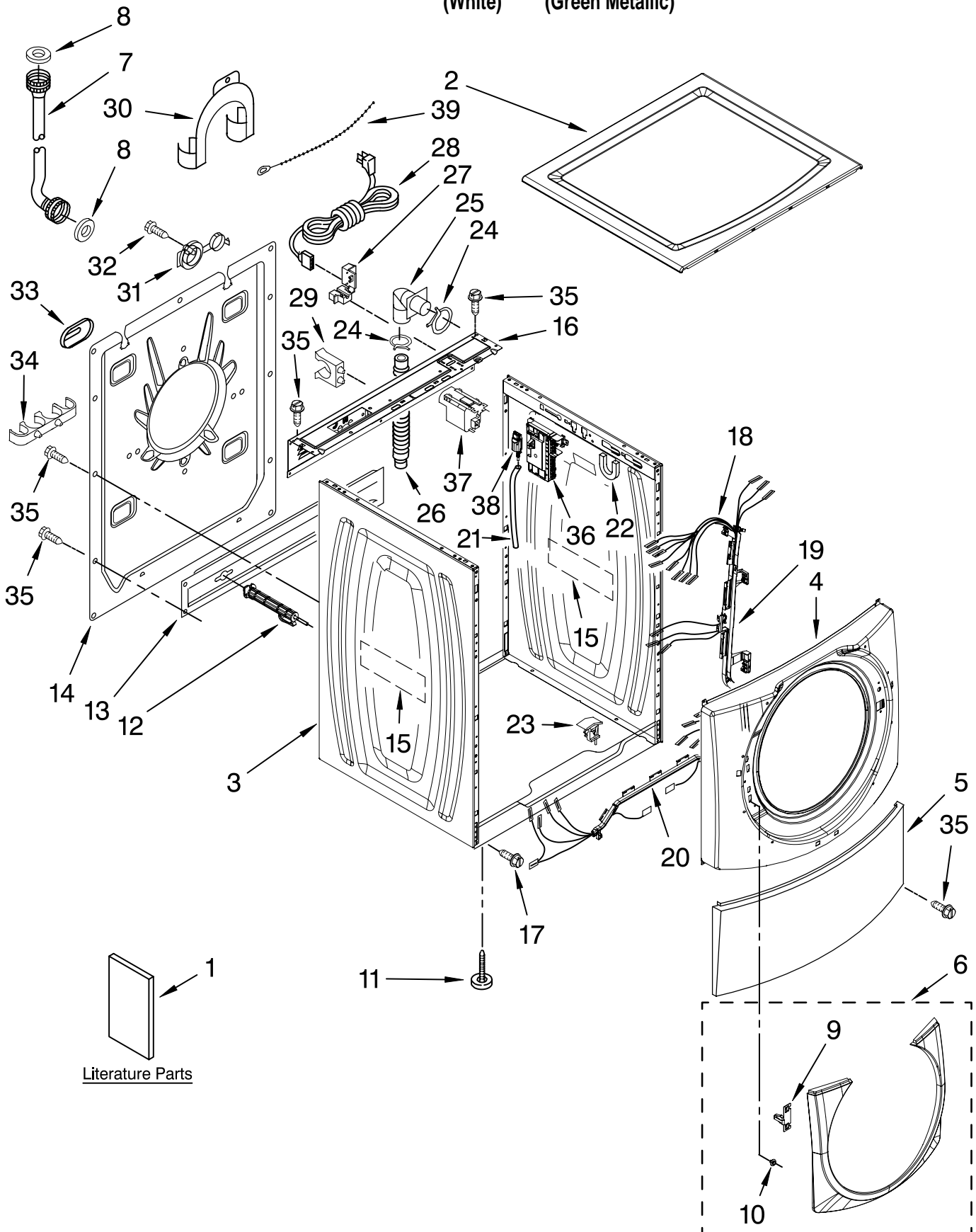


TOP AND CABINET PARTS

For Models: MHWE500VW00, MHWE500VP00
(White) (Green Metallic)

AUTOMATIC
WASHER



FOR ORDERING INFORMATION REFER TO PARTS PRICE LIST

TOP AND CABINET PARTS

For Models: MHWE500VW00, MHWE500VP00

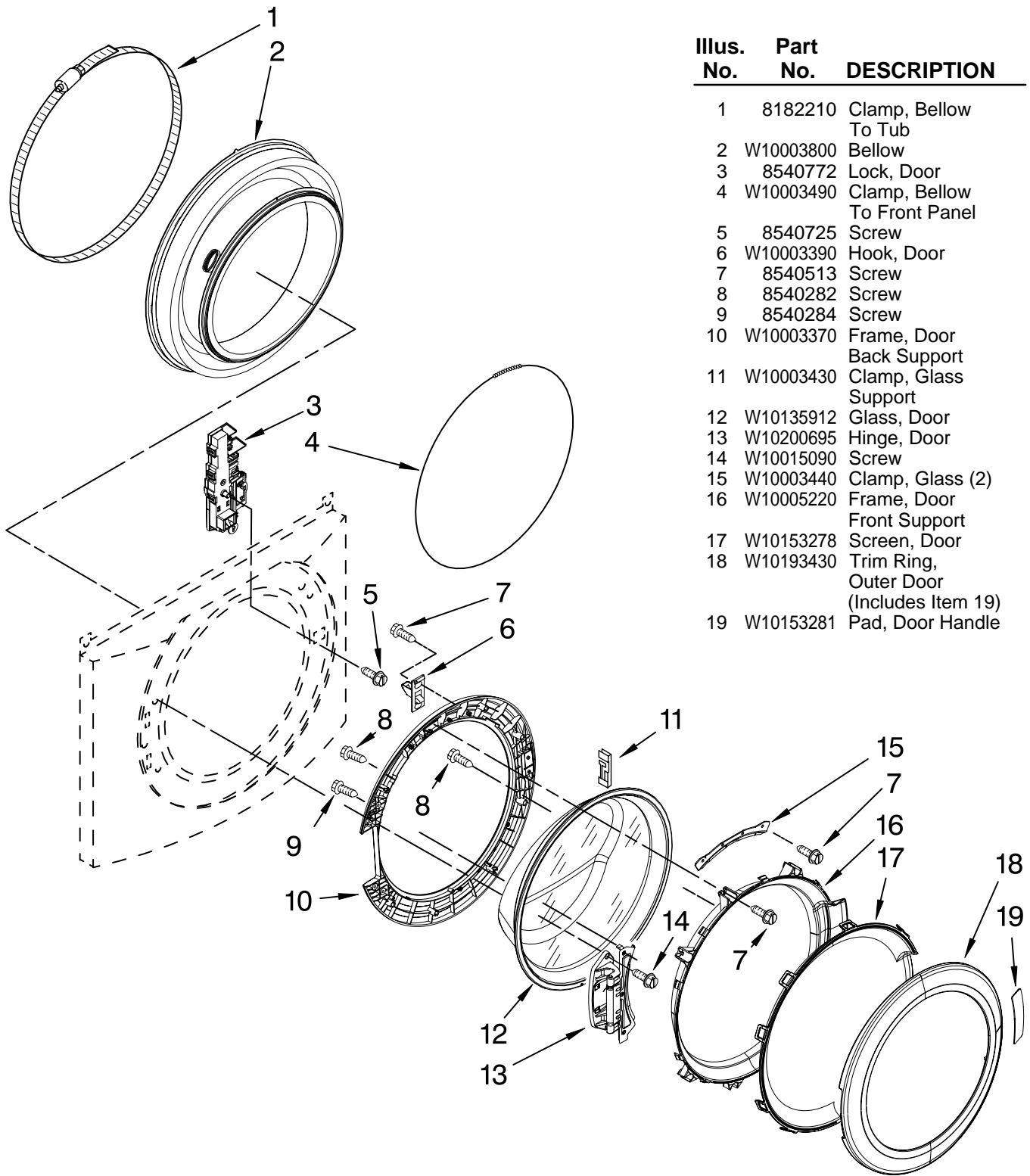
(White) (Green Metallic)

Illus. No.	Part No.	DESCRIPTION	Illus. No.	Part No.	DESCRIPTION	Illus. No.	Part No.	DESCRIPTION
1		Literature Parts	8	16123	Washer, Water	23	8540210	Microswitch (2)
	W10176966	Use & Care Guide			Inlet Hose (4)	24	356138	Clamp, Hose
	W10176957	Tech Sheet	9	W10112671	Clip, Trim–Metal	25	W10003260	Connector, Drain Hose
	W10133488	Quick Start Guide	10	W10029650	Clip, Trim	26	W10003280	Hose, Drain (Outer)
	W10176958	Energy Guide	11	W10064810	Foot, Leveling	27	W10110676	Strain Relief
2		Top	12		Bolt, Shipping	28	W10110674	Cord, Power
	W10003900	White		W10003340	Upper	29	W10022290	Clip, Outer Hose Holder
	W10191381	Green		W10003350	Lower	30	8540021	U–Bend, Drain Hose
3		Cabinet	13	W10003040	Brace, Transport	31	8540728	Sleeve, Cord Support (2)
	W10171708	White	14	W10003030	Panel, Rear	32	8540727	Screw, 3 x 8 mm
	W10176850	Green	15	3976348	Absorber, Sound	33	8540268	Cover, Transport
4		Panel, Front	16	W10110677	Brace, Rear	34	W10003270	Clip, Outer Hose Holder
	W10157475	White	17	8540479	Screw, Grounding	35	W10015090	Screw, 8–18 x 5/8
	W10176906	Green	18	W10167287	Harness, Wiring (Lower Main) (Includes Items 19 & 20)	36	W10156258	Control Board, Expansion
5		Toe Panel	19	W10003460	Channel, Harness (Side)	37	8540230	Filter Interference
	W10003640	White	20	W10131757	Channel, Harness (Bottom)	38	W10249845	Switch, Analog Pressure Sensor
	W10191380	Green	21	W10004260	Hose, Pressure Switch	39	3347868	Cable Tie
6		Ring, Trim	22	W10008890	Bracket, Spring			
	W10182998	White						
	W10190646	Green						
7		Hose, Water Inlet						
	8571377	Blue Coupler						
	8571378	Red Coupler						

FOR ORDERING INFORMATION REFER TO PARTS PRICE LIST

DOOR AND LATCH PARTS

For Models: MHWE500VW00, MHWE500VP00
(White) (Green Metallic)

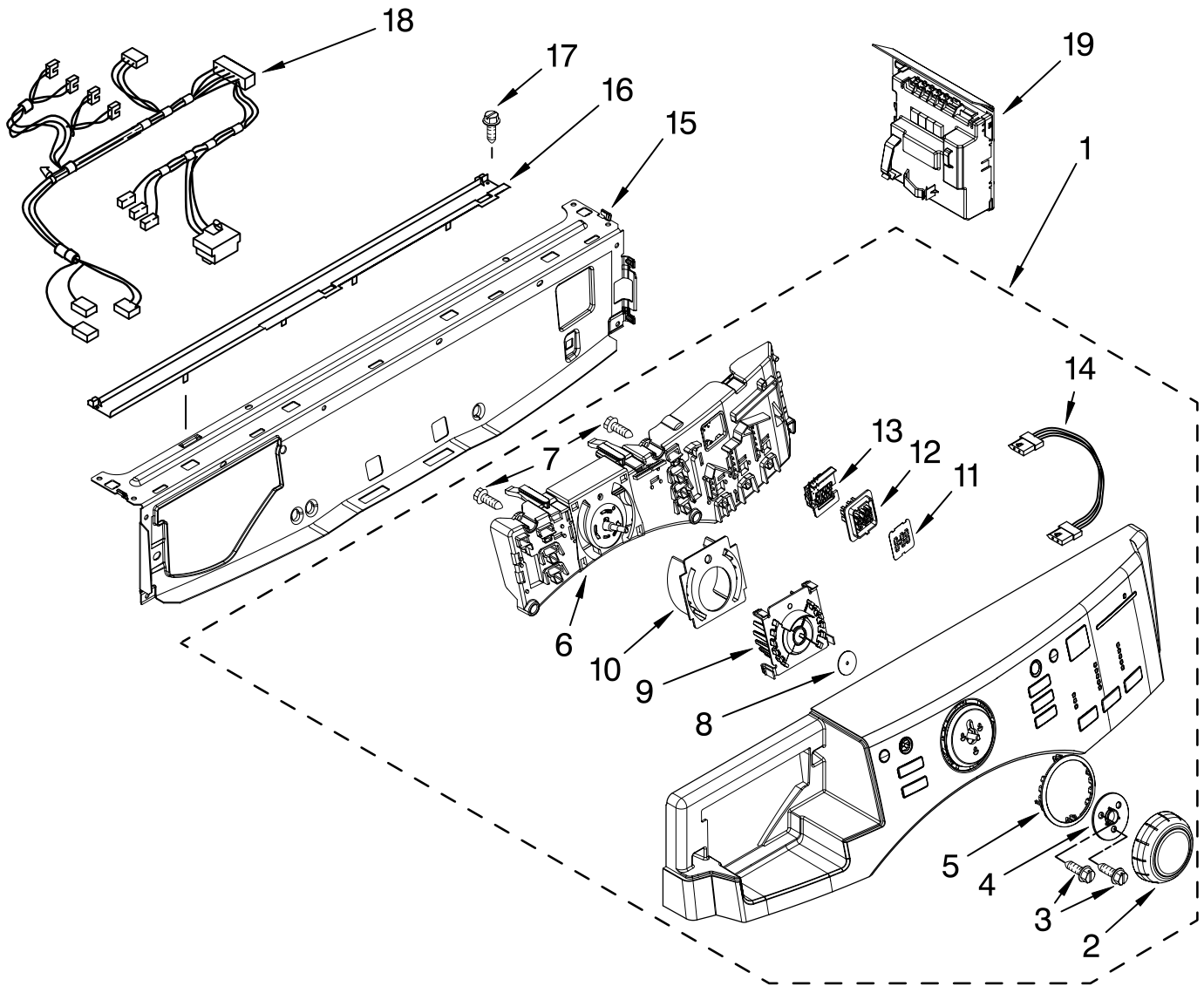


Illus. No.	Part No.	DESCRIPTION
1	8182210	Clamp, Bellow To Tub
2	W10003800	Bellow
3	8540772	Lock, Door
4	W10003490	Clamp, Bellow To Front Panel
5	8540725	Screw
6	W10003390	Hook, Door
7	8540513	Screw
8	8540282	Screw
9	8540284	Screw
10	W10003370	Frame, Door Back Support
11	W10003430	Clamp, Glass Support
12	W10135912	Glass, Door
13	W10200695	Hinge, Door
14	W10015090	Screw
15	W10003440	Clamp, Glass (2)
16	W10005220	Frame, Door Front Support
17	W10153278	Screen, Door
18	W10193430	Trim Ring, Outer Door (Includes Item 19)
19	W10153281	Pad, Door Handle

FOR ORDERING INFORMATION REFER TO PARTS PRICE LIST

CONTROL PANEL PARTS

For Models: MHWE500VW00, MHWE500VP00
(White) (Green Metallic)



Illus. No.	Part No.	DESCRIPTION
1	W10176642 White W10176643 Green	Panel, Control
2	W10164576	Knob, Control
3	8540513	Screw
4	W10172298	Bushing, Knob
5	W10164567	Light Guide, Cycle
6	W10164541	User Interface,
7	8540282	Screw

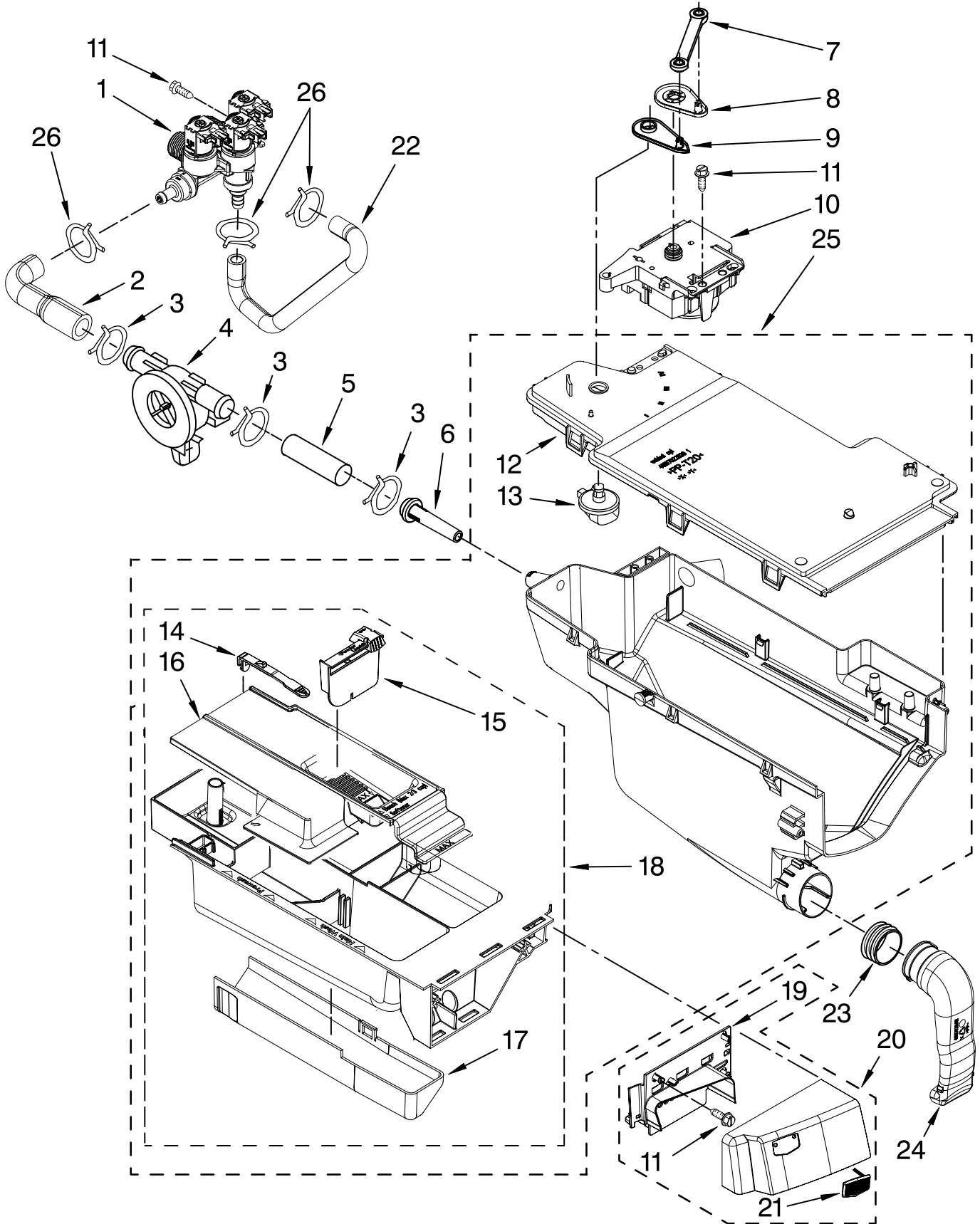
Illus. No.	Part No.	DESCRIPTION
8	8572039	Seal, User Interface
9	W10170293	Light Guide – Cycle, Internal
10	W10170295	Frame, Light Guide
11	W10171504	Foil – Display
12	W10164578	Light Guide – 3 Digit Display
13	W10171502	Frame – Light Guide Display

Illus. No.	Part No.	DESCRIPTION
14	W10167292	Harness, Wiring (User Interface)
15	W10059240	Brace, Front Top
16	W10003700	Channel, Water
17	W10015090	Screw
18	W10167278	Harness, Wiring (Upper Main)
19	W10175764	Microcomputer, Machine Control

FOR ORDERING INFORMATION REFER TO PARTS PRICE LIST

DISPENSER PARTS

For Models: MHWE500VW00, MHWE500VP00
(White) (Green Metallic)



FOR ORDERING INFORMATION REFER TO PARTS PRICE LIST

DISPENSER PARTS

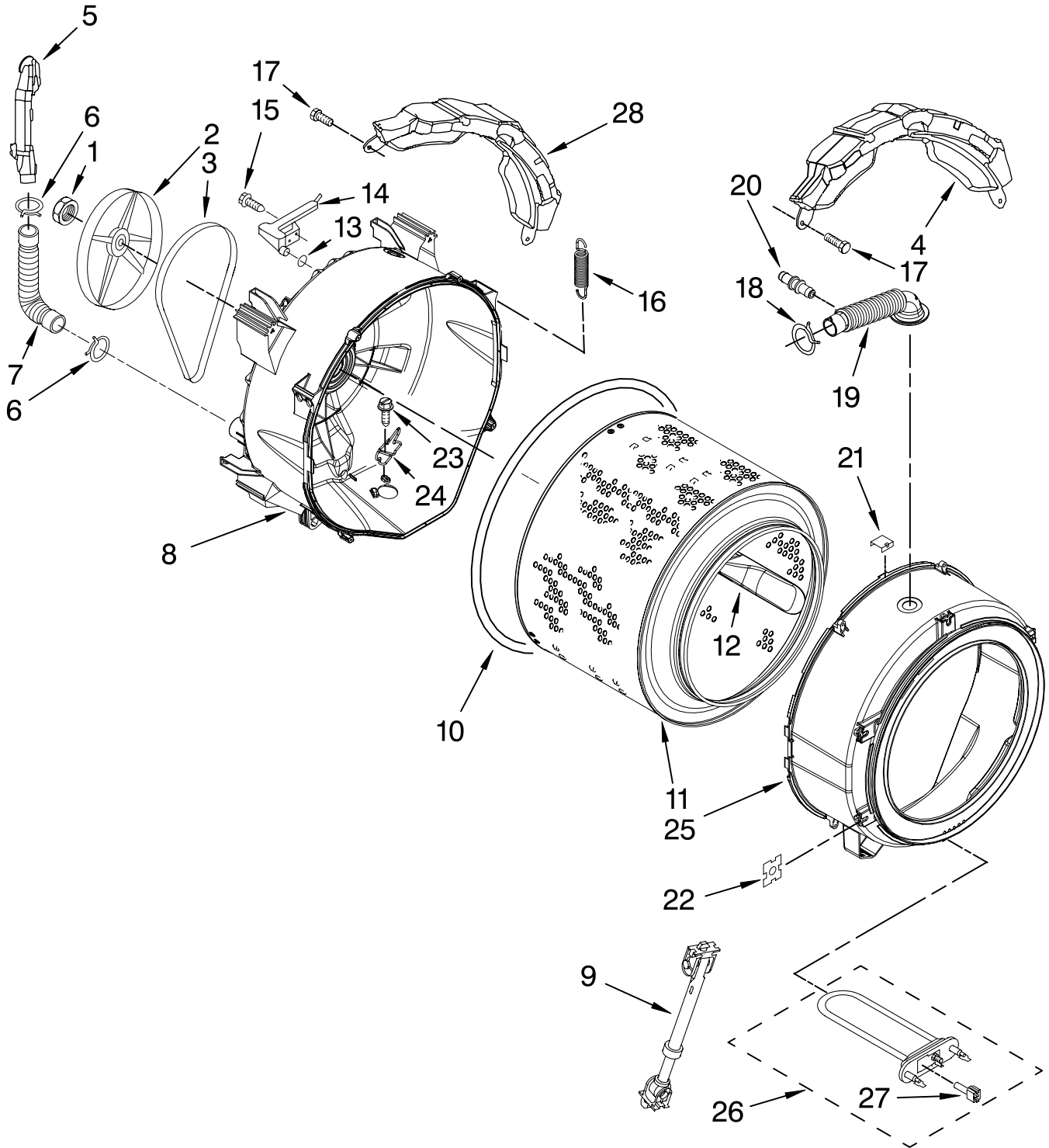
For Models: MHWE500VW00, MHWE500VP00
(White) (Green Metallic)

Illus. No.	Part No.	DESCRIPTION
1	W10156253	Valve, Inlet
2	8183182	Hose, Flowmeter (L-Shaped)
3	370450	Clamp
4	W10110225	Flowmeter
5	8183180	Hose, Inlet Nozzle
6	8540042	Nozzle, Inlet
7	W10003830	Lever, Connection
8	W10003190	Cam, Actuator
9	W10003180	Lever, Water Distribution
10	W10163975	Actuator
11	8540282	Screw
12	W10005080	Plate, Distribution
13	W10003110	Nozzle, Distribution
14	W10003170	Hook, Drawer
15	W10015200	Separator, With Selection Slider
16	W10003150	Siphon, Bleach/Softener
17	W10003140	Cover, Detergent Drawer
18	W10015190	Drawer, Detergent (Complete)
19		Bracket, Handle Fixation
	W10153277	White
	W10190551	Green
20		Handle, Drawer
	W10193815	White
	W10189240	Green
21	W10177245	Medallion
22	W10156131	Hose, Inlet Valve To Steamer Siphon
23	W10003360	Seal
24	W10005300	Tube, Dispenser To Bellow
25	W10074160	Dispenser, Complete (Includes Item 9)
26	8181754	Clamp, Hose

FOR ORDERING INFORMATION REFER TO PARTS PRICE LIST

TUB AND BASKET PARTS

For Models: MHWE500VW00, MHWE500VP00
(White) (Green Metallic)



FOR ORDERING INFORMATION REFER TO PARTS PRICE LIST

TUB AND BASKET PARTS

For Models: MHWE500VW00, MHWE500VP00
(White) (Green Metallic)

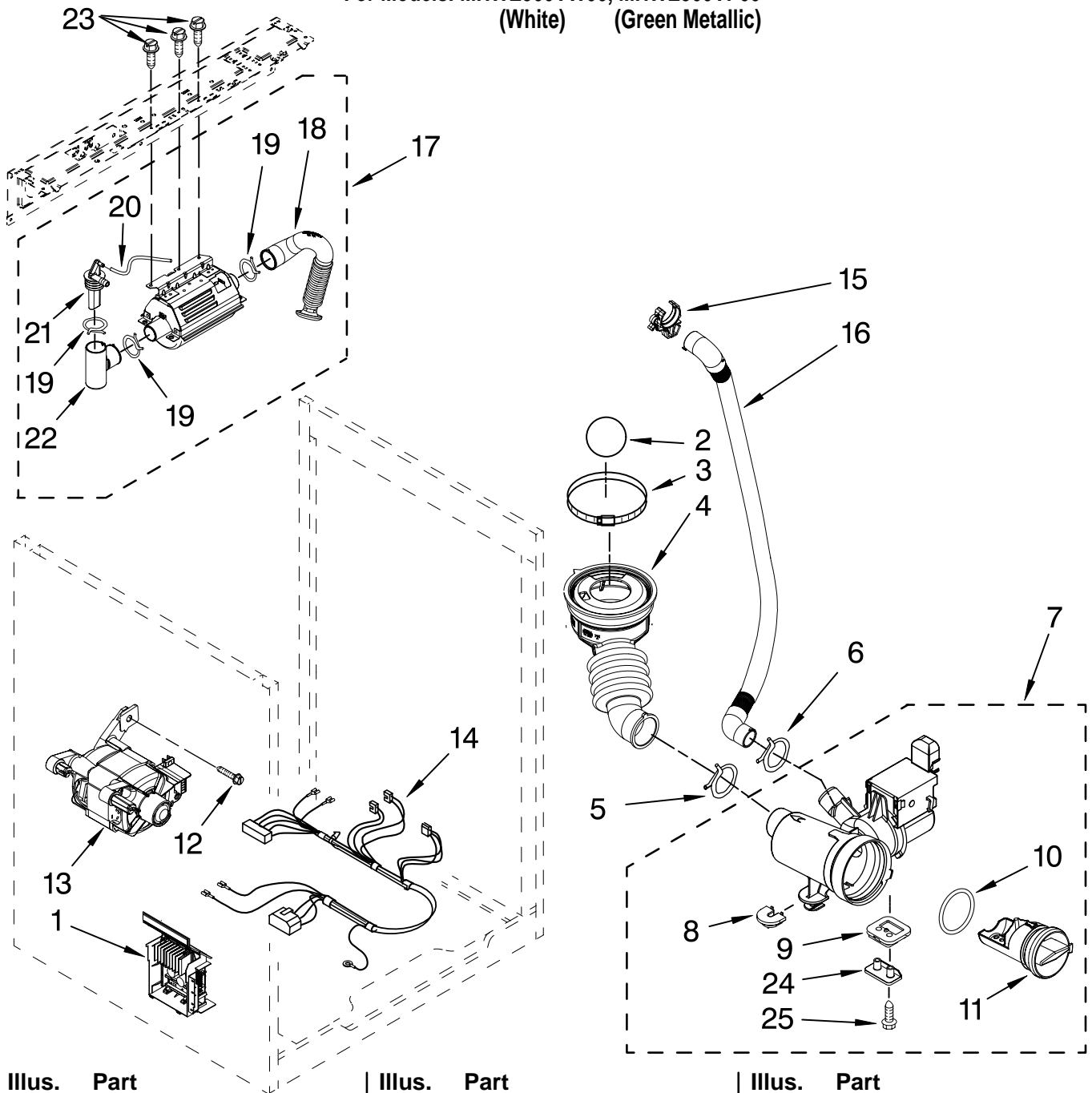
Illus.	Part	
No.	No.	DESCRIPTION
1	8533999	Nut, Pulley
2	W10003730	Pulley
3	W10116215	Belt
4	W10008880	Counterweight Front (2)
5	W10003500	Pipe, Ventilation
6	8540010	Clamp
7	W10004330	Hose, Exhaust
8	W10165398	Tub, Rear (Includes Items 10, 22, 23 & 24)
9	W10015830	Shock Absorber (4)
10	W10036350	Gasket, Tub
11	W10040480	Basket
12	W10002770	Baffle, Tub
13	W10004270	O-Ring
14	W10003600	Airtrap
15	8540513	Screw
16	W10127411	Spring, Suspension (Set Of 2)
17	W10094780	Bolt, Counterweight Mtg.
18	3363365	Clamp, Hose
19	W10156130	Hose, Exhaust
20	W10156249	Connector, Overflow Hose
21	8540092	Clamp, Tub
22	8540072	Nut, Push-In
23	8540880	Screw
24	W10015240	Clamp, Heating Element
25	W10004180	Tub, Front (Includes Items 10 & 22)
26	W10155115	Element, Heating
27	8540226	NTC
28	W10008870	Counterweight, Rear

FOR ORDERING INFORMATION REFER TO PARTS PRICE LIST

STEAMER, PUMP AND MOTOR PARTS

For Models: MHWE500VW00, MHWE500VP00

(White) (Green Metallic)



Illus. No.	Part No.	DESCRIPTION
1	W10015480	Motor Control Unit
2	W10003330	Ball
3	8540008	Clamp
4	W10003240	Hose, Tub to Pump
5	370448	Clamp
6	356138	Clamp
7	W10117829	Pump (Complete)
8	W10034820	Foot, Rubber (Slider)
9	W10034830	Foot, Rubber (Lock)

Illus. No.	Part No.	DESCRIPTION
10	8540025	Seal, Filter Cap
11	8540996	Cap, Filter
12	8540134	Bolt, Motor
13	W10140583	Motor
14	W10004420	Harness, Motor
15	W10003290	Retainer, Drain Hose
16	W10003250	Drain Hose (Inner)
17	W10172726	Steamer, Complete Assembly (Includes Item 20 on Page 7)

Illus. No.	Part No.	DESCRIPTION
18	W10156132	Hose, Steamer/Tub
19	W10156063	Clamp, Hose (3)
20	W10156133	Hose, Overflow
21	W10156250	Cap, Siphon
22	W10156251	Tank, Siphon
23	W10015090	Screw, 8-18 x 5/8
24	8540033	Cap, Lock Foot
25	8533964	Screw, 10-16 x 1.25 (2)

FOR ORDERING INFORMATION REFER TO PARTS PRICE LIST

OPTIONAL PARTS (NOT INCLUDED)

For Models: MHWE500VW00, MHWE500VP00
(White) (Green Metallic)

Illus.	Part	
No.	No.	DESCRIPTION

PAINT, TOUCH-UP (1/2oz.)

72017	White
W10218248	Emerald Green Metallic
W10218249	Evergreen Gloss

ACCESSORY PARTS

285863	Drain Extension
4396899	Rear Guard
38005	Stack Kit
W10135699	Affresh Odor Remover