

STACKED DRYER

Repair Parts List

MODEL NUMBER
MLG23MNAWW

When requesting service or ordering parts, always provide the following information:

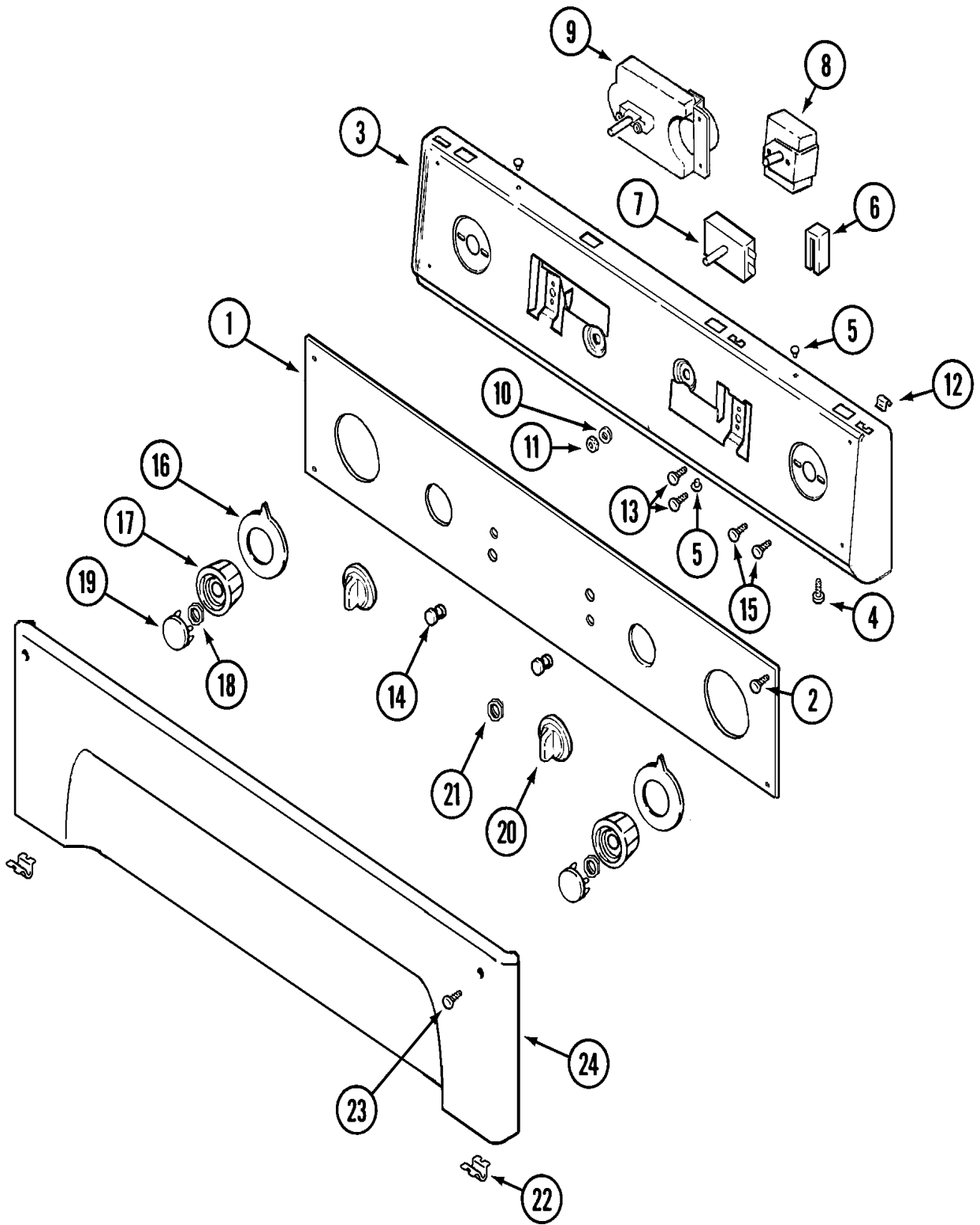
- Product Type
- Part Number
- Model Number
- Part Description

MAYTAG®

©2005 Maytag Services

Section: CONTROL PANEL (UPPER)

Model: MLG23MNAWW



LD11-74

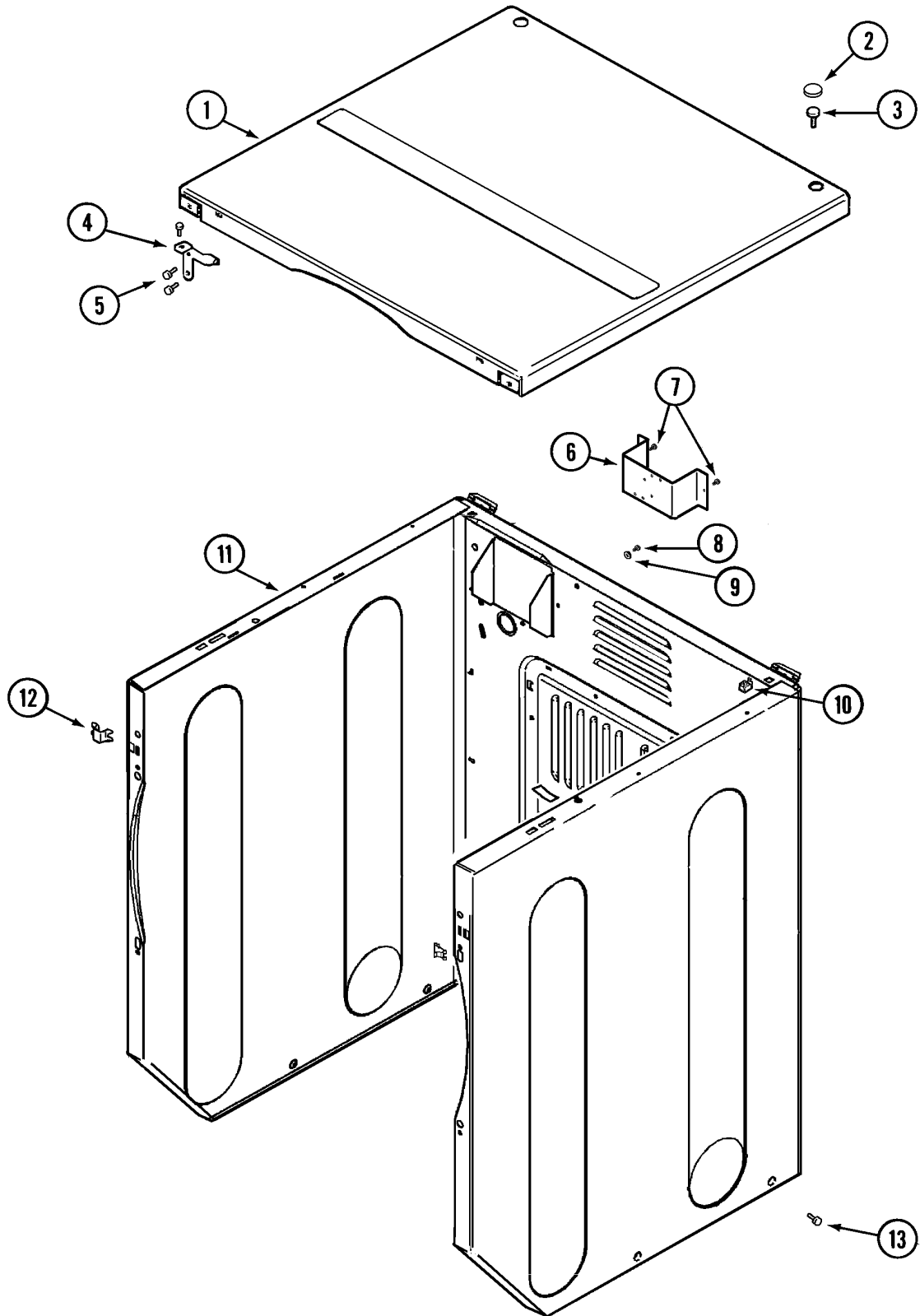
Section: CONTROL PANEL (UPPER)

No.	Part No.	Description	Series	Qty
1	33002070	OVERLAY, CONTROL PANEL	10	1
2	215506	SCREW, TORX Note: SCREW, CONTROL PANEL OVERLAY	10	4
3	33002071	PANEL, CONTROL (WHT)	10	1
-	33002003	FASTENER CLIP, CONTROL PANEL	10	2
4	215506	SCREW, TORX Note: SCREW, CONTROL PANEL	10	2
5	33001132	PLUG, SIGHT HOLE (WHT)	10	4
6	204075	LIGHT, INDICATOR Note: LAMP, CONTROL PANEL	10	2
7	306940	SWITCH, PUSH-TO-START	10	2
8	307253	SWITCH CYCLE SEL Note: SWITCH, CYCLE SELECTOR	10	2
9	307296	TIMER RPR	10	2
10	312751	LOCK WASHER Note: WASHER, LOCK	10	2
11	312706	HEX NUT ON SWITCH Note: NUT, PUSH TO START SWITCH	10	2
12	33001977	FASTENER, CONTROL PANEL	10	2
13	313588	SCREW Note: SCREW, SELECTOR SWITCH	10	4
14	215564	LENS, INDICATOR (AMBER) Note: LENS, INDICATOR	10	2
15	313588	SCREW Note: SCREW, TIMER	10	4
16	33001500	SKIRT, DIAL	10	2
17	314724	KNOB FOR TIMER Note: KNOB, CONTROL	10	2
18	312273	NUT Note: NUT, CONTROL KNOB	10	2
19	314723	CAP FOR TIMER KNOB Note: CAP, KNOB	10	2
20	205663	KNOB FOR SELECTOR SWITCH Note: KNOB, CYCLE SELECTOR	10	2
21	312702	KNURLED NUT Note: NUT, PUSH TO START SWITCH	10	2
22	33001980	CLIP, ACCESS PANEL Note: FASTENER, ACCESS PANEL	10	2
23	215506	SCREW, TORX Note: SCREW, ACCESS PANEL	10	2
24	33002072	PANEL, ACCESS (WHT) Note: PANEL, ACCESS (WHT)	10	1
-	33002084	WIRE HARNESS, MAIN (UPR)	10	1

*Color Code (-)=Not Shown #=Series, Serial Prefix or Run No., N=Not Available

Section: CABINET-FRONT (UPPER)

Model: MLG23MNAWW



LD12-26

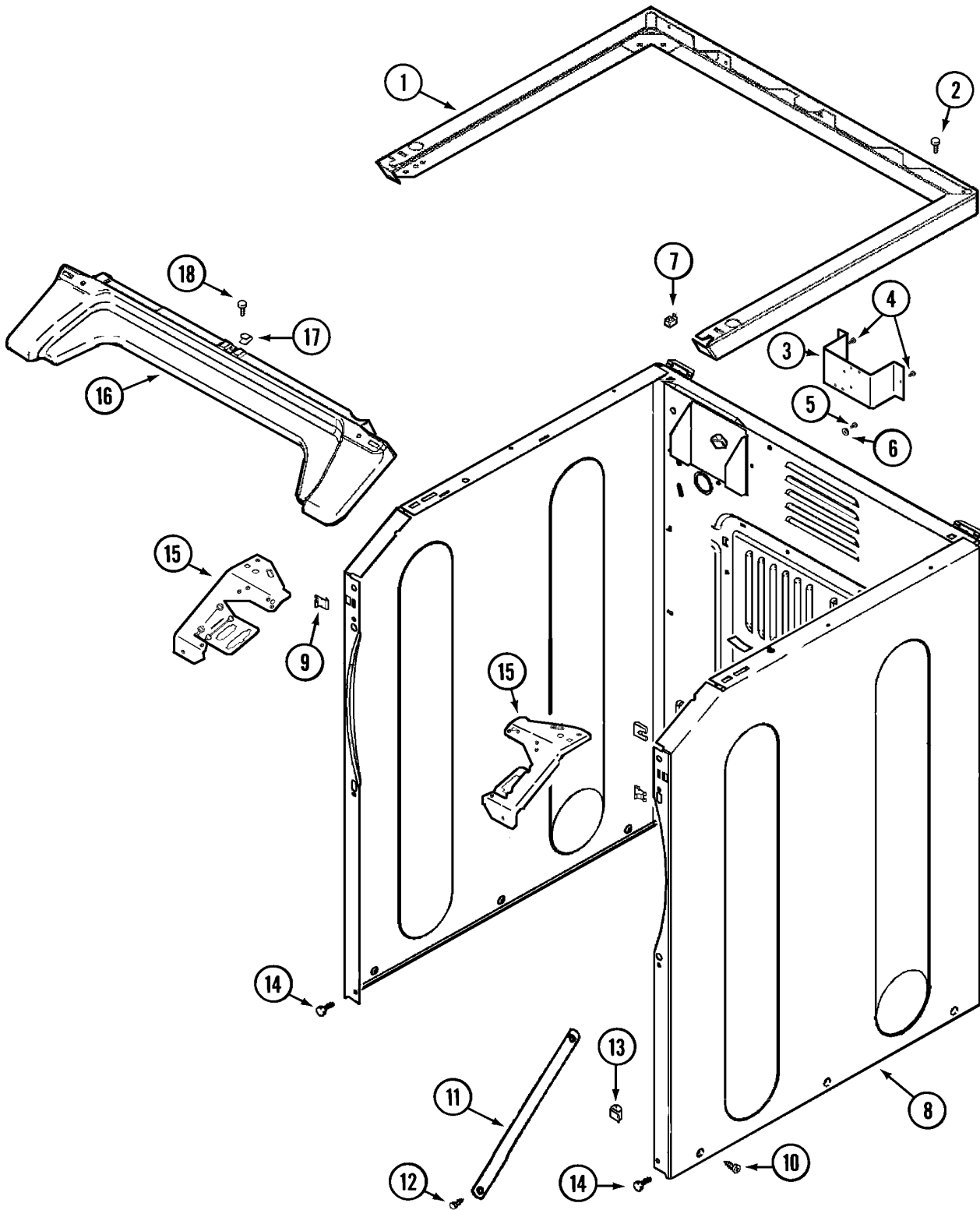
Section: CABINET-FRONT (UPPER)

No.	Part No.	Description	Series	Qty
1	33001995	COVER, TOP (WHT)	10	1
2	33001997	PLUG, HOLE	10	1
3	22001883	SCREW Note: SCREW, TOP COVER	10	2
4	33001998	BRACKET, TOP COVER (LT)	10	1
4	33001999	BRACKET, TOP COVER (RT) Note: BRACKET, TOP COVER (RT)	10	1
5	22001995	SCREW Note: SCREW, TOP COVER BRACKET	10	6
6	N 33001826	BRACKET, TERMINAL BLOCK----NA	10	1
7	22001995	SCREW Note: SCREW, TERMINAL BLOCK BRACKET	10	2
8	N 33001245	SCREW----NA Note: SCREW, GROUND LUG	10	1
9	N 313363	WASHER Note: WASHER, GROUND LUG	10	1
10	22001502	FASTENER, U-NUT	10	2
11	22003645	CABINET ASSY. (WHT AS PK)	10	1
12	33001980	CLIP, ACCESS PANEL	10	2
13	213007	SCREW, CABINET	10	6

*Color Code (-)=Not Shown #=Series, Serial Prefix or Run No., N=Not Available

Section: CABINET-FRONT (LOWER)

Model: MLG23MNAWW



LD12-29

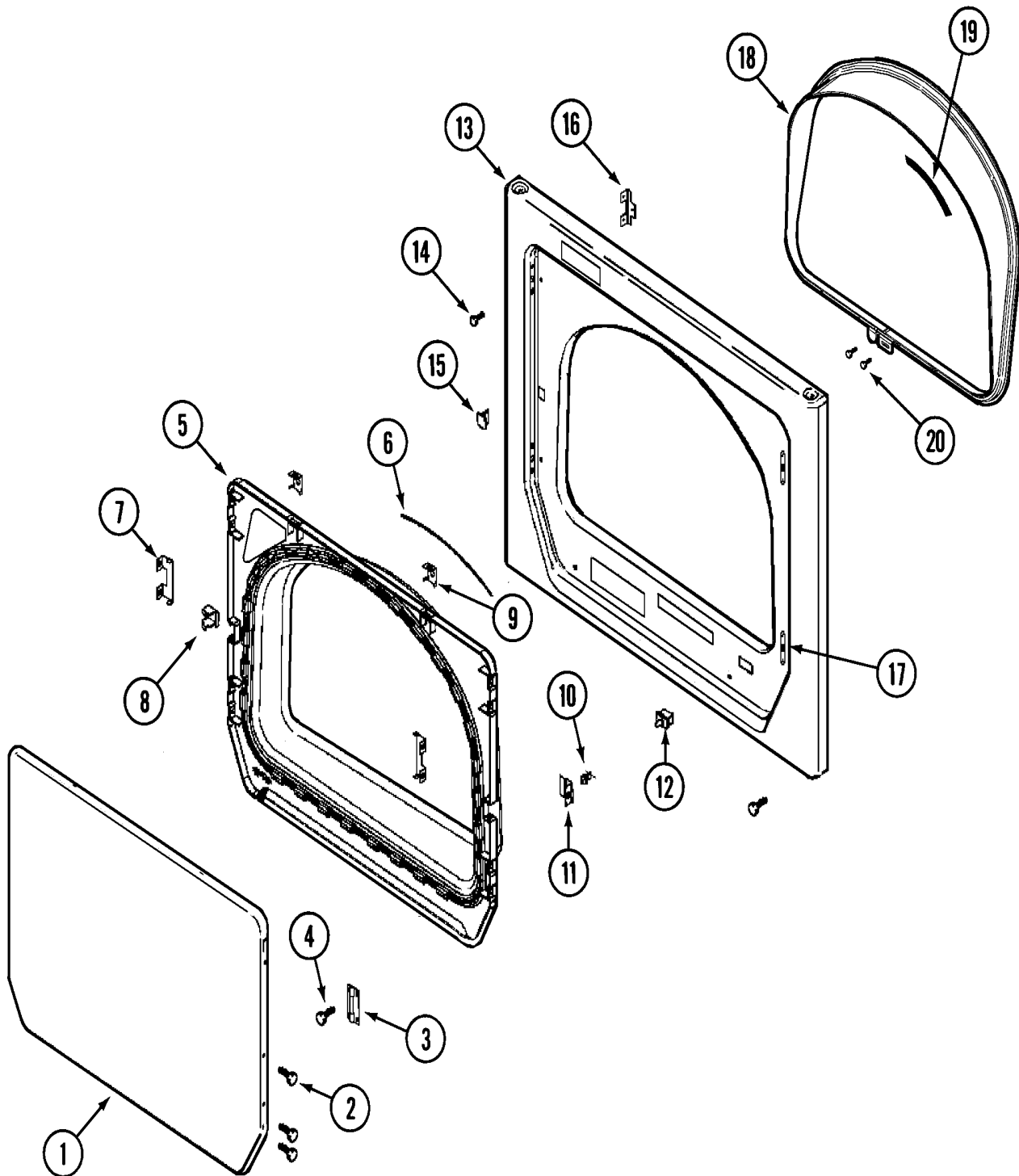
Section: CABINET-FRONT (LOWER)

No.	Part No.	Description	Series	Qty
1	33002005	SUPPORT (WHT)	10	1
2	22001883	SCREW Note: SCREW, SUPPORT	10	4
3	N 33001826	BRACKET, TERMINAL BLOCK----NA	10	1
4	22001995	SCREW Note: SCREW, TERMINAL BLOCK BRACKET	10	2
5	N 33001245	SCREW----NA Note: SCREW, GROUND LUG	10	1
7	22001502	FASTENER, U-NUT	10	2
8	22003639	CABINET ASSY. (WHT AS PK)	10	1
9	22002049	CLIP Note: CLIP, FRONT PANEL	10	2
10	213007	SCREW, CABINET	10	6
11	22002259	BRACE, CROSS	10	2
12	22001995	SCREW Note: SCREW, CROSS BRACE	10	2
13	310376	CLIP, WIRE HARNESS	10	1
14	22001995	SCREW Note: SCREW, CABINET	10	2
15	33002009	BRACKET, CORNER (LT)	10	1
15	33002010	BRACKET, CORNER (RT) Note: (RT)	10	1
16	33002011	COVER, ACCESS (WHT)	10	1
17	33002013	FASTENER CLIP, ACCESS COVER Note: FASTENER, ACCESS COVER	10	1
18	22001995	SCREW Note: SCREW, ACCESS COVER	10	1
-	33001989	RETAINER, WIRE Note: RETAINER, WIRE HARNESS	10	2
-	33002085	WIRE HARNESS, MAIN	10	1

*Color Code (-)=Not Shown #=Series, Serial Prefix or Run No., N=Not Available

Section: DOOR (UPPER)

Model: MLG23MNAWW



LD17-13

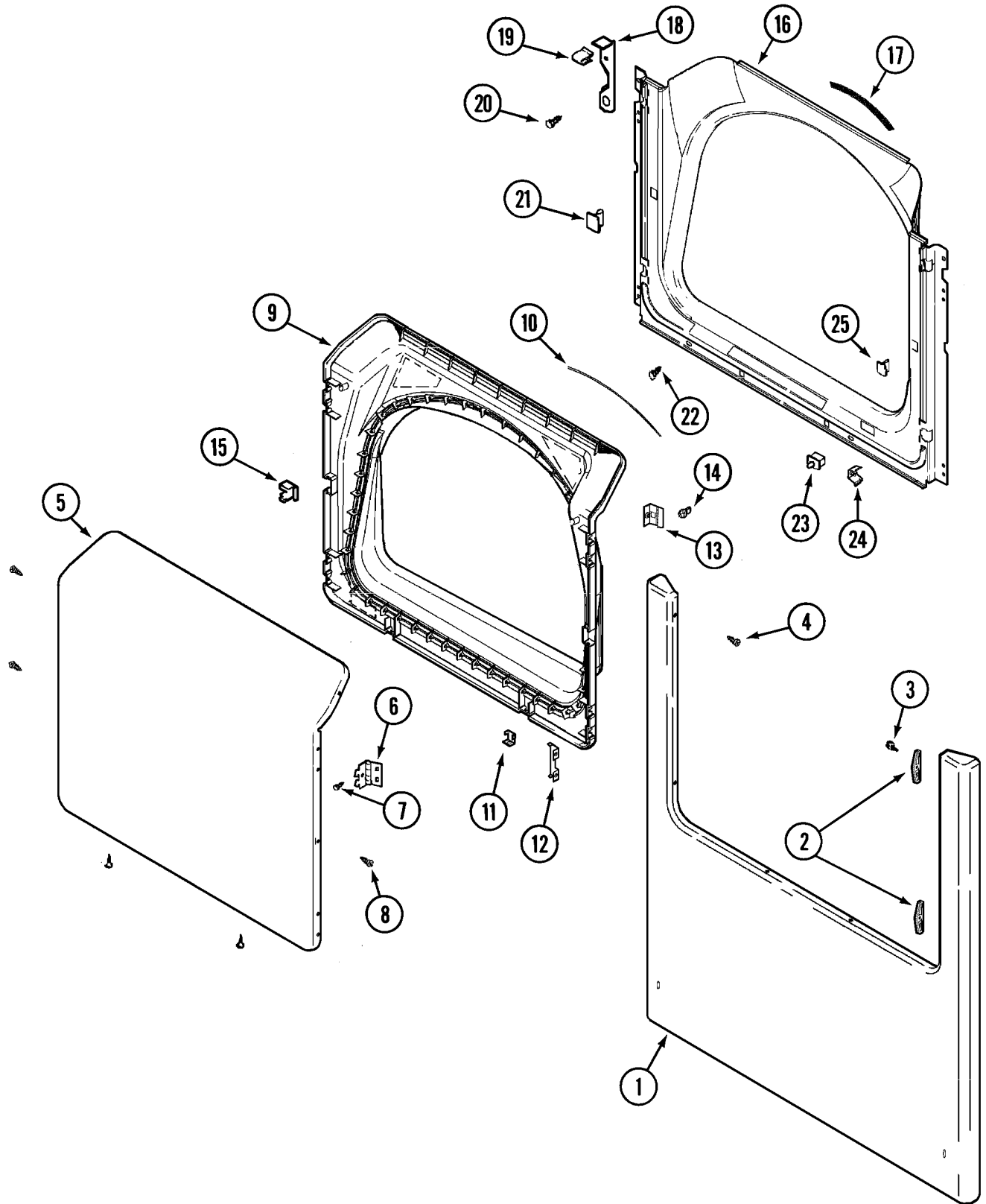
Section: DOOR (UPPER)

No.	Part No.	Description	Series	Qty
-	22003785	DOOR, OUTER (WHT)	10	1
2	22002063	SCREW #8-18AB WAFER HD	10	8
3	33002017	HINGE, DOOR	10	2
4	22002062	SCREW Note: SCREW, HINGE	10	4
5	33002544	DOOR, INNER W/SEAL (WHT)	10	1
6	33002094	SEAL, DOOR	10	1
7	22002038	CLIP, DOOR (DOUBLE)	10	4
8	33001763	PLUG, INNER DOOR	10	1
9	22002039	CLIP, DOOR (SINGLE) Note: CLIP, INNER DOOR	10	2
10	33001761	STRIKE, DOOR (MALE)	10	1
11	33001793	BRACKET, STRIKE	10	1
12	33001509	SWITCH, DOOR	10	1
-	33002051	SCREW, TORX Note: SCREW, FRONT PANEL	10	2
13	33002081	PANEL, FRONT (WHT-UPR)	10	1
-	33001711	NAMEPLATE	10	1
14	33001486	PANEL, FASTENER	10	4
15	33001791	CATCH, DOOR (W/PLUG)	10	1
16	33002025	TWIN SPEEDNUT	10	4
17	33001175	COVER, HINGE HOLE (WHT)	10	2
18	33002026	EXTENSION, TUMBLER FRONT	10	1
19	33001767	SEAL, SHROUD	10	1
20	33001855	SCREW (HEX HEAD) Note: SCREW, TUMBLER FRONT EXTENSION	10	2

*Color Code (-)=Not Shown #=Series, Serial Prefix or Run No., N=Not Available

Section: DOOR (LOWER)

Model: MLG23MNAWW



LD17-14

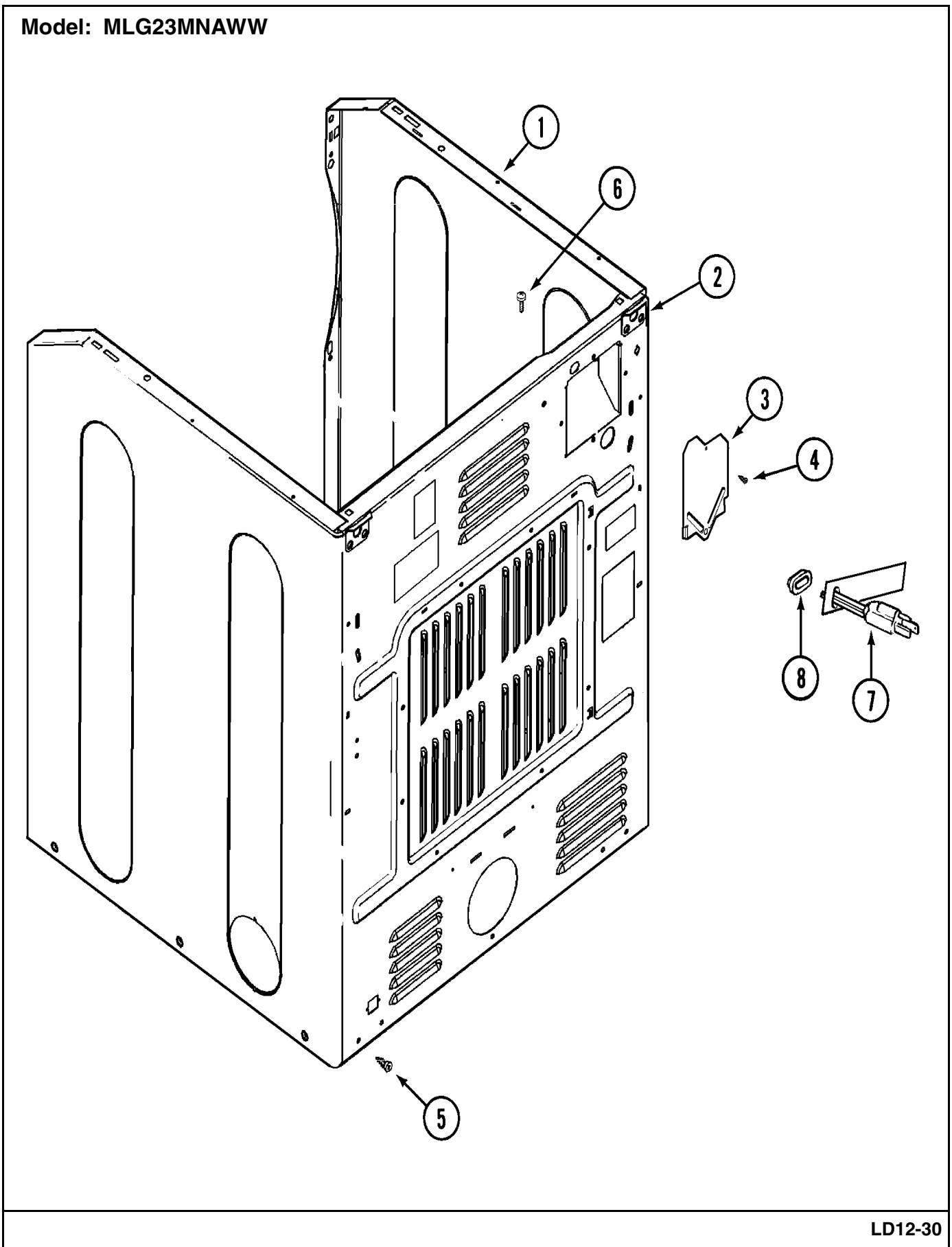
Section: DOOR (LOWER)

No.	Part No.	Description	Series	Qty
1	22002241	PANEL, FRONT (WHT)	10	1
2	33001764	COVER, HINGE HOLE (WHT)	10	2
3	33001846	SCREW Note: SCREW, HINGE HOLE COVER	10	2
4	22002243	SCREW Note: SCREW, HINGE	10	2
5	22001979	DOOR, OUTER (WHT-W/DAMPER)	10	1
6	33001759	HINGE, DOOR	10	2
7	22002062	SCREW	10	4
8	22002063	SCREW #8-18AB WAFER HD	10	8
9	33001750	DOOR, INNER/ W SEAL (WHT)	10	1
10	33002094	SEAL, DOOR	10	1
11	22002039	CLIP, DOOR (SINGLE) Note: CLIP, INNER DOOR	10	2
12	22002038	CLIP, DOOR (DOUBLE)	10	4
13	33001793	BRACKET, STRIKE	10	1
14	33001761	STRIKE, DOOR (MALE)	10	1
15	33001763	PLUG, INNER DOOR	10	1
16	33001778	SHROUD (WHT)	10	1
17	33001767	SEAL, SHROUD	10	1
18	22002991	KIT, ACCESS COVER HOOK	10	1
19	33002037	FASTENER, ACCESS COVER HOOK	10	2
20	22001995	SCREW Note: SCREW, TUMBLER FRONT	10	10
21	33001791	CATCH, DOOR (W/PLUG)	10	1
22	33001768	SCREW, SHROUD	10	2
23	33001509	SWITCH, DOOR	10	1
24	33001760	BRACKET, HINGE	10	4
25	304578	CATCH, DOOR (FEMALE)	10	1

*Color Code (-)=Not Shown #=Series, Serial Prefix or Run No., N=Not Available

Section: CABINET-REAR

Model: MLG23MNAWW



LD12-30

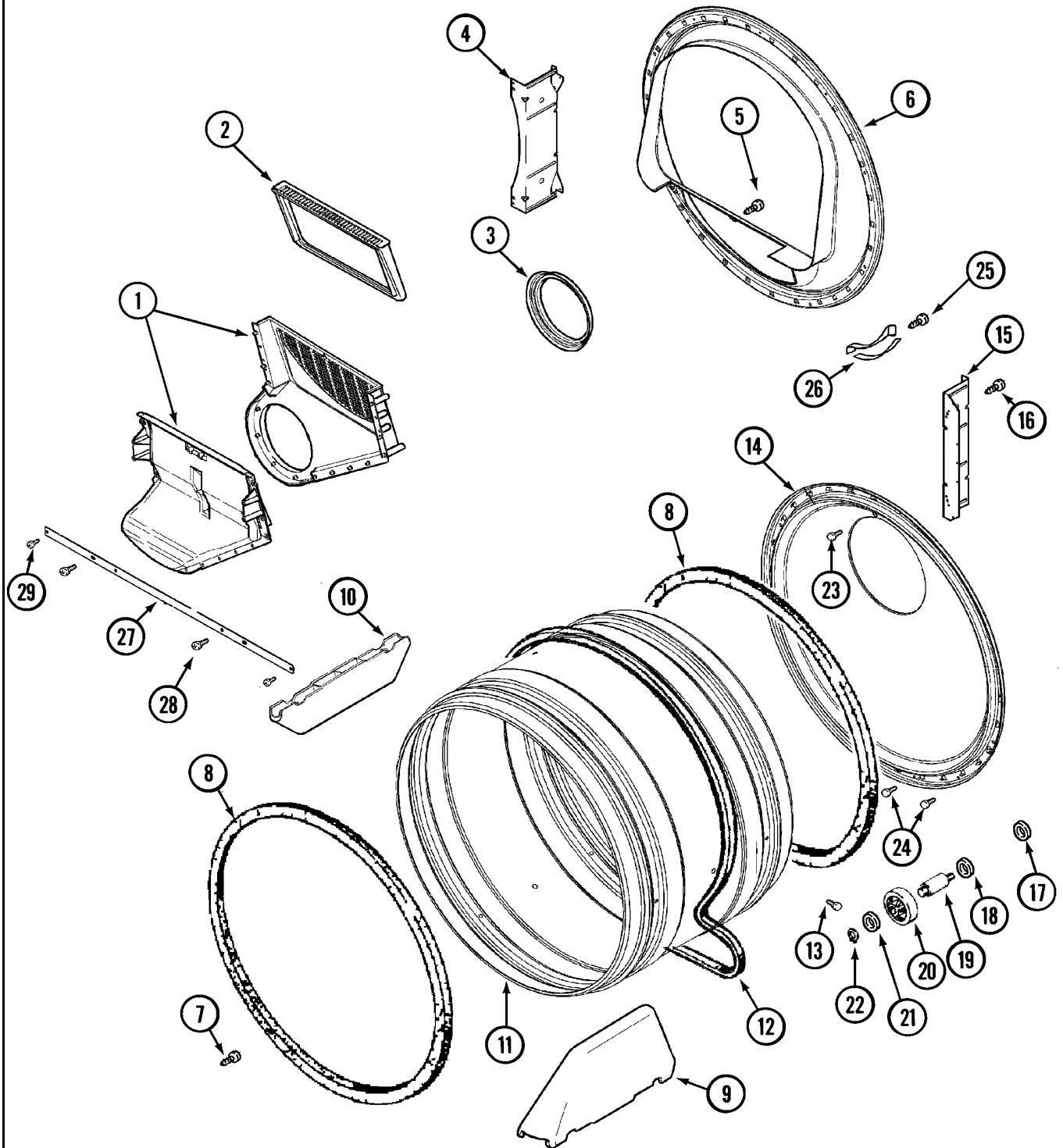
Section: CABINET-REAR

No.	Part No.	Description	Series	Qty
-	N 215950	PLUG, HOLE Note: PLUG, HOLE (LWR)	10	1
1	33002000	CABINET (WHT) Note: CABINET (WHT-UPR)	10	1
1	33001843	CABINET (WHT) Note: CABINET (WHT-LWR)	10	1
2	N 33001827	BRACKET, CABINET HINGE Note: BRACKET, CABINET HINGE (LWR)	10	2
3	33001795	COVER, TERMINAL BLOCK	10	2
4	22001995	SCREW Note: SCREW, TERMINAL COVER	10	2
5	22001995	SCREW Note: SCREW, CABINET BACK	10	4
6	210186	SCREW, GROUND WIRE TO BASE--NA Note: SCREW, GROUND WIRE	10	2
7	208784	CORD, POWER Note: CORD, POWER (LWR)	10	1
7	22001178	CORD, POWER Note: CORD, POWER (UPR)	10	1
8	33002053	GROMMET, CORD	10	2

*Color Code (-)=Not Shown #=Series, Serial Prefix or Run No., N=Not Available

Section: TUMBLER

Model: MLG23MNAWW



LD13-33

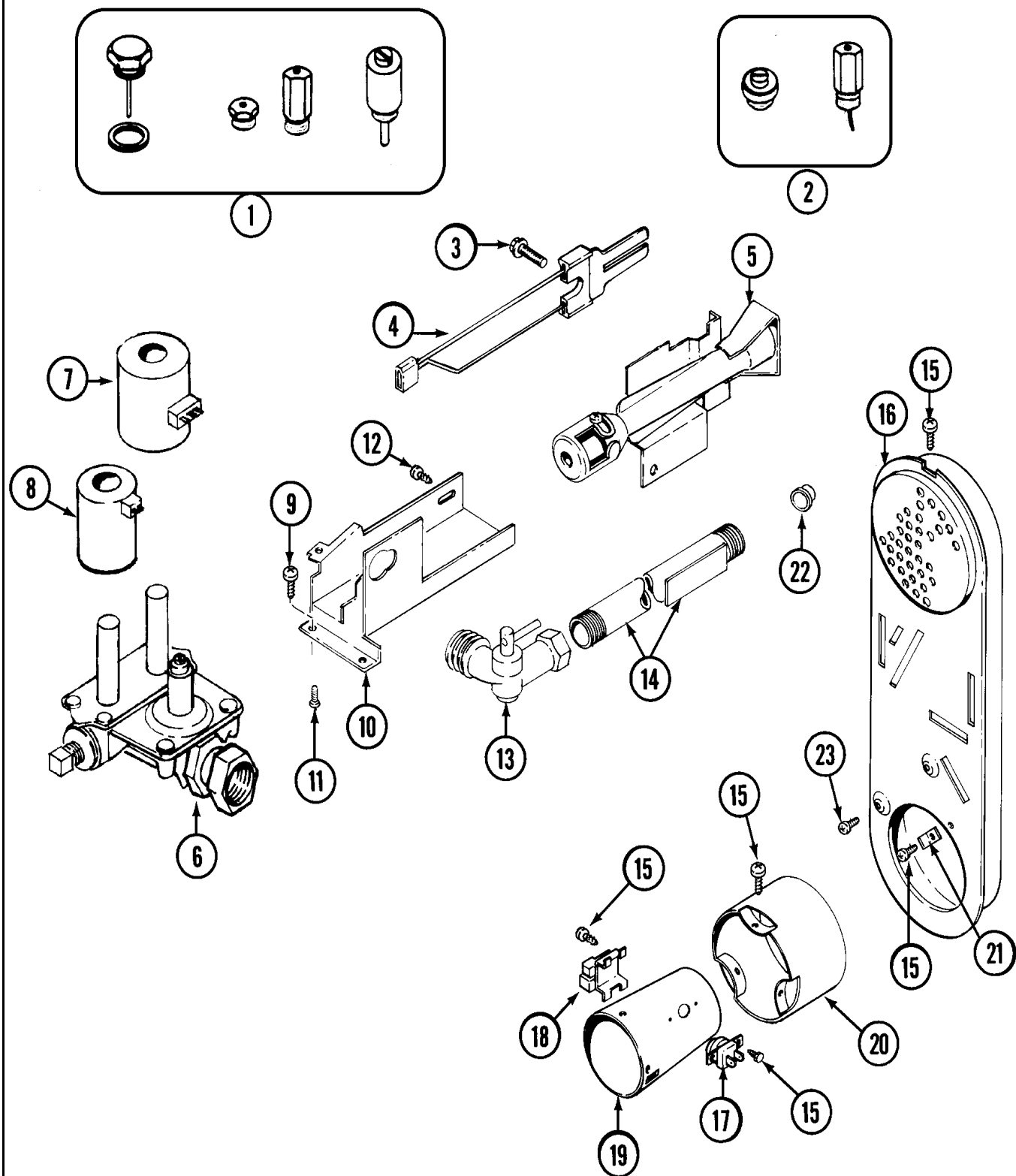
Section: TUMBLER

No.	Part No.	Description	Series	Qty
1	33001799	OUTLET DUCT ASSEMBLY	10	2
2	33001804	FILTER, LINT	10	1
3	33001758	SEAL, BLOWER Note: SEAL, BLOWER (LWR)	10	1
3	33002082	SEAL, BLOWER Note: SEAL, BLOWER (UPR)	10	1
4 N	33001828	SUPPORT, TUMBLER FRONT	10	4
5 N	312311	SCREW---NA Note: SCREW, OUTLET DUCT	10	2
6	33001802	FRONT, TUMBLER (W/SEAL)	10	2
7	33001855	SCREW (HEX HEAD) Note: SCREW, OUTLET DUCT	10	8
8	33001807	SEAL, TUMBLER	10	4
9	33002032	BAFFLE (TALL)	10	4
10	33001755	BAFFLE (SHORT)	10	2
11	33001794	TUMBLER	10	2
12	33001777	BELT, TUMBLER	10	2
13	33001788	SCREW, BAFFLE	10	12
14	33001801	BACK, TUMBLER (W/SEAL)	10	2
15 N	33001832	SUPPORT, BACK	10	4
16	22001995	SCREW Note: SCREW, TUMBLER BACK	10	8
17	33001443	NUT, HEX (ROLLER SHAFT)	10	4
18	313347	WASHER, SPRING (ROLLER SHAFT)	10	4
19	312948	SHAFT, TUMBLER ROLLER	10	4
20	303373	BEARING & ROLLER ASSEMBLY Note: ROLLER (W/BEARING)	10	4
21	312535	WASHER, ROLLER SHAFT	10	4
22	410233	RING, RETAINING	10	4
23	210932	SCREW, #8 X 9/16 CTSK Note: SCREW, INLET DUCT	10	2
24	22001996	SCREW Note: SCREW, INLET DUCT	10	4
25	210720	RIVET	10	8
26	306508	TUMBLER BEARING KIT	10	4
27	33002039	BRACE, TUMBLER FRONT Note: BRACE, TUMBLER FRONT (UPR)	10	1
28	33001768	SCREW, SHROUD Note: SCREW, TUMBLER BRACE (UPR)	10	2
29	22001995	SCREW Note: SCREW, TUMBLER BRACE (UPR)	10	2

*Color Code (-)=Not Shown #=Series, Serial Prefix or Run No., N=Not Available

Section: GAS VALVE

Model: MLG23MNAWW



CD14-1

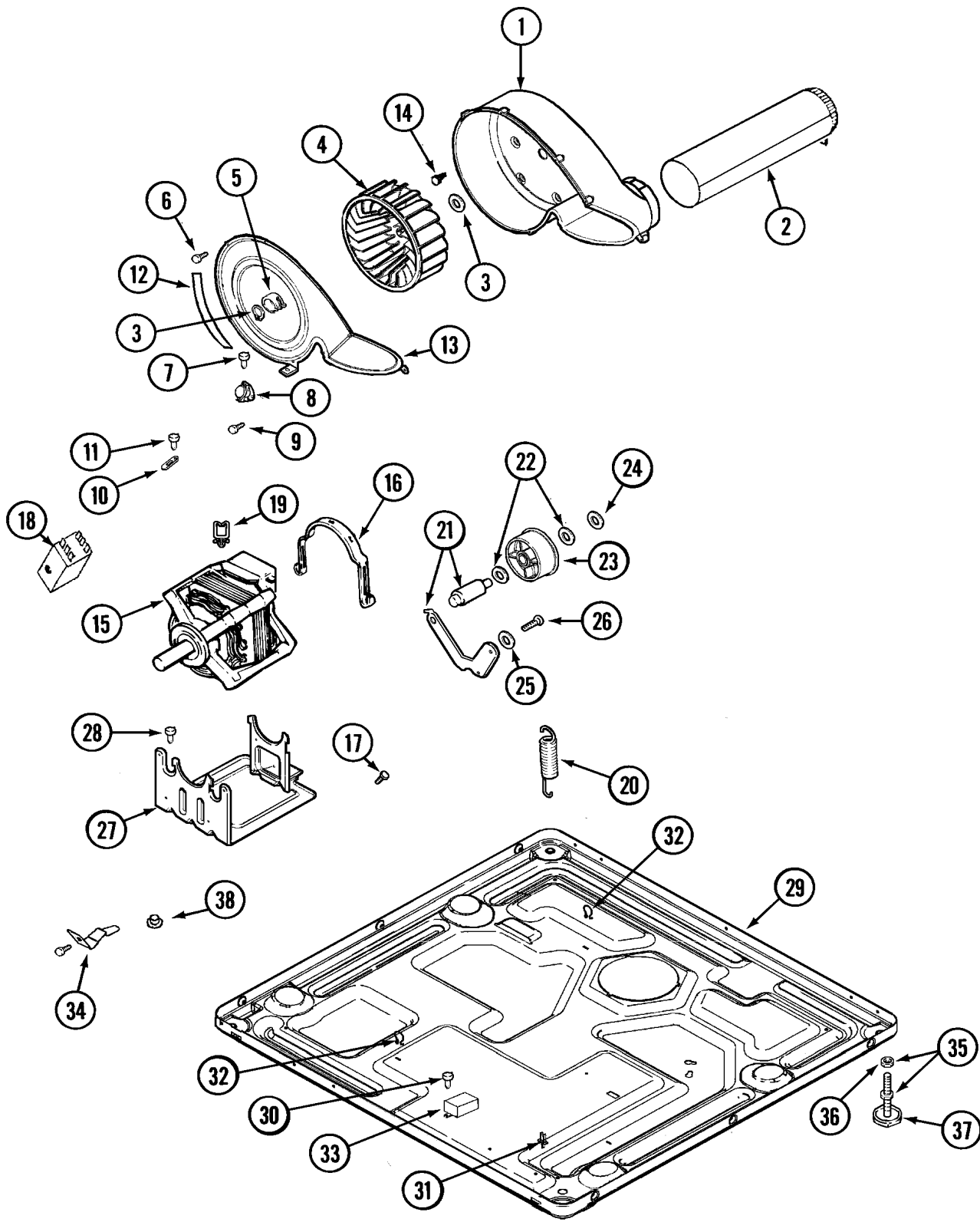
Section: GAS VALVE

No.	Part No.	Description	Series	Qty
1	308378	CONVERSION KIT (NATURAL TO LP)	10	2
2	308377	CONVERSION KIT (LP TO NATURAL)	10	2
3	304971	SCREW Note: SCREW, IGNITER	10	2
4	304970	IGNITER ASSY, GAS VALVE	10	2
5	33002793	BURNER ASSEMBLY	19	2
5	33001247	BURNER ASSY.	10	2
-	33002056	PLUG, HOLE	10	2
6	308345	VALVE, GAS	10	2
7	306106	COIL, HOLDING & BOOSTER	10	2
8	306105	COIL, SECONDARY	10	2
9	N 313561	SCREW----NA Note: SCREW, GAS VALVE	10	4
10	N 33002055	BRACKET, GAS VALVE----NA Note: BRACKET, GAS VALVE (UPR)	10	1
10	N 33001834	BRACKET, GAS VALVE----NA Note: BRACKET, GAS VALVE (LWR)	10	1
11	314568	SCREW-GAS VALVE TO BRACKET Note: SCREW, GAS VALVE	10	2
11	314082	SCREW Note: SCREW, GAS VALVE	10	2
12	22001995	SCREW Note: SCREW, GAS VALVE	10	2
13	306086	ANGLE SHUT OFF FOR GAS VALV Note: VALVE, ANGLE GAS	10	2
14	33001735	PIPE & BRACKET ASSY.	10	2
15	211294	SCREW Note: SCREW, DUCT	10	14
16	33001810	DUCT ASSY., INLET (GAS) Note: INLET DUCT ASSEMBLY	10	2
17	305169	THERMOSTAT, HI-LIMIT GAS	10	2
18	303377	SENSOR, RADIANT	10	2
19	33001835	CONE ASSY., COMBUSTION	10	2
20	303841	CONE, EXTENSION (COMBUSTION)	10	2
21	312890	RETAINER, HEATER CHAMBER	10	2
22	33001693	CAP, GAS PIPE	10	2
23	22001996	SCREW Note: SCREW, DUCT	10	8

*Color Code (-)=Not Shown #=Series, Serial Prefix or Run No., N=Not Available

Section: MOTOR DRIVE

Model: MLG23MNAWW



LD14-26

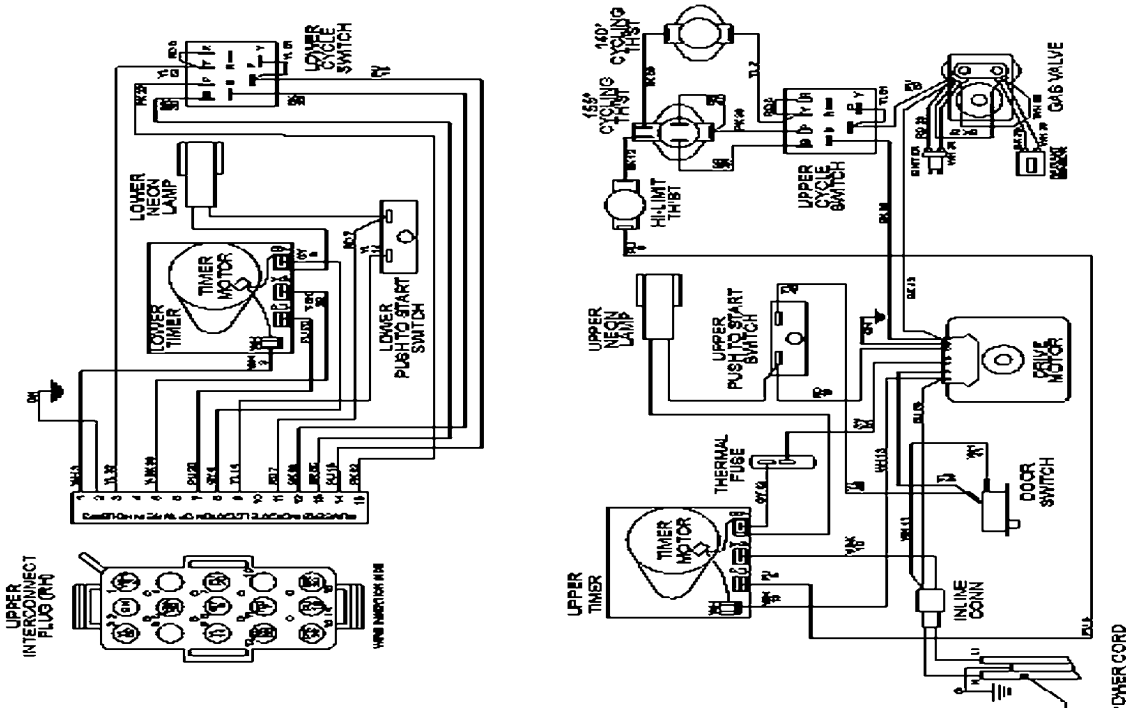
Section: MOTOR DRIVE

No.	Part No.	Description	Series	Qty
1	33001789	HOUSING, BLOWER	10	2
-	22001995	SCREW Note: SCREW, EXHAUST DUCT ASSEMBLY	10	2
2	33001800	DUCT ASSY., EXHAUST	10	2
3	410233	RING, RETAINING	10	4
4	33001790	WHEEL, BLOWER	10	2
4	33002797	WHEEL, BLOWER	23	2
5	312967	CLAMP, BLOWER HOUSING	10	2
6	33001855	SCREW (HEX HEAD) Note: SCREW, HOUSING COVER	10	16
7	N 313561	SCREW----NA Note: SCREW, HOUSING COVER	10	2
8	303392	CYCLING THERMOSTAT 140 DEG. Note: THERMOSTAT, CYCLING	10	2
8	306966	THERMOSTAT, MULTI-TEMP	10	2
9	22001996	SCREW Note: SCREW, THERMOSTAT	10	8
10	33001762	FUSE, THERMAL (W' BRACKET)	10	2
11	314848	SCREW Note: SCREW, THERMAL CUT-OFF	10	2
12	N 33001772	SEAL, BLOWER COVER	10	2
13	33001796	COVER, BLOWER HOUSING	10	2
14	314818	SCREW Note: SCREW, BLOWER HOUSING	10	8
15	33002795	MOTOR, DRIVE 60HZ	23	2
15	33002478	MOTOR	10	1
16	015825	CLIP, MOTOR	10	4
17	910343	SCREW, GROUND WIRE	10	4
18	33001854	SWITCH, MOTOR	10	2
19	33002040	CLIP, WIRE HARNESS	10	2
-	33002461	PLUG FOR SPRING	10	1
20	33002460	SPRING, IDLER	10	1
21	33001840	IDLER ARM & SHAFT ASSY.	10	2
22	312527	WASHER, IDLER SHAFT (QTY-1)	10	4
23	33001783	BEARING, IDLER ASSEMBLY	10	2
24	312958	RETAINING RING, IDLER SHAFT	10	2
25	315772	SLEEVE, IDLER ARM	10	2
26	014874	SCREW	10	2
-	N 313561	SCREW----NA	10	1
-	33002466	SUPPORT, MOTOR	10	1
28	N 313561	SCREW----NA Note: SCREW, MOTOR SUPPORT	10	4
-	33002049	STRIP, GROMMET Note: STRIP, GROMMET (UPR)	10	2
-	33002048	FASTENER, PUSH Note: FASTENER, PUSH (UPR)	10	2
29	33002467	BASE (UPR)	10	1
-	33002050	PROTECTOR, HARNESS Note: PROTECTOR, HARNESS (UPR)	10	2
-	314568	SCREW-GAS VALVE TO BRACKET Note: SCREW, HARNESS PROTECTOR (UPR)	10	2
29	N 33002465	BASE, (LWR)----NA	10	1
30	211294	SCREW Note: SCREW, TRANSFORMER (LWR)	10	2
31	315471	RETAINER, WIRE	10	1
32	410490	SPRING, WIRE HARNESS	10	2
-	313559	SCREW Note: SCREW, TRANSFORMER SHIELD (LWR)	10	2
33	33001205	TRANSFORMER Note: TRANSFORMER (LWR)	10	1
-	315218	SHIELD, XFMER Note: SHIELD, TRANSFORMER (LWR)	10	2
-	22001995	SCREW Note: SCREW, BRACKET (UPR)	10	2
34	33002042	BRACKET (LT) Note: BRACKET (LT-UPR)	10	1
34	22002239	CLIP, LOWER FRONT PANEL Note: CLIP, FRONT PANEL (LWR)	10	2
-	310632	SCREW Note: SCREW, FRONT PANEL CLIP (LWR)	10	2
34	33002043	BRACKET (RT) Note: (RT-UPR)	10	1
-	22002244	CLIP, GROUNDING Note: CLIP, GROUNDING (LWR)	10	1
35	22001915	ADJUSTABLE LEG & NUT Note: ADJUSTABLE LEG & NUT (LWR)	10	4
36	052740	NUT Note: NUT, LEG (LWR)	10	4
37	210684	FOOT, RUBBER Note: FOOT, RUBBER (LWR)	10	4
38	33002044	GUIDE Note: GUIDE (UPR)	10	2

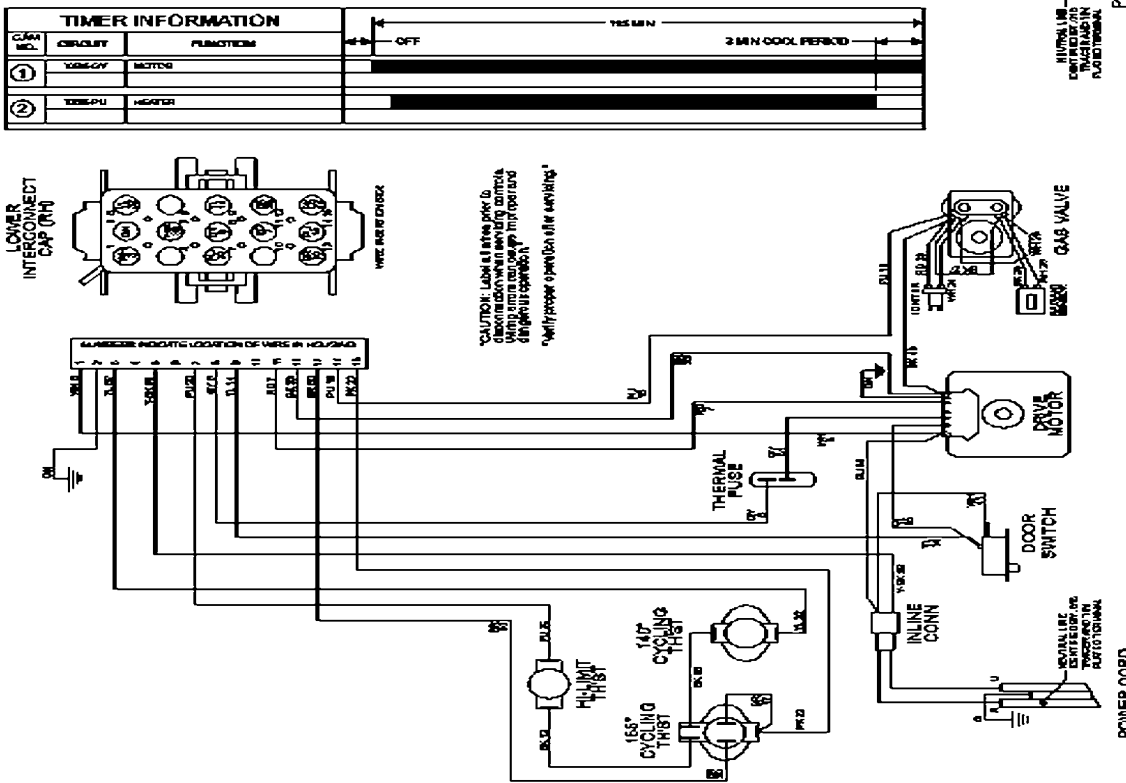
*Color Code (-)=Not Shown #=Series, Serial Prefix or Run No., N=Not Available

Section: WIRING INFORMATION

Model: MLG23MNAWW



UPPER DRYER WIRING CONNECTION DIAGRAM



LOWER DRYER WIRING CONNECTION DIAGRAM

TIMER INFORMATION

WIRE NO.	CIRCUIT	FUNCTION
W1.1	COMMON	NEON LAMP
W1.2	COMMON	NEON LAMP
W1.3	COMMON	NEON LAMP
W1.4	COMMON	NEON LAMP
W1.5	COMMON	NEON LAMP
W1.6	COMMON	NEON LAMP
W1.7	COMMON	NEON LAMP
W1.8	COMMON	NEON LAMP
W1.9	COMMON	NEON LAMP
W1.10	COMMON	NEON LAMP
W1.11	COMMON	NEON LAMP
W1.12	COMMON	NEON LAMP
W1.13	COMMON	NEON LAMP
W1.14	COMMON	NEON LAMP
W1.15	COMMON	NEON LAMP
W1.16	COMMON	NEON LAMP
W1.17	COMMON	NEON LAMP
W1.18	COMMON	NEON LAMP
W1.19	COMMON	NEON LAMP
W1.20	COMMON	NEON LAMP
W1.21	COMMON	NEON LAMP
W1.22	COMMON	NEON LAMP
W1.23	COMMON	NEON LAMP
W1.24	COMMON	NEON LAMP
W1.25	COMMON	NEON LAMP
W1.26	COMMON	NEON LAMP
W1.27	COMMON	NEON LAMP
W1.28	COMMON	NEON LAMP
W1.29	COMMON	NEON LAMP
W1.30	COMMON	NEON LAMP
W1.31	COMMON	NEON LAMP
W1.32	COMMON	NEON LAMP
W1.33	COMMON	NEON LAMP
W1.34	COMMON	NEON LAMP
W1.35	COMMON	NEON LAMP
W1.36	COMMON	NEON LAMP
W1.37	COMMON	NEON LAMP
W1.38	COMMON	NEON LAMP
W1.39	COMMON	NEON LAMP
W1.40	COMMON	NEON LAMP
W1.41	COMMON	NEON LAMP
W1.42	COMMON	NEON LAMP
W1.43	COMMON	NEON LAMP
W1.44	COMMON	NEON LAMP
W1.45	COMMON	NEON LAMP
W1.46	COMMON	NEON LAMP
W1.47	COMMON	NEON LAMP
W1.48	COMMON	NEON LAMP
W1.49	COMMON	NEON LAMP
W1.50	COMMON	NEON LAMP
W1.51	COMMON	NEON LAMP
W1.52	COMMON	NEON LAMP
W1.53	COMMON	NEON LAMP
W1.54	COMMON	NEON LAMP
W1.55	COMMON	NEON LAMP
W1.56	COMMON	NEON LAMP
W1.57	COMMON	NEON LAMP
W1.58	COMMON	NEON LAMP
W1.59	COMMON	NEON LAMP
W1.60	COMMON	NEON LAMP
W1.61	COMMON	NEON LAMP
W1.62	COMMON	NEON LAMP
W1.63	COMMON	NEON LAMP
W1.64	COMMON	NEON LAMP
W1.65	COMMON	NEON LAMP
W1.66	COMMON	NEON LAMP
W1.67	COMMON	NEON LAMP
W1.68	COMMON	NEON LAMP
W1.69	COMMON	NEON LAMP
W1.70	COMMON	NEON LAMP
W1.71	COMMON	NEON LAMP
W1.72	COMMON	NEON LAMP
W1.73	COMMON	NEON LAMP
W1.74	COMMON	NEON LAMP
W1.75	COMMON	NEON LAMP
W1.76	COMMON	NEON LAMP
W1.77	COMMON	NEON LAMP
W1.78	COMMON	NEON LAMP
W1.79	COMMON	NEON LAMP
W1.80	COMMON	NEON LAMP
W1.81	COMMON	NEON LAMP
W1.82	COMMON	NEON LAMP
W1.83	COMMON	NEON LAMP
W1.84	COMMON	NEON LAMP
W1.85	COMMON	NEON LAMP
W1.86	COMMON	NEON LAMP
W1.87	COMMON	NEON LAMP
W1.88	COMMON	NEON LAMP
W1.89	COMMON	NEON LAMP
W1.90	COMMON	NEON LAMP
W1.91	COMMON	NEON LAMP
W1.92	COMMON	NEON LAMP
W1.93	COMMON	NEON LAMP
W1.94	COMMON	NEON LAMP
W1.95	COMMON	NEON LAMP
W1.96	COMMON	NEON LAMP
W1.97	COMMON	NEON LAMP
W1.98	COMMON	NEON LAMP
W1.99	COMMON	NEON LAMP
W1.100	COMMON	NEON LAMP

CAUTION: Lower timer motor is controlled by a thermal fuse. Verify proper operation after servicing.

