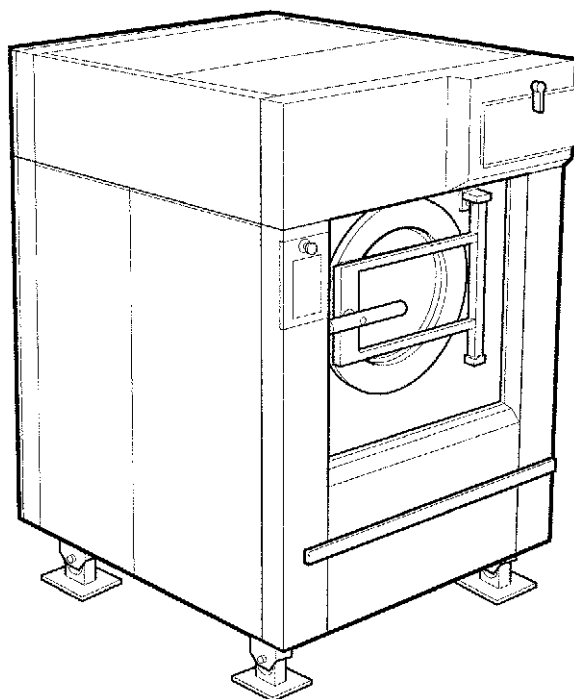


WASCOMAT

Spare Parts Catalogue

Catalogue de pièces de rechange



EX6100c

Washer extractor

Laveuses essoreuses

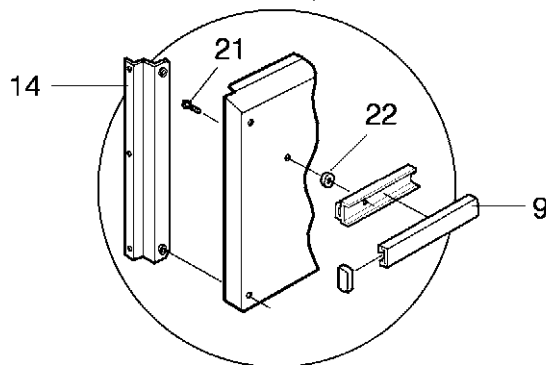
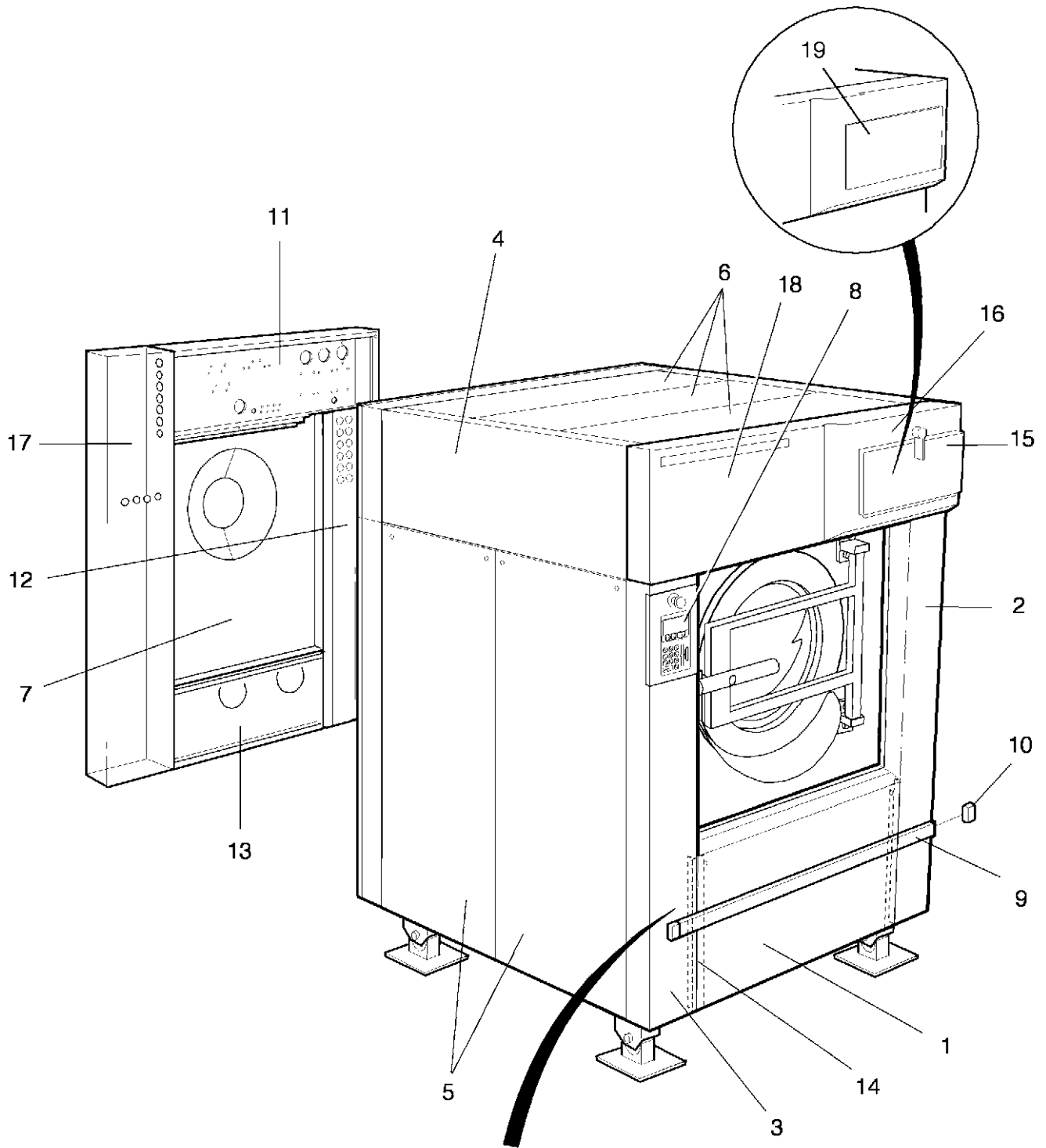
List of issues

EX6100c

Illustration	Page	Table of contents
100322	33	Suspension
101422	9	Frame
101423	29	Motor
101424	11	Outer and inner drum
101425	13	Bearing house with bearings
101426	25	Door
101428	35	Drain and hoses
101429	43	Water connections
101432	39	Drain valve
101433	55	Level tube and test tap
101438	37	Drain valve and hoses, water recovery
101452	53	Dispensing components
101460	47	Return water connection via pump
101461	45	Third water valve
101463	59	Funnel
101464	41	Steam components
101480	63	Spray components
101487	27	Door lock
101490	7	Panels
101618	21	Electric cabinet, front
101619	17	Electric cabinet, rear
101620	57	Tilt, forward and forward/backward
101621	61	Insulation
101622	49	Water connection, detergent container
101623	51	Water connection liquid detergent
101650	31	Out of balance switch
101665	69	Weighing device
101683	65	Cables
101684	67	Kablage Option
101795	15	Relay box

EX6100c

Table of contents	Table des matières	Page/Page
Panels	Plaques	7
Frame	Base	9
Outer and inner drum	Tambour extérieur et intérieur	11
Bearing house with bearings	Logement de palier avec palier	13
Relay box	Relay box	15
Electric cabinet, rear	Armoire électrique, arrière	17
Electric cabinet, front	Armoire électrique, avant	21
Door	Plaque	25
Door lock	Serrure de porte	27
Motor	Moteur	29
Out of balance switch	Commutateur asymétrique	31
Suspension	Suspension	33
Drain and hoses	Ecoulement et flexibles	35
Drain valve and hoses, water recovery	Purgeur et flexibles, recyclage	37
Drain valve	Purgeur	39
Steam components	Composants	41
Water connections	Raccords d'eau	43
Third water valve	Soupapes vapeur et eau	45
Return water connection via pump	Raccord eau retour par pompe	47
Water connection, detergent container	Raccord eau compartiment à savon	49
Water connection liquid detergent	Raccord eau produit de lavage liquide	51
Dispensing components	Distributeur de savon	53
Level tube and test tap	Tuyau de niveau et robinet de test	55
Tilt, forward and forward/backward	Basculement, avant et avant/arrière	57
Funnel	Cône	59
Insulation	Isolation	61
Spray components	Composants vaporisateur	63
Cables	Câble	65
Kablage Option	Kablage Option	67
Weighing device	Unité de balance	69



Issue	Month	Year
04	03	01

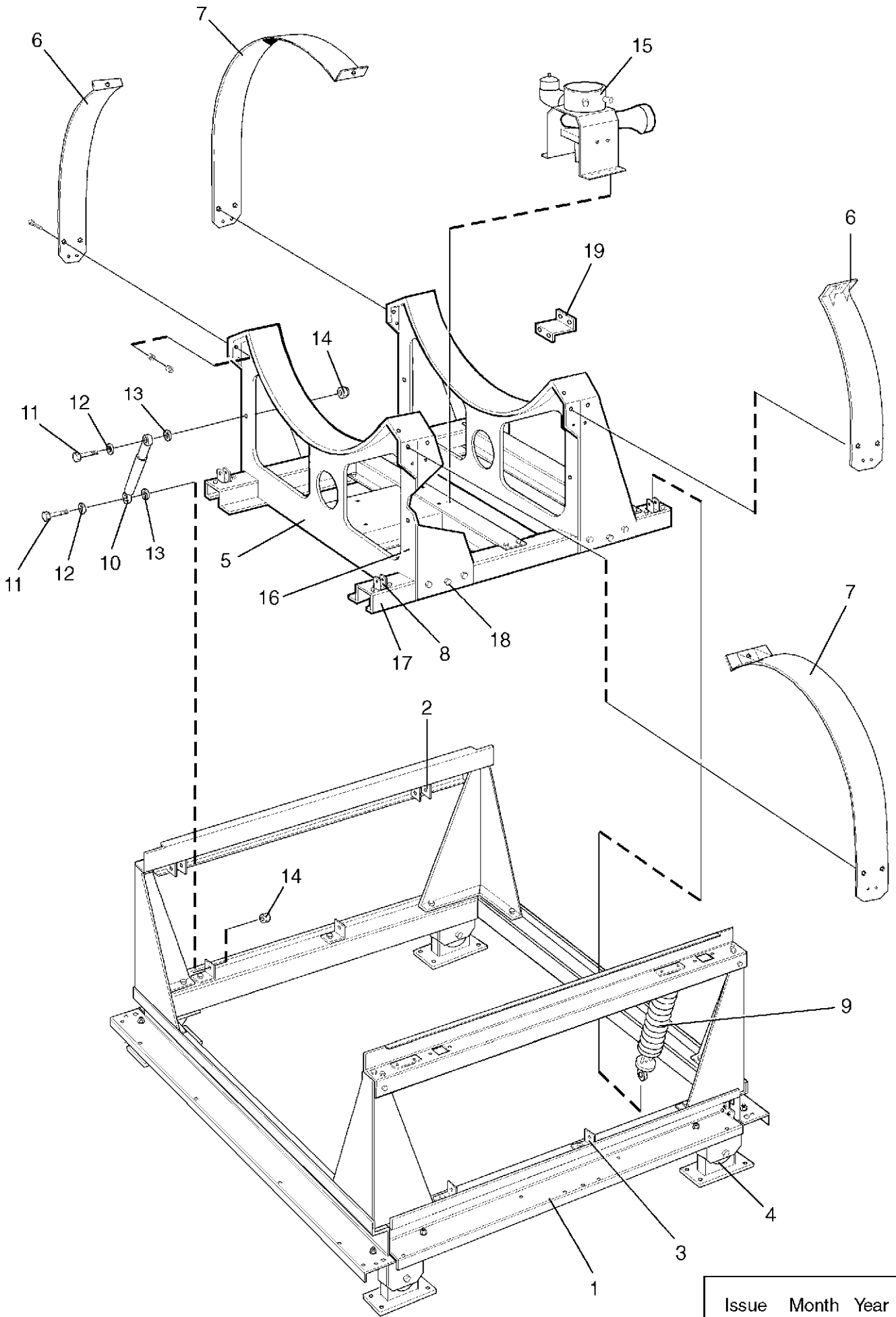
EX6100c

Panels

Plaques

Illustration Schéma **101490**
Issue Issue **6**
Month Month **12**
Year Year **2001**

Item Article	Qua. Qua.	Art.No Réf. article	Description	Description	Info Info	Notes Remarques
1	1	432 0134-01	Front panel	Panneau avant	3	
2	1	432 0132-01	Pillar	Montant	3	
3	1	432 0133-01	Pillar	Montant	3	
4	2	438 4929-01	Side panel	Panneau latéral	3	White
	2	438 4929-02	Side panel	Panneau latéral	3	Stainless
	2	438 4929-03	Side panel	Panneau latéral	3	Grey
5	4	438 4930-01	Side panel	Panneau latéral	3	White
	4	438 4930-03	Side panel	Panneau latéral	3	Stainless
	1	438 4930-02	Side panel	Panneau latéral	3	For level tube and tap
	1	438 4930-04	Side panel	Panneau latéral	3	For level tube and tap, stainless
	1	438 4930-05	Side panel	Panneau latéral	3	Grey
6	3	438 4931-01	Top panel	Couvercle	3	White
	3	438 4931-02	Top panel	Couvercle	3	Stainless
	3	438 4931-03	Top panel	Couvercle	3	Grey
7	1	432 0155-01	Rear panel	Panneau arrière	3	
	1	432 0155-02	Rear panel	Panneau arrière	3	Grey
8	1		Front panel	Panneau avant		
9	RQ	471 5564-00	Safety strip	Lame sécurité plomb	3	
10	2	471 9204-93	Sleeve	Manchon	3	
11	1	432 0140-01	Plate	Plaque	3	
	1	432 0140-02	Plate	Cloison	3	Grey
12	1	438 4942-01	Plate	Plaque	3	White
	1	438 4942-02	Plate	Cloison	3	Grey
13	1	432 0039-02	Beam	Poutre	3	
	1	432 0039-03	Beam	Poutre	3	Grey
14	2	438 4904-01	Angle bracket	Angle	3	
	2	432 0442-02	Angle bracket	Angle	3	
15	1		Detergent container	Compartiment à savon		
16	1	438 4964-01	Cover	Couvercle	3	Grey
	1	438 4964-02	Cover	Couvercle	3	Stainless
	1	438 4964-03	Cover	Couvercle	3	Silver
17	1	432 0118-01	Electric cabinet	Passage de câbles	3	
	1	432 0118-02	Electric cabinet	Passage de câbles	3	Grey
18	1	432 0135-01	Front panel	Panneau avant	3	Upper
	1	432 0135-02	Front panel	Panneau avant	3	Stainless
	1	432 0135-03	Front panel	Panneau avant	3	Silver
19	1	438 4912-01	Cover plate	Plaque recouvrement	3	
	1	438 4912-02	Cover plate	Couvercle	3	Silver
20	3	432 0443-01	Spacer	Entretoise	3	
21	3	725 2451-51	Screw	Vis	3	M8X20



101422

Issue	Month	Year
03	10	00

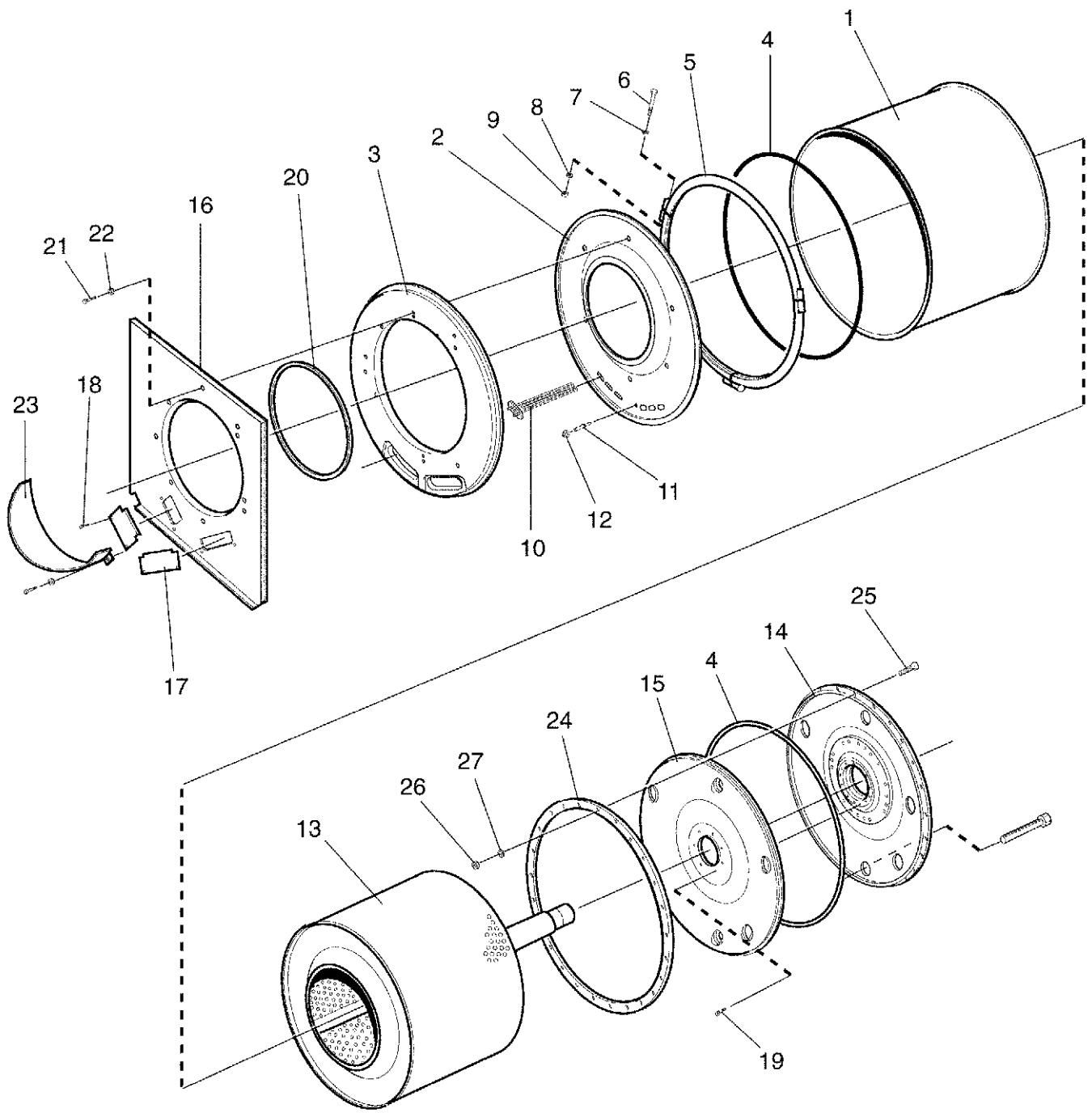
EX6100c

Frame

Base

Illustration Issue Month Year
Schéma Issue Month Year
101422 4 10 2000

Item Article	Qua. Qua.	Art.No Réf. article	Description	Description	Info Info	Notes Remarques
1	1	438 4980-01	Outer frame	Châssis extérieur	3	Complete
2	4	432 0005-01	•Spring retainer	•Montage suspension	3	
3	4	432 0021-01	•Bracket	•Support de montage	3	
4	4	432 0008-01	•Foot	•Pied	3	Upper part, fixed/tilting
5	1	438 4979-01	Frame	Base	3	Complete
6	2	432 0019-01	•Stretching device	•Dispositif tendeur	3	SHORT
7	2	432 0017-01	•Stretching device	•Dispositif tendeur	3	LONG
8	4	432 0005-01	•Spring retainer	•Montage suspension	3	
9	4		Suspension unit	Organe de suspension		
10	4	471 8252-05	Shock absorber	Amortisseur	1,2	
11	8	725 2501-51	Screw	Vis	3	M10X50
12	16	734 1173-01	Washer	Rondelle	3	BRB 10,5X21
13	8	471 9074-04	Washer	Rondelle	3	10,5X28
14	8	732 2120-01	Locking nut	Contre-écrou	3	M10
15	1		Drain valve	Purgeur		
16	1	432 0102-01	Counterweight	Contrepoids	3	
17	2	432 0010-01	Beam	Poutre	3	
18	12	725 2493-51	Screw	Vis	3	M10X25
	12	732 2120-01	Locking nut	Contre-écrou	3	M10
19	1	432 0023-01	Bracket	Support	3	



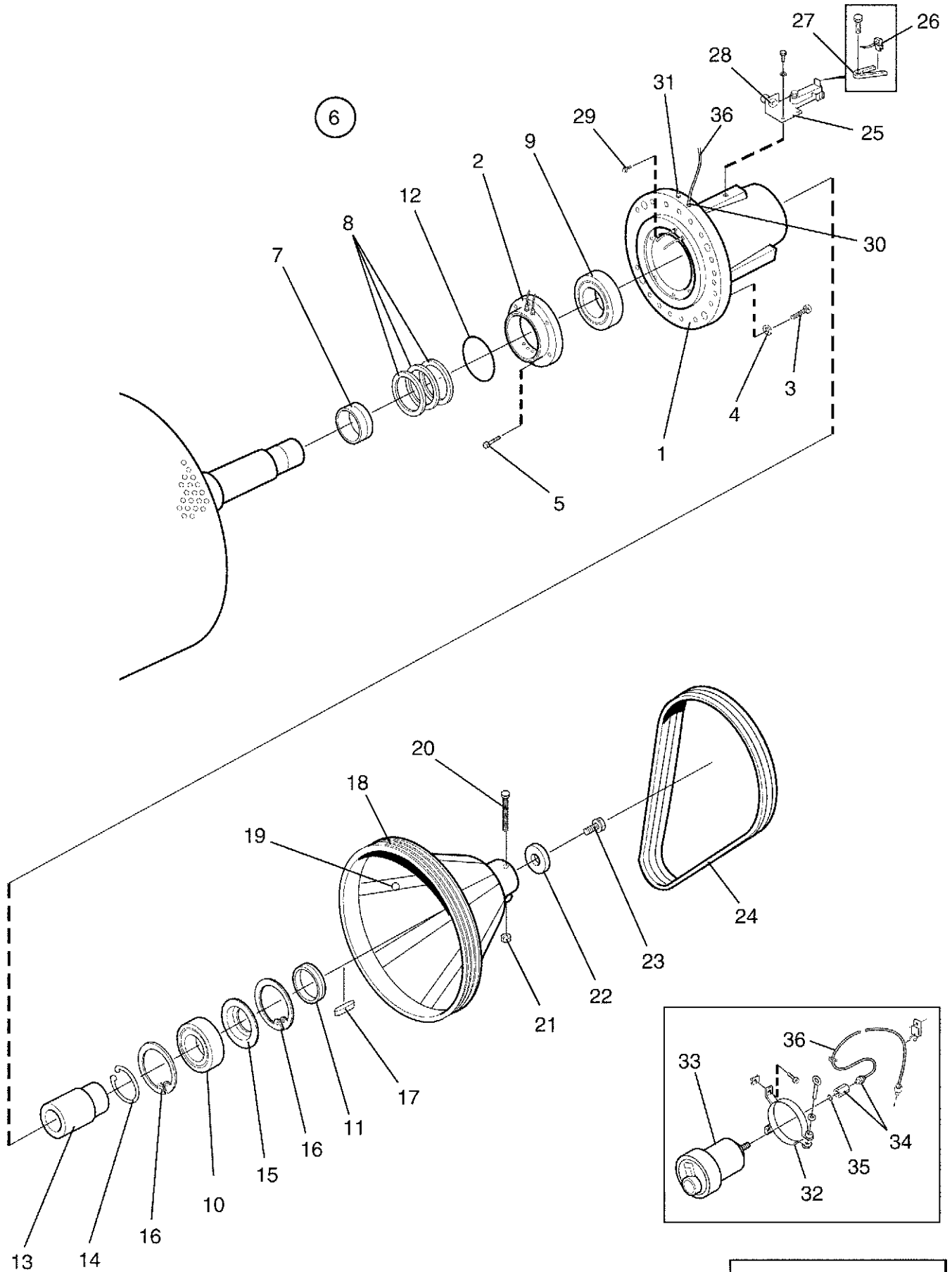
EX6100c

Outer and inner drum

Tambour extérieur et intérieur

Illustration Issue Month Year
Schéma Issue Month Year
101424 7 10 2003

Item Article	Qua. Qua.	Art.No Réf. article	Description	Description	Info Info	Notes Remarques
1	1	432 0083-01	Outer drum	Extérieur du tambour	3	
2	1	472 6212-03	End piece	Pignon	3	
3	1	438 4970-01	Counterweight	Contrepoids	3	
4	2	471 4009-60	Gasket	Bande de garniture	3	
5	3	438 4994-01	Stretching device	Dispositif tendeur	3	
6	3	725 2518-51	Screw	Vis	3	M6S 10X140
7	3	734 1173-01	Washer	Rondelle	3	BRB 10,5X21
8	3	734 1173-01	Washer	Rondelle	3	BRB 10,5X21
9	3	732 2120-01	Locking nut	Contre-écrou	3	M10
10	6	471 9811-30	Heating element	Élément chauffant	1,2	6KW 230V
	6	471 9811-31	Heating element	Élément chauffant	1,2	6kW 254V
	6	471 9811-32	Heating element	Élément chauffant	1,2	6kW 277V
	6	471 9811-33	Heating element	Élément chauffant	1,2	6KW 200V
	6	471 9811-34	Heating element	Élément chauffant	1,2	6kW 240V
	6	471 4494-01	Blind flange	Bride d'obturation	1,2	
11	1	472 9913-22	Sensor	Capteur	1,2	Complete
12	1	471 8192-01	•Bushing	•Douille	1,2	
13	1	438 4977-02	Inner drum	Intérieur du tambour	3	
14	1	438 4998-02	End piece	Pignon	3	
15	1	438 4511-01	Lining	Panneau de renfort	3	Complete
16	1	438 4965-01	Trim panel	Panneau d'habillage	3	
	1	438 4965-02	Trim panel	Panneau d'habillage	3	
17	2	432 0031-01	Cover plug	Couvre-bouchon	3	
18	4	471 8344-33	Screw	Vis	3	M6X10
19	12	471 8320-08	Screw	Vis	3	M8X12
20	1	471 2075-79	Strip	Ruban	1	
21	6	725 2451-42	Screw	Vis	3	M8X20
22	6	734 1164-09	Washer	Rondelle	3	BRB 8,4X17
23	1	432 0030-01	Unloading plate	Unloading plate	3	
24	1	432 0081-01	Ring	Anneau	3	
25	24	725 2501-81	Screw	Vis	3	M10X50
26	24	471 8409-05	Locking nut	Contre-écrou	3	M10
27	24	734 1173-01	Washer	Rondelle	3	BRB 10,5X21



101425

Issue	Month	Year
04	10	99

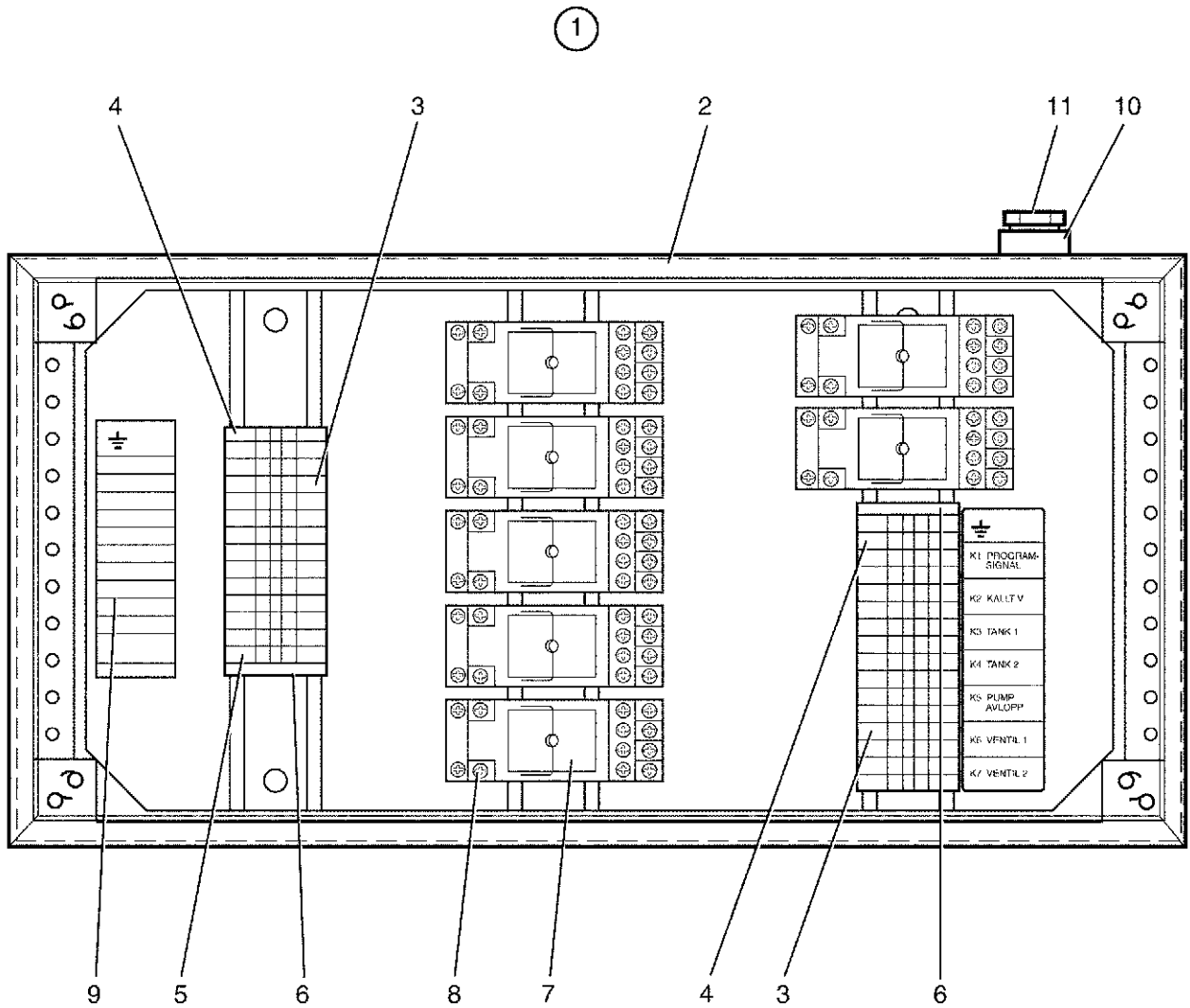
EX6100c

Bearing house with bearings

Logement de palier avec palier

Illustration Issue Month Year
Schéma Issue Month Year
101425/4 7 3 2000

Item Article	Qua. Qua.	Art.No Réf. article	Description	Description	Info Info	Notes Remarques
1	1	438 4999-01	Bearing housing	Logement de palier	3	
2	1	438 4975-01	Bearing cover	Chapeau de palier	3	
3	20	725 2544-71	Screw	Vis	3	M12X60
4	20	734 1178-01	Washer	Rondelle	3	BRB 13X24
5	6	725 2459-51	Screw	Vis	3	M8X40
6	1	438 4542-01	Bearing set	Jeu de coussinets	1,2	
7	1		•Bushing	•Douille		
8	3		•Seal	•Joint		
9	1		•Bearing	•Coussinet		
10	1		•Bearing	•Coussinet		
11	1		•V-ring	•Anneau en forme de V		
12	1		•O-ring	•Joint torique		
13	1	438 4971-01	Spacer	Entretoise	3	
14	1	735 3166-00	C-clamp	Presse à main	3	SGA 105
15	1	438 4969-01	Cover plate	Plaque recouvrement	3	
16	2	735 3177-10	C-clamp	Presse à main	3	SGH150
17	1	735 9628-00	Wedge	Poulie courroie V	3	18X11X56
18	1	438 4995-01	Pulley	Poulie	1	
19	2	471 9560-01	•Magnet	•Aimant	1	
20	1	725 2558-51	Screw	Vis	3	M12X130
21	1	732 2122-01	Locking nut	Contre-écrou	3	M12
22	1	471 2417-19	Washer	Rondelle	3	
23	1	725 2624-51	Screw	Vis	3	M16X30
24	1	471 7701-65	V-belt	Courroie trapézoïdale	1,2	SET OF 3 PCS
25	1				3	Not used
26	1	471 8985-01	Sensor	Capteur	1,2	
27	1	438 0363-01	Bracket	Pièce de retenue	1	
28	1				3	
29	2	471 8692-01	Nipple	Raccord	3	
30	1	471 8688-13	Nipple	Raccord	3	1/8" R 1/8"
31	1	471 5109-25	Plug	Fiche	3	
32	1	471 8276-12	Bracket	Pièce de retenue	3	
33	1	471 8276-02	Pump	Pompe	1,2	Compl.
34	1	471 8690-72	Nipple	Raccord	3	Complete
35	1	740 4209-00	O-ring	Joint torique	1	
36	RQ	877 5361-02	Hose	Flexible	1	



Issue	Month	Year
01	04	00

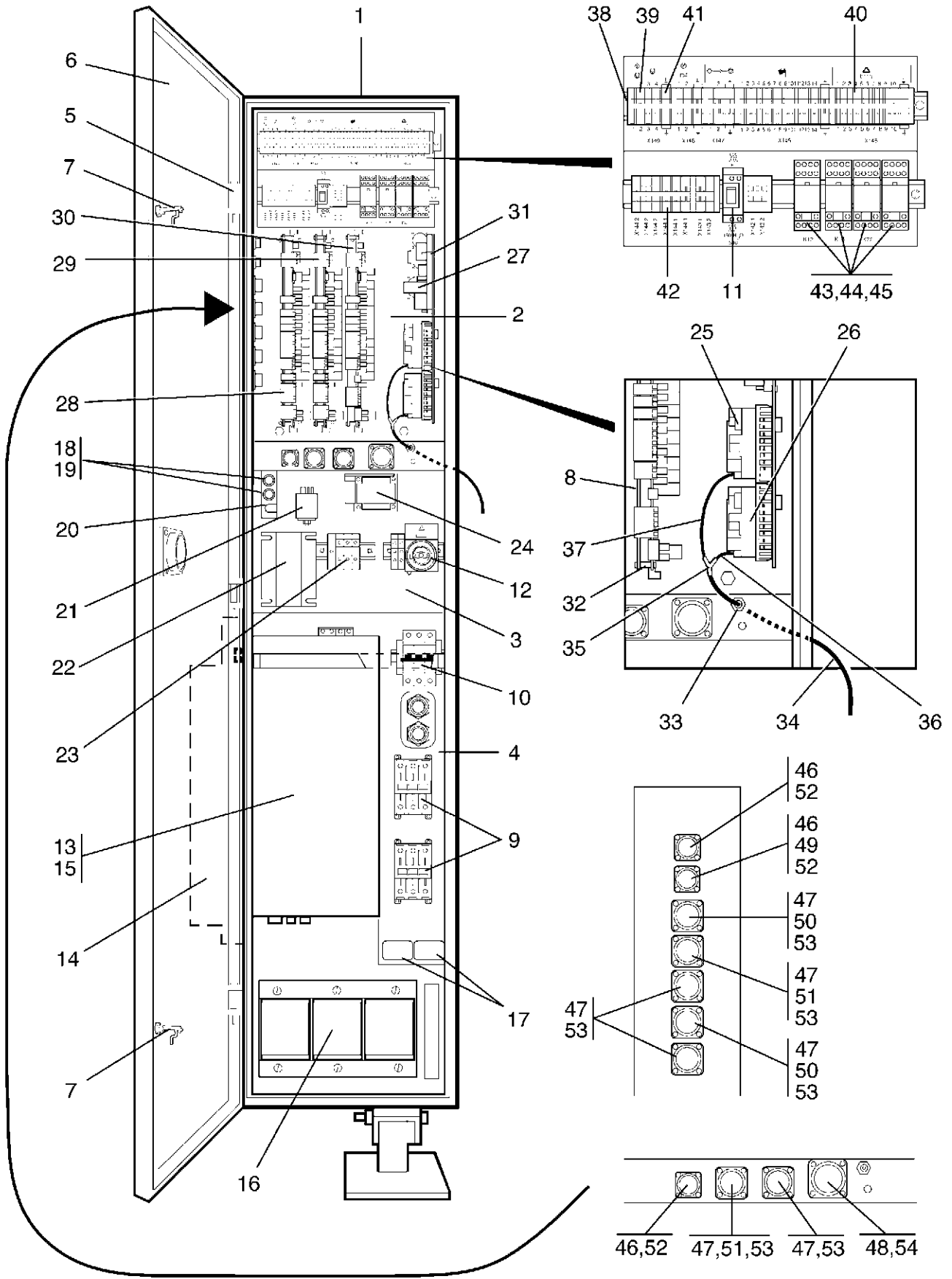
EX6100c

Relay box

Relay box

Illustration Issue Month Year
Schéma Issue Month Year
101795/1 1 4 2000

Item Article	Qua. Qua.	Art.No Réf. article	Description	Description	Info Info	Notes Remarques
1	1	471 7912-01	Relay box	Relay box	3	Complete
2	1	471 7911-01	•Box	•Boîtier	3	
3	24	471 8781-02	•Block	•Cale	3	Orange
4	2	471 8781-03	•Block	•Cale	3	Yellow/Green
5	1	471 8781-01	•Block	•Cale	3	Grey
6	2	471 8781-11	•Block	•Cale	3	
7	7	471 9649-01	•Relay	•Relais	1,2	
8	7	471 9649-02	•Socket	•Douille	1,2	
9	1	438 0268-01	•Sign	•Signe	3	
10	2	471 8780-05	•Screw fitting	•Vis de raccord	3	
11	1	438 7300-86	•Cables	•Câble	3	



Issue	Month	Year
02	03	04

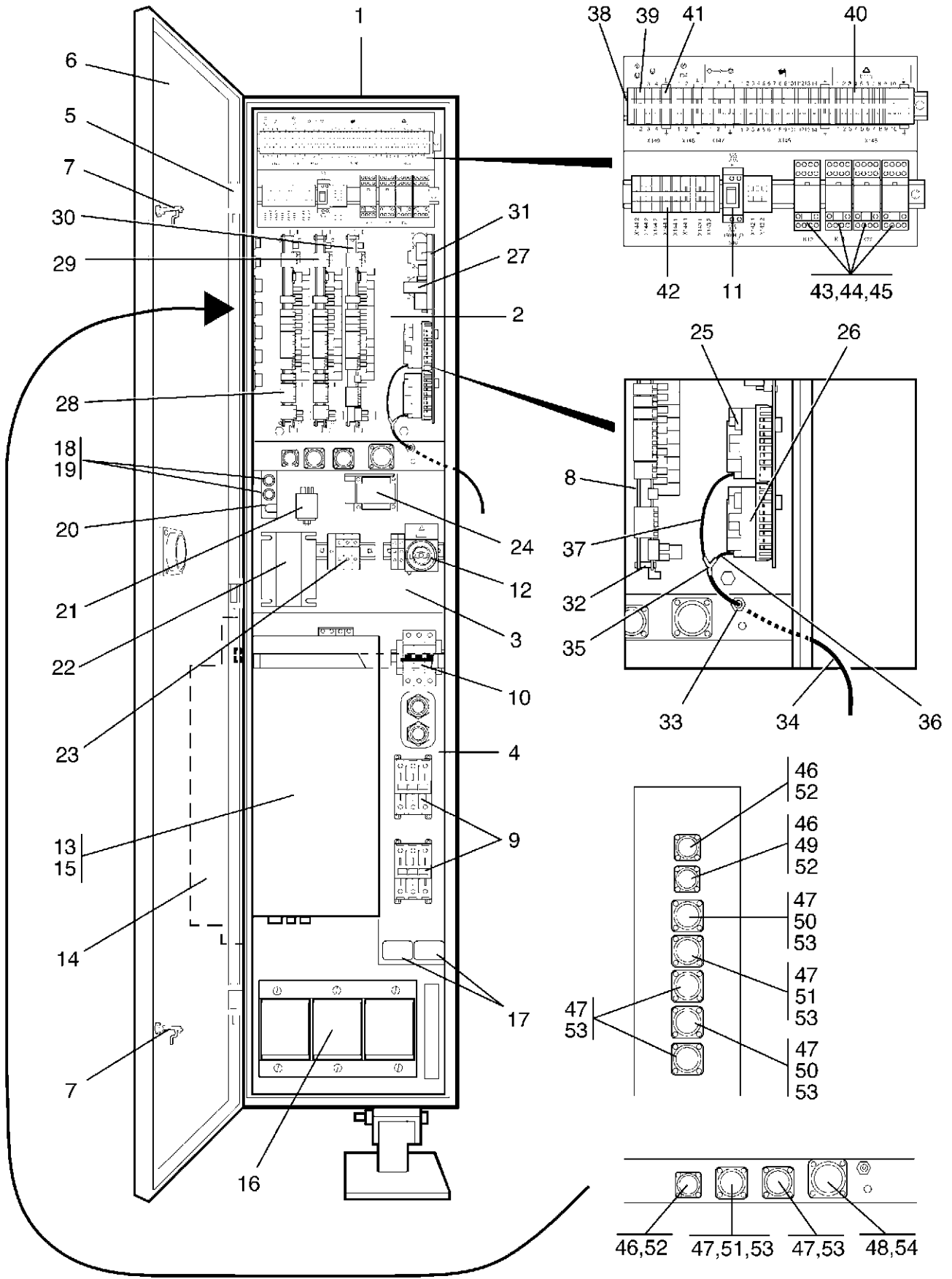
EX6100c

Electric cabinet, rear

Armoire électrique, arrière

Illustration Issue Month Year
Schéma Issue Month Year
101619/2 7 3 2004

Item Article	Qua. Qua.	Art.No Réf. article	Description	Description	Info Info	Notes Remarques
1	1		Electric cabinet	Passage de câbles	3	Complete
2	1	432 0137-01	•Component panel	•Panneau composants	3	
3	1	432 0138-01	•Component panel	•Panneau composants	3	
4	1	432 0139-01	•Component panel	•Panneau composants	3	
5	2	472 7264-01	•Hinged joint	•Assemblage articulé	3	
6	1	432 0131-02	•Cover	•Couvercle	3	
	1	432 0131-03	•Cover	•Couvercle	3	Grey
7	2	471 7830-01	•Lock	•Serrure	1	
8	4	432 0142-01	•Bracket	•Support de montage	3	
9	2	438 9637-32	Contacteur	Relais	1,2	380-440V 50Hz
	2	438 9637-33	Contacteur	Relais	1,2	380-480V 60Hz
10	1	471 8778-13	Circuit breaker	Fusible	1,2	25A
	1	471 8778-11	Circuit breaker	Fusible	1,2	8A
11	1	471 8797-01	Switch	Commutateur	1	EL/STEAM
12	1	471 9678-04	Main switch	Main switch	1	
	1	471 9678-33	Main switch	Main switch	1	380-480V
	1	471 9678-93	•Knob	•Bouton	3	
	1	471 9678-62	Main switch	Main switch	1	200-240V
	1	471 9678-95	•Knob	•Bouton	3	
	1	471 9678-01	Main switch	Main switch	1	
	1	471 9678-61	Main switch	Main switch	1	380-480V DS
	1	471 9678-95	•Knob	•Bouton	3	
13	1	471 9768-02	Printed circuit board	Circuit imprimé	1,2	
14	1	471 9767-90	•Fan	•Ventilateur	1	
15	1	471 9767-91	•Fuse	•Porte-fusible	1,2	
16	1	438 9550-01	Transformer	Transformateur	1	208,230V
	1	438 9550-04	Transformer	Transformateur	1	440,480V
17	2	471 8782-03	Block	Cale	3	
18	2	471 8750-11	Fuse	Porte-fusible	1,2	1,25A
19	2	471 8756-51	Insert	Insertion	1,2	5X20MM
20	1	471 4074-01	Fuse holder	Porte-fusible	1,2	
21	1	471 9529-10	Mains filter	Filtre de filet	1	208-240V
22	1	471 9550-21	Transformer	Transformateur	1	200-415V, not 346V
	1	471 9550-22	Transformer	Transformateur	1	346,440,480V
23	1	471 8762-04	Terminal connection	Bloc de connexion	3	
24	1	471 8792-01	Transformer	Transformateur	1	
25	1	471 8859-07	Level control	Réglage de niveau	1,2	B1
26	1	471 8859-01	Level control	Réglage de niveau	1,2	B2
27	1	438 9555-01	Printed circuit board	Circuit imprimé	1,2	Door lock B31
28	1	471 8995-01	Printed circuit board	Circuit imprimé	1,2	I/O-card Configured A3
29	1	471 8995-01	Printed circuit board	Circuit imprimé	1,2	I/O-card Configured Not configured
	1	471 8995-02	Printed circuit board	Circuit imprimé	1,2	I/O-card Configured A4
30	1	471 8995-01	Printed circuit board	Circuit imprimé	1,2	I/O-card Configured Not configured
	1	471 8995-03	Printed circuit board	Circuit imprimé	1,2	I/O-card Configured A5
31	4	471 7958-01	Support	Support	3	
32	12	438 0299-01	Spacer	Entretoise	3	
33	1	471 8164-00	Grommet	Oeillet	3	D7
34	1	471 2440-40	Hose	Flexible	1	L=1400
35	1	471 2265-69	T-pipe	Tube en T	3	
36	1	471 2449-95	Hose	Flexible	1	L=100
37	1	471 2264-03	Hose	Flexible	1	L=150
38	10	471 8781-11	Block	Cale	3	
39	10	471 8781-01	Block	Cale	3	Grey
40	28	471 8781-02	Block	Cale	3	Orange
41	5	471 8781-03	Block	Cale	3	Yellow/Green
42	5	471 8781-04	Block	Cale	3	Orange



Issue	Month	Year
02	03	04

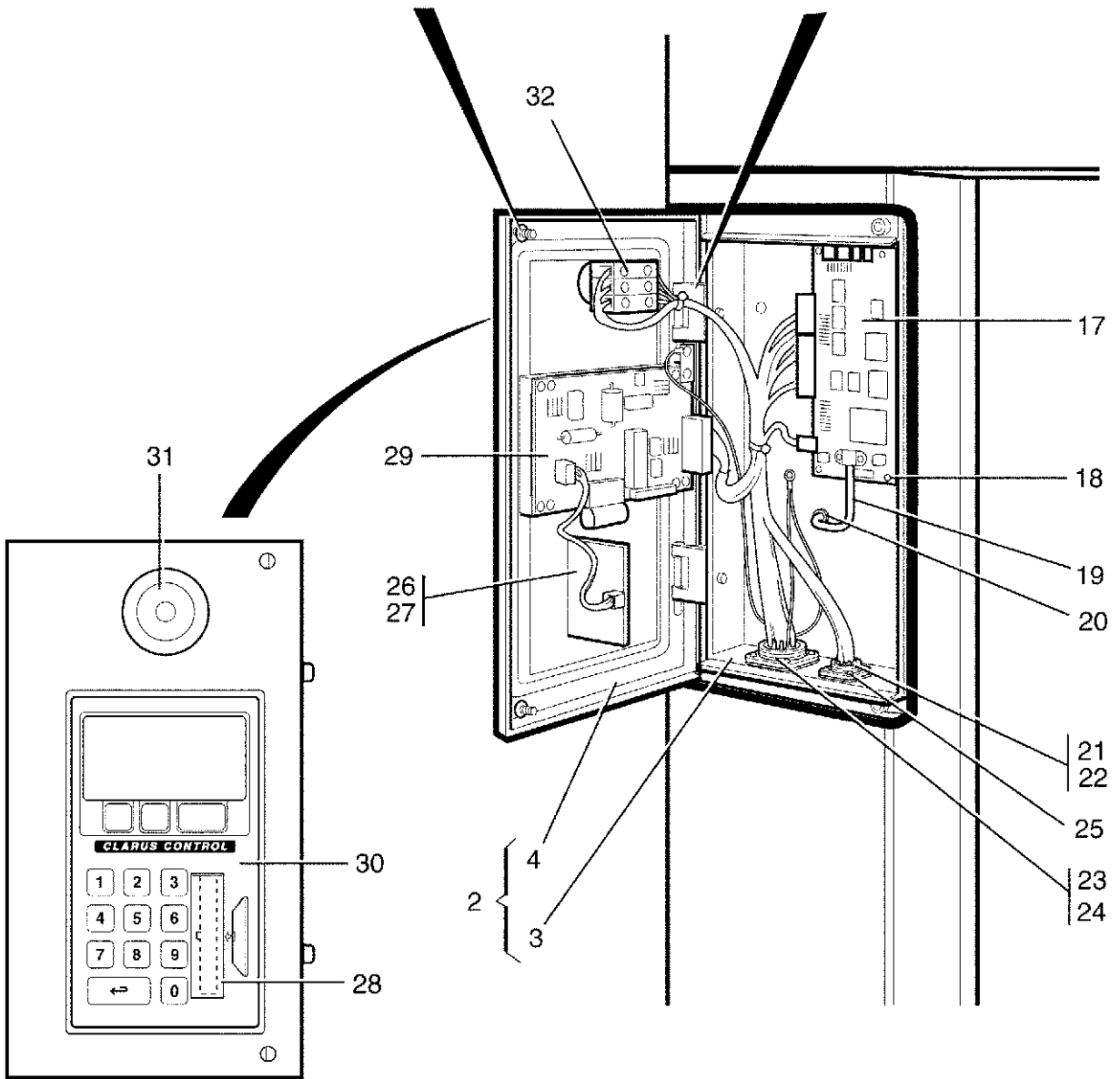
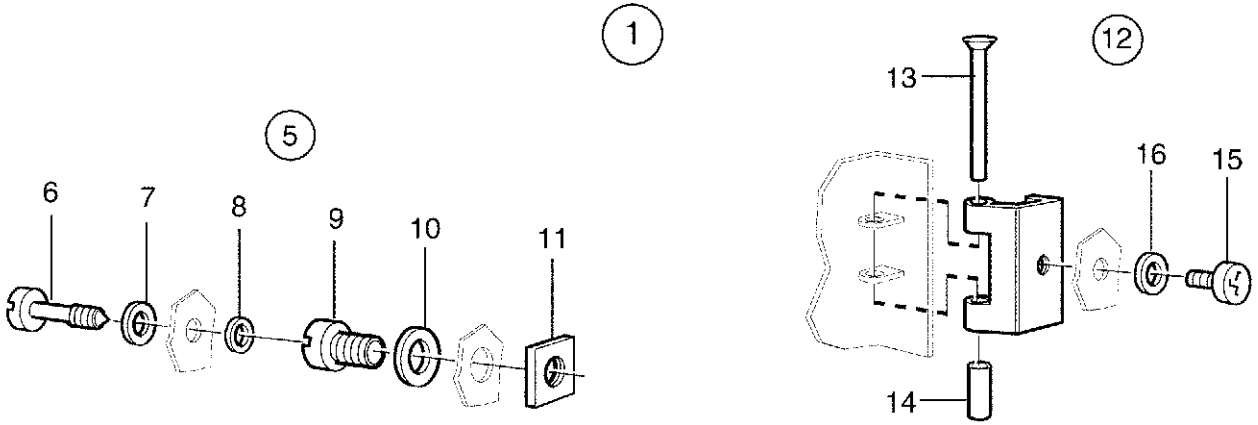
EX6100c

Electric cabinet, rear

Armoire électrique, arrière

Illustration Issue Month Year
Schéma Issue Month Year
101619/2 7 3 2004

Item Article	Qua. Qua.	Art.No Réf. article	Description	Description	Info Info	Notes Remarques
* 43	3	472 9904-64	Relay	Relais	1,2	
* 44	3		•Clamp	•Bride de fixation	3	
* 45	3	471 9649-02	Socket	Douille	1	
46	3	438 8152-03	Gasket	Joint	3	4-pole AMP
47	7	438 8152-02	Gasket	Joint	3	14-pole AMP
48	1	438 8152-01	Gasket	Joint	3	37-pole AMP
49	1	438 7950-01	Cover washer	Rondelle protection	3	4-pole
50	2	438 7950-02	Cover washer	Rondelle protection	3	14-pole
51	2	432 0175-01	Cover washer	Rondelle protection	3	14-pole
52						
53						
54						



Issue	Month	Year
02	10	98

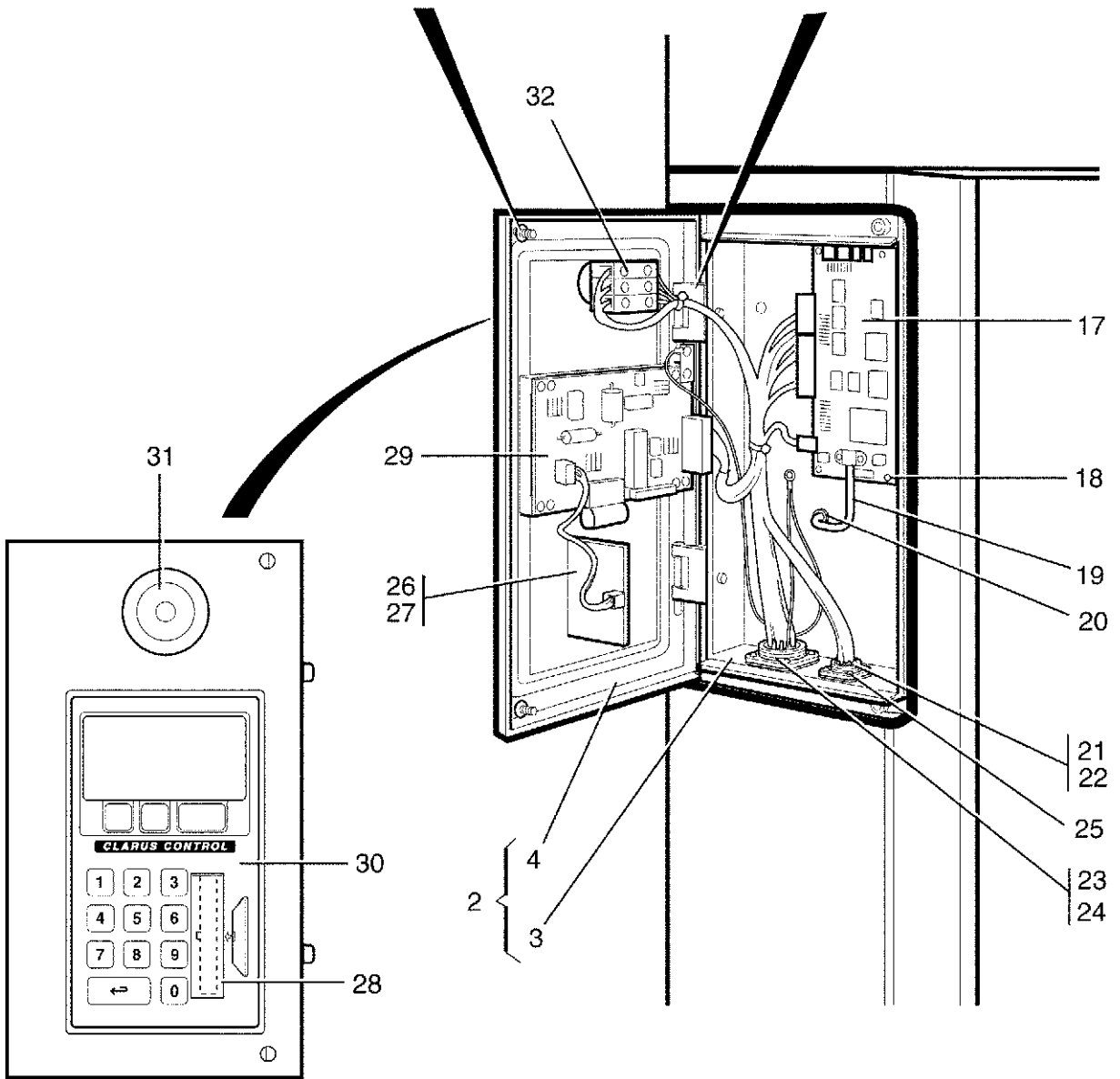
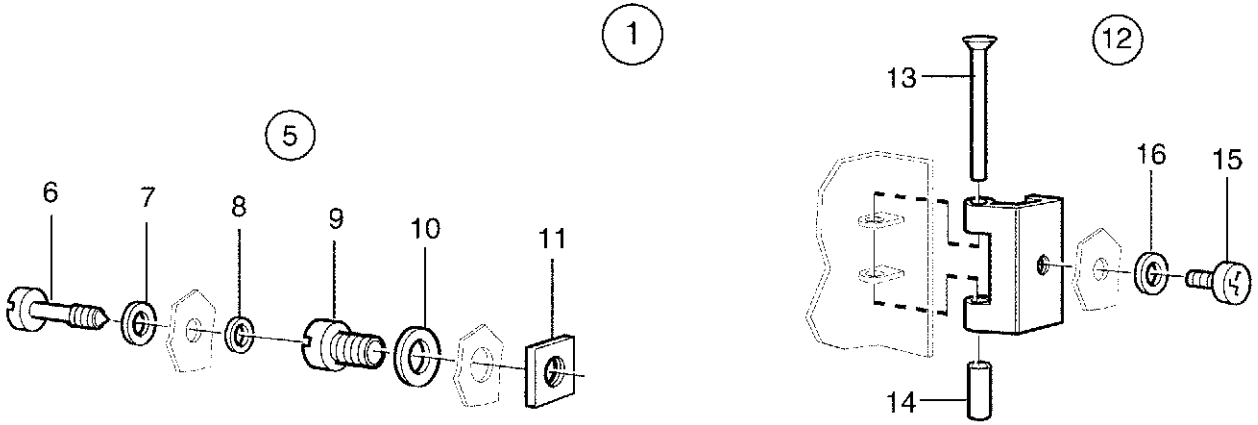
EX6100c

Electric cabinet, front

Armoire électrique, avant

Illustration Issue Month Year
Schéma Issue Month Year
101618/1 2 5 2004

Item Article	Qua. Qua.	Art.No Réf. article	Description	Description	Info Info	Notes Remarques
1	1		Plate	Plaque	3	
2	1	432 0173-01	•Box	•Boîtier	3	
3	1	432 0146-01	••Box	••Boîtier	3	
4	1	432 0143-01	••Door	••Porte	3	
5	2	471 8362-01	••Bracket	••Support de montage	3	
6	2	471 8362-10	•••Screw	•••Vis	3	
7	2	471 8362-20	•••Washer	•••Rondelle	3	
8	2	471 8362-30	•••Washer	•••Rondelle	3	
9	2	471 8362-40	•••Nut	•••Écrou	3	
10	2	471 8362-50	•••Washer	•••Rondelle	3	
11	2	471 8362-60	•••Nut	•••Écrou	3	
12	2	471 7837-01	••Hinge	••Charnière	3	
13	2	471 7837-30	•••Pin	•••Goupille/broche	3	
14	2	471 7837-40	•••Safety cover	•••Revêtement protection	3	
15	2	471 7837-50	•••Screw	•••Vis	3	
16	2	471 7837-60	•••Nut	•••Écrou	3	
17	1	471 8993-01	Printed circuit board	Circuit imprimé	1,2	Not configured El. heated
	1	432 0800-07	Printed circuit board	Circuit imprimé	1,2	El heated, English
	1	432 0800-13	Printed circuit board	Circuit imprimé	1,2	Steam heated, English
	1	432 0800-28	Printed circuit board	Circuit imprimé	1,2	Hot water, English
	1	432 0800-30	Printed circuit board	Circuit imprimé	1,2	El. heated, French
	1	432 0800-08	Printed circuit board	Circuit imprimé	1,2	Steam heated, French
	1	432 0800-16	Printed circuit board	Circuit imprimé	1,2	Steam heated, Spanish
	1	432 0800-09	Printed circuit board	Circuit imprimé	1,2	El heated, Spanish
	1	432 0800-25	Printed circuit board	Circuit imprimé	1,2	Hot water, Spanish
	1	432 0800-17	Printed circuit board	Circuit imprimé	1,2	Steam heated, Swedish
	1	432 0800-22	Printed circuit board	Circuit imprimé	1,2	El. heated, Polish
	1	432 0800-10	Printed circuit board	Circuit imprimé	1,2	Steam heated, Polish
	1	432 0800-11	Printed circuit board	Circuit imprimé	1,2	El heated, Czechish
	1	432 0800-01	Printed circuit board	Circuit imprimé	1,2	El heating ,Finnish
	1	432 0800-02	Printed circuit board	Circuit imprimé	1,2	Steam heated, Finnish
	1	432 0800-03	Printed circuit board	Circuit imprimé	1,2	Steam heated, Danish
	1	432 0800-15	Printed circuit board	Circuit imprimé	1,2	El heated, Danish
	1	432 0800-04	Printed circuit board	Circuit imprimé	1,2	El heated, Swedish
	1	432 0800-12	Printed circuit board	Circuit imprimé	1,2	Steam heated, Italian
	1	432 0800-29	Printed circuit board	Circuit imprimé	1,2	El. heated, German
	1	432 0800-05	Printed circuit board	Circuit imprimé	1,2	Steam heated, German
	1	432 0800-14	Printed circuit board	Circuit imprimé	1,2	Steam heated, Norwegian
	1	432 0800-06	Printed circuit board	Circuit imprimé	1,2	El. heated, Great Britain and USA
	1	432 0800-24	Printed circuit board	Circuit imprimé	1,2	Steam heated, Great Britain
	1	432 0800-19	Printed circuit board	Circuit imprimé	1,2	El. heating, Norwegian
	1	432 0800-20	Printed circuit board	Circuit imprimé	1,2	Steam heated, Japan
	1	432 0800-21	Printed circuit board	Circuit imprimé	1,2	El heated, Italian
	1	432 0800-18	Printed circuit board	Circuit imprimé	1,2	El.heated, Dutch
	1	432 0800-26	Printed circuit board	Circuit imprimé	1,2	Steam heated, Dutch
	1	432 0800-23	Printed circuit board	Circuit imprimé	1,2	Steam heated, USA
	1	432 0800-27	Printed circuit board	Circuit imprimé	1,2	Hot water, USA
18	4	471 8341-13	Screw	Vis	3	MRT 4X10
19	1	471 8118-01	Hose	Flexible	1	
20	1	471 8164-00	Grommet	Oeillet	3	D7
21	1	438 7300-40	Cable set	Jeu de câbles	3	
22	1	438 8152-03	Gasket	Joint	3	4-pole AMP
23	1	438 8152-01	Gasket	Joint	3	37-pole AMP
24	1	438 8152-01	Gasket	Joint	3	37-pole AMP
25	8	471 8454-01	Rivet	Rivet	3	
26	1	471 8793-01	Card reader	Lecteur de carte	1	
27	1	432 0150-01	Bracket	Pièce de retenue	3	
28	1	432 0149-01	Rubber cap	Capuchon caoutchouc	3	



Issue	Month	Year
02	10	98

EX6100c

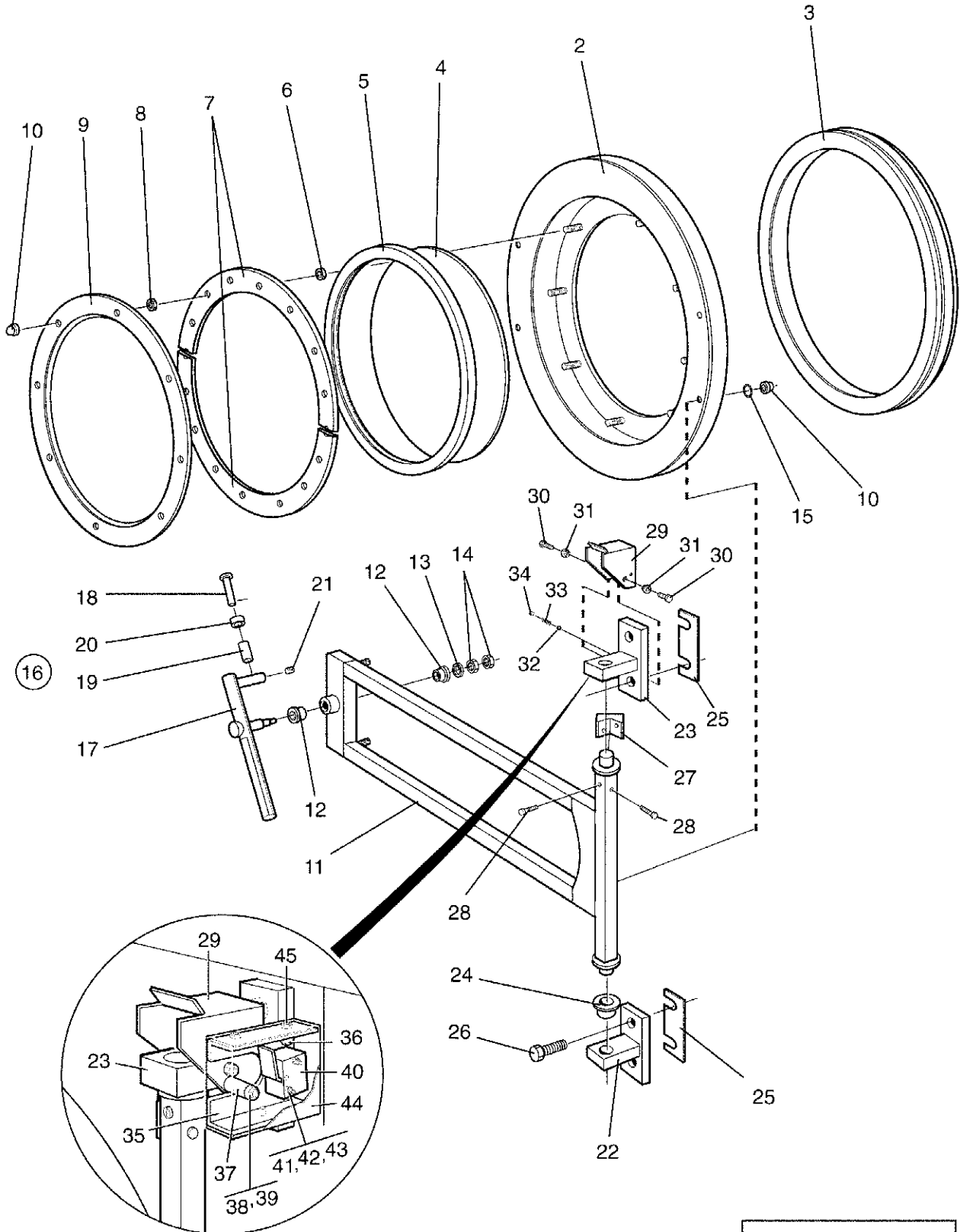
Electric cabinet, front

Armoire électrique, avant

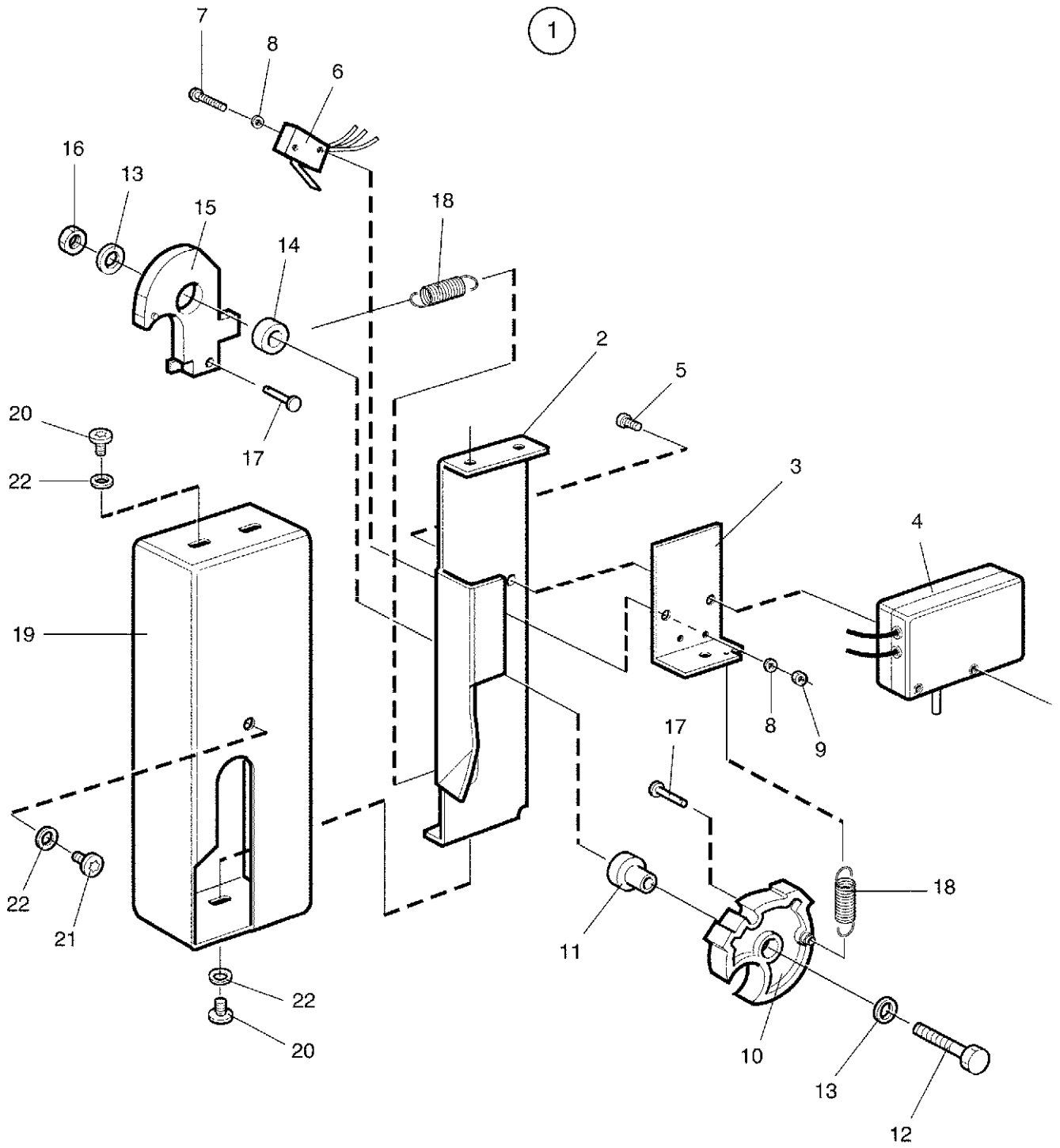
Illustration	Issue	Month	Year
Schéma	Issue	Month	Year
101618/1	2	5	2004

Item Article	Qua. Qua.	Art.No Réf. article	Description	Description	Info Info	Notes Remarques
29	1	471 8997-02	Display	Ecran de contrôle	1,2	
30	1	472 5784-01	Control panel	Pupitre de commande	1,2	EX6100c
31	1	471 9628-22	Emergency stop	Arrêt d'urgence	1	
	1	471 9628-32	Emergency stop	Arrêt d'urgence	1	
32	1	471 9628-90	Socket	Bloc de connexion	1	
	1	471 9628-33	Contact block	Bloc de connexion	1	

1



EX6100c					Illustration	Issue	Month	Year
Door					Schéma	Issue	Month	Year
Plaque					101426/1	8	9	2002
Item	Qua.	Art.No	Description	Description	Info	Notes		
Article	Qua.	Réf. article			Info	Remarques		
1	1	432 0034-01	Door	Plaque	3	Complete		
	1	432 0034-02	Door	Plaque	3	Complete		
2	1	471 5516-03	•Door ring	•Anneau de la porte	3			
3	1	471 5631-00	•Door gasket	•Joint de la porte	1,2			
4	1	432 0113-01	•Door glass	•Vitre de la porte	1,2			
	1	432 0113-02	•Door glass	•Vitre de la porte	1,2	Aqua clean Aqua clean		
5	1	471 5511-01	•Seal	•Joint	1			
6	16	471 5523-00	•Spacer	•Entretoise	3			
7	1	438 4832-01	•Washer	•Rondelle	3			
8	16	731 2316-01	•Nut	•Écrou	3	M6		
9	1	471 5525-01	•Ring	•Anneau	3			
10	16	732 3116-14	•Nut	•Écrou	3	M6		
11	1	472 6208-00	•Frame	•Châssis	3			
12	2	471 9228-98	•Bearing	•Coussinet	1			
13	1	471 2461-40	•Washer	•Rondelle	3			
14	1	732 2120-01	•Locking nut	•Contre-écrou	3	M10		
15	4	734 1153-09	•Washer	•Rondelle	3	BRB 6,4X12		
16	1	432 0029-01	•Handle	•Poignée	3	Complete FLE-MP		
	1	432 0171-01	•Handle	•Poignée	3	Complete FLE Clarus		
17	1	432 0028-01	••Handle	••Poignée	3	FLE-MP		
	1	432 0172-01	••Handle	••Poignée	3	FLE Clarus		
18	1	471 2461-25	••Pin	••Goupille	1	FLE-MP		
	1	432 0168-01	••Pin	••Goupille	1	FLE Clarus		
19	1	471 2461-27	••Pipe	••Tube	3	FLE-MP		
	1	432 0169-01	••Sleeve	••Manchon	3	FLE Clarus		
20	1	471 9228-97	••Bearing	••Coussinet	3			
21	1	728 8445-01	••Screw	••Vis	3	SK6SS 8X10		
22	1	472 6211-00	Bracket	Support de montage	3			
23	1	472 9375-01	Hinge mounting	Montage de charnière	3			
24	2	471 9209-24	Bearing	Coussinet	1			
25	2	471 2418-14	Plate	Plaque	3			
26	4	725 2536-42	Screw	Vis	3	M12X30 SS		
27	1	472 9373-01	Door stop	Butée	3			
28	2	471 8344-28	Screw	Vis	3	M5X30		
29	1	472 9361-01	Cover	Couvercle	3			
30	2	725 2327-51	Screw	Vis	3	M5X12		
31	2	471 8577-02	Bushing	Douille	3			
32	1	738 6117-13	Ball	Bille	3			
33	1	471 7803-19	Spring	Ressort	3			
34	1	728 8362-11	Screw	Vis	3			
35	1	432 0151-01	Bracket	Support de montage	3			
36	2	471 8341-22	Screw	Vis	3	MRT 5X8		
37	1	432 0153-01	Pin	Goupille/broche	3			
38	1	471 8341-17	Screw	Vis	3	M4X25		
39	1	734 1136-01	Washer	Rondelle	3	BRB 4,3X9		
40	1	471 9625-02	Microswitch	Microrupteur	1,2			
41	2	471 8341-07	Screw	Vis	3	MRT 3X25		
42	2	734 1124-01	Washer	Rondelle	3	BRB 3X7		
43	2	732 2110-01	Locking nut	Contre-écrou	3	M3		
44	1	432 0152-01	Cover	Couvercle	3			
45	3	471 8341-13	Screw	Vis	3	MRT 4X10		



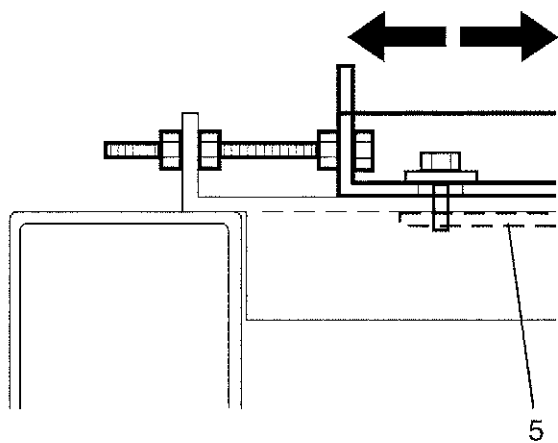
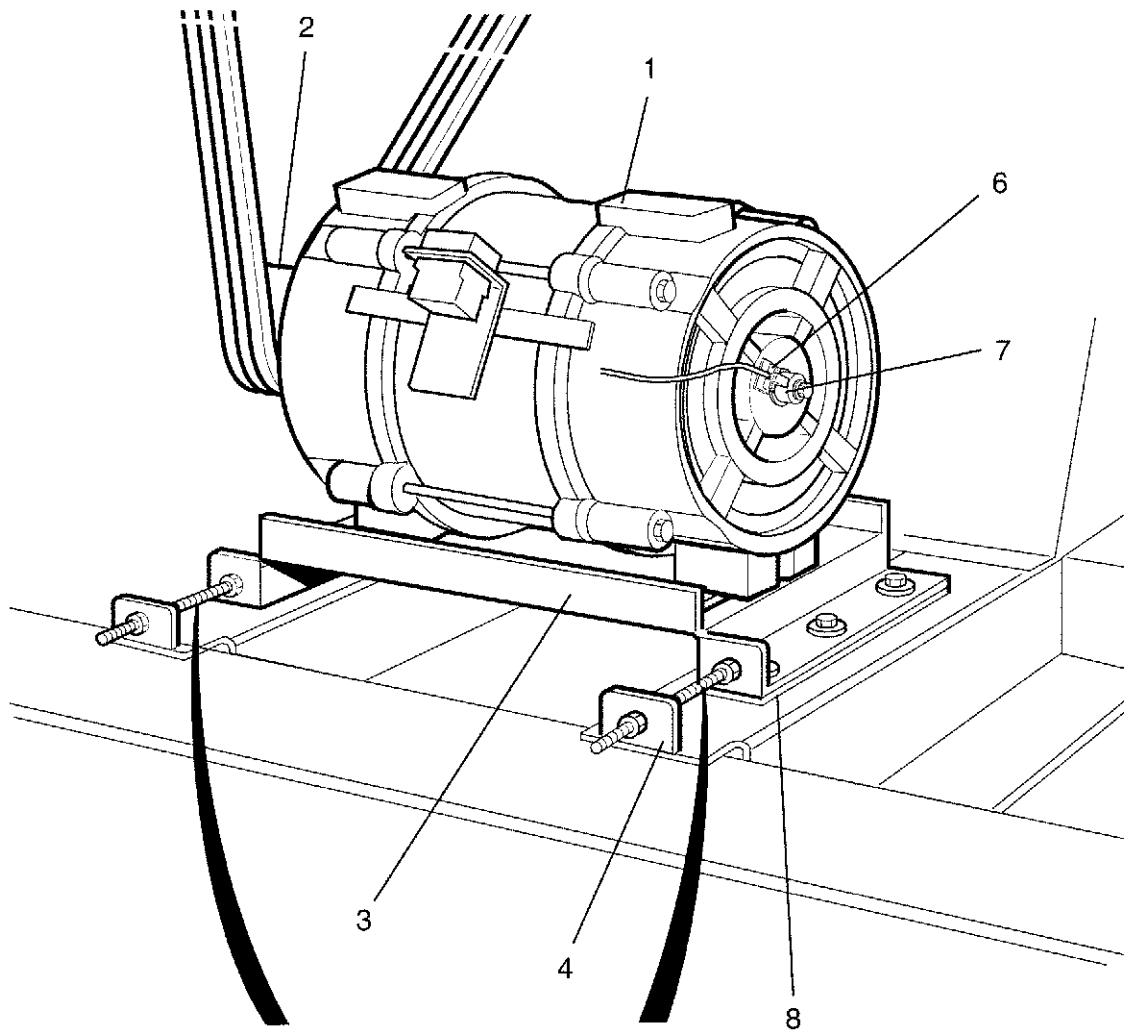
EX6100c

Door lock

Serrure de porte

Illustration Issue Month Year
Schéma Issue Month Year
101487/1 3 10 2000

Item Article	Qua. Qua.	Art.No Réf. article	Description	Description	Info Info	Notes Remarques
1	1	432 0170-01	Door locking device	Serrure de porte	1	Complete
2	1	432 0158-01	•Bracket	•Pupitre	3	
3	1	432 0159-01	•Plate	•Plaque	3	
4	1	438 7300-43	•Actuator	•Actuator	1,2	
5	2	471 8341-24	•Screw	•Vis	3	M5X12
6	1	471 9625-03	•Microswitch	•Microrupteur	1,2	
7	2	471 8341-07	•Screw	•Vis	3	MRT 3X25
8	2	734 1124-01	•Washer	•Rondelle	3	BRB 3X7
9	2	732 2110-01	•Locking nut	•Contre-écrou	3	M3
10	1	432 0161-01	•Wheel	•Roue	1	
11	1	471 7477-01	•Shaft	•Arbre	1	
12	1	725 2461-51	•Screw	•Vis	3	M8X50
13	2	471 8502-14	•Washer	•Rondelle	3	BRB 8,4X17
14	1	471 7476-01	•Bushing	•Douille	3	
15	1	432 0164-01	•Cam	•Came	1	
16	1	731 2318-01	•Nut	•Écrou	3	M8
17	2	471 7976-01	•Bolt	•Boulon	3	
18	2	471 7876-01	•Spring	•Ressort	1	
19	1	432 0167-01	•Cover	•Couvercle	3	
20	3	471 8344-24	•Screw	•Vis	3	M5X12
21	1	471 8345-23	•Screw	•Vis	3	5X10
22	4	734 1146-09	•Washer	•Rondelle	3	BRB 5,3X10



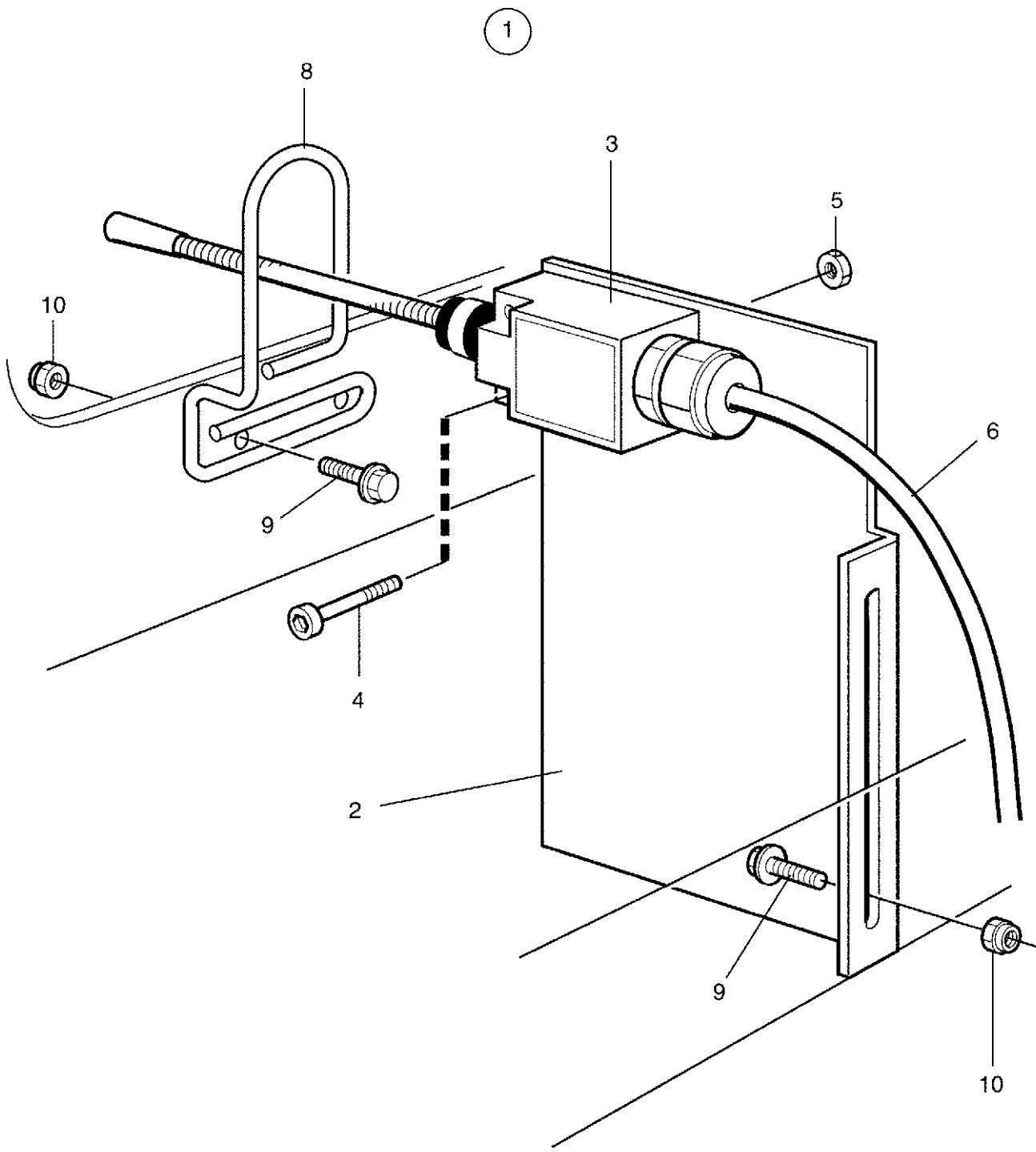
EX6100c

Motor

Moteur

Illustration Issue Month Year
Schéma Issue Month Year
101423/3 4 12 2001

Item Article	Qua. Qua.	Art.No Réf. article	Description	Description	Info Info	Notes Remarques
1	1	471 9769-01	Motor	Moteur	1,2	
	1	471 9769-02	Motor	Moteur	1,2	
2	1	472 6382-01	Pulley	Poulie	3	
3	1	432 0015-01	Motor bracket	Support du moteur	3	
4	2	432 0016-01	Motor mounting plate	Châssis montage moteur	3	
5	2	432 0022-01	Motor mounting	Montage du moteur	3	
6	1	471 8984-01	Sensor	Capteur	1,2	
7	1	471 9578-50	Magnet	Aimant	1,2	
8	3	432 0085-01	Spacer	Entretoise	3	



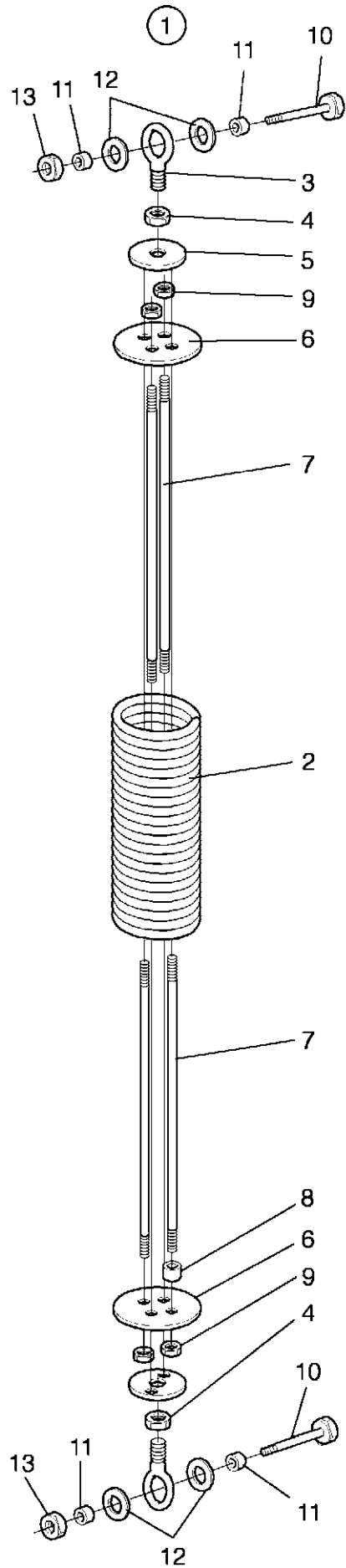
EX6100c

Out of balance switch

Commutateur asymétrique

Illustration Issue Month Year
Schéma Issue Month Year
101650/1 1 3 1999

Item Article	Qua. Qua.	Art.No Réf. article	Description	Description	Info Info	Notes Remarques
1	1	432 0457-01	Out of balance switch	Commutateur asymétrique	3	Complete
2	1	432 0456-01	Bracket	Pupitre	3	
3	1	471 9608-00	Out of balance switch	Commutateur asymétrique	1,2	
4	2	471 8344-28	Screw	Vis	3	M5X30
5	2	732 2114-92	Locking nut	Contre-écrou	3	M5
6	1	438 7300-19	Cable set	Jeu de câbles	3	
7	1	471 8780-31	Nut	Écrou	3	15
8	1	438 4381-01	Sensor	Détecteur	1	
9	4	725 2370-61	Screw	Vis	3	M6SF 6X20
10	4	732 2116-01	Locking nut	Contre-écrou	3	M6



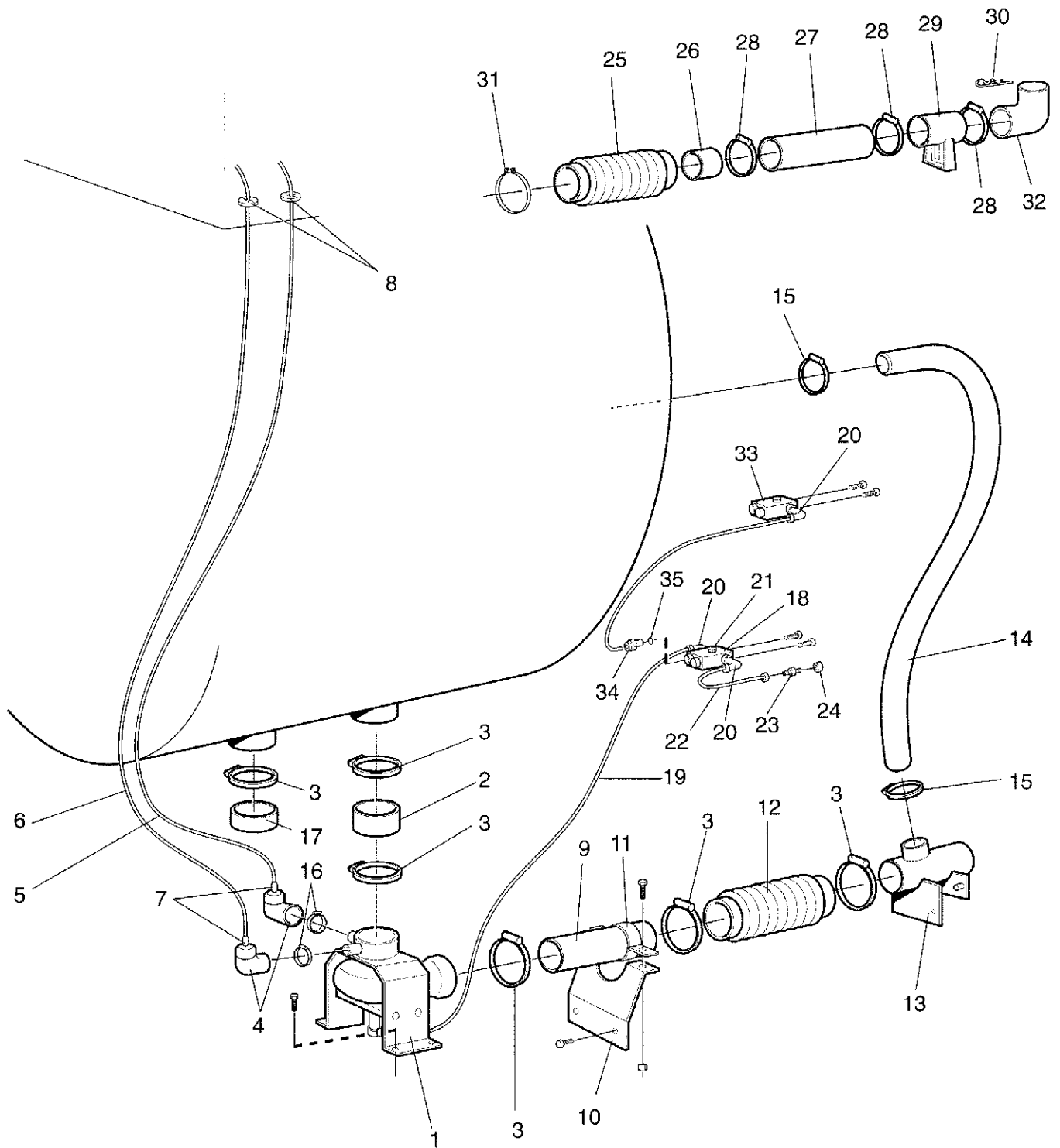
EX6100c

Suspension

Suspension

Illustration Schéma **100322**
Issue Issue **3**
Month Month **4**
Year Year **1998**

Item Article	Qua. Qua.	Art.No Réf. article	Description	Description	Info Info	Notes Remarques
1	1	472 6234-01	Suspension unit	Organe de suspension	1	
2	1	471 7816-06	•Pressure spring	•Ressort de pression	1	
3	2	471 8307-00	•Link head	•Tête de liaison	3	
4	2	731 2322-01	•Nut	•Écrou	3	M12
5	2	472 6231-00	•Circular plate	•Plaque circulaire	3	
6	2	472 6233-00	•End support	•Support	3	
7	4	472 6232-00	•Rod	•Barre	3	
8	4	471 8576-00	•Bushing	•Douille	1	
9	8	731 2318-01	•Nut	•Écrou	3	M8
10	8	725 2544-51	Screw	Vis	3	M12X60
11	16	472 6256-00	Spacer	Entretoise	3	
12	16	734 1178-01	Washer	Rondelle	3	BRB 13X24
13	8	732 2122-01	Locking nut	Contre-écrou	3	M12



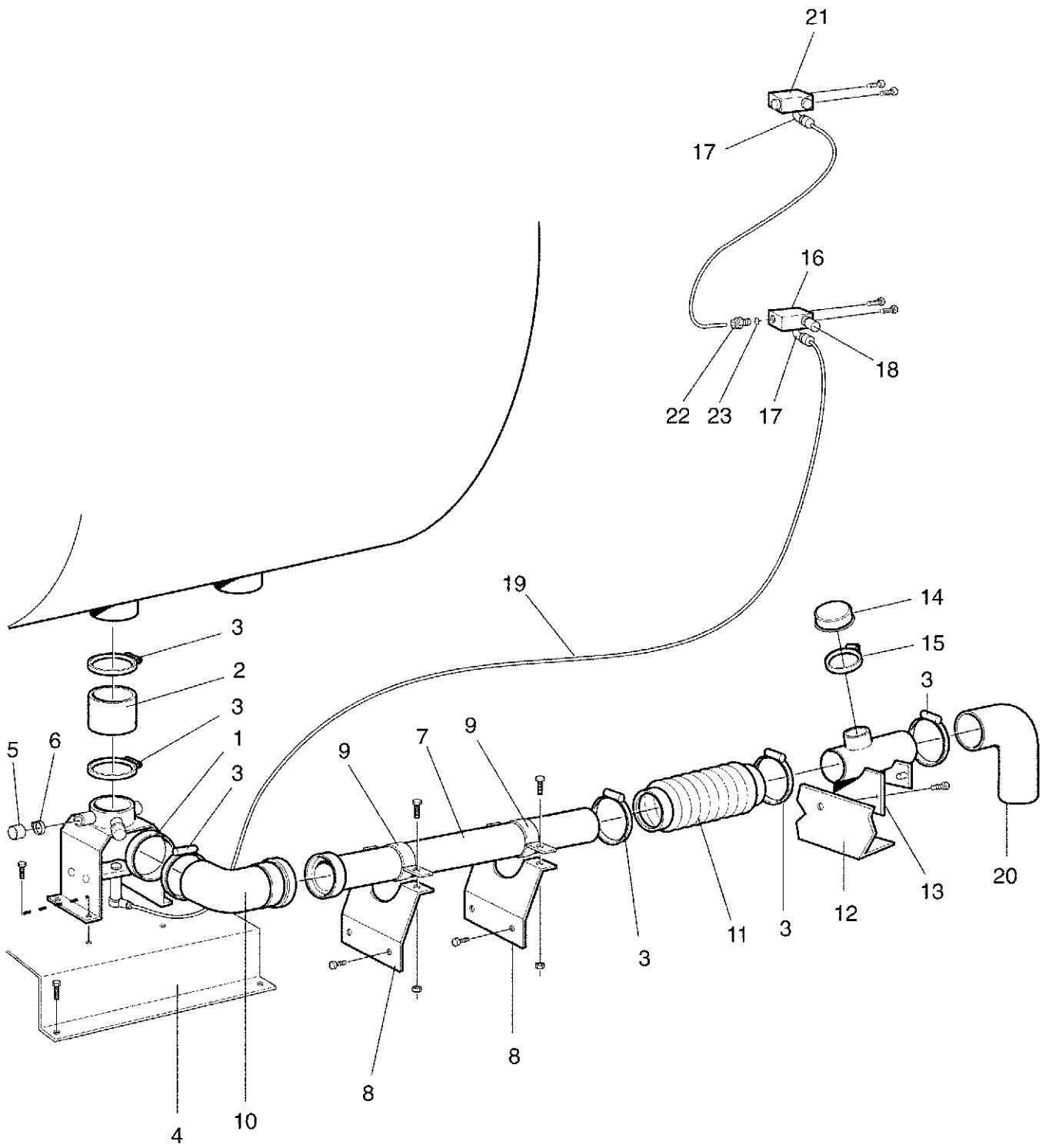
EX6100c

Drain and hoses

Écoulement et flexibles

Illustration Issue Month Year
Schéma Issue Month Year
101428 5 4 2001

Item Article	Qua. Qua.	Art.No Réf. article	Description	Description	Info Info	Notes Remarques
1	1		Drain valve	Purgeur		
2	1	471 8128-55	Hose	Flexible	1	
3	6	736 2855-51	Hose clamp	Attache flexible	3	Ø138
4	2	471 2095-32	Air chamber	Chambre à air	1	
5	1	471 8118-06	Hose	Flexible	1	L=1900
6	1	471 8118-09	Hose	Flexible	1	L=2200
7	2	471 2401-52	Nipple	Raccord	1	
8	2	471 8164-00	Grommet	Oeillet	3	D7
9	1	471 8613-03	Tube	Tube	3	
10	1	432 0032-01	Bracket	Pièce de retenue	3	
11	1	471 7855-02	Clamp	Attache	3	
12	1	438 4972-01	Hose	Flexible	1	
13	1	438 4925-01	Connection	Connexion	3	
14	1	432 0043-01	Hose	Flexible	1	
15	2	736 2846-51	Hose clamp	Attache flexible	3	Ø73-83
16	2	736 2840-51	Hose clamp	Attache flexible	3	Ø50-63
17	1	438 4973-01	Cover	Couvercle	3	
18	1	471 8229-01	Valve	Soupape	1,2	50Hz
	1	471 8229-02	Valve	Soupape	1,2	60Hz
19	1	438 8102-02	Hose	Flexible	3	
20	3	471 8690-22	Angle connector	Raccord d'angle	3	
21	1	471 8690-81	Plug	Fiche	3	
22	1	471 2456-71	Pipe	Tube	1	
23	1	471 8690-32	Connection	Embrayage	3	
24	1	471 8690-91	Bushing	Douille	3	
25	1	472 6025-00	Hose	Flexible	1	
26	1	471 8613-05	Tube	Tube	3	Ø50, L=80
27	1	471 8128-56	Hose	Flexible	1	
28	4	736 2840-51	Hose clamp	Attache flexible	3	Ø50-63
29	1	471 2903-01	Joint piece	Raccord	3	
30	1	471 7867-01	Pin	Goupille/broche	3	
31	1	472 6024-00	Ring	Anneau	3	
32	1	472 7206-01	Hose	Flexible	3	
33	1	471 9202-32	Solenoid valve	Électrovanne	1,2	50Hz
	1	471 9202-33	Solenoid valve	Électrovanne	1,2	60Hz
34	1	471 8690-71	Connection	Embrayage	3	
35	1	740 4206-00	O-ring	Joint torique	3	



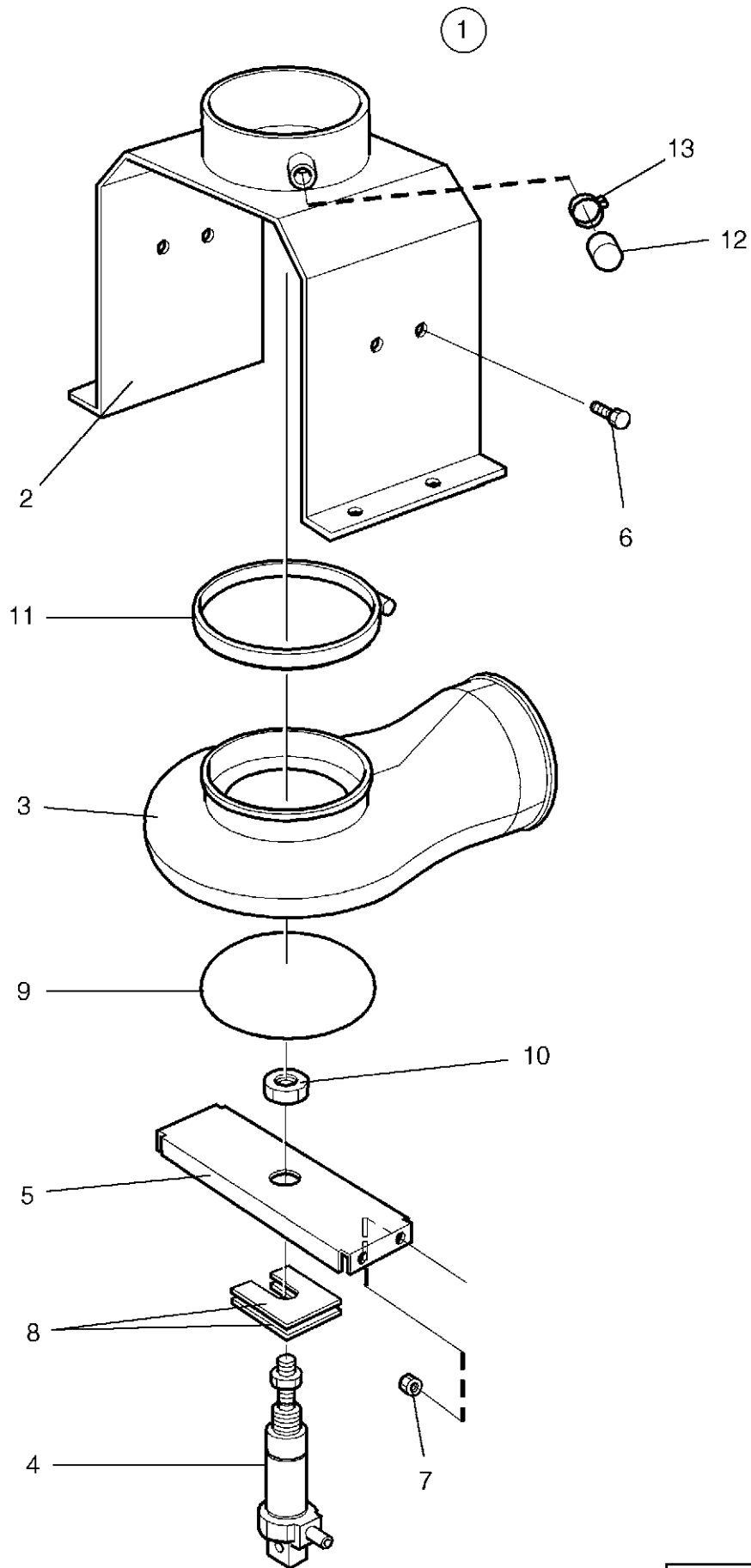
EX6100c

Drain valve and hoses, water recovery

Purgeur et flexibles, recyclage

Illustration Issue Month Year
Schéma Issue Month Year
101438 4 4 1998

Item Article	Qua. Qua.	Art.No Réf. article	Description	Description	Info Info	Notes Remarques
1	1		Drain valve	Purgeur		
2	1	471 8128-55	Hose	Flexible	1	
3	6	736 2855-51	Hose clamp	Attache flexible	3	Ø138
4	1	432 0046-01	Bracket	Pièce de retenue	3	
5	1	471 2416-83	Hood	Capot	3	
6	1	736 2825-51	Hose clamp	Attache flexible	3	Ø32
7	1	471 8613-04	Tube	Tube	3	
8	2	432 0032-01	Bracket	Pièce de retenue	3	
9	2	471 7855-02	Clamp	Attache	3	
10	1	471 8610-02	Tube	Tube	3	
11	1	438 4972-01	Hose	Flexible	1	
12	1	432 0039-02	Beam	Poutre	3	
13	1	438 4925-01	Connection	Connexion	3	
14	1	472 9087-01	Hood	Capot	3	
15	1	736 2849-51	Hose clamp	Attache flexible	3	Ø77-93
16	1	471 8229-01	Valve	Soupape	1,2	50Hz
	1	471 8229-02	Valve	Soupape	1,2	60Hz
17	2	471 8690-22	Angle connector	Raccord d'angle	1	
18	1	471 8626-03	Nipple	Raccord	1	
19	1	438 8102-02	Hose	Flexible	1	
20	1	432 0047-01	Hose	Flexible	3	
21	1	471 9202-32	Solenoid valve	Électrovanne	1,2	50Hz
	1	471 9202-33	Solenoid valve	Électrovanne	1,2	60Hz
22	1	471 8690-71	Connection	Embrayage	1	
23	1	740 4206-00	O-ring	Joint torique	1	



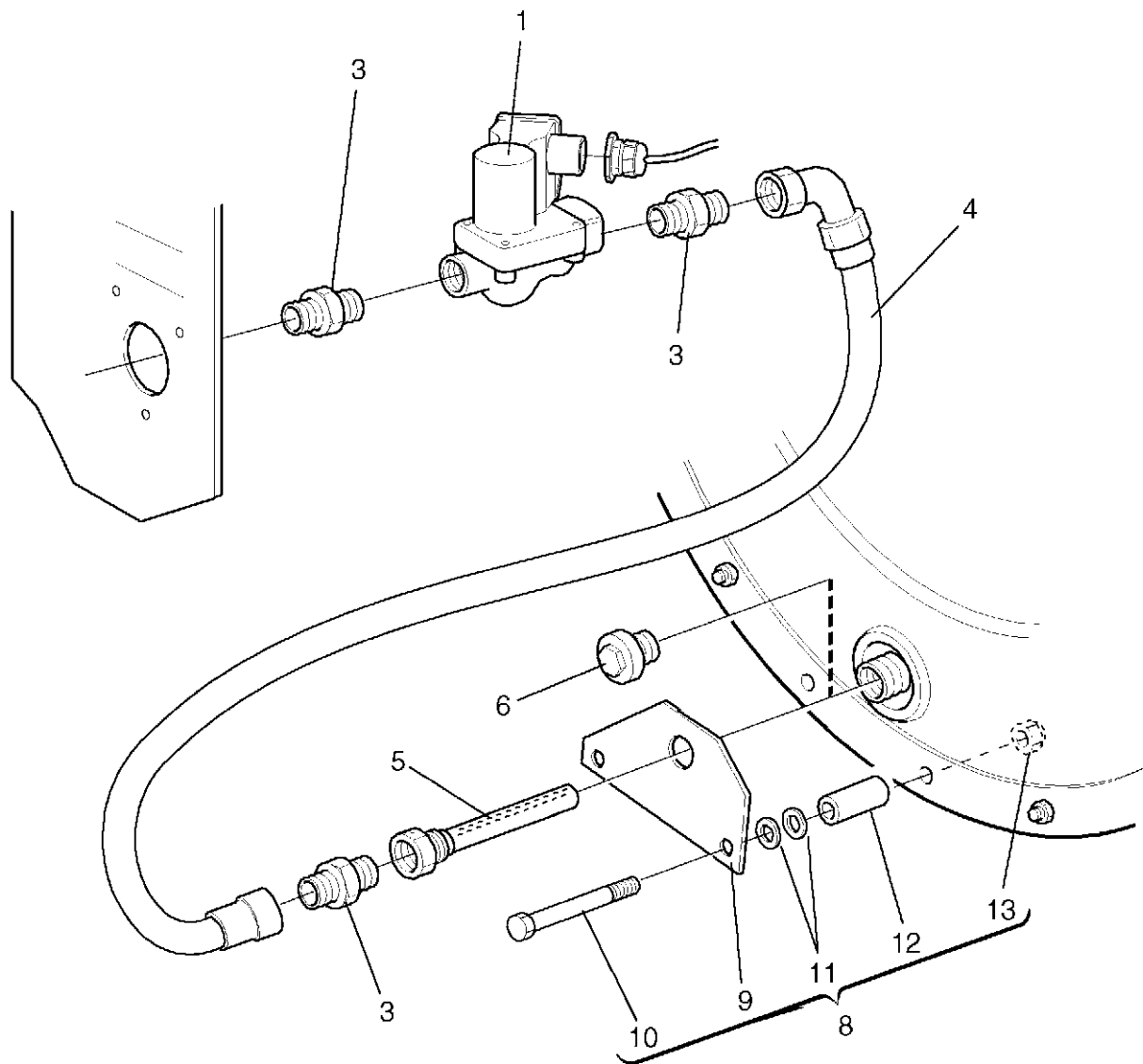
EX6100c

Drain valve

Purgeur

Illustration Issue Month Year
Schéma Issue Month Year
101432/3 2 4 1998

Item Article	Qua. Qua.	Art.No Réf. article	Description	Description	Info Info	Notes Remarques
1	1	438 4982-01	Drain valve	Purgeur	1	Complete
2	1	438 4951-01	•Housing	•Logement	3	
3	1	438 4921-01	•Hose	•Flexible	1,2	
4	1	471 8281-01	•Air cylinder	•Air cylinder	1,2	
5	1	438 4961-01	•Bracket	•Bride	3	
6	4	725 2366-61	•Screw	•Vis	3	M6SF 6X12
7	4	732 2116-01	•Locking nut	•Contre-écrou	3	M6
8	2	432 0067-01	•Washer	•Rondelle	3	
9	2	438 4924-01	•Pressure plate	•Plaque de pression	3	
10	1	732 2118-01	•Locking nut	•Contre-écrou	3	M8
11	1	736 2865-51	•Hose clamp	•Attache flexible	3	
12	1	471 9037-73	•Sleeve	•Manchon	3	
13	1	736 2816-51	•Hose clamp	•Attache flexible	3	Ø13-19



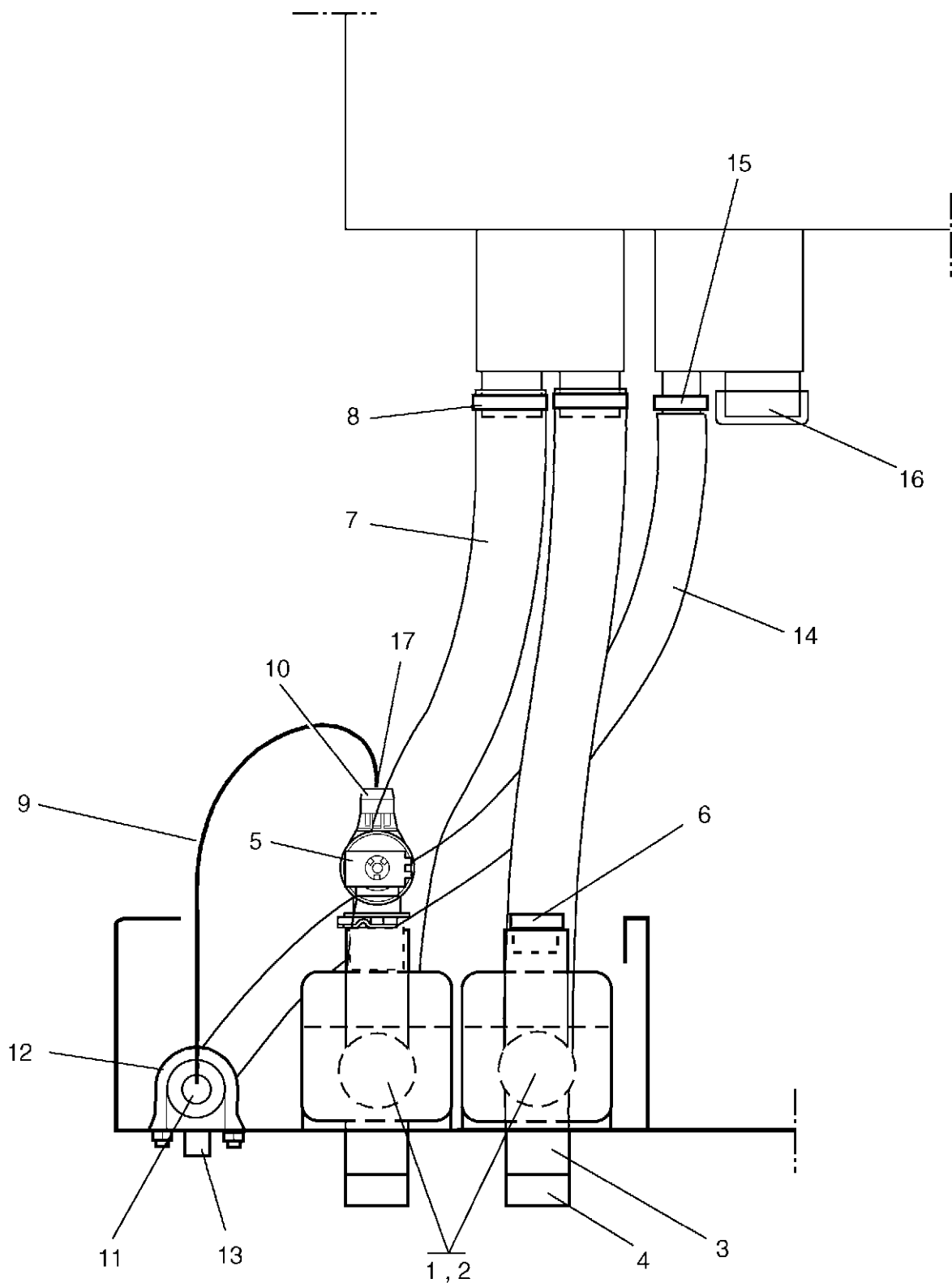
EX6100c

Steam components

Illustration Issue Month Year
Schéma Issue Month Year
101464/5 7 12 2001

Composants

Item Article	Qua. Qua.	Art.No Réf. article	Description	Description	Info Info	Notes Remarques
1	1	471 8279-04	Valve	Soupape	1,2	
	1	471 8279-09	•Repair kit	•Kit de réparation	1,2	
	1	471 8232-14	Valve	Soupape	1,2	Air controlled
2						Not used
3	3	471 9219-38	Nipple	Raccord	3	3/4"
4	1	471 8126-23	Hose	Flexible	1,2	
5	1	432 0473-01	Steam injector	Injecteur de vapeur	3	
6	1	741 5115-24	Plug	Fiche	3	3/4"
7						Not used
8	1	438 4541-01	Repair kit	Kit reconditionnement	1	
9	1	432 0464-01	•Support	•Support	3	
10	2	725 2509-51	•Screw	•Vis	3	M10X90
11	4	734 1173-01	•Washer	•Rondelle	3	BRB 10,5X21
12	2	432 0465-03	•Spacer	•Entretoise	3	
13	2	471 8409-05	•Locking nut	•Contre-écrou	3	M10



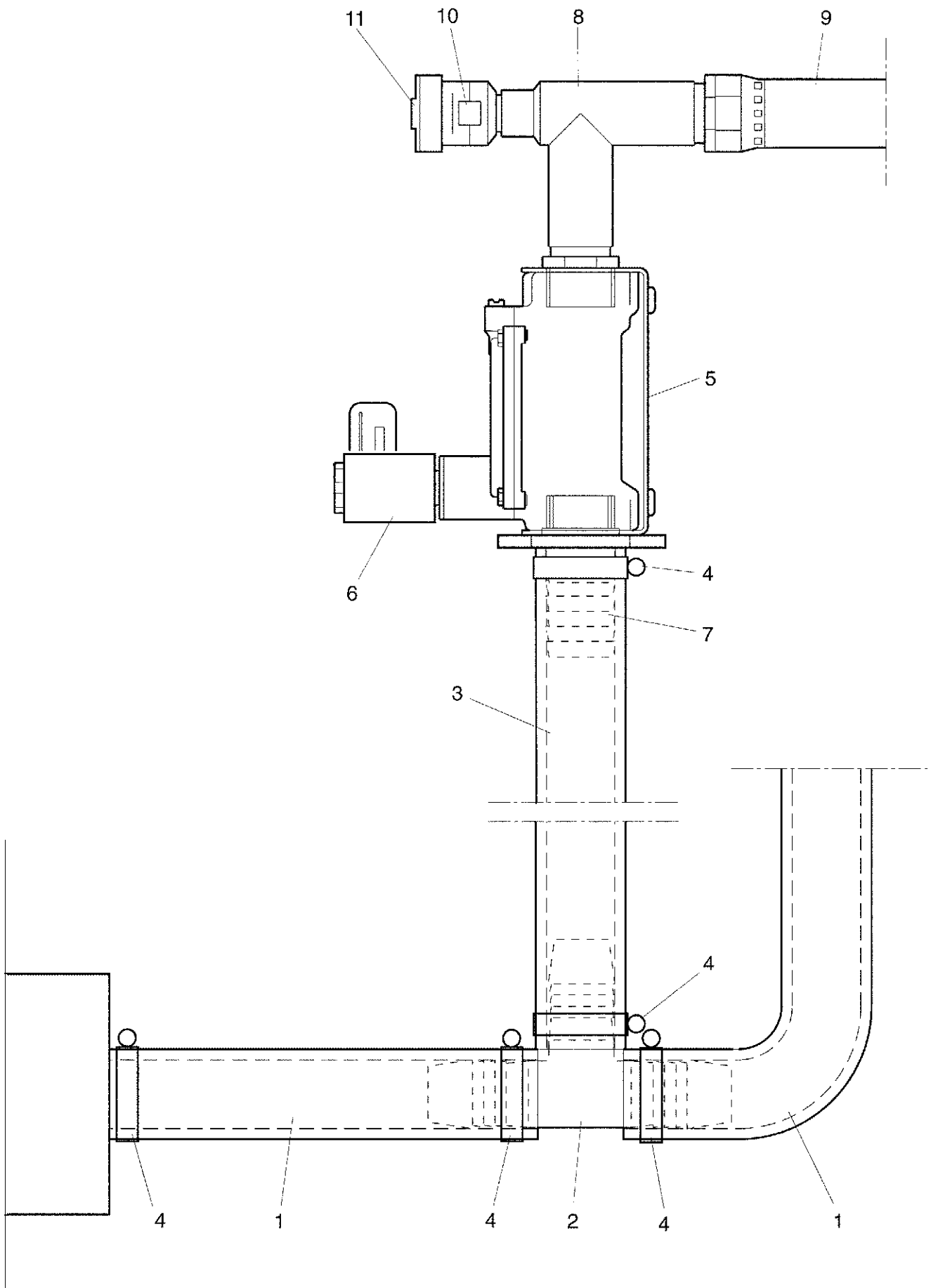
EX6100c

Water connections

Raccords d'eau

Illustration Issue Month Year
Schéma Issue Month Year
101429 6 4 2001

Item Article	Qua. Qua.	Art.No Réf. article	Description	Description	Info Info	Notes Remarques
1	2	471 8210-32	Valve	Soupape	1,2	1 1/4" 50Hz
	2	471 8210-31	Valve	Soupape	1,2	1 1/4" 60Hz
2	2	438 4967-10	Bracket	Support de montage	3	
3	2	472 6365-03	T-pipe	Tube en T	3	1 1/4" VALVES
4	2	744 3117-06	Filter	Filtre	1	R 1 1/4"
5	1	471 8234-52	Valve	Soupape	1,2	208-240V 60Hz See group 8113
6	1	741 5115-24	Plug	Fiche	3	3/4"
7	2	432 0052-01	Hose	Flexible	1	
8	4	736 2831-51	Hose clamp	Attache flexible	3	Ø36-42
9	RQ	877 5211-08	Hose	Flexible	1	Per 1 m PER 1M
10	6	736 2816-51	Hose clamp	Attache flexible	3	Ø13-19
11	1	432 0035-01	Tube	Tube	3	
12	2	471 7858-05	Clamp	Attache	3	
13	5	471 8651-50	Plug	Fiche	3	
14	1	471 8117-10	Hose	Flexible	1	L=680
15	4	736 2825-51	Hose clamp	Attache flexible	3	Ø32
16	1	471 2032-39	Hood	Capot	3	
17	1	471 8234-95	Restrictor	Réducteur de débit	3	



Issue	Month	Year
01	01	97

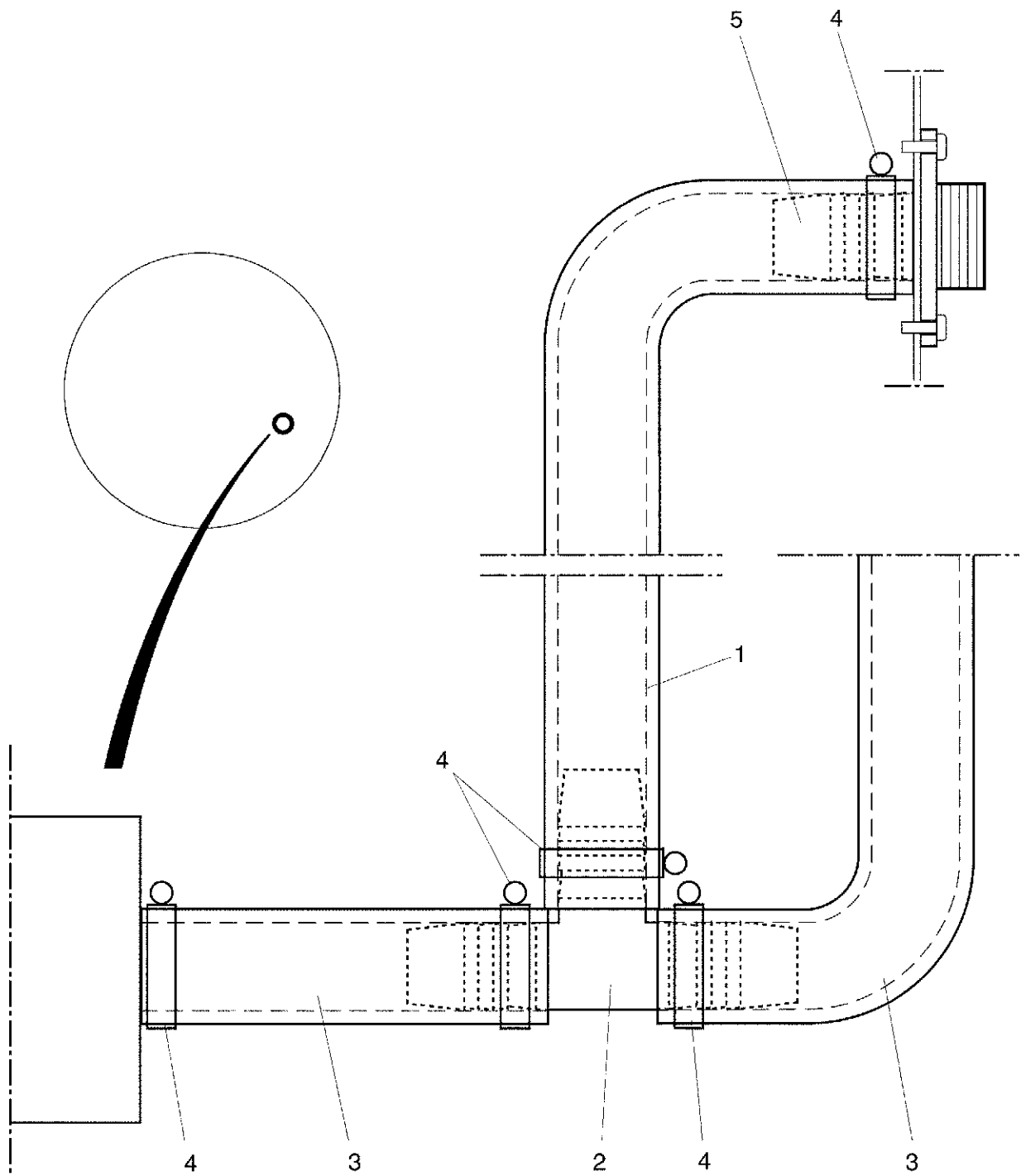
EX6100c

Third water valve

Soupapes vapeur et eau

Illustration Issue Month Year
Schéma Issue Month Year
101461 3 5 1998

Item Article	Qua. Qua.	Art.No Réf. article	Description	Description	Info Info	Notes Remarques
1	1	432 0052-11	Hose	Flexible	1	
2	1	471 8673-01	Y-pipe	Collecteur	3	
3	1	432 0052-10	Hose	Flexible	1	
4	5	736 2831-51	Hose clamp	Attache flexible	3	Ø36-42
5	1	438 4967-10	Bracket	Support de montage	3	
6	1	471 8210-32	Valve	Soupape	1,2	1 1/4" 50Hz
	1	471 8210-31	Valve	Soupape	1,2	1 1/4" 60Hz
7	1	472 6375-02	Hose nipple	Mamelon de flexible	3	1 1/4"
8	1	472 6365-03	T-pipe	Tube en T	3	1 1/4" VALVES
9	1	471 8126-07	Hose	Flexible	1	
10	1	744 3117-06	Filter	Filtre	1	R 1 1/4"
11	1	741 5115-24	Plug	Fiche	3	3/4"



EX6100c

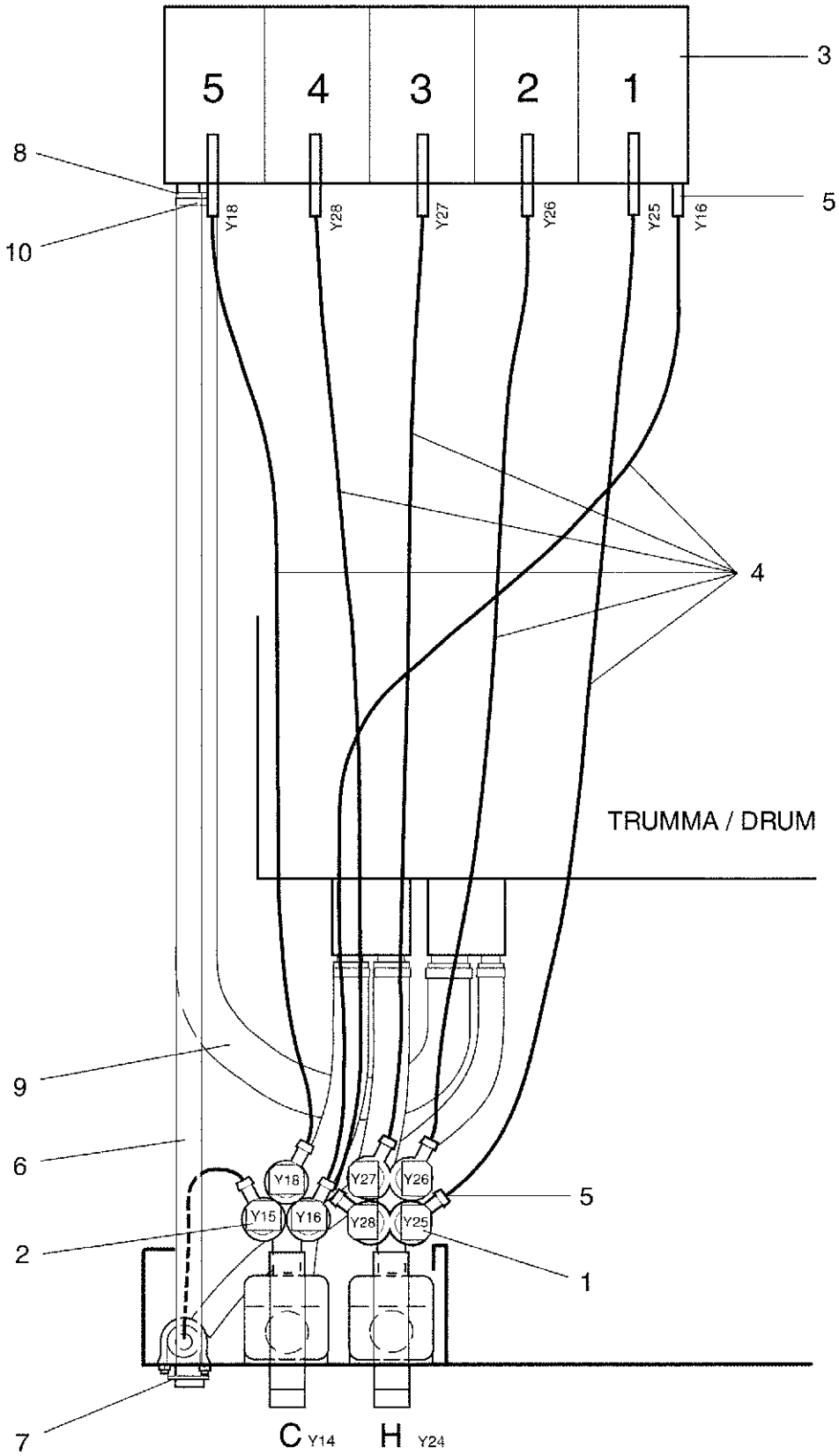
Return water connection via pump

Raccord eau retour par pompe

Illustration	Issue	Month	Year
Schéma	Issue	Month	Year
101460	2	4	1998

Item Article	Qua. Qua.	Art.No Réf. article	Description	Description	Info Info	Notes Remarques
1	1	432 0052-01	Hose	Flexible	1	
2	1	471 8673-01	Y-pipe	Collecteur	3	
3	1	432 0052-10	Hose	Flexible	1	
4	5	736 2831-51	Hose clamp	Attache flexible	3	Ø36-42
5	1	472 7261-01	Nipple	Raccord	3	

TMPF



Issue	Month	Year
01	03	98

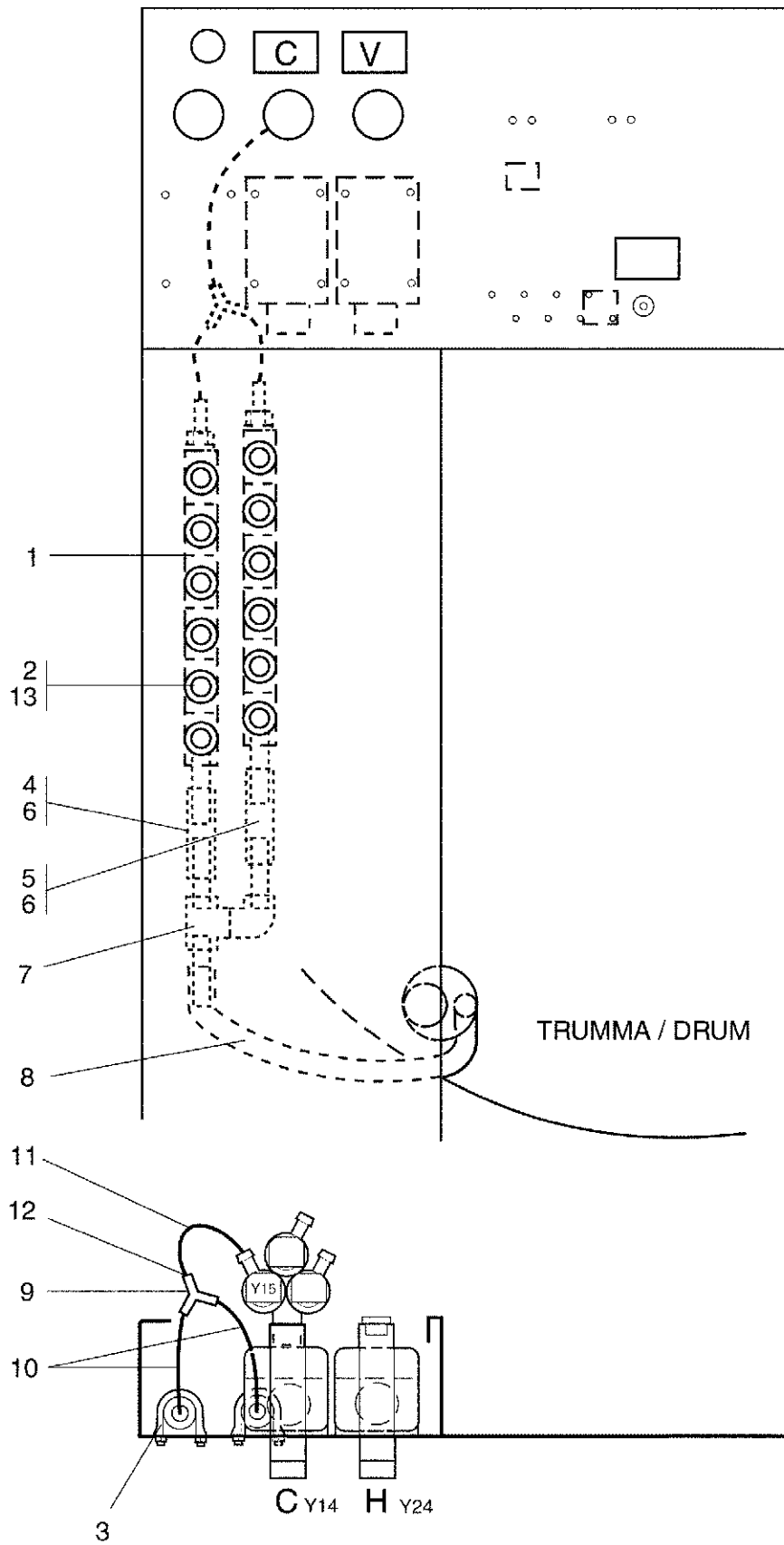
EX6100c

Water connection, detergent container

Raccord eau compartiment à savon

Illustration Issue Month Year
Schéma Issue Month Year
101622 2 10 2000

Item Article	Qua. Qua.	Art.No Réf. article	Description	Description	Info Info	Notes Remarques
1	1	471 8240-57	Valve	Soupape	1,2	See group 8114
2	1	471 8236-52	Valve	Soupape	1,2	208-240V See group 8113
3	1		Detergent container	Compartiment à savon		
4	RQ	877 5211-08	Hose	Flexible	1	Per 1 m PER 1M
5	13	736 2816-51	Hose clamp	Attache flexible	3	Ø13-19
6	1	438 0145-14	Hose	Flexible	1	
7	1	438 0127-01	Lock	Serrure	3	
8	1	736 2825-51	Hose clamp	Attache flexible	3	Ø32
9	1	432 0058-01	Hose	Flexible	1	
10	2	736 2840-51	Hose clamp	Attache flexible	3	Ø50-63



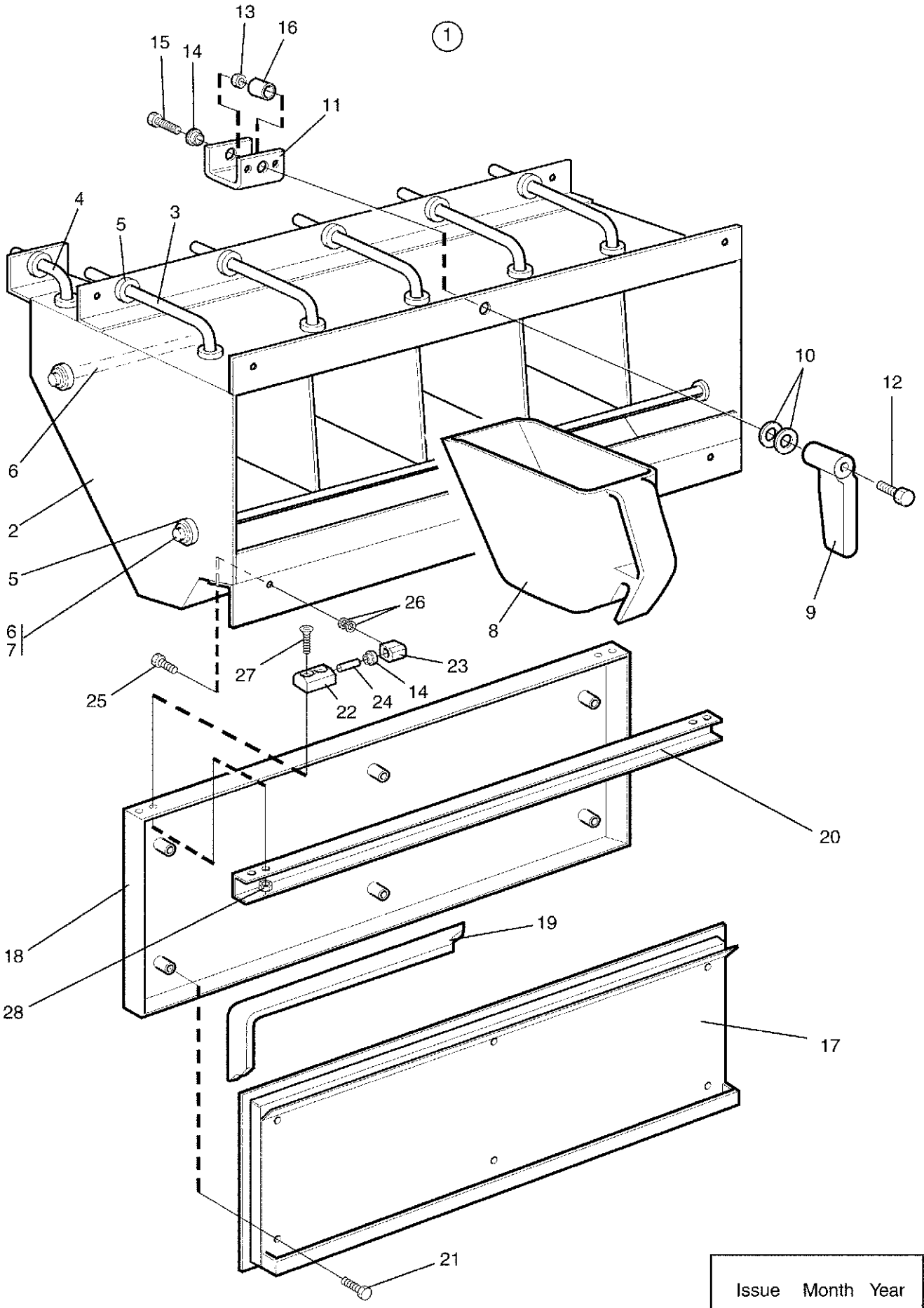
EX6100c

Water connection liquid detergent

Raccord eau produit de lavage liquide

Illustration Issue Month Year
Schéma Issue Month Year
101623 1 4 1998

Item Article	Qua. Qua.	Art.No Réf. article	Description	Description	Info Info	Notes Remarques
1	1	432 0035-01	Tube	Tube	3	
2	5	471 8651-50	Plug	Fiche	3	
3	2	471 7858-05	Clamp	Attache	3	
4	1	471 2436-02	Hose	Flexible	1	
5	1	471 2461-04	Hose	Flexible	1	
6	6	736 2825-51	Hose clamp	Attache flexible	3	Ø32
7	1	432 0074-01	T-pipe	Tube en T	3	
8	1	471 2440-39	Hose	Flexible	1	
9	1	471 8628-21	Y-pipe	Collecteur	3	
10	2	471 2449-94	Hose	Flexible	1	
11	1	471 2460-99	Hose	Flexible	3	
12	4	736 2816-51	Hose clamp	Attache flexible	3	Ø13-19
13	5	471 8682-04	Hose nipple	Mamelon de flexible	3	



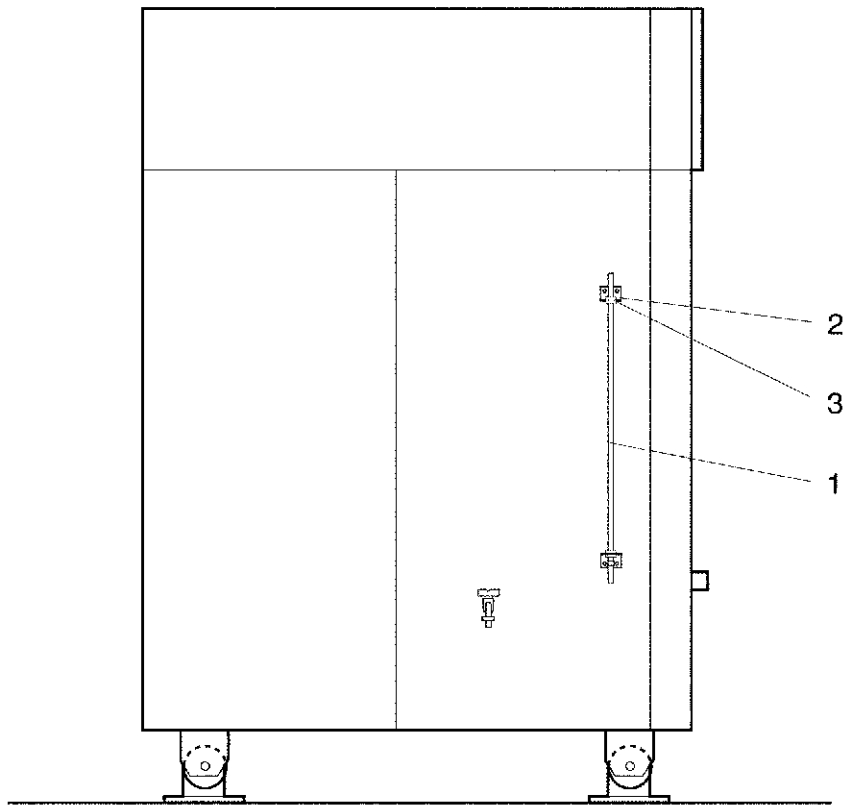
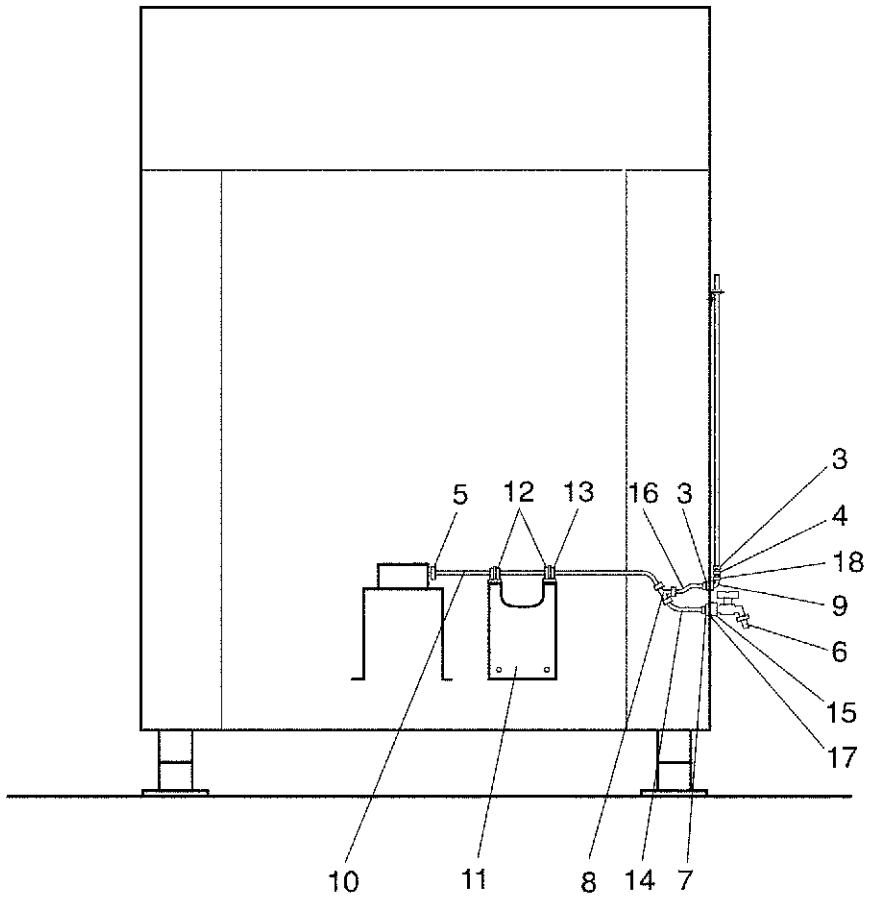
EX6100c

Dispensing components

Distributeur de savon

Illustration Issue Month Year
Schéma Issue Month Year
101452/2 6 3 2003

Item Article	Qua. Qua.	Art.No Réf. article	Description	Description	Info Info	Notes Remarques
1	1	472 7256-03	Detergent container	Compartiment à savon	3	Complete
2	1	472 7260-02	•Detergent container	•Compartiment à savon	3	
3	5	432 0054-02	•Pipe	•Tube	3	
4	1	432 0054-01	•Elbow	•Tube coudé	3	
5	16	471 8164-01	•Grommet	•Oeillet	3	
6	2	472 6346-01	•Support	•Support	3	
7	4	735 5852-00	•Washer	•Rondelle	3	
8	5	472 6374-01	•Cup	•Godet	1	
9	1	472 6028-01	•Handle	•Poignée	1	
10	2	734 1178-09	•Washer	•Rondelle	3	BRB 13X24
11	1	471 4210-01	•Clamp	•Bride de fixation	3	
12	1	725 5340-01	•Screw	•Vis	3	M5X45
13	1	731 2314-01	•Nut	•Écrou	3	M5
14	3	471 8577-02	•Bushing	•Douille	1	
15	1	471 8344-28	•Screw	•Vis	3	M5X30
16	1	472 6029-01	•Shaft	•Arbre	3	
17	1	432 0477-01	•Door	•Plaque	3	
18	1	472 6363-05	•Cover	•Couvercle	3	
19	1	471 8174-01	•Strip	•Ruban	1	
20	1	432 0476-01	•U-section	•Fer en forme de U	3	
21	6	471 8320-01	•Screw	•Vis	3	M6X12
22	2	472 6397-02	•Bracket	•Support de montage	3	
23	2	472 6396-01	Bracket	Support de montage	3	
24	2	720 1307-06	Pin	Goupille	3	
25	2	725 2327-42	•Screw	•Vis	3	M5X12
26	10	734 1153-09	•Washer	•Rondelle	3	BRB 6,4X12
27	4	471 8348-17	•Screw	•Vis	3	M4X20
28	4	732 2112-42	•Locking nut	•Contre-écrou	3	M4



Issue	Month	Year
04	10	99

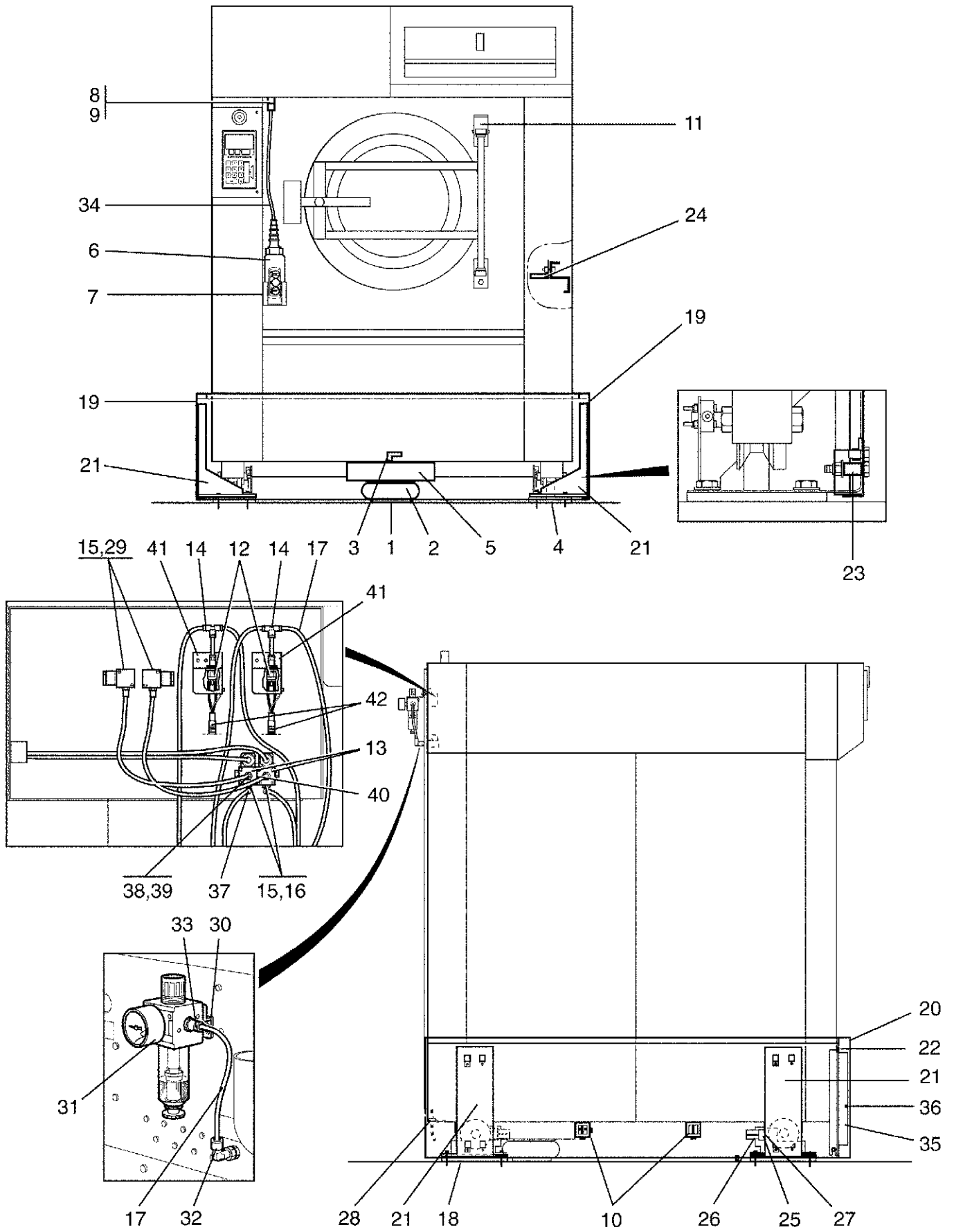
EX6100c

Level tube and test tap

Tuyau de niveau et robinet de test

Illustration Issue Month Year
Schéma Issue Month Year
101433/1 3 4 1998

Item Article	Qua. Qua.	Art.No Réf. article	Description	Description	Info Info	Notes Remarques
1	1	471 8665-04	Glass gauge	Tube à niveau d'eau	1	
2	2	471 2841-01	Bracket	Support de montage	3	
3	3	471 8164-01	Grommet	Oeillet	3	
4	RQ	471 8140-13	Hose	Flexible	1	PER 1M
5	6	736 2816-51	Hose clamp	Attache flexible	3	Ø13-19
6	1	471 8238-01	Tap	Robinet	3	
7	1	471 8614-04	Hose nipple	Mamelon de flexible	3	
8	1	471 8628-21	Y-pipe	Collecteur	3	
9	1	472 6345-01	Elbow	Tube coudé	3	
10	1	471 8140-10	Hose	Flexible	1	
11	1	432 0064-01	Bracket	Support de montage	3	
12	1	471 8117-11	Hose	Flexible	1	
13	2	471 7858-04	Clamp	Attache	3	
14	1	471 8140-11	Hose	Flexible	1	
15	1	471 8690-04	Muff	Tubulure	3	
16	1	471 8140-12	Hose	Flexible	1	
17	1	471 8159-06	Gasket	Joint	1	
18	2	736 2119-11	Hose clamp	Attache flexible	3	



Issue	Month	Year
03	10	03

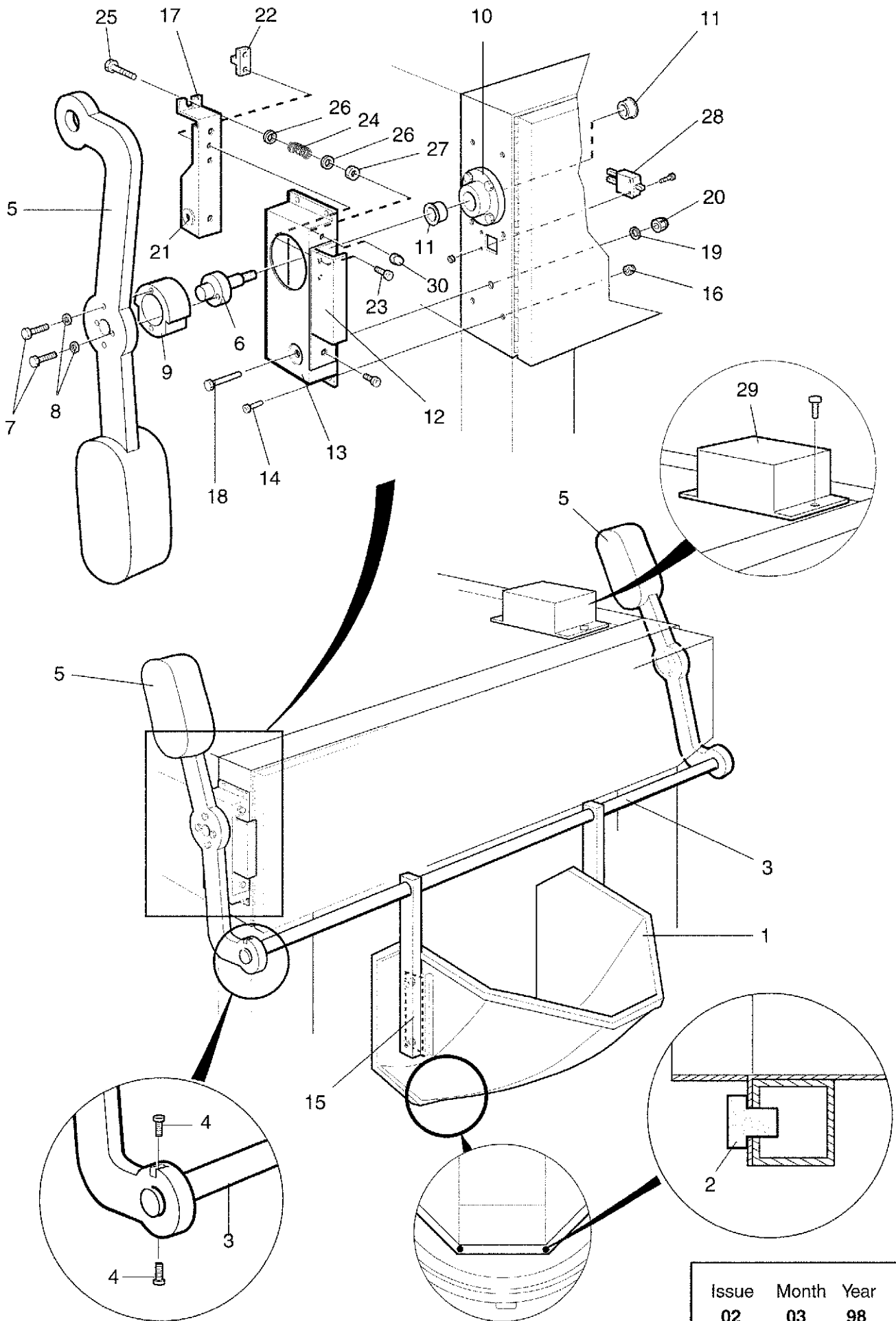
EX6100c

Tilt, forward and forward/backward

Basculement, avant et avant/arrière

Illustration Issue Month Year
Schéma Issue Month Year
101620/3 5 10 2003

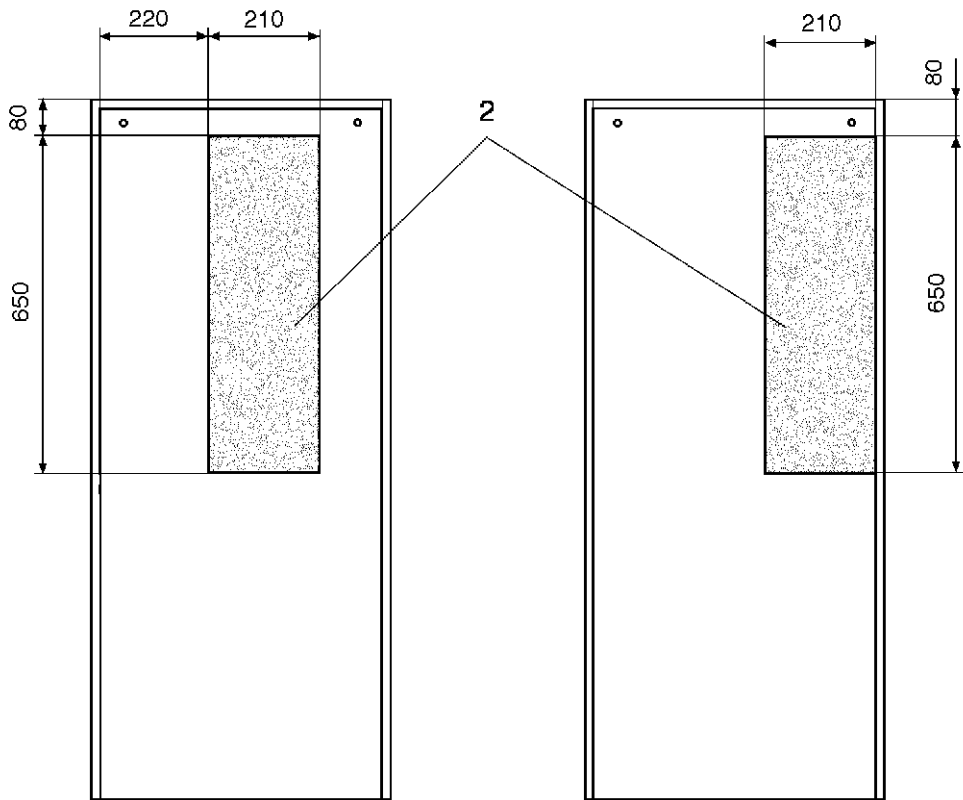
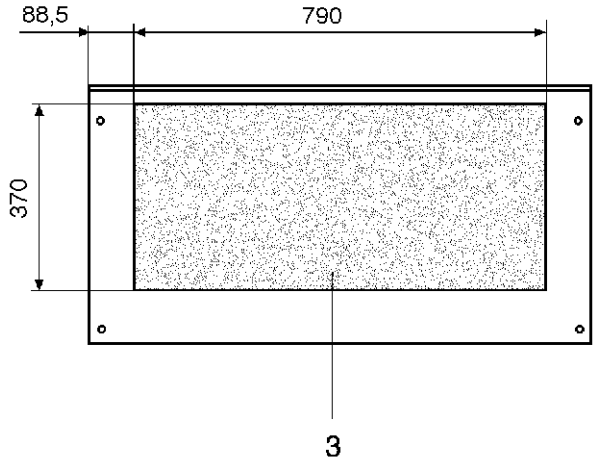
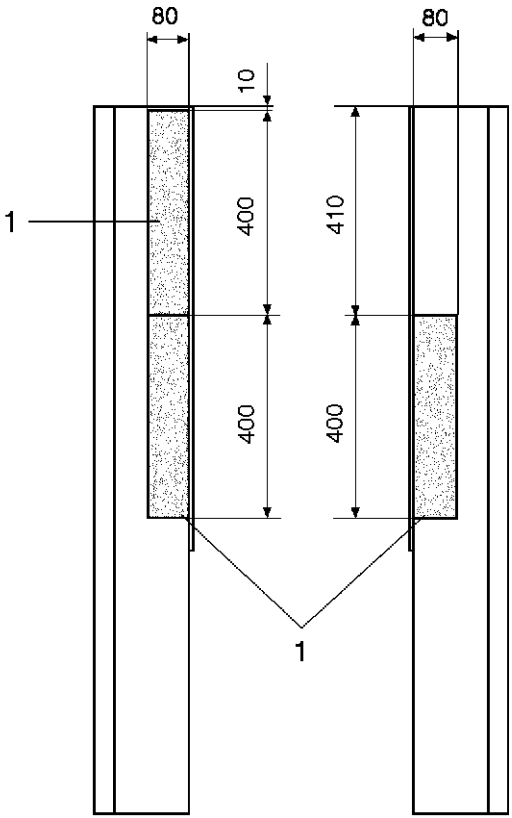
Item Article	Qua. Qua.	Art.No Réf. article	Description	Description	Info Info	Notes Remarques
1	RQ	471 4207-01	Plate	Tableau	3	
2	RQ	471 8271-02	Cylinder	Cylindre	1	
3	RQ	471 8690-22	Angle connector	Raccord d'angle	1	
4	4	472 6818-03	Foot	Pied	3	
5	RQ	471 4005-62	Mounting plate	Plaque de montage	3	
6	1	471 8796-01	Control for tilting	Bouton-poussoir	1	3-button
7	1	432 0178-01	Bracket	Pièce de retenue	3	
8						Not used
9						Not used
10	RQ	472 7286-01	Beam	Poutre	3	
11	1	472 9388-04	Door locking device	Dispositif fermeture de porte	3	
12	RQ	471 8862-01	Pressure sensor	Capteur de pression	1,2	
13	RQ	471 8229-01	Valve	Soupape	1,2	50Hz
	RQ	471 8229-02	Valve	Soupape	1,2	60Hz
14	RQ	471 8690-51	T-coupling	Raccord en T	3	
15	RQ	471 8690-22	Angle connector	Raccord d'angle	1	
16	RQ	471 8626-03	Nipple	Raccord	1	
17	RQ	438 8102-04	Hose	Flexible	1	PER 5M
18	2	472 9214-02	Plate	Plaque	3	
19	2	432 0060-01	Side cover	Protection latérale	3	
20	1	432 0061-01	Front panel	Panneau avant	3	
21	4	432 0062-01	Pillar	Montant	3	
22	2	471 8196-01	Plug	Fiche	3	
23	2	472 9209-01	Pin	Goupille	3	
24	2	432 0063-01	Catch	Dispositif blocage	3	
25	2	471 8280-02	Valve	Soupape	1,2	FORWARD/BACKWARD TILTING
26	4	471 8690-32	Connection	Embrayage	1	FORWARD/BACKWARD TILTING
27	2	438 4899-01	Bracket	Pièce de retenue	3	FORWARD/BACKWARD TILTING
28	1	762 1152-10	Grommet	Oeillet	3	
29	RQ	471 9202-32	Solenoid valve	Électrovanne	1,2	50Hz
	RQ	471 9202-33	Solenoid valve	Électrovanne	1,2	60Hz
30	1	471 8275-50	Angle	Coude	3	
31	1	471 8275-01	Regulator	Régulateur	3	
32	1	471 8690-22	Angle connector	Raccord d'angle	1	
33	1	471 8690-31	Connection	Embrayage	1	
34	1	438 7300-11	Cables	Câble	3	
35	3	432 0114-01	Plate	Plaque	3	
36	9	471 8641-01	Plug	Fiche	3	
37	RQ	741 4102-20	Bushing	Douille	3	
38	RQ	740 4206-00	O-ring	Joint torique	3	
39	RQ	471 8690-71	Connection	Embrayage	3	
40	RQ	471 8626-03	Nipple	Raccord	3	
41	RQ	432 5140-01	Bracket	Support de montage	3	
42	1	438 7300-76	Cables	Câble	3	Tilting forward
	1	438 7300-77	Cables	Câble	3	Tilting forward/backward



101463

Issue	Month	Year
02	03	98

EX6100c						
Funnel						
Cône						
Item	Qua.	Art.No	Description	Description	Info	Notes
Article	Qua.	Réf. article			Info	Remarques
1	1	472 7278-02	Loading hopper	Dispositif	3	
2	2	471 8641-01	Plug	Fiche	3	
3	1	432 0091-01	Shaft	Arbre	3	
4	4	725 5453-01	Screw	Vis	3	MC6S 8X25
5	2	432 0095-01	Arm	Bras	3	
	2	432 0095-02	Arm	Bras	3	Silver
6	2	432 0078-01	Shaft	Arbre	3	
7	6	725 2455-51	Screw	Vis	3	M8X30
8	6	734 1164-01	Washer	Rondelle	3	8,4X17
9	1	432 0086-01	Catch	Dispositif blocage	3	
10	2	432 0079-01	Bearing housing	Logement de palier	3	
11	4	471 9228-98	Bearing	Coussinet	3	
12	1	432 0077-01	Handle	Poignée	3	
	1	432 0077-02	Handle	Poignée	3	Silver
13	1	432 0075-01	Cover	Couvercle	3	
	1	432 0075-02	Cover	Couvercle	3	Silver
14	4	471 8341-46	Screw	Vis	3	M6X16
15	2	432 0090-01	Washer	Rondelle	3	
16	4	732 2116-01	Locking nut	Contre-écrou	3	M6
17	1	432 0076-01	Mounting plate	Plaque de montage	3	
18	1	725 2463-51	Screw	Vis	3	M8X60
19	1	734 1164-01	Washer	Rondelle	3	8,4X17
20	1	732 2118-01	Locking nut	Contre-écrou	3	M8
21	2	432 0037-01	Guide	Guide	3	
22	1	432 0080-01	Catch	Dispositif blocage	3	
23	2	471 8341-44	Screw	Vis	3	MRT 6X12
24	1	471 7803-25	Pressure spring	Ressort de pression	3	
25	1	725 2378-51	Screw	Vis	3	M6X40
26	3	734 1153-01	Washer	Rondelle	3	BRB 6,4X12
27	1	731 2316-01	Nut	Écrou	3	M6
28	1	471 9654-03	Microswitch	Microrupteur	1,2	
	1	471 9625-03	Microswitch	Microrupteur	1,2	CLARUS CONTROL
29	1	432 0092-01	Stop	Butoir	3	
30	1	732 3116-14	Nut	Écrou	3	M6



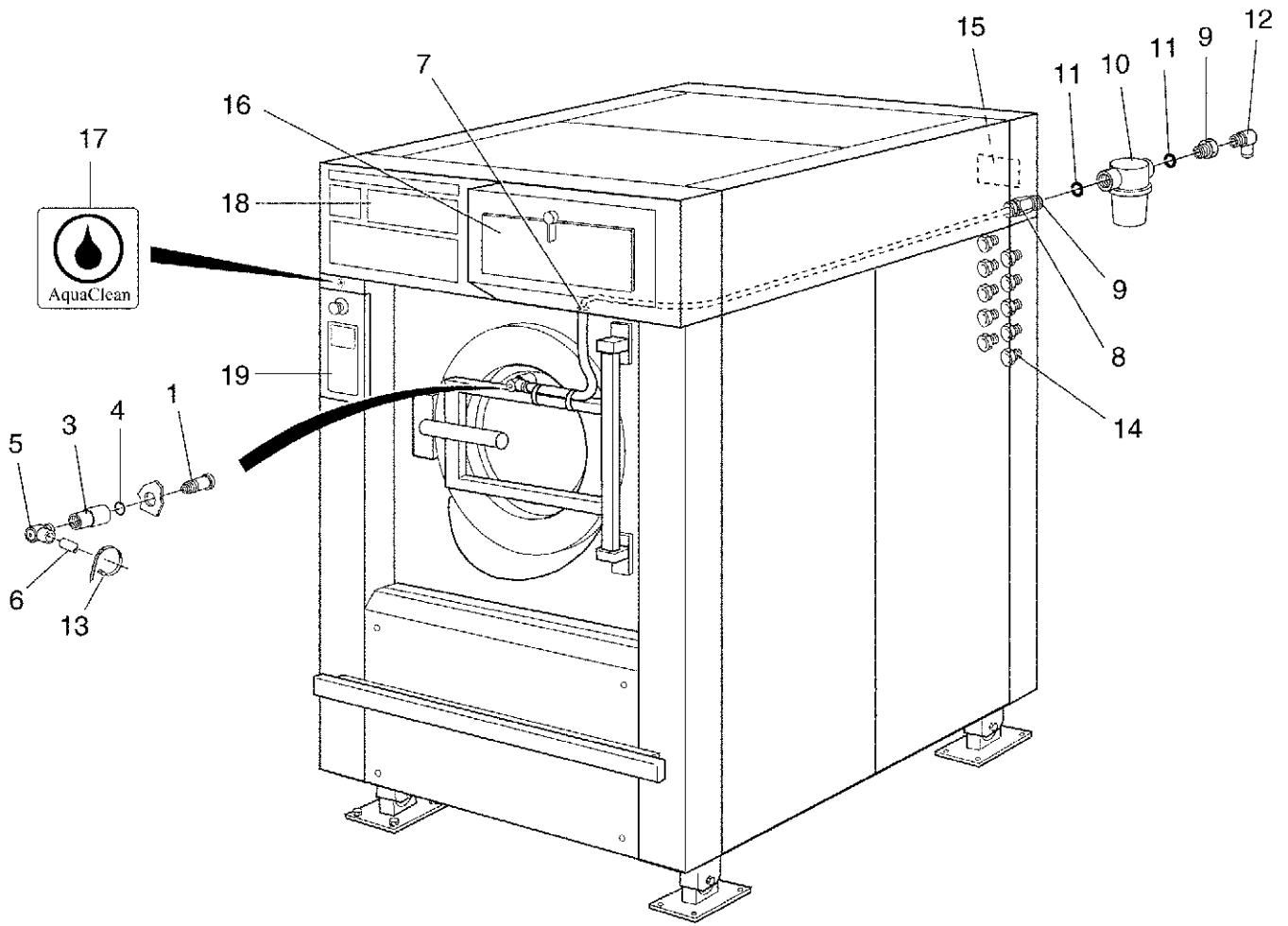
EX6100c

Insulation

Isolation

Illustration Issue Month Year
Schéma Issue Month Year
101621 2 10 2000

Item Article	Qua. Qua.	Art.No Réf. article	Description	Description	Info Info	Notes Remarques
1	3	471 7571-15	Shock absorber mat	Tapis amortisseur chocs	3	
2	2	471 7571-14	Shock absorber mat	Tapis amortisseur chocs	3	
3	1	471 7571-02	Shock absorber mat	Tapis amortisseur chocs	3	



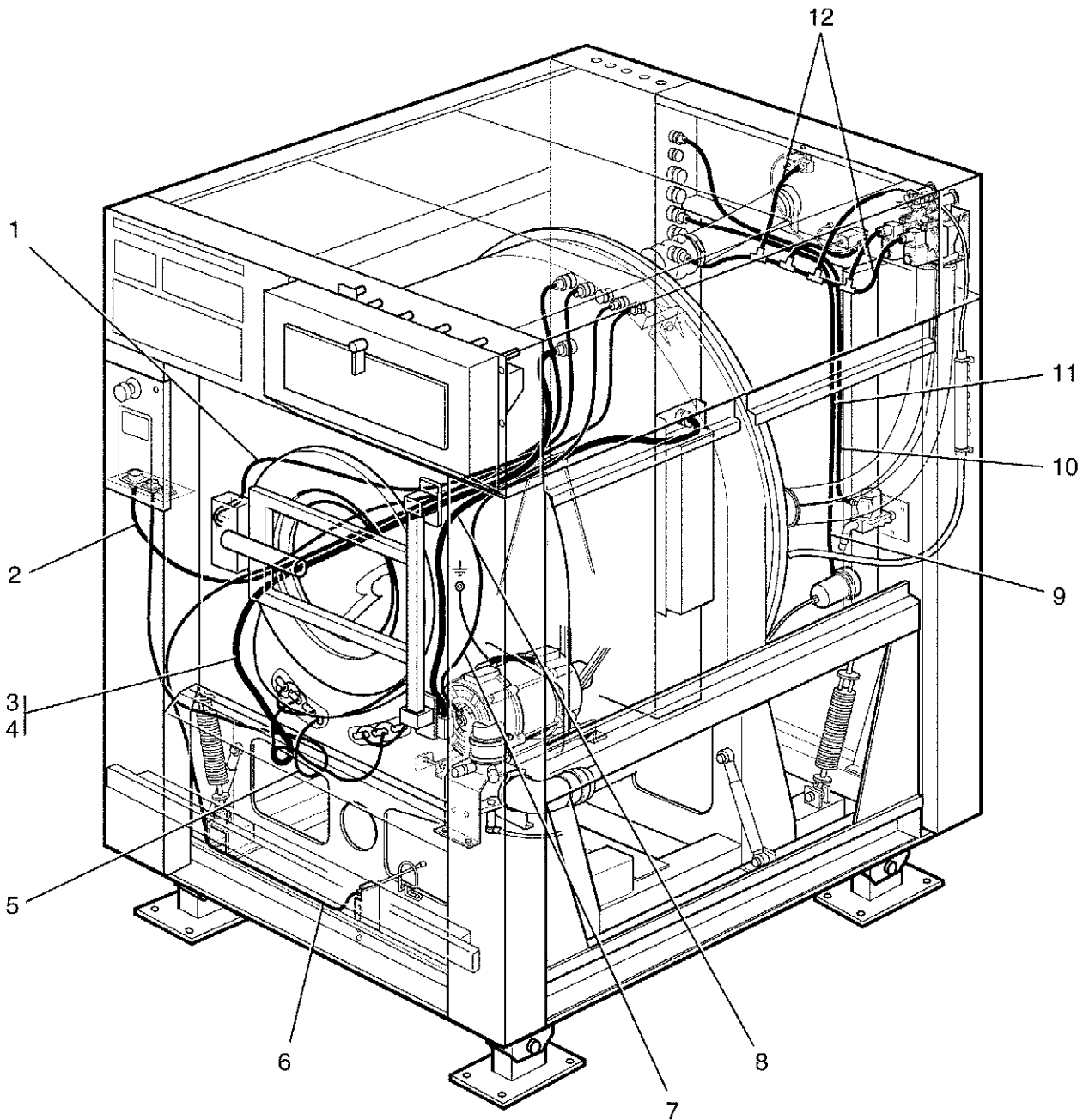
EX6100c

Spray components

Composants vaporisateur

Illustration Issue Month Year
Schéma Issue Month Year
101480 2 4 1998

Item Article	Qua. Qua.	Art.No Réf. article	Description	Description	Info Info	Notes Remarques
1	1	471 9883-02	Nozzle	Tuyère	1,2	
2						Not used
3	1	471 9884-01	Muff	Tubulure	3	
4	1	740 4209-00	O-ring	Joint torique	1	
5	1	471 8690-21	Angle connector	Raccord d'angle	3	
6	1	471 8143-01	Tube	Tube	1,2	L=3000
7	2	762 1116-10	Grommet	Oeillet	3	
8	1	471 8688-14	Nipple	Raccord	3	
9	2	471 8636-20	Nipple	Raccord	3	
10	1	438 4125-01	Filter	Filtre	1	
11	2	740 4811-03	O-ring	Joint torique	1	
12	1	471 8690-28	Angle connector	Raccord d'angle	3	
13	2	471 7873-01	Cable tie	Collier de serrage	3	
14	10	471 8682-06	Hose nipple	Mamelon de flexible	3	
15	1	471 4672-08	Sign	Signe	3	SPRAY CONNECTION
16	1	438 6610-47	Supply injector	Injecteur d'alimentation	3	50Hz Complete
	1	438 6610-48	Supply injector	Injecteur d'alimentation	3	60Hz Complete
17	1	471 4672-16	Sign	Signe	3	Aqua clean
18	1	471 7762-01	Sign	Signe	3	SWITCHES
19						See illustr. 101618



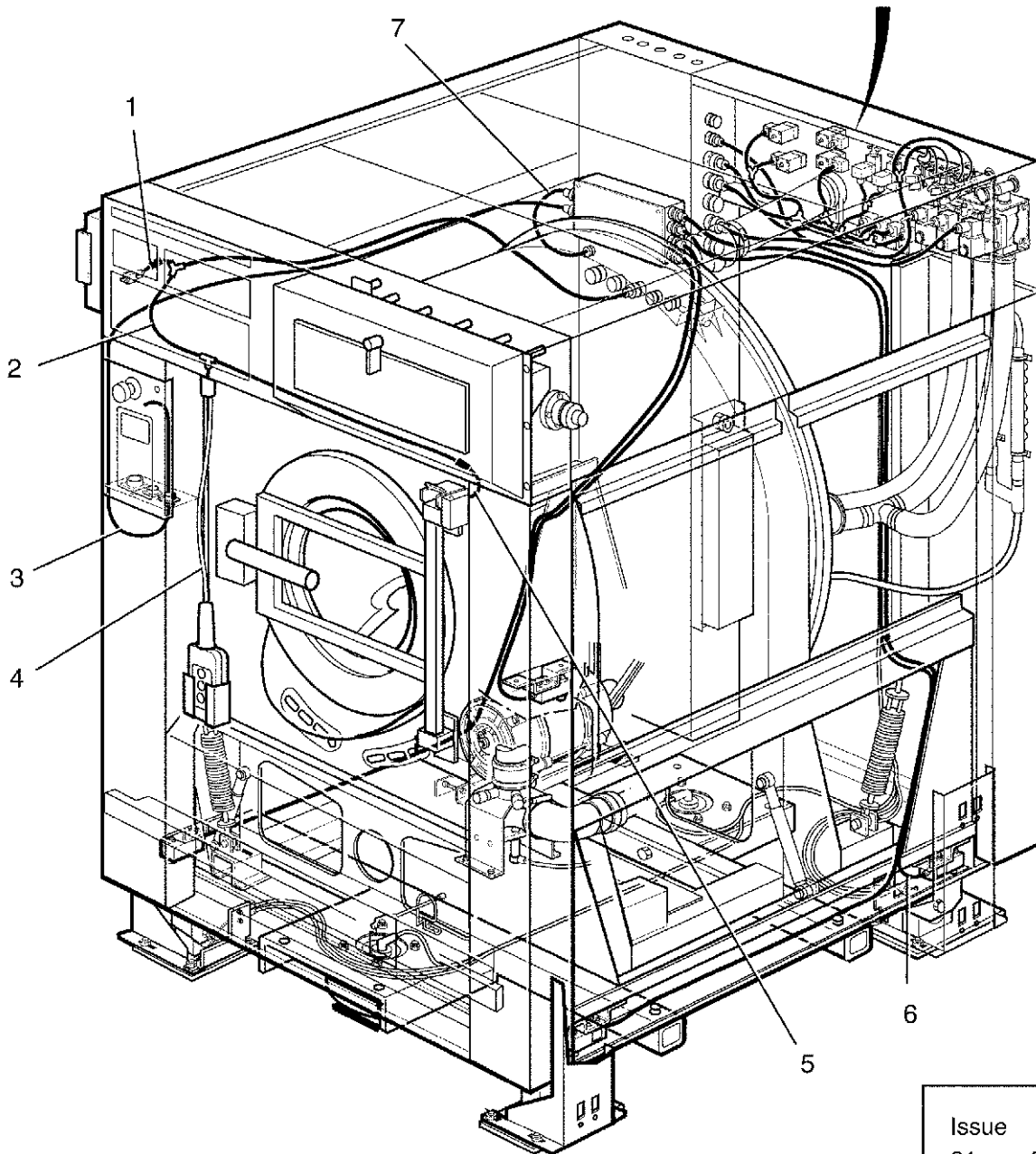
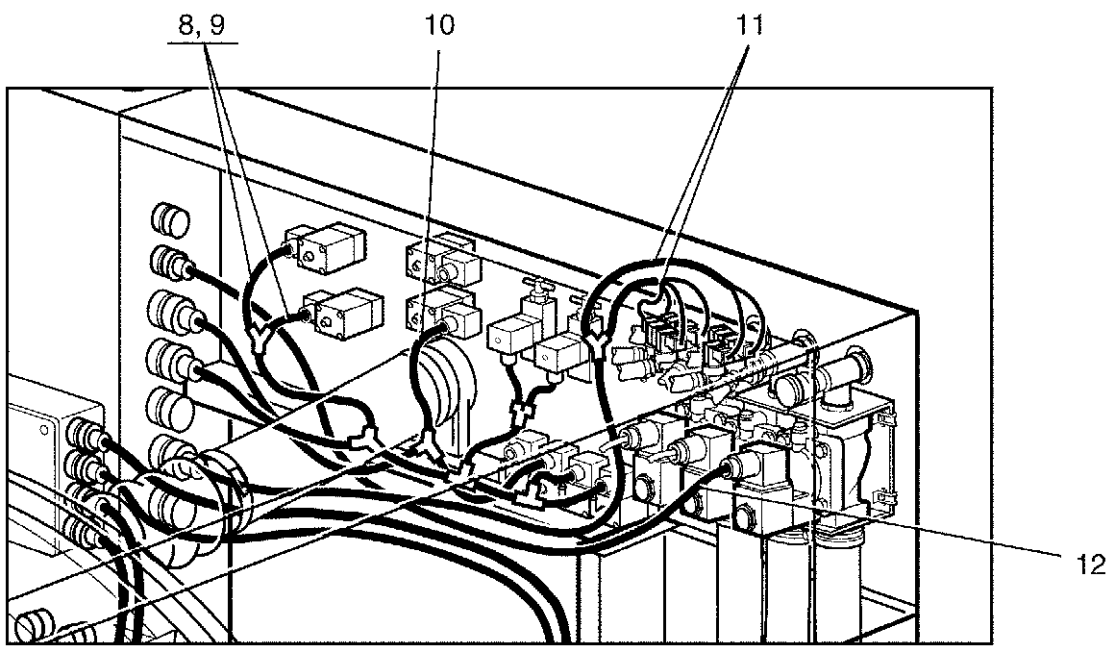
EX6100c

Cables

Câble

Illustration Issue Month Year
Schéma Issue Month Year
101683/1 1 3 1999

Item Article	Qua. Qua.	Art.No Réf. article	Description	Description	Info Info	Notes Remarques
1	1	438 7300-44	Cables	Câble	3	Door lock X101-X101.1
2	1	438 7300-41	Cable set	Jeu de câbles	3	X100-X200
3	1	438 7300-63	Cables	Câble	3	Heating 400V
4	1	438 7300-64	Cables	Câble	3	Heating 230V
5	1	438 7300-42	Cable set	Jeu de câbles	3	Sensor, temp. X201-R1
6	1	438 7300-85	Cables	Câble	3	Out of balance switch X104-S9
7	1	438 7300-72	Speed control	Contrôle vitesse	3	X103-B41
8	1	438 7300-27	Cables	Câble	3	Motor
9	1	438 7300-69	Cables	Câble	3	Oil pump X107.1-E20
10	1	438 7300-71	Cable set	Jeu de câbles	3	Steam X111-Y51
11	1	438 7300-73	Cables	Câble	3	Sensor, oil lubrication X107-X107.1
12	1	438 7300-70	Cables	Câble	3	Inlet valves-Drain valve X105



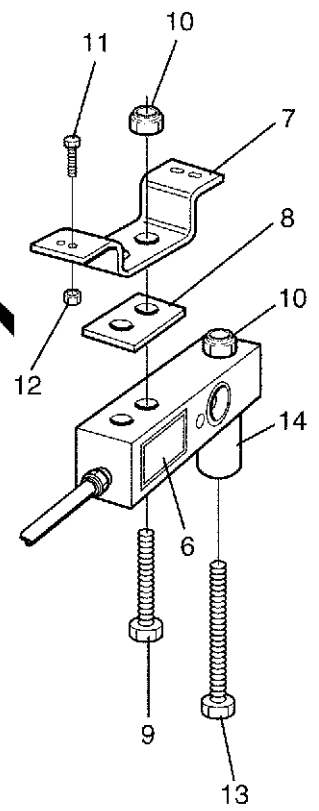
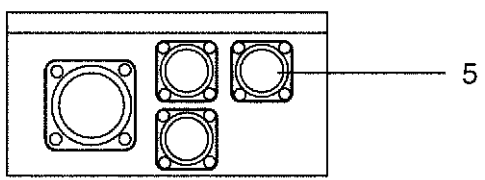
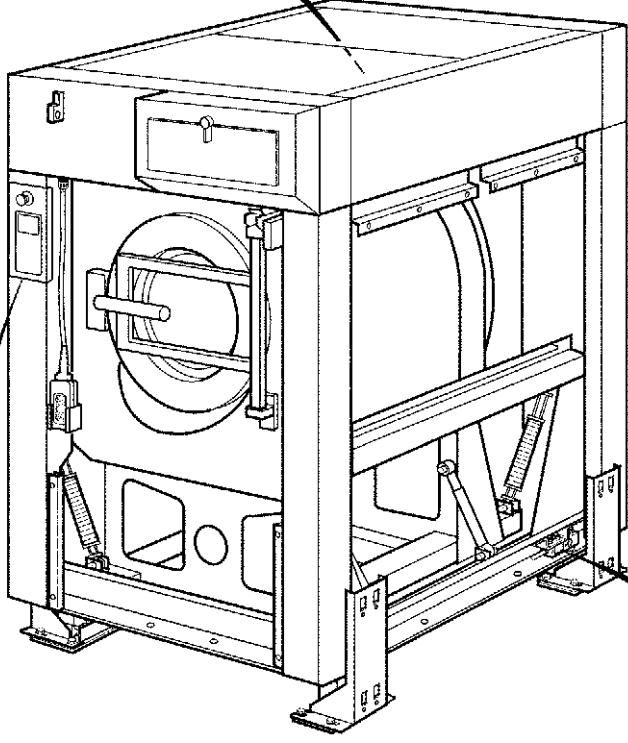
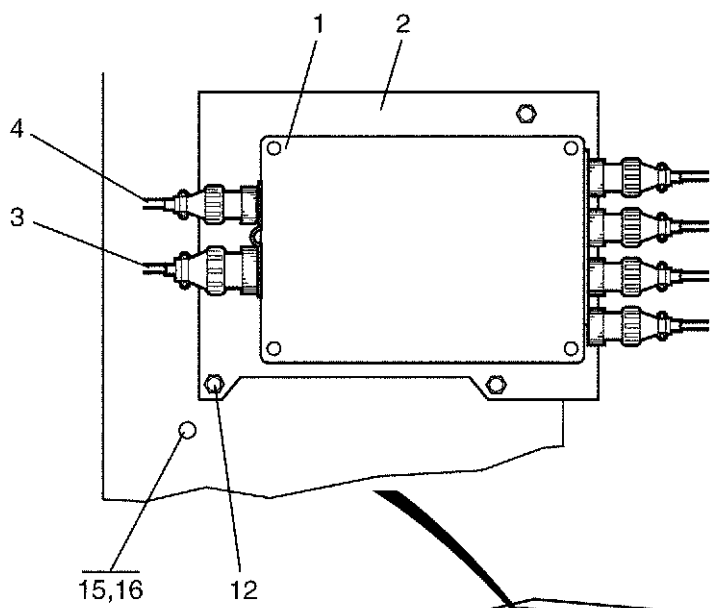
EX6100c

Kablage Option

Kablage Option

Illustration Issue Month Year
Schéma Issue Month Year
101684/1 1 3 1999

Item Article	Qua. Qua.	Art.No Réf. article	Description	Description	Info Info	Notes Remarques
1	1	438 7300-49	Cables	Câble	3	Sensor, Hopper X102.3-S29
2	1	438 7300-47	Cables	Câble	3	X102-X102.1, X102.2, X102.3
3	1	471 8822-22	Cable	Câble	3	Signal X202-X401
4	1	471 8796-01	Control for tilting	Bouton-poussoir	3	3-button
5	1	438 7300-48	Cable set	Jeu de câbles	3	Sensor, dor lock incl. microswitch X102.2-S28A, S28B
6	1	471 8822-11	Load cell	Load cell	1,2	With cabling
7	1	471 8822-21	Cable	Câble	3	Voltage
8	1	438 7300-76	Cables	Câble	3	Tilting forward X108
9	1	438 7300-77	Cables	Câble	3	Tilting forward/backward X108
10	1	438 7300-74	Cables	Câble	3	Water reuse X109
11	1	438 7300-75	Cables	Câble	3	Soap box X106
12	1	438 7300-78	Cables	Câble	3	Cold hard water X110



Issue	Month	Year
05	08	99

EX6100c

Weighing device

Unité de balance

Illustration Issue Month Year
Schéma Issue Month Year
101665/1 3 3 2004

Item Article	Qua. Qua.	Art.No Réf. article	Description	Description	Info Info	Notes Remarques
1	1	471 8822-01	Weighing device	Unité de balance	1	RS 232 interface
	1	471 8822-05	Weighing device	Unité de balance	1	4-20mA interface
2	1	432 0468-01	Mounting plate	Plaque de montage	3	
3	1	471 8822-22	Cable	Câble	1	Signal
4	1	471 8822-21	Cable	Câble	1	Voltage
5	1	438 7300-83	Cable	Câble	1	
* 6	4	471 8822-11	Load cell	Load cell	1	With cablage
* 6	4	471 8822-12	Load cell	Load cell	1	With cablage
7	4	432 0459-01	Bracket	Support de montage	3	
8	4	432 0469-01	Spacer washer	Rondelle écartement	3	
9	8	725 2544-51	Screw	Vis	3	M12X60
10	12	732 2122-01	Locking nut	Contre-écrou	3	M12
11	12	725 2453-51	Screw	Vis	3	M8X25
12	15	732 2118-01	Locking nut	Contre-écrou	3	M8
13	4	725 2548-71	Screw	Vis	3	12x80
14	4	432 0470-01	Spacer	Entretoise	3	
15	1	471 8780-01	Screw fitting	Vis de raccord	3	15,2
16	1	471 8780-31	Nut	Écrou	3	15

Numerical index/Numerical index

Art.No/Réf. article	Page/Page	Art.No/Réf. article	Page/Page	Art.No/Réf. article	Page/Page	Art.No/Réf. article	Page/Page
432 0005-01	9	432 0131-03	17	432 0800-19	21	438 4995-01	13
432 0008-01	9	432 0132-01	7	432 0800-20	21	438 4998-02	11
432 0010-01	9	432 0133-01	7	432 0800-21	21	438 4999-01	13
432 0015-01	29	432 0134-01	7	432 0800-22	21	438 6610-47	63
432 0016-01	29	432 0135-01	7	432 0800-23	21	438 6610-48	63
432 0017-01	9	432 0135-02	7	432 0800-24	21	438 7300-11	57
432 0019-01	9	432 0135-03	7	432 0800-25	21	438 7300-19	31
432 0021-01	9	432 0137-01	17	432 0800-26	21	438 7300-27	65
432 0022-01	29	432 0138-01	17	432 0800-27	21	438 7300-40	21
432 0023-01	9	432 0139-01	17	432 0800-28	21	438 7300-41	65
432 0028-01	25	432 0140-01	7	432 0800-29	21	438 7300-42	65
432 0029-01	25	432 0140-02	7	432 0800-30	21	438 7300-43	27
432 0030-01	11	432 0142-01	17	432 5140-01	57	438 7300-44	65
432 0031-01	11	432 0143-01	21	438 0127-01	49	438 7300-47	67
432 0032-01	35	432 0146-01	21	438 0145-14	49	438 7300-48	67
432 0032-01	37	432 0149-01	21	438 0268-01	15	438 7300-49	67
432 0034-01	25	432 0150-01	21	438 0299-01	17	438 7300-63	65
432 0034-02	25	432 0151-01	25	438 0363-01	13	438 7300-64	65
432 0035-01	43	432 0152-01	25	438 4125-01	63	438 7300-69	65
432 0035-01	51	432 0153-01	25	438 4381-01	31	438 7300-70	65
432 0037-01	59	432 0155-01	7	438 4511-01	11	438 7300-71	65
432 0039-02	7	432 0155-02	7	438 4541-01	41	438 7300-72	65
432 0039-02	37	432 0158-01	27	438 4542-01	13	438 7300-73	65
432 0039-03	7	432 0159-01	27	438 4832-01	25	438 7300-74	67
432 0043-01	35	432 0161-01	27	438 4899-01	57	438 7300-75	67
432 0046-01	37	432 0164-01	27	438 4904-01	7	438 7300-76	57
432 0047-01	37	432 0167-01	27	438 4912-01	7	438 7300-76	67
432 0052-01	43	432 0168-01	25	438 4912-02	7	438 7300-77	57
432 0052-01	47	432 0169-01	25	438 4921-01	39	438 7300-77	67
432 0052-10	45	432 0170-01	27	438 4924-01	39	438 7300-78	67
432 0052-10	47	432 0171-01	25	438 4925-01	35	438 7300-83	69
432 0052-11	45	432 0172-01	25	438 4925-01	37	438 7300-85	65
432 0054-01	53	432 0173-01	21	438 4929-01	7	438 7300-86	15
432 0054-02	53	432 0175-01	19	438 4929-02	7	438 7950-01	19
432 0058-01	49	432 0178-01	57	438 4929-03	7	438 7950-02	19
432 0060-01	57	432 0442-02	7	438 4930-01	7	438 8102-02	35
432 0061-01	57	432 0443-01	7	438 4930-02	7	438 8102-02	37
432 0062-01	57	432 0456-01	31	438 4930-03	7	438 8102-04	57
432 0063-01	57	432 0457-01	31	438 4930-04	7	438 8152-01	19
432 0064-01	55	432 0459-01	69	438 4930-05	7	438 8152-01	21
432 0067-01	39	432 0464-01	41	438 4931-01	7	438 8152-02	19
432 0074-01	51	432 0465-03	41	438 4931-02	7	438 8152-03	19
432 0075-01	59	432 0468-01	69	438 4931-03	7	438 8152-03	21
432 0075-02	59	432 0469-01	69	438 4942-01	7	438 9550-01	17
432 0076-01	59	432 0470-01	69	438 4942-02	7	438 9550-04	17
432 0077-01	59	432 0473-01	41	438 4951-01	39	438 9555-01	17
432 0077-02	59	432 0476-01	53	438 4961-01	39	438 9637-32	17
432 0078-01	59	432 0477-01	53	438 4964-01	7	438 9637-33	17
432 0079-01	59	432 0800-01	21	438 4964-02	7	471 2032-39	43
432 0080-01	59	432 0800-02	21	438 4964-03	7	471 2075-79	11
432 0081-01	11	432 0800-03	21	438 4965-01	11	471 2095-32	35
432 0083-01	11	432 0800-04	21	438 4965-02	11	471 2264-03	17
432 0085-01	29	432 0800-05	21	438 4967-10	43	471 2265-69	17
432 0086-01	59	432 0800-06	21	438 4967-10	45	471 2401-52	35
432 0090-01	59	432 0800-07	21	438 4969-01	13	471 2416-83	37
432 0091-01	59	432 0800-08	21	438 4970-01	11	471 2417-19	13
432 0092-01	59	432 0800-09	21	438 4971-01	13	471 2418-14	25
432 0095-01	59	432 0800-10	21	438 4972-01	35	471 2436-02	51
432 0095-02	59	432 0800-11	21	438 4972-01	37	471 2440-39	51
432 0102-01	9	432 0800-12	21	438 4973-01	35	471 2440-40	17
432 0113-01	25	432 0800-13	21	438 4975-01	13	471 2449-94	51
432 0113-02	25	432 0800-14	21	438 4977-02	11	471 2449-95	17
432 0114-01	57	432 0800-15	21	438 4979-01	9	471 2456-71	35
432 0118-01	7	432 0800-16	21	438 4980-01	9	471 2460-99	51
432 0118-02	7	432 0800-17	21	438 4982-01	39	471 2461-04	51
432 0131-02	17	432 0800-18	21	438 4994-01	11	471 2461-25	25

Numerical index/Numerical index

Art.No/Réf. article	Page/Page	Art.No/Réf. article	Page/Page	Art.No/Réf. article	Page/Page	Art.No/Réf. article	Page/Page
471 2461-27	25	471 8164-01	53	471 8613-04	37	471 8822-21	69
471 2461-40	25	471 8164-01	55	471 8613-05	35	471 8822-22	67
471 2841-01	55	471 8174-01	53	471 8614-04	55	471 8822-22	69
471 2903-01	35	471 8192-01	11	471 8626-03	37	471 8859-01	17
471 4005-62	57	471 8196-01	57	471 8626-03	57	471 8859-07	17
471 4009-60	11	471 8210-31	43	471 8628-21	51	471 8862-01	57
471 4074-01	17	471 8210-31	45	471 8628-21	55	471 8984-01	29
471 4207-01	57	471 8210-32	43	471 8636-20	63	471 8985-01	13
471 4210-01	53	471 8210-32	45	471 8641-01	57	471 8993-01	21
471 4494-01	11	471 8229-01	35	471 8641-01	59	471 8995-01	17
471 4672-08	63	471 8229-01	37	471 8651-50	43	471 8995-02	17
471 4672-16	63	471 8229-01	57	471 8651-50	51	471 8995-03	17
471 5109-25	13	471 8229-02	35	471 8665-04	55	471 8997-02	23
471 5511-01	25	471 8229-02	37	471 8673-01	45	471 9037-73	39
471 5516-03	25	471 8229-02	57	471 8673-01	47	471 9074-04	9
471 5523-00	25	471 8232-14	41	471 8682-04	51	471 9202-32	35
471 5525-01	25	471 8234-52	43	471 8682-06	63	471 9202-32	37
471 5564-00	7	471 8234-95	43	471 8688-13	13	471 9202-32	57
471 5631-00	25	471 8236-52	49	471 8688-14	63	471 9202-33	35
471 7476-01	27	471 8238-01	55	471 8690-04	55	471 9202-33	37
471 7477-01	27	471 8240-57	49	471 8690-21	63	471 9202-33	57
471 7571-02	61	471 8252-05	9	471 8690-22	35	471 9204-93	7
471 7571-14	61	471 8271-02	57	471 8690-22	37	471 9209-24	25
471 7571-15	61	471 8275-01	57	471 8690-22	57	471 9219-38	41
471 7701-65	13	471 8275-50	57	471 8690-28	63	471 9228-97	25
471 7762-01	63	471 8276-02	13	471 8690-31	57	471 9228-98	25
471 7803-19	25	471 8276-12	13	471 8690-32	35	471 9228-98	59
471 7803-25	59	471 8279-04	41	471 8690-32	57	471 9529-10	17
471 7816-06	33	471 8279-09	41	471 8690-51	57	471 9550-21	17
471 7830-01	17	471 8280-02	57	471 8690-71	35	471 9550-22	17
471 7837-01	21	471 8281-01	39	471 8690-71	37	471 9560-01	13
471 7837-30	21	471 8307-00	33	471 8690-71	57	471 9578-50	29
471 7837-40	21	471 8320-01	53	471 8690-72	13	471 9608-00	31
471 7837-50	21	471 8320-08	11	471 8690-81	35	471 9625-02	25
471 7837-60	21	471 8341-07	25	471 8690-91	35	471 9625-03	27
471 7855-02	35	471 8341-07	27	471 8692-01	13	471 9625-03	59
471 7855-02	37	471 8341-13	21	471 8750-11	17	471 9628-22	23
471 7858-04	55	471 8341-13	25	471 8756-51	17	471 9628-32	23
471 7858-05	43	471 8341-17	25	471 8762-04	17	471 9628-33	23
471 7858-05	51	471 8341-22	25	471 8778-11	17	471 9628-90	23
471 7867-01	35	471 8341-24	27	471 8778-13	17	471 9649-01	15
471 7873-01	63	471 8341-44	59	471 8780-01	69	471 9649-02	15
471 7876-01	27	471 8341-46	59	471 8780-05	15	471 9649-02*	19
471 7911-01	15	471 8344-24	27	471 8780-31	31	471 9654-03	59
471 7912-01	15	471 8344-28	25	471 8780-31	69	471 9678-01	17
471 7958-01	17	471 8344-28	31	471 8781-01	15	471 9678-04	17
471 7976-01	27	471 8344-28	53	471 8781-01	17	471 9678-33	17
471 8117-10	43	471 8344-33	11	471 8781-02	15	471 9678-61	17
471 8117-11	55	471 8345-23	27	471 8781-02	17	471 9678-62	17
471 8118-01	21	471 8348-17	53	471 8781-03	15	471 9678-93	17
471 8118-06	35	471 8362-01	21	471 8781-03	17	471 9678-95	17
471 8118-09	35	471 8362-10	21	471 8781-04	17	471 9767-90	17
471 8126-07	45	471 8362-20	21	471 8781-11	15	471 9767-91	17
471 8126-23	41	471 8362-30	21	471 8781-11	17	471 9768-02	17
471 8128-55	35	471 8362-40	21	471 8782-03	17	471 9769-01	29
471 8128-55	37	471 8362-50	21	471 8792-01	17	471 9769-02	29
471 8128-56	35	471 8362-60	21	471 8793-01	21	471 9811-30	11
471 8140-10	55	471 8409-05	11	471 8796-01	57	471 9811-31	11
471 8140-11	55	471 8409-05	41	471 8796-01	67	471 9811-32	11
471 8140-12	55	471 8454-01	21	471 8797-01	17	471 9811-33	11
471 8140-13	55	471 8502-14	27	471 8822-01	69	471 9811-34	11
471 8143-01	63	471 8576-00	33	471 8822-05	69	471 9883-02	63
471 8159-06	55	471 8577-02	25	471 8822-11	67	471 9884-01	63
471 8164-00	17	471 8577-02	53	471 8822-11*	69	472 5784-01	23
471 8164-00	21	471 8610-02	37	471 8822-12*	69	472 6024-00	35
471 8164-00	35	471 8613-03	35	471 8822-21	67	472 6025-00	35

Numerical index/Numerical index

Art.No/Réf. article	Page/Page	Art.No/Réf. article	Page/Page	Art.No/Réf. article	Page/Page	Art.No/Réf. article	Page/Page
472 6028-01	53	731 2314-01	53	740 4206-00	57		
472 6029-01	53	731 2316-01	25	740 4209-00	13		
472 6208-00	25	731 2316-01	59	740 4209-00	63		
472 6211-00	25	731 2318-01	27	740 4811-03	63		
472 6212-03	11	731 2318-01	33	741 4102-20	57		
472 6231-00	33	731 2322-01	33	741 5115-24	41		
472 6232-00	33	732 2110-01	25	741 5115-24	43		
472 6233-00	33	732 2110-01	27	741 5115-24	45		
472 6234-01	33	732 2112-42	53	744 3117-06	43		
472 6256-00	33	732 2114-92	31	744 3117-06	45		
472 6345-01	55	732 2116-01	31	762 1116-10	63		
472 6346-01	53	732 2116-01	39	762 1152-10	57		
472 6363-05	53	732 2116-01	59	877 5211-08	43		
472 6365-03	43	732 2118-01	39	877 5211-08	49		
472 6365-03	45	732 2118-01	59	877 5361-02	13		
472 6374-01	53	732 2118-01	69				
472 6375-02	45	732 2120-01	9				
472 6382-01	29	732 2120-01	11				
472 6396-01	53	732 2120-01	25				
472 6397-02	53	732 2122-01	13				
472 6818-03	57	732 2122-01	33				
472 7206-01	35	732 2122-01	69				
472 7256-03	53	732 3116-14	25				
472 7260-02	53	732 3116-14	59				
472 7261-01	47	734 1124-01	25				
472 7264-01	17	734 1124-01	27				
472 7278-02	59	734 1136-01	25				
472 7286-01	57	734 1146-09	27				
472 9087-01	37	734 1153-01	59				
472 9209-01	57	734 1153-09	25				
472 9214-02	57	734 1153-09	53				
472 9361-01	25	734 1164-01	59				
472 9373-01	25	734 1164-09	11				
472 9375-01	25	734 1173-01	9				
472 9388-04	57	734 1173-01	11				
472 9904-64*	19	734 1173-01	41				
472 9913-22	11	734 1178-01	13				
720 1307-06	53	734 1178-01	33				
725 2327-42	53	734 1178-09	53				
725 2327-51	25	735 3166-00	13				
725 2366-61	39	735 3177-10	13				
725 2370-61	31	735 5852-00	53				
725 2378-51	59	735 9628-00	13				
725 2451-42	11	736 2119-11	55				
725 2451-51	7	736 2816-51	39				
725 2453-51	69	736 2816-51	43				
725 2455-51	59	736 2816-51	49				
725 2459-51	13	736 2816-51	51				
725 2461-51	27	736 2816-51	55				
725 2463-51	59	736 2825-51	37				
725 2493-51	9	736 2825-51	43				
725 2501-51	9	736 2825-51	49				
725 2501-81	11	736 2825-51	51				
725 2509-51	41	736 2831-51	43				
725 2518-51	11	736 2831-51	45				
725 2536-42	25	736 2831-51	47				
725 2544-51	33	736 2840-51	35				
725 2544-51	69	736 2840-51	49				
725 2544-71	13	736 2846-51	35				
725 2548-71	69	736 2849-51	37				
725 2558-51	13	736 2855-51	35				
725 2624-51	13	736 2855-51	37				
725 5340-01	53	736 2865-51	39				
725 5453-01	59	738 6117-13	25				
728 8362-11	25	740 4206-00	35				
728 8445-01	25	740 4206-00	37				

WASCOMAT

461 Doughty Blvd., Inwood, L.I., N.Y. 11096-0338

Telephone: 516-371-4400

Parts and Service FAX: 516-371-4029

Sales and Administration FAX: 516-371-4204