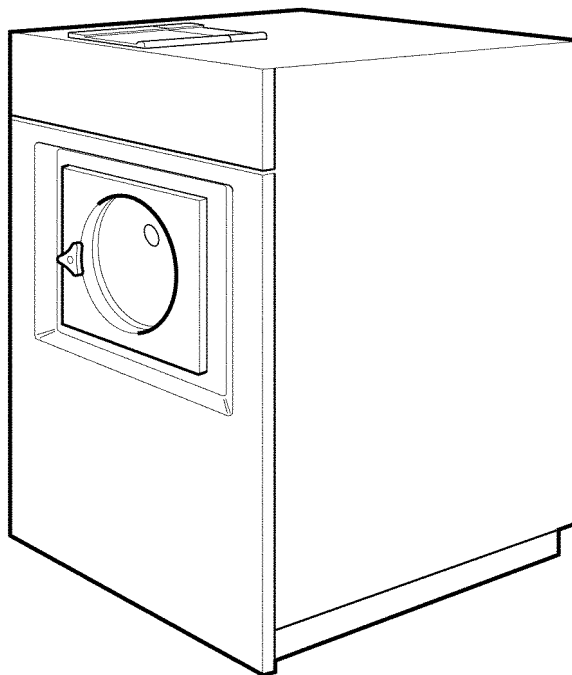


WASCOMAT

Spare Parts Catalogue
Catalogue de pièces de rechange



W185, SE185, FL185

List of issues

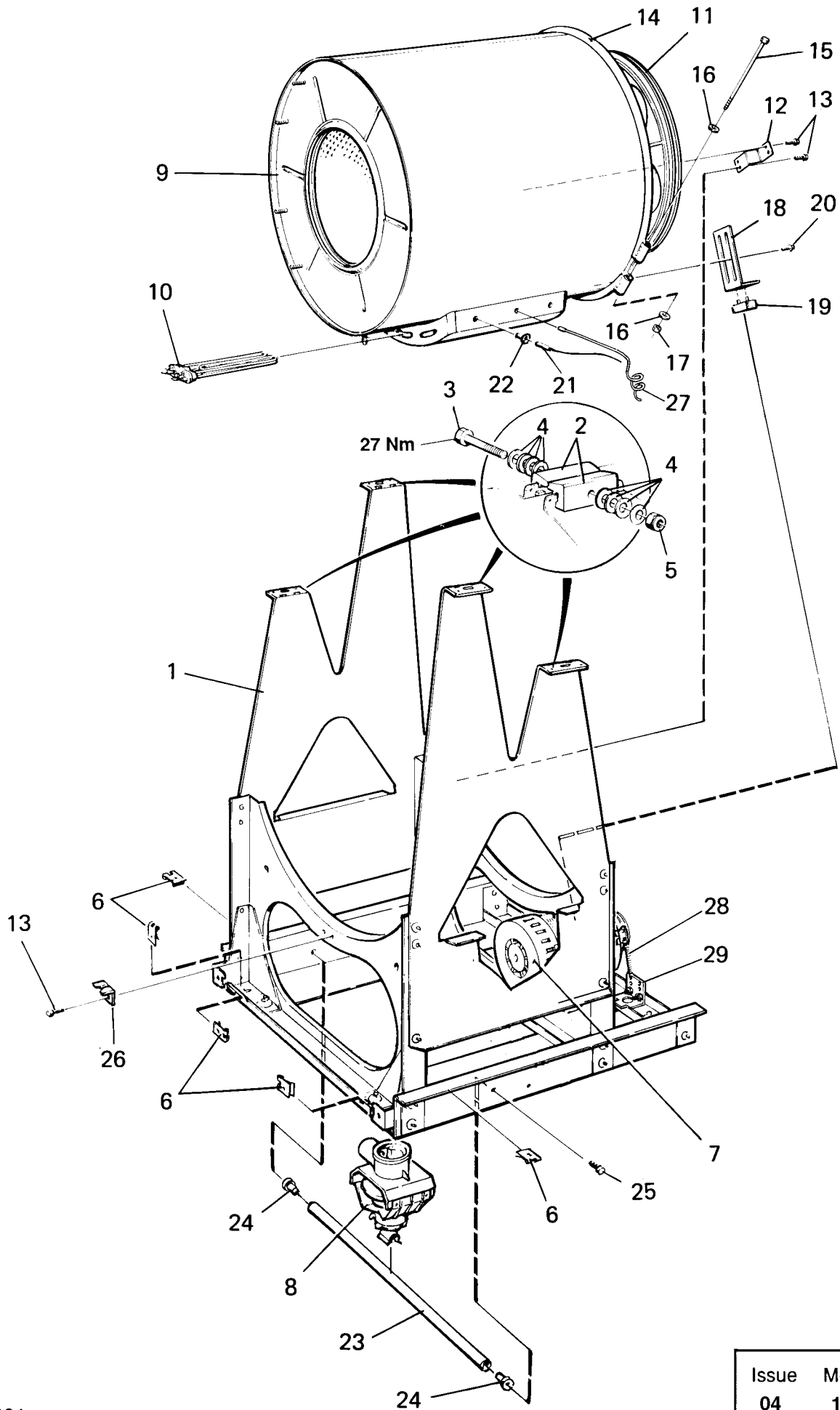
Group
Groupe
US24

W185,W185 EMERALD,W185 HI-TEK,SE185,FL185,FL185 HI-TEK

| Illustration | Page | Table of contents |
|--------------|------|--|
| 100568 | 87 | Inlet valve 1/2", 3/4", 1", 1 1/4", 2" |
| 100582 | 89 | Motor |
| 100696 | 41 | Control panel |
| 100697 | 39 | Control panel |
| 100698 | 47 | Control panel |
| 100771 | 81 | Drain valve |
| 100797 | 85 | Inlet valve 3/4", 3-way |
| 100799 | 83 | Inlet valve 3/4", 1-way |
| 100826 | 91 | Memory cartridge complete |
| 100848 | 35 | Control panel |
| 100949 | 21 | Electric components |
| 100950 | 13 | Back plate with inner drum, bearings, pulley |
| 100951 | 51 | Water alternatives P03 |
| 100980 | 43 | Control panel |
| 100981 | 45 | Control panel |
| 100991 | 7 | Base and outer drum |
| 100992 | 9 | Panels and top panel |
| 100993 | 11 | Door and door lock |
| 100994 | 15 | Motor and motor suspension |
| 100995 | 17 | Drain valve and hoses |
| 100996 | 19 | Steam injector |
| 100997 | 25 | Electric components |
| 100999 | 61 | Water connections |
| 101000 | 59 | Water connections |
| 101137 | 73 | Cables |
| 101138 | 75 | Cables |
| 101139 | 77 | Cables |
| 101144 | 69 | Cables P02,22 |
| 101146 | 31 | Cables P03 |
| 101149 | 79 | Cables |
| 101188 | 53 | Water connections |
| 101189 | 63 | Water connections |
| 101191 | 67 | Water connections |
| 101192 | 37 | Control panel |
| 101336 | 29 | Electric components |
| 101367 | 93 | Detergent container |
| 101409 | 33 | Cables P03 |
| 101412 | 57 | Water connection liquid detergent |
| 101413 | 55 | Water connection, detergent container |
| 101416 | 49 | Type plates and panel plates |
| 101664 | 71 | Cables for single system |

W185,W185 EMERALD,W185 HI-TEK,SE185,FL185,FL185 HI-TEK

| Table of contents | Table des matières | Page/Page |
|--|---|-----------|
| Base and outer drum | Base et tambour externe | 7 |
| Panels and top panel | Panneaux et couvercle | 9 |
| Door and door lock | Plaque et serrure de porte | 11 |
| Back plate with inner drum, bearings, pulley | Pignon arrière avec tambour intérieur | 13 |
| Motor and motor suspension | Purgeur et flexible | 15 |
| Drain valve and hoses | Soupape d'échappement et flexible | 17 |
| Steam injector | Injecteur de vapeur | 19 |
| Electric components | Composants électriques | 21 |
| Electric components | Composants électriques | 25 |
| Electric components | Composants électriques | 29 |
| Cables P03 | Câblage P03 | 31 |
| Cables P03 | Câblage P03 | 33 |
| Control panel | Pignon arrière avec tambour intérieur | 35 |
| Control panel | Pignon arrière avec tambour intérieur | 37 |
| Control panel | Pignon arrière avec tambour intérieur | 39 |
| Control panel | Pignon arrière avec tambour intérieur | 41 |
| Control panel | Pignon arrière avec tambour intérieur | 43 |
| Control panel | Pignon arrière avec tambour intérieur | 45 |
| Control panel | Pignon arrière avec tambour intérieur | 47 |
| Type plates and panel plates | Plaquettes de type et de pupitre | 49 |
| Water alternatives P03 | Option eau froide P03 | 51 |
| Water connections | Raccords d'eau | 53 |
| Water connection, detergent container | Raccord eau compartiment à savon | 55 |
| Water connection liquid detergent | Raccord eau produit de lavage liquide | 57 |
| Water connections | Raccords d'eau | 59 |
| Water connections | Raccords d'eau | 61 |
| Water connections | Raccords d'eau | 63 |
| Water connections | Raccords d'eau | 67 |
| Cables P02,22 | Câble P02,22 | 69 |
| Cables for single system | Cables for single system | 71 |
| Cables | Câble | 73 |
| Cables | Câble | 75 |
| Cables | Câble | 77 |
| Cables | Câble | 79 |
| Drain valve | Purgeur | 81 |
| Inlet valve 3/4", 1-way | Soupape de admission 3/4", 1 voie | 83 |
| Inlet valve 3/4", 3-way | Soupape de admission 3/4", 3 voies | 85 |
| Inlet valve 1/2", 3/4", 1", 1 1/4", 2" | Soupape de admission 1/2", 3/4", 1", 1 1/4", 2" | 87 |
| Motor | Moteur | 89 |
| Memory cartridge complete | Cassette de mémoire complet | 91 |
| Detergent container | Compartiment à savon | 93 |



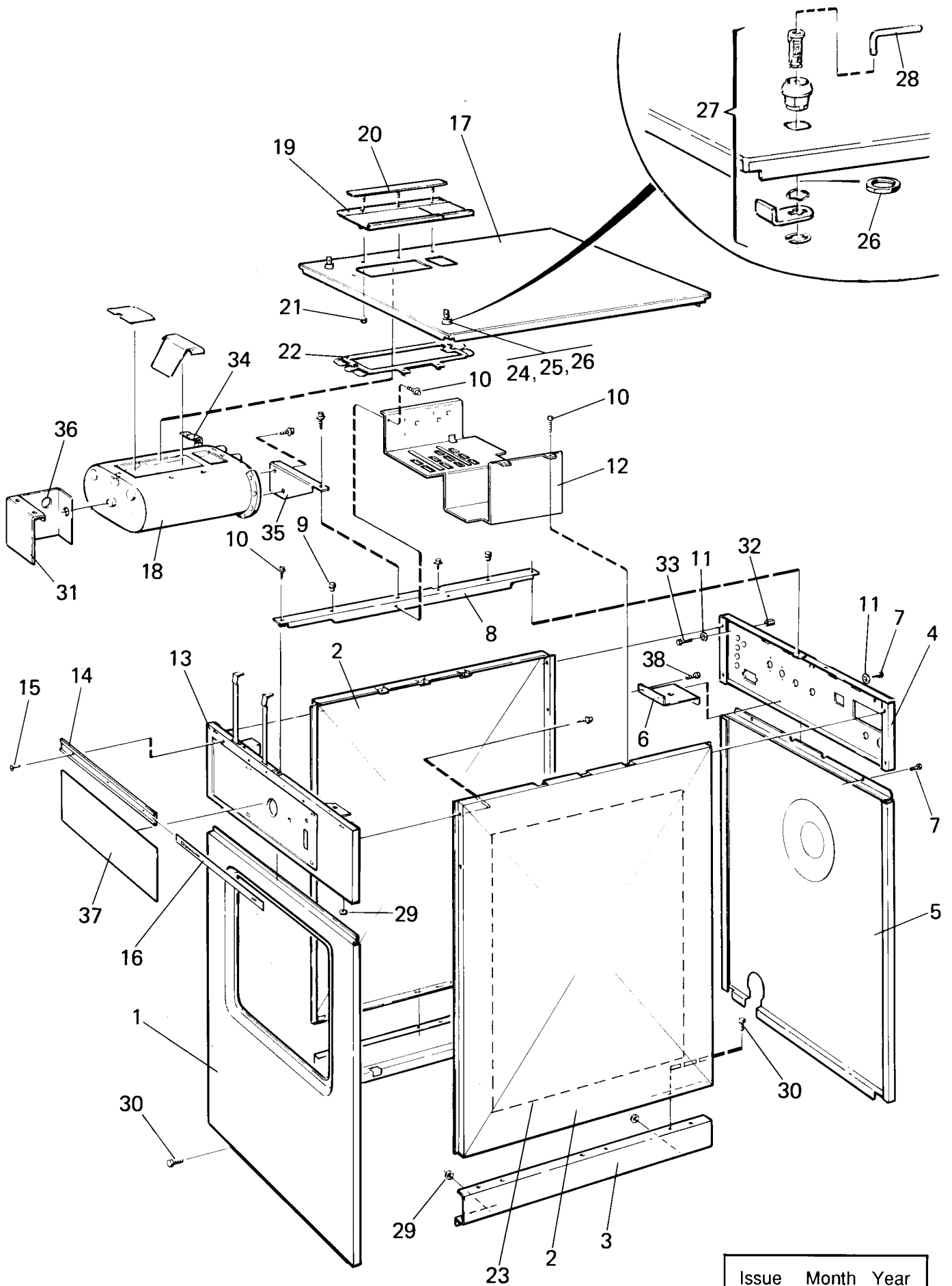
W185,W185 EMERALD,W185 HI-TEK,SE185,FL185,FL185 HI-TEK

Base and outer drum

Base et tambour externe

Illustration Issue Month Year
Schéma Issue Month Year
100991/1 12 11 2000

| Item Article | Quantity Quantité | Art.No Réf. article | Description | Description | Info Info | Notes Remarques |
|-----------------|----------------------|------------------------|-------------------------------------|----------------------|--------------|------------------------|
| | | | W185,W185 EMERALD,W185 HI-TEK,SE185 | | | |
| | | | FL185,FL185 HI-TEK | | | |
| 1 | 1 | 438 0322-01 | Frame | Base | 3 | 5 |
| 2 | 4 | 438 0027-01 | Tensioner | Crochet | 3 | |
| 3 | 2 | 725 2465-71 | Screw | Vis | 3 | M8X70 |
| 4 | 8 | 471 7807-02 | Tension plate | Tôle de serrage | 3 | 18x8,4x2 |
| 5 | 2 | 732 2118-01 | Locking nut | Contre-écrou | 3 | M8 |
| 6 | 8 | 471 7864-01 | Clip | Colliers de serrage | 3 | M6 |
| 7 | | | Motor | Moteur | | 100994 |
| 8 | | | Drain valve | Purgeur | | 8108 See group US8107 |
| 9 | 1 | 438 0271-02 | Outer drum | Extérieur du tambour | 1 | Non-heated |
| | 1 | 438 0271-03 | Outer drum | Extérieur du tambour | 1 | NON-HEATED, HI-TEK, SE |
| | 1 | 438 0271-01 | Outer drum | Extérieur du tambour | 1 | EL.FL-MP,PEC EL. |
| | | | | | | HEATED, HI-TEK |
| | 1 | 438 0271-04 | Outer drum | Extérieur du tambour | 1 | EL HEATED |
| | 1 | 438 0271-05 | Outer drum | Extérieur du tambour | 1 | STEAM HEATED, FL |
| | | | | | | HI-TEK |
| | 1 | 438 0271-07 | Outer drum | Extérieur du tambour | 1 | STEAM HEATED, FL |
| 10 | 3 | 471 9811-05 | Heating element | Élément de chauffage | 1,2 | 6kW 254V |
| | 3 | 471 9811-08 | Heating element | Élément de chauffage | 1,2 | 6kW 277V |
| 11 | 1 | | Back plate | Pignon arrière | | 100950 |
| 12 | 1 | 438 0281-01 | Bracket | Support de montage | 3 | |
| 13 | 6 | 725 2366-61 | Screw | Vis | 3 | M6SF 6X12 |
| 14 | 2 | 471 2072-98 | Tension strap | Extenseur | 3 | |
| 15 | 2 | 471 9222-59 | Screw | Vis | 3 | M8X140 |
| 16 | 4 | 471 8502-14 | Washer | Rondelle | 3 | BRB 8,4X17 |
| 17 | 2 | 732 2118-01 | Locking nut | Contre-écrou | 3 | M8 |
| 18 | 1 | 471 2438-14 | Rail | Support | 3 | -92/3403 |
| 19 | 1 | 471 2437-15 | Rubber cushion | Butoir en caoutchouc | 3 | -92/2567 |
| 20 | 2 | 725 2370-61 | Screw | Vis | 3 | M6SF 6X20 |
| 21 | 1 | 472 9913-22 | Sensor | Capteur | 1,2 | Complete |
| 22 | RQ | 471 8192-01 | •Bushing | •Douille | 1,2 | |
| 23 | 1 | 438 0241-02 | Pipe | Tube | 3 | |
| 24 | 2 | 438 0185-01 | Pin | Goupille | 3 | |
| 25 | 2 | 725 2366-61 | Screw | Vis | 3 | M6SF 6X12 |
| 26 | 1 | 438 0249-01 | Bracket | Support | 3 | |
| 27 | 1 | 471 8803-27 | Thermostat | Thermostat | | P2 |
| | 1 | 471 8804-02 | Thermostat | Thermostat | 1,2 | |
| 28 | 1 | 471 7801-08 | | | 3 | 92/3404- |
| 29 | 1 | 438 4042-01 | Angle | Coude | 3 | 92/2568- |



100992

| Issue | Month | Year |
|-------|-------|------|
| 02 | 09 | 94 |

W185,W185 EMERALD,W185 HI-TEK,SE185,FL185,FL185 HI-TEK

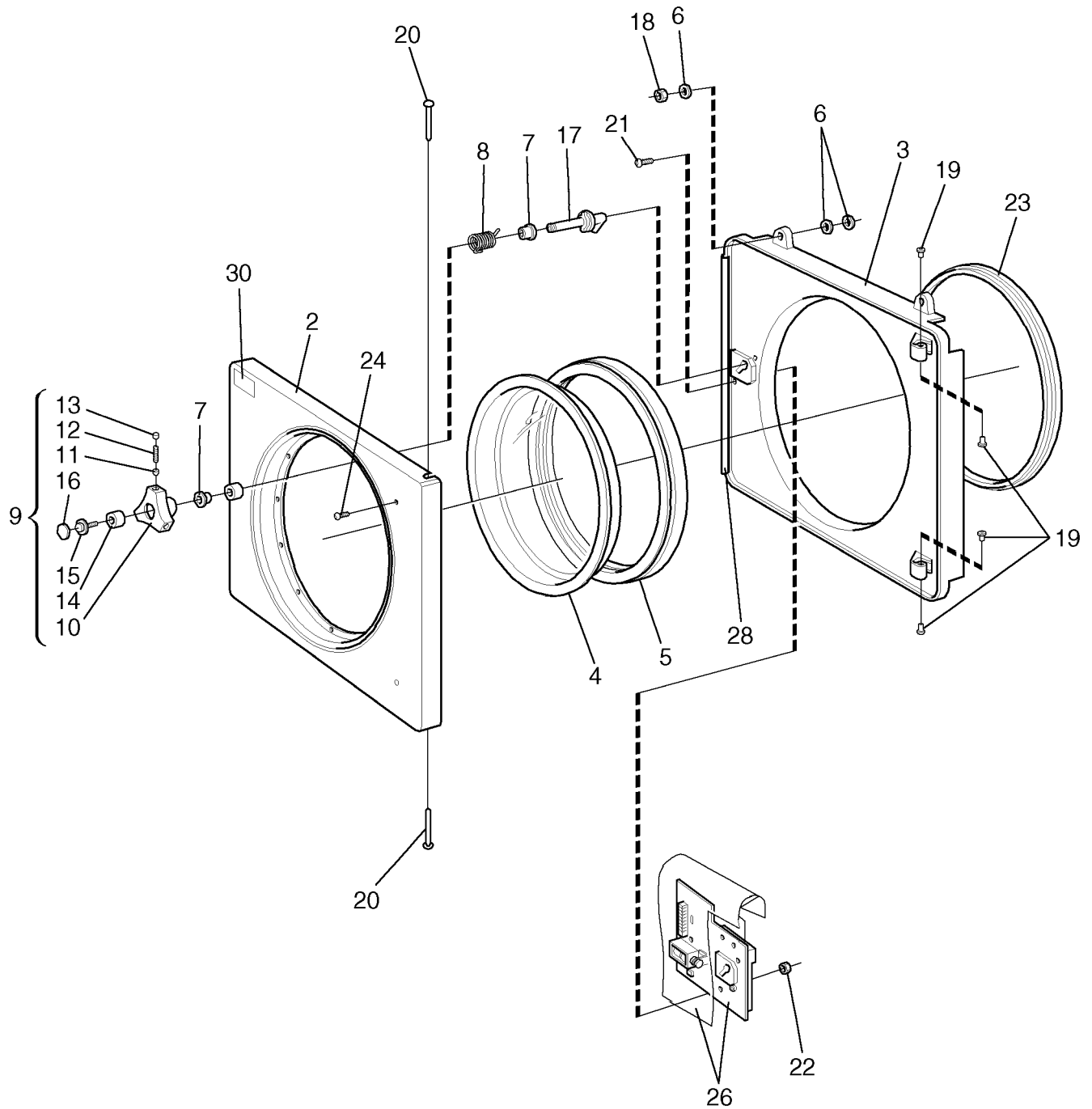
Panels and top panel

Panneaux et couvercle

Illustration Issue Month Year
Schéma Issue Month Year
100992 12 11 2000

| Item Article | Quantity Quantité | Art.No Réf. article | Description | Description | Info Info | Notes Remarques |
|--|----------------------|------------------------|---------------------|----------------------|--------------|--------------------|
| W185,W185 EMERALD,W185 HI-TEK,SE185,FL185,FL185 HI-TEK | | | | | | |
| 1 | 1 | 438 0282-19 | Front panel | Panneau avant | 1 | White |
| | 1 | 438 0282-20 | Front panel | Panneau avant | 1 | Blue |
| | 1 | 438 0282-21 | Front panel | Panneau avant | 1 | Yellow |
| | 1 | 438 0282-22 | Front panel | Panneau avant | 1 | Almond |
| | 1 | 438 0282-23 | Front panel | Panneau avant | 1 | Stainless |
| 2 | 2 | 438 0352-70 | Side panel | Panneau latéral | 1 | White |
| 3 | 2 | 438 0318-01 | Side cover | Protection latérale | 3 | White |
| 4 | 1 | 438 0356-48 | Brace bracket | Support de montant | 3 | |
| | 1 | 438 0356-50 | Brace bracket | Support de montant | 3 | |
| | 1 | 438 0356-49 | Brace bracket | Support de montant | 3 | LIQUID SUPPLY |
| 5 | 1 | 438 0284-01 | Rear plate | Plaque arrière | 3 | |
| | 1 | 438 0284-02 | Rear plate | Plaque arrière | 3 | STEAM |
| 6 | 1 | 438 0320-01 | Bracket | Pupitre | 3 | |
| 7 | 4 | 471 8340-23 | Screw | Vis | 3 | RTS 4,2X13 |
| 8 | 1 | 438 0319-01 | Brace | Montant | 3 | |
| 9 | 3 | 471 8641-01 | Plug | Fiche | 3 | |
| 10 | 10 | 471 8342-13 | Screw | Vis | 3 | MRT-TT 4X10 |
| 11 | 10 | 735 2136-01 | Lock washer | Rondelle d'arrêt | 3 | AZ 4,3 4,3 |
| 12 | 1 | | Mounting plate | Plaque de montage | 3 | |
| | 1 | | Mounting plate | Plaque de montage | 3 | |
| 13 | | | Control panel | Pupitre de contrôle | | SEE CONTROL PANELS |
| 14 | 1 | 471 7909-07 | Rail | Support | 3 | |
| 15 | 3 | 722 7843-02 | Pop rivet | Rivet | 3 | |
| 16 | 1 | | Sign | Signe | 3 | 100838 |
| 17 | 1 | 438 0340-01 | Top panel | Couvercle | 1 | |
| 18 | 1 | | Detergent container | Compartiment à savon | | See group US8802 |
| 19 | 1 | | Cover | Couvercle | 1 | See group US8802 |
| 20 | 1 | | •Rail | •Support | 3 | See group US8802 |
| 21 | 3 | | •Nut | •Écrou | 3 | M4 |
| 22 | 1 | 438 0078-01 | Gasket | Joint | 1,2 | -95/10424 |
| | 1 | 438 0460-01 | Gasket | Joint | 1,2 | 95/10425- |
| 23 | 1 | 471 2098-71 | Insulating disc | Couche isolante | 3 | 400X700 |
| 24 | 2 | 471 7826-13 | Lock | Serrure | 1,2 | Coin-meter |
| 25 | 2 | 471 7826-20 | Key | Touche | 1,2 | FH025 Coin-meter |
| 26 | 2 | 471 7826-98 | Nut | Écrou | 3 | |
| 27 | 2 | 471 7826-14 | Lock | Serrure | 3 | WITHOUT COIN-METER |
| 28 | 1 | 471 7826-97 | Allen key | Clé hexagonale | 3 | |
| 29 | 6 | 471 8196-01 | Plug | Fiche | 3 | |
| 30 | 8 | 725 2366-42 | Screw | Vis | 3 | M6X12 |
| 31 | 1 | 438 0233-01 | Support | Support | 3 | |
| | 1 | 438 0390-01 | Support | Support | 3 | FL HI-TEK |
| 32 | 3 | 438 0237-01 | Guide pin | Broche de guidage | 3 | |
| 33 | 3 | 725 2289-61 | Screw | Vis | 3 | M4X10 |
| 34 | 1 | 438 0150-01 | Bracket | Support de montage | 3 | |
| 35 | 1 | 438 0321-01 | Bracket | Support de montage | 3 | |
| 36 | 1 | 471 8164-01 | Grommet | Oeillet | 3 | |
| 37 | 1 | | Panel sign | Voyant du tableau | | |
| 38 | 2 | 725 2366-61 | Screw | Vis | 3 | M6SF 6X12 |

1



100993

| Issue | Month | Year |
|-------|-------|------|
| 02 | 10 | 01 |

W185,W185 EMERALD,W185 HI-TEK,SE185,FL185,FL185 HI-TEK

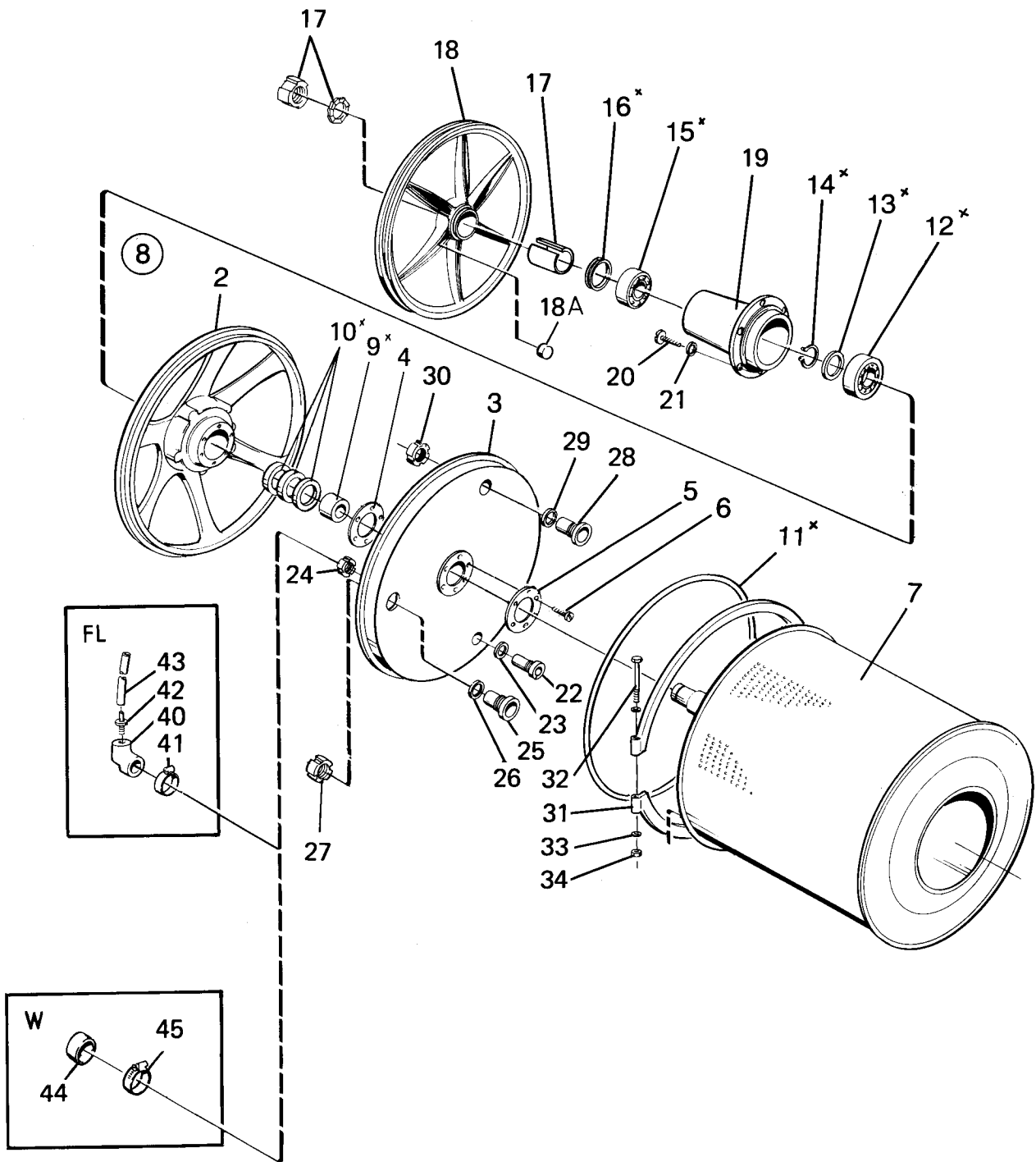
Door and door lock

Plaque et serrure de porte

Illustration Issue Month Year
Schéma Issue Month Year
100993/2 14 10 2001

| Item Article | Quantity Quantité | Art.No Réf. article | Description | Description | Info Info | Notes Remarques |
|---|----------------------|------------------------|-------------|---------------------|----------------------|--------------------------|
| W185,W185 EMERALD,W185 HI-TEK,SE185 FL185,FL185 HI-TEK | | | | | | |
| 1 | 1 | 1 | 438 0257-01 | Door | Plaque | 1,2 Complete |
| 2 | 1 | 1 | 438 0183-03 | •Support frame | •Panneau de fixation | 3 |
| 3 | 1 | 1 | 438 0182-03 | •Support frame | •Panneau de fixation | 3 |
| 4 | 1 | 1 | 438 0184-01 | •Door glass | •Vitre de la porte | 1 |
| 5 | 1 | 1 | 438 0462-01 | •Door gasket | •Joint de la porte | 1,2 |
| 6 | 27 | 27 | 734 1153-01 | •Washer | •Rondelle | 3 BRB 6,4X12 |
| 7 | 2 | 2 | 438 4063-01 | •Bushing | •Douille | 1 |
| 8 | 1 | 1 | 438 0144-01 | •Torsion spring | •Ressort rotatif | 1 |
| 9 | 1 | 1 | 472 9911-08 | •Spare parts kit | •Kit pièces rechange | 1 Knob compl. KNOB |
| 10 | 1 | 1 | 438 0061-01 | ••Knob | ••Bouton | 1 |
| 11 | 3 | 3 | 738 6117-13 | ••Ball | ••Bille | 3 |
| 12 | 3 | 3 | 471 7803-19 | ••Spring | ••Ressort | 3 |
| 13 | 3 | 3 | 728 8362-11 | ••Screw | ••Vis | 3 |
| 14 | 1 | 1 | 438 0059-01 | ••Bushing | ••Douille | 3 |
| 15 | 1 | 1 | 725 2366-61 | ••Screw | ••Vis | 3 M6SF 6X12 |
| 16 | 1 | 1 | 438 0060-01 | ••Cover | ••Couvercle | 3 |
| 17 | 1 | 1 | 438 0143-01 | ••Shaft | ••Arbre | 1 |
| 18 | 7 | 7 | 732 2116-01 | •Locking nut | •Contre-écrou | 3 M6 |
| 19 | 4 | 4 | 438 4062-01 | •Bushing | •Douille | 1 |
| 20 | 2 | 2 | 438 0239-01 | •Shaft | •Arbre | 1 |
| 21 | 2 | 2 | 725 6328-42 | •Screw | •Vis | 3 M5X16 |
| 22 | 2 | 2 | 732 2114-01 | •Locking nut | •Contre-écrou | 3 M5 |
| 23 | 1 | 1 | 471 8198-02 | •Gasket | •Bande de garniture | 3 |
| 24 | 2 | 2 | 471 7961-01 | Rivet | Rivet | 3 M4X10 |
| 25 | | | | | | Not used |
| 26 | 1 | | 438 3056-32 | Door locking device | Serrure de porte | 1,2 240V P3 93/5066- |
| | 1 | | 438 3056-31 | Door locking device | Serrure de porte | 1,2 120V P3 93/5066- |
| | 1 | | 438 3056-12 | Door locking device | Serrure de porte | 1,2 240V HI-TEK 93/5066- |
| | 1 | | 438 3056-11 | Door locking device | Serrure de porte | 1,2 120V HI-TEK 93/5066- |
| | 1 | 1 | 438 3056-01 | Door locking device | Serrure de porte | 1,2 120V 93/5066- |
| | 1 | | 472 9902-50 | Door locking device | Serrure de porte | 1,2 120V P3 -93/5065 |
| | 1 | | 472 9902-51 | Door locking device | Serrure de porte | 1,2 220V P3 -93/5065 |
| | 1 | 1 | 472 9902-61 | Door locking device | Serrure de porte | 1,2 240V -95/11023 |
| | 1 | 1 | 472 9902-66 | Door locking device | Serrure de porte | 1,2 240V HI-TEK -94/9531 |
| | 1 | 1 | 438 3056-04 | Door locking device | Serrure de porte | 1,2 240V 95/11024- |
| | 1 | | 438 3056-04 | Door locking device | Serrure de porte | 1,2 240V HI-TEK 94/9532- |
| 27 | | | | | | Not used |
| 28 | 1 | 1 | 471 8197-02 | Rubber strip | Joint caoutchouc | 3 |
| 29 | | | | | | Not used |
| 30 | 1 | 1 | 471 7651-17 | Warning sign | Signal avertissement | 3 English |
| | 1 | 1 | 471 7651-21 | Warning sign | Signal avertissement | 3 Spanish |
| | 1 | 1 | 471 7651-19 | Warning sign | Signal avertissement | 3 French |

1



| Issue | Month | Year |
|-------|-------|------|
| 05 | 06 | 99 |

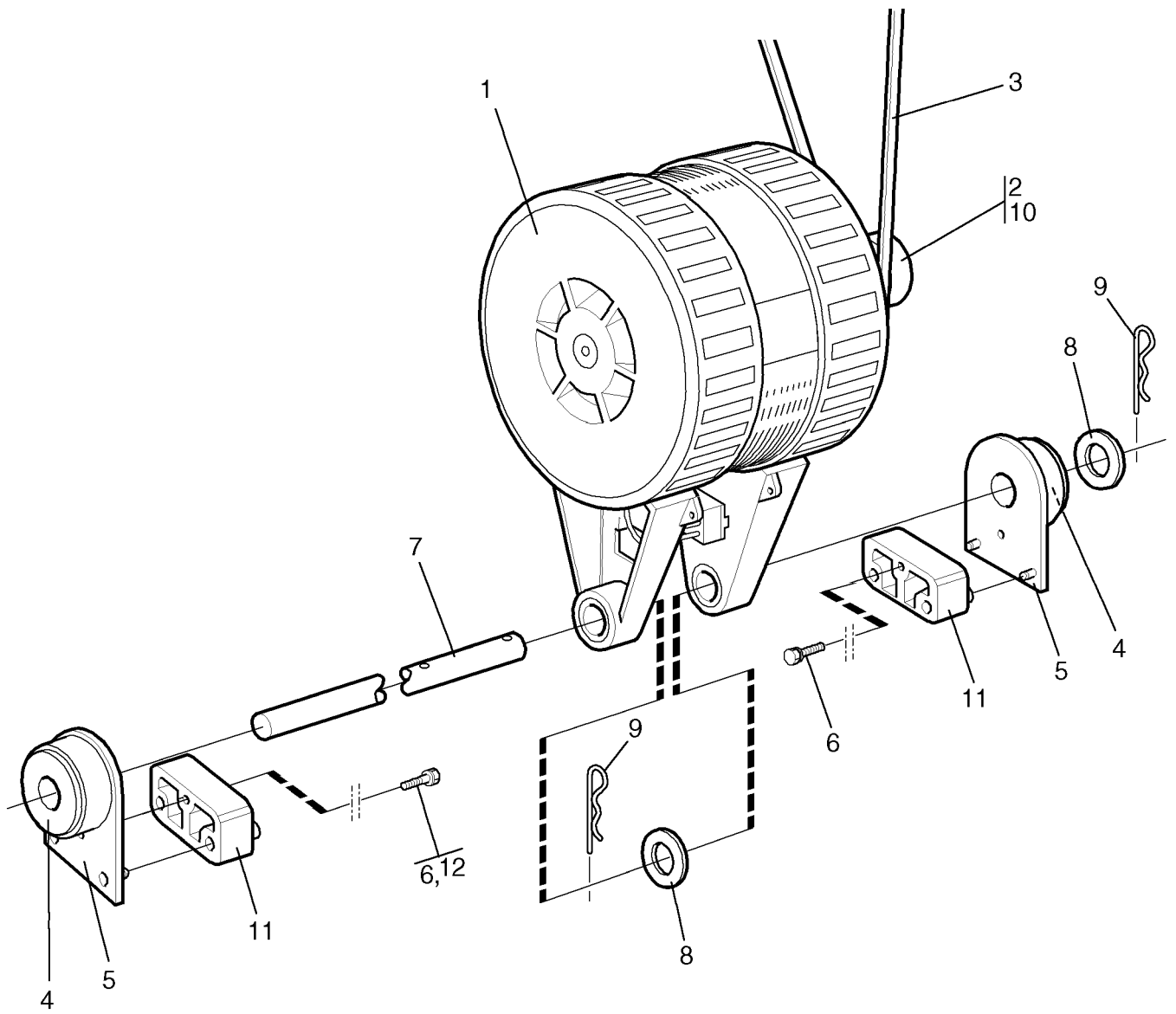
W185,W185 EMERALD,W185 HI-TEK,SE185,FL185,FL185 HI-TEK

Back plate with inner drum, bearings, pulley

Illustration Issue Month Year
Schéma Issue Month Year
100950/1 9 4 1995

Pignon arrière avec tambour intérieur

| Item Article | Quantity Quantité | Art.No Réf. article | Description | Description | Info Info | Notes Remarques |
|-----------------|----------------------|---|------------------|------------------------|--------------|--------------------|
| | | W185,W185 EMERALD,W185 HI-TEK,SE185 FL185,FL185 HI-TEK | | | | |
| 1 | 1 | 471 2960-08 | Back plate | Pignon arrière | 1 | Complete |
| | 1 | 471 2960-10 | Back plate | Pignon arrière | 1 | Complete |
| 2 | 1 | 438 0413-01 | •Back plate | •Pignon arrière | 3 | |
| 3 | 1 | 471 2914-01 | •Plate | •Plaque | 3 | |
| 4 | 1 | 471 2574-02 | •Gasket | •Joint | 3 | |
| 5 | 1 | 471 2440-89 | •Washer | •Rondelle | 3 | |
| 6 | 6 | 471 8311-00 | •Screw | •Vis | 3 | M6SFTT 5X16 |
| 7 | 1 | 438 0267-01 | •Inner drum | •Intérieur du tambour | 1 | |
| 8 | 1 | 472 9902-12 | •Repair kit | •Kit reconditionnement | 1,2 | |
| 9 | 1 | | ••Bushing | ••Douille | | |
| 10 | 1 | | ••Sealing ring | ••Bague d'étanchéité | | |
| 11 | 1 | 471 2451-81 | ••Rubber strip | ••Joint caoutchouc | 1 | |
| 12 | 1 | | ••Ball bearing | ••Roulement à billes | | |
| 13 | 1 | | ••Ring | ••Anneau | | |
| 14 | 1 | | ••C-clamp | ••Presse à main | | SGA60 |
| 15 | 1 | | ••Ball bearing | ••Roulement à billes | | |
| 16 | 1 | | ••V-ring | ••Anneau en forme de V | | |
| 17 | 1 | 471 8551-02 | •Sleeve | •Manchon | 1 | Complete |
| 18 | 1 | 471 2539-02 | •Pulley | •Poulie | 1 | WITH MAGNET |
| 18A | 2 | 471 9560-01 | ••Magnet | ••Aimant | 1 | |
| 19 | 1 | 438 4176-01 | •Bearing housing | •Logement de palier | 3 | |
| 20 | 6 | 725 2634-71 | •Screw | •Vis | 3 | M16X60 |
| 21 | 6 | 734 1186-01 | •Washer | •Rondelle | 3 | BRB 17X30 |
| 22 | 1 | 438 0456-01 | •Nipple | •Raccord | 1 | |
| 23 | 1 | 471 2440-10 | •Gasket | •Joint | 1 | |
| 24 | 1 | 438 0457-01 | •Nut | •Écrou | 1 | |
| 25 | 1 | 438 4101-01 | •Nipple | •Raccord | 1 | |
| 26 | 1 | 471 2441-44 | •Gasket | •Joint | 1 | |
| 27 | 1 | 438 4100-01 | •Nut | •Écrou | 1 | |
| 28 | 1 | 438 0458-01 | •Nipple | •Raccord | 1 | |
| 29 | 1 | 471 2440-12 | •Gasket | •Joint | 1 | |
| 30 | 1 | 438 0459-01 | •Nut | •Écrou | 1 | |
| 31 | 2 | 471 2072-98 | Tension strap | Extenseur | 3 | |
| 32 | 2 | 471 9222-59 | Screw | Vis | 3 | M8X140 |
| 33 | 4 | 471 8502-14 | Washer | Rondelle | 3 | BRB 8,4X17 |
| 34 | 2 | 732 2118-01 | Locking nut | Contre-écrou | 3 | M8 |
| 35 | | | | | | Not used |
| 36 | | | | | | Not used |
| 37 | | | | | | Not used |
| 38 | | | | | | Not used |
| 39 | | | | | | Not used |
| 40 | 1 | 471 2095-32 | Air chamber | Chambre à air | 1 | |
| 41 | 1 | 736 2840-51 | Hose clamp | Attache flexible | 3 | Ø50-63 |
| 42 | 1 | 471 2401-52 | Nipple | Raccord | 3 | |
| 43 | 1 | 471 2436-10 | Hose | Flexible | 1 | |
| 44 | 1 | 471 2416-83 | Hood | Capot | 3 | |
| 45 | 1 | 736 2825-51 | Hose clamp | Attache flexible | 3 | Ø32 |



| Issue | Month | Year |
|-------|-------|------|
| 02 | 11 | 92 |

100994

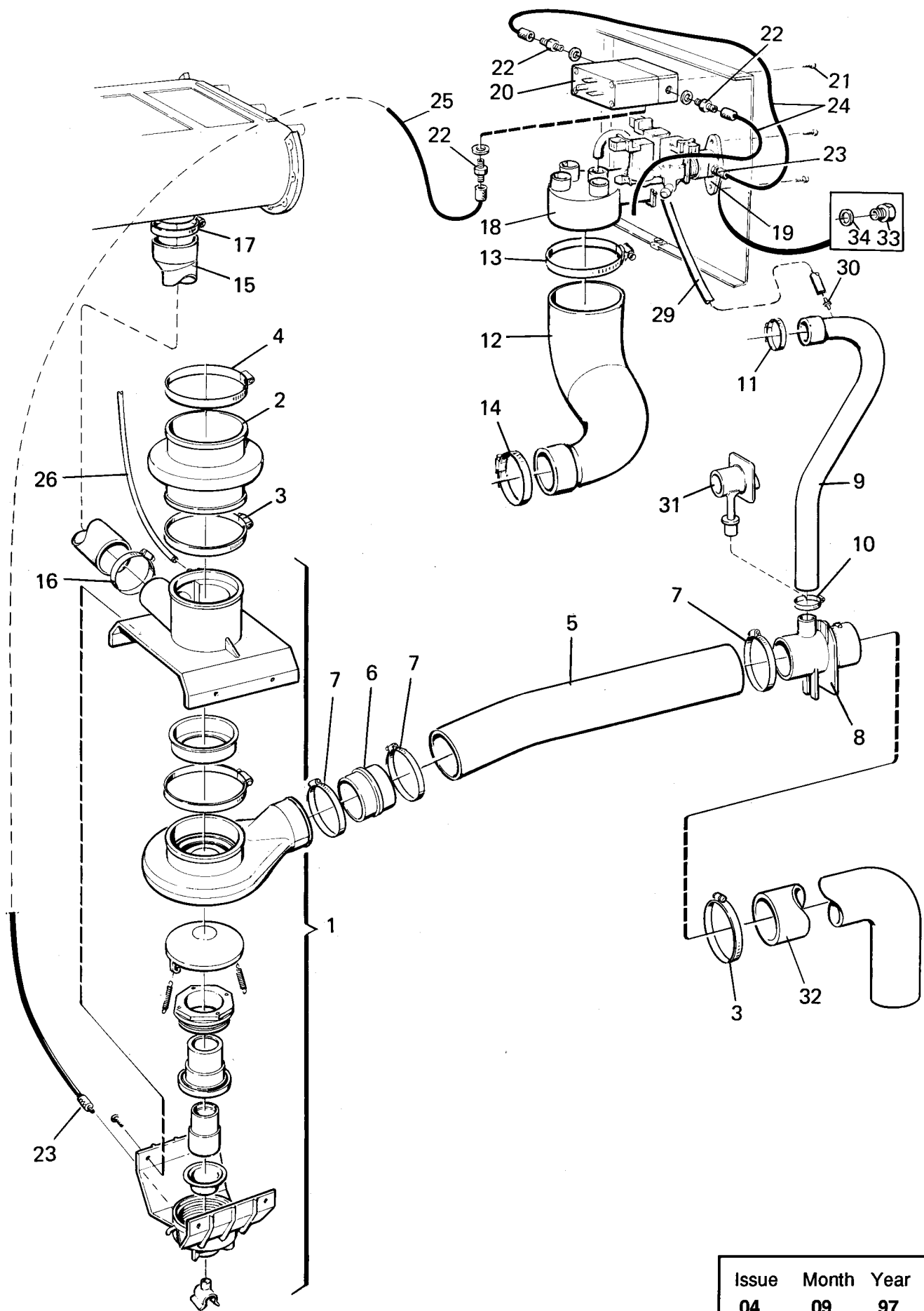
W185,W185 EMERALD,W185 HI-TEK,SE185,FL185,FL185 HI-TEK

Motor and motor suspension

Purgeur et flexible

Illustration Issue Month Year
Schéma Issue Month Year
100994 10 10 1997

| Item Article | Quantity Quantité | Art.No Réf. article | Description | Description | Info Info | Notes Remarques |
|-----------------|----------------------|------------------------|---|-----------------------|--------------|--------------------|
| | | | W185,W185 EMERALD,W185 HI-TEK,SE185 FL185,FL185 HI-TEK | | | |
| 1 | 1 | 1 | Motor | Moteur | 1,2 | See group US8202 |
| 2 | 1 | 471 2078-44 | Pulley | Poulie | 3 | 60Hz |
| | 1 | 471 2078-43 | Pulley | Poulie | 3 | 50Hz |
| 3 | 1 | 471 7701-54 | V-belt | Courroie trapézoïdale | 1,2 | 60Hz SET OF 2 |
| 4 | 2 | 438 4049-01 | Damper | Amortisseur | 3 | |
| 5 | 2 | 438 0014-01 | Bracket | Pièce de retenue | 3 | |
| 6 | 1 | 725 2380-61 | Screw | Vis | 3 | M6SF-TT 6X50 |
| 7 | 1 | 438 0016-03 | Pipe | Tube | 3 | -92/2567 |
| | 1 | 438 0016-06 | Pipe | Tube | 3 | 92/2568- |
| 8 | 2 | 471 8502-24 | Washer | Rondelle | 3 | 12x35 |
| 9 | 2 | 471 7867-01 | Pin | Goupille/broche | 3 | |
| 10 | 2 | 728 8362-01 | Screw | Vis | 3 | SK6SS 6X8 |
| 11 | 2 | 438 0298-02 | Spacer | Entretoise | 3 | |
| 12 | 1 | 725 2370-61 | Screw | Vis | 3 | M6SF 6X20 |



100995

| Issue | Month | Year |
|-------|-------|------|
| 04 | 09 | 97 |

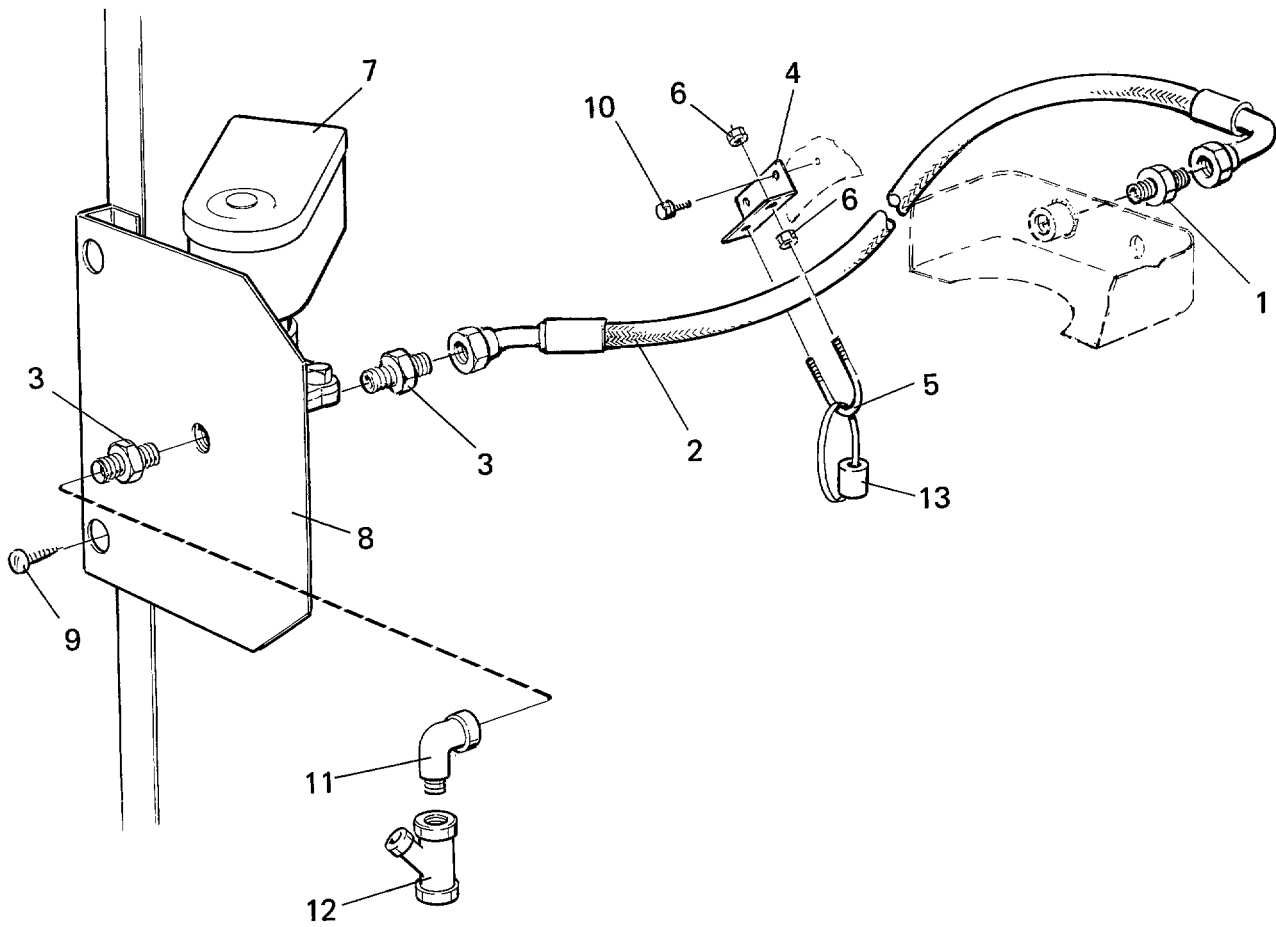
W185,W185 EMERALD,W185 HI-TEK,SE185,FL185,FL185 HI-TEK

Drain valve and hoses

Soupape d'échappement et flexible

Illustration Issue Month Year
Schéma Issue Month Year
100995/1 10 12 1999

| Item Article | Quantity Quantité | Art.No Réf. article | Description | Description | Info Info | Notes Remarques |
|---|----------------------|------------------------|----------------|---------------------|--------------|------------------------------------|
| W185,W185 EMERALD,W185 HI-TEK,SE185 FL185,FL185 HI-TEK | | | | | | |
| 1 | 1 | 438 0093-01 | Drain valve | Purgeur | 1,2 | Complete Complete See group US8107 |
| | 1 | 472 8754-10 | Drain valve | Purgeur | 1,2 | 230V Complete |
| | 1 | 472 8754-11 | Drain valve | Purgeur | 1,2 | 100V 50Hz,120V 60Hz Complete |
| 2 | 1 | 471 2904-01 | Connection | Flexible caoutchouc | 1,2 | |
| 3 | 1 | 736 2849-51 | Hose clamp | Attache flexible | 3 | Ø77-93 |
| 4 | 1 | 471 7851-03 | Hose clamp | Attache flexible | 3 | Ø95-115 |
| 5 | 4 | 438 0278-01 | Hose | Flexible | 1,2 | |
| 6 | 4 | 438 0083-01 | Joint sleeve | Couvre-joint | 3 | |
| 7 | 3 | 736 2846-51 | Hose clamp | Attache flexible | 3 | Ø73-83 |
| 8 | 1 | 438 0084-01 | Connection | Flexible caoutchouc | 3 | 93/4082- |
| | 1 | 438 0084-02 | Connection | Flexible caoutchouc | 3 | -93/4081 |
| 9 | 1 | 438 0384-01 | Hose | Flexible | 1,2 | -93/4081 |
| | 1 | 438 0279-01 | Hose | Flexible | 1,2 | 93/4082- |
| 10 | 1 | 736 2831-51 | Hose clamp | Attache flexible | 3 | Ø36-42 |
| 11 | 1 | 736 2840-51 | Hose clamp | Attache flexible | 3 | Ø50-63 |
| 12 | 1 | 438 0277-01 | Hose | Flexible | 1,2 | |
| 13 | 1 | 736 2849-51 | Hose clamp | Attache flexible | 3 | Ø77-93 |
| 14 | 1 | 736 2840-51 | Hose clamp | Attache flexible | 3 | Ø50-63 |
| 15 | 1 | 438 4863-06 | Hose | Flexible | 1,2 | |
| 16 | 1 | 736 2834-51 | Hose clamp | Attache flexible | 3 | Ø38-48 |
| 17 | 1 | 436 2840-51 | | | 3 | |
| 18 | 1 | 471 4516-03 | Air inlet | Prise d'air | 3 | |
| 19 | 1 | 438 0056-04 | Nipple | Raccord | 3 | White, 3/4", USA |
| | 1 | 438 0056-03 | Nipple | Raccord | 3 | Black, 3/4" |
| 20 | 1 | 471 8243-05 | Solenoid valve | Electrovanne | 1,2 | 208-240V 60Hz |
| | 1 | 471 8243-06 | Solenoid valve | Electrovanne | 1,2 | 120V 60Hz |
| | 1 | 471 8243-04 | Solenoid valve | Electrovanne | 1,2 | 220-240V 50Hz |
| 21 | 2 | 471 8341-13 | Screw | Vis | 3 | MRT 4X10 |
| 22 | 3 | 471 8688-12 | Nipple | Raccord | 3 | 1/4" |
| 23 | 2 | 471 8688-13 | Nipple | Raccord | 3 | 1/8" |
| 24 | 1 | 471 8139-01 | Hose | Flexible | 1,2 | L=330 L=250 |
| 25 | 1 | 471 8139-04 | Hose | Flexible | 1,2 | L=1650 L=1450 |
| 26 | 1 | 471 2425-28 | Hose | Flexible | 1,2 | L=1180 |
| 27 | | | | | | Not used |
| 28 | | | | | | Not used |
| 29 | 1 | 471 2449-72 | Hose | Flexible | 1 | |
| 30 | 1 | 471 2432-25 | Hose nipple | Mamelon de flexible | 1 | |
| 31 | | | | | | Not used |
| 32 | 1 | 471 4835-01 | Hose | Flexible | 1 | |
| 33 | 1 | 741 5109-25 | Plug | Fiche | 3 | |
| 34 | 1 | 740 4207-00 | O-ring | Joint torique | 3 | |



100996

| Issue | Month | Year |
|-------|-------|------|
| 02 | 12 | 92 |

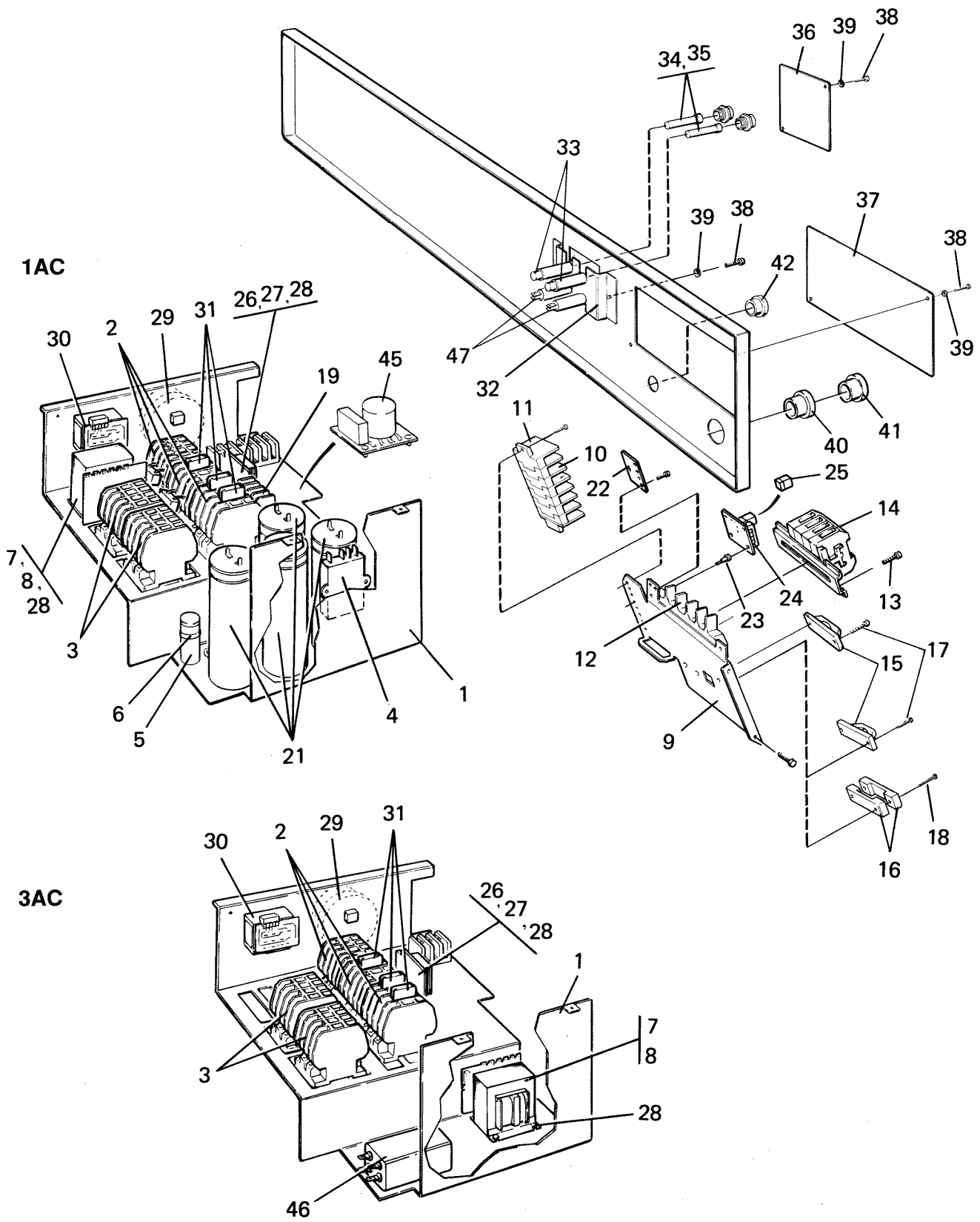
W185,W185 EMERALD,W185 HI-TEK,SE185,FL185,FL185 HI-TEK

Steam injector

Injecteur de vapeur

Illustration Issue Month Year
Schéma Issue Month Year
100996 7 8 2001

| Item Article | Qua Qua | Art.No Réf. article | Description | Description | Info Info | Notes Remarques |
|-----------------|------------|------------------------|----------------|---------------------|--------------|-------------------------------|
| 1 | 1 | 438 0168-02 | Steam injector | Injecteur de vapeur | 3 | |
| 2 | 1 | 471 8126-16 | Hose | Flexible | 1,2 | L=900 |
| 3 | 2 | 471 8670-03 | Nipple | Raccord | 3 | |
| 4 | 1 | 438 0330-01 | Bracket | Support de montage | 3 | |
| 5 | 1 | 471 8308-07 | Clamp | Bride de fixation | 3 | |
| 6 | 4 | 731 2318-01 | Nut | Écrou | 3 | M8 |
| 7 | 1 | 471 8279-03 | Valve | Soupape | 1,2 | 50/60 Hz |
| | 1 | 471 8279-08 | •Repair kit | •Kit de réparation | 1,2 | |
| 8 | 1 | 438 0167-01 | Plate | Plaque | 3 | |
| 9 | 5 | 729 9342-61 | Screw | Vis | 3 | 4,2X13 |
| 10 | 2 | 725 2366-61 | Screw | Vis | 3 | M6SF 6X12 |
| 11 | 1 | 471 9030-34 | Angle | Coude | 3 | |
| 12 | 1 | 744 3113-06 | Filter | Filtre | 3 | R 1/2 |
| 13 | 1 | 438 0341-02 | Washer | Rondelle | 3 | PRESSURE 6-7 BAR, 92/3404- |



100949

| Issue | Month | Year |
|-------|-------|------|
| 07 | 05 | 96 |

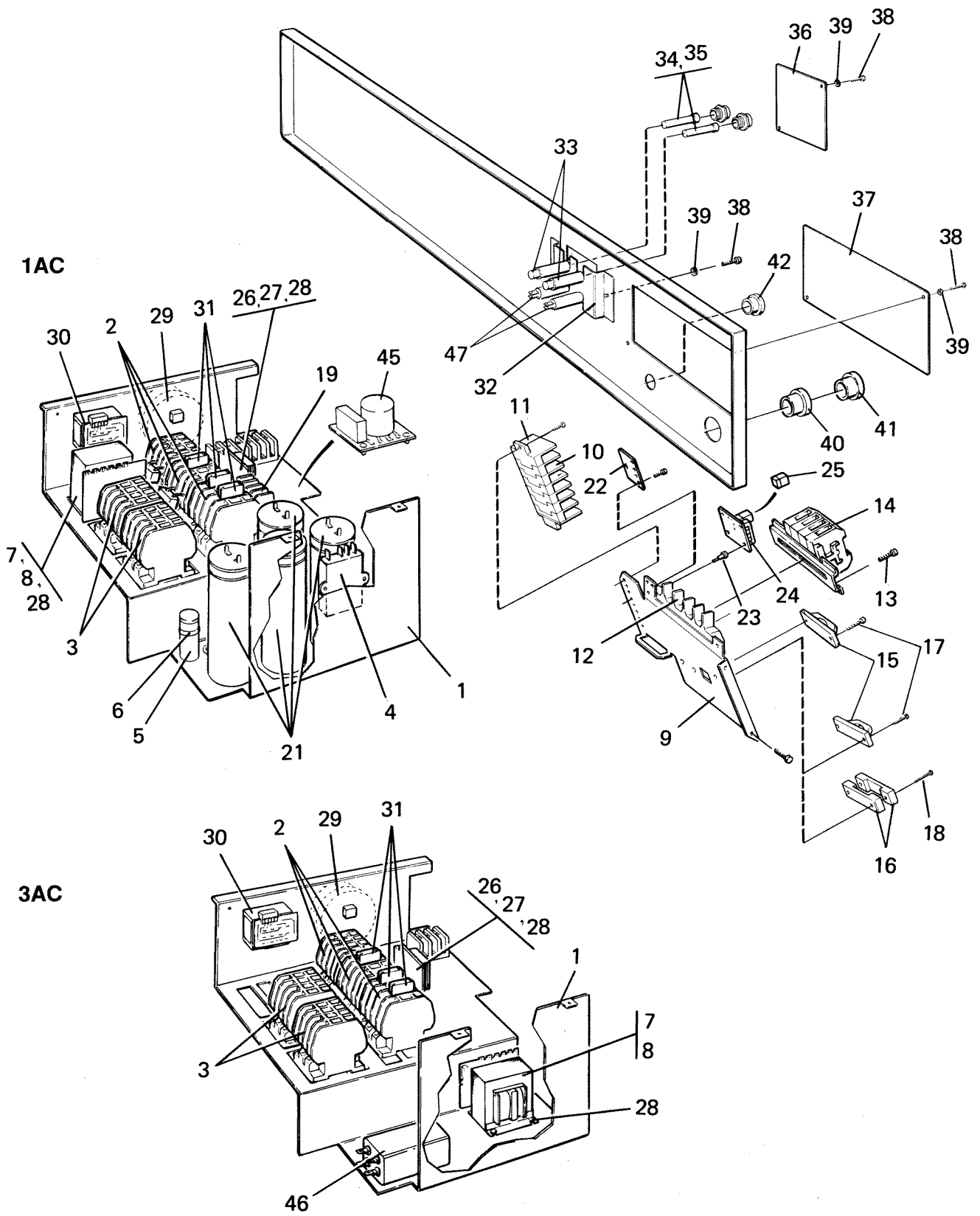
W185,SE185

Electric components

Composants électriques

Illustration Issue Month Year
Schéma Issue Month Year
100949 14 3 1995

| Item Article | Qua Qua | Art.No Réf. article | Description | Description | Info Info | Notes Remarques |
|-----------------|------------|------------------------|-----------------------|-----------------------|--------------|---------------------------|
| 1 | 1 | 438 0353-01 | Mounting plate | Plaque de montage | 3 | |
| 2 | RQ | 438 9636-02 | Contactactor | Relais | 1,2 | 50Hz, K3-10 K2-12 |
| | RQ | 438 9636-03 | Contactactor | Relais | 1,2 | 60Hz, K3-10 K2-12 |
| | RQ | 767 5103-12 | Contactactor | Relais | 1,2 | 60Hz |
| 3 | 2 | 438 9636-02 | Contactactor | Relais | 1,2 | 50Hz, K3-10 K2-12 |
| | 2 | 438 9636-03 | Contactactor | Relais | 1,2 | 60Hz, K3-10 K2-12 |
| 4 | 1 | 472 9902-22 | Relay | Relais | 1,2 | -92/1656 |
| 5 | 1 | 471 9566-05 | Relay | Relais | 1,2 | 230V 92/1657- |
| | 1 | 471 9566-01 | Relay | Relais | 1,2 | 120V 92/1657- |
| 6 | 1 | 762 9112-07 | Strap | Bande | 3 | |
| 7 | 1 | 471 9565-03 | Transformer | Transformateur | 1 | PRIM.200,346,380,400,480V |
| 8 | 1 | 762 8151-91 | •Fuse | •Porte-fusible | 1,2 | 5X20MM, 0,315A |
| 9 | 1 | 438 0354-01 | Mounting plate | Plaque de montage | 3 | |
| | 1 | 438 0354-02 | Mounting plate | Plaque de montage | 3 | El. heated |
| 10 | 7 | 471 8760-01 | Block | Cale | 3 | |
| 11 | 1 | 471 8760-02 | End support | Support | 3 | |
| 12 | 1 | 471 8759-01 | Block | Cale | 3 | |
| 13 | 7 | 471 8342-13 | Screw | Vis | 3 | MRT-TT 4X10 |
| 14 | 1 | 471 8762-01 | Block | Cale | 3 | 3N AC El. heated |
| 15 | 1 | 471 7865-03 | Cable clip | Pièce fixation câbles | 3 | |
| 16 | 2 | 471 9006-61 | Cable clamp | Fixation câbles | 3 | |
| 17 | 2 | 471 8346-06 | Screw | Vis | 3 | 3,5X25 |
| 18 | 2 | 471 8341-19 | Screw | Vis | 3 | M4X40 |
| 19 | 1 | 471 9604-05 | Motor cover | Protection du moteur | 1,2 | |
| 20 | | | | | | Not used |
| 21 | RQ | 471 9525-20 | Capacitor | Condensateur | 1 | 20MF |
| | RQ | 471 9525-21 | Capacitor | Condensateur | 1 | 50MF |
| | RQ | 471 9525-28 | Capacitor | Condensateur | 1 | 160 MF |
| | RQ | 471 9525-23 | Capacitor | Condensateur | 1 | 200MF |
| 22 | 1 | 438 0439-01 | Bracket | Pupitre | 3 | |
| 23 | 3 | 471 7958-01 | Support | Support | 3 | |
| 24 | 1 | 438 3058-01 | Printed circuit board | Circuit imprimé | 1,2 | |
| 25 | 1 | 471 9649-01 | Relay | Relais | 1,2 | |
| 26 | 1 | 471 9558-03 | Transformer | Transformateur | 1,2 | MP |
| | 1 | 471 9559-03 | Transformer | Transformateur | 1,2 | 1" W185 HI-TEK |
| 27 | 1 | 472 9913-43 | Clamp | Bride de fixation | 3 | Kit 25 pcs |
| 28 | 4 | 471 8342-13 | Screw | Vis | 3 | MRT-TT 4X10 |
| 29 | 1 | 471 8859-02 | Level control | Réglage de niveau | 1,2 | W185 |
| | 1 | 471 8859-04 | Level control | Réglage de niveau | 1,2 | SE185 |
| 30 | 1 | 471 8803-27 | Thermostat | Thermostat | 1,2 | P2 |
| 31 | RQ | 767 5102-92 | Auxiliary contact | Contact de secours | 1,2 | Red HN-01 |
| | RQ | 767 5802-09 | Auxiliary contact | Contact de secours | 1,2 | Green HA-01 |
| 32 | 1 | 438 0355-01 | Mounting plate | Plaque de montage | 3 | |
| 33 | RQ | 471 8756-51 | Insert | Insertion | 3 | 5X20MM |
| 34 | RQ | 471 8756-51 | Insert | Insertion | 1 | 5X20MM |
| | RQ | 471 8756-52 | Insert | Insertion | 1 | 6,3X32MM,60Hz -96/16104 |
| 35 | RQ | 471 8750-11 | Fuse | Porte-fusible | 1,2 | 1,25A |
| | RQ | 471 9027-85 | Fuse | Porte-fusible | 1,2 | 60Hz -96/16104 |
| 36 | 1 | 438 0358-02 | Cover | Couvercle | 3 | |
| 38 | 6 | 471 8340-23 | Screw | Vis | 3 | RTS 4,2X13 |
| 39 | 6 | 735 2136-01 | Lock washer | Rondelle d'arrêt | 3 | AZ 4,3 |
| 40 | 1 | 471 8708-01 | Plug | Fiche | 3 | Ø37MM -94/55602 |
| | 1 | 762 1215-10 | Grommet | Oeillet | 3 | Ø48/35mm 94/55603- |
| 41 | 1 | 471 7967-02 | Grommet | Oeillet | 3 | 94/55603- |
| 42 | RQ | 471 7967-01 | Bushing | Douille | 3 | |
| 43 | 1 | 471 9636-02 | Contactactor | Relais | 1,2 | 60Hz |
| | 1 | 471 9636-03 | Contactactor | Relais | 1,2 | 50Hz |
| 44 | 2 | 471 8346-05 | Screw | Vis | 3 | |
| 45 | | | | | | Not used |



100949

| Issue | Month | Year |
|-------|-------|------|
| 07 | 05 | 96 |

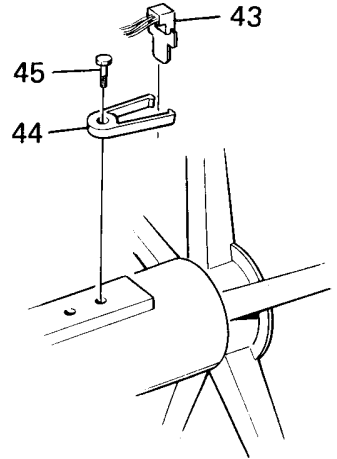
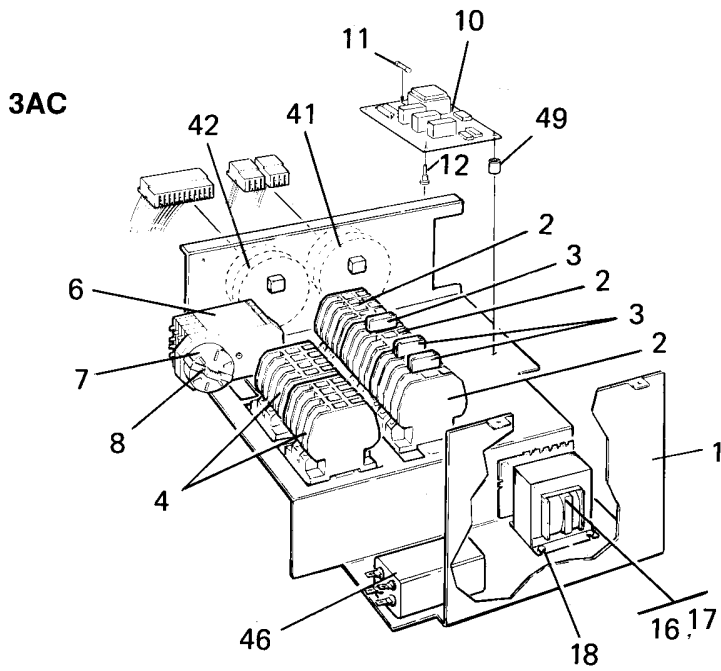
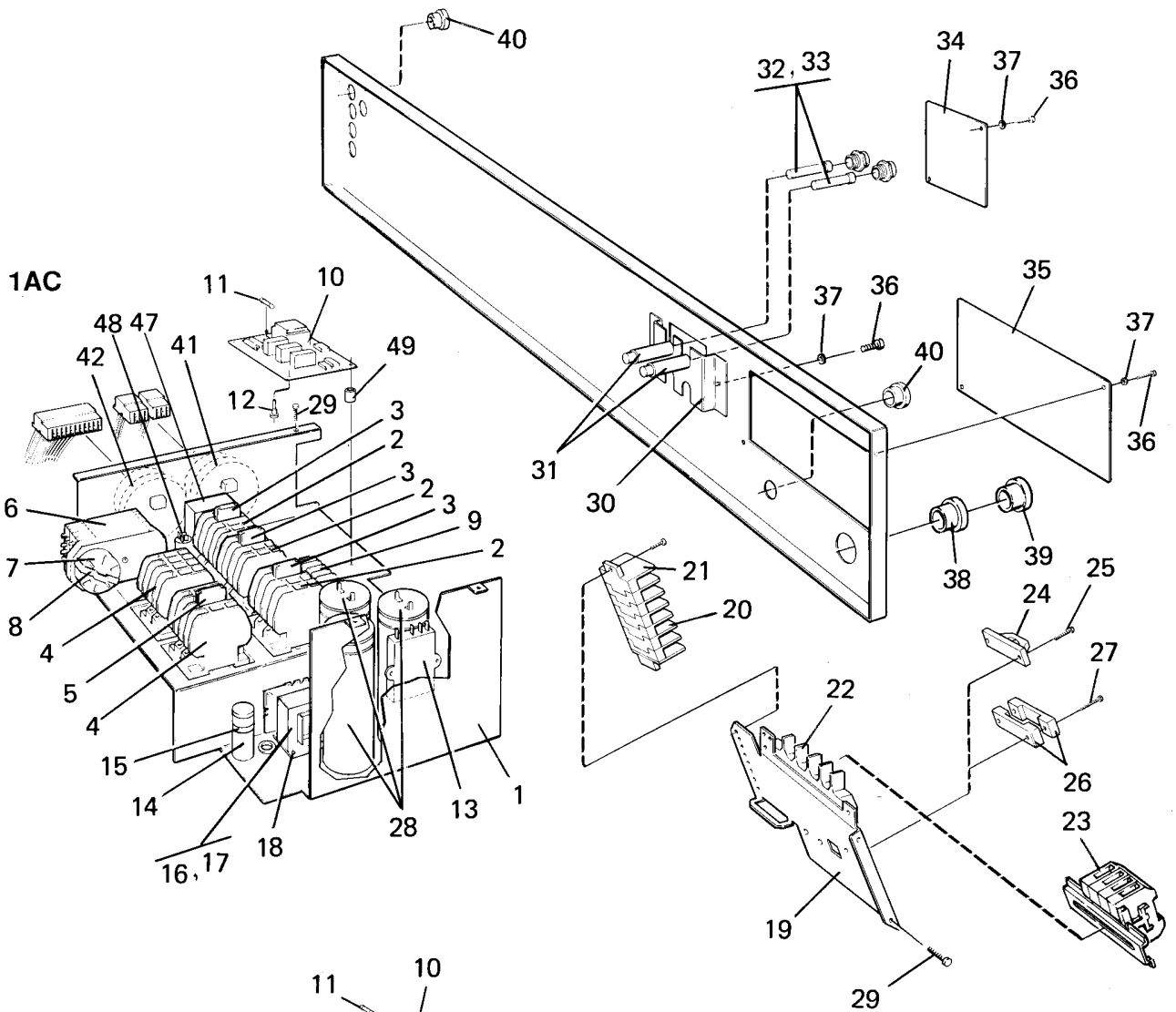
W185,SE185

Electric components

Composants électriques

| | | | |
|---------------|-----------|----------|-------------|
| Illustration | Issue | Month | Year |
| Schéma | Issue | Month | Year |
| 100949 | 14 | 3 | 1995 |

| Item Article | Qua Qua | Art.No Réf. article | Description | Description | Info Info | Notes Remarques |
|-----------------|------------|------------------------|-------------|-------------|--------------|--------------------|
| 46 | 1 | 471 9529-05 | LC-filter | Filtre LC | 1 | 3AC |



| Issue | Month | Year |
|-------|-------|------|
| 06 | 09 | 95 |

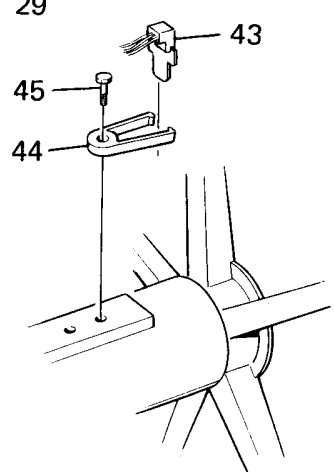
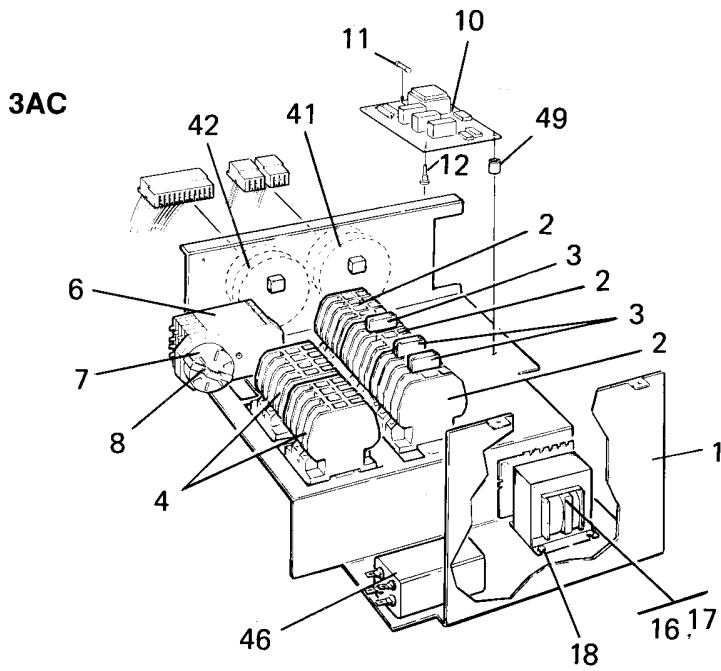
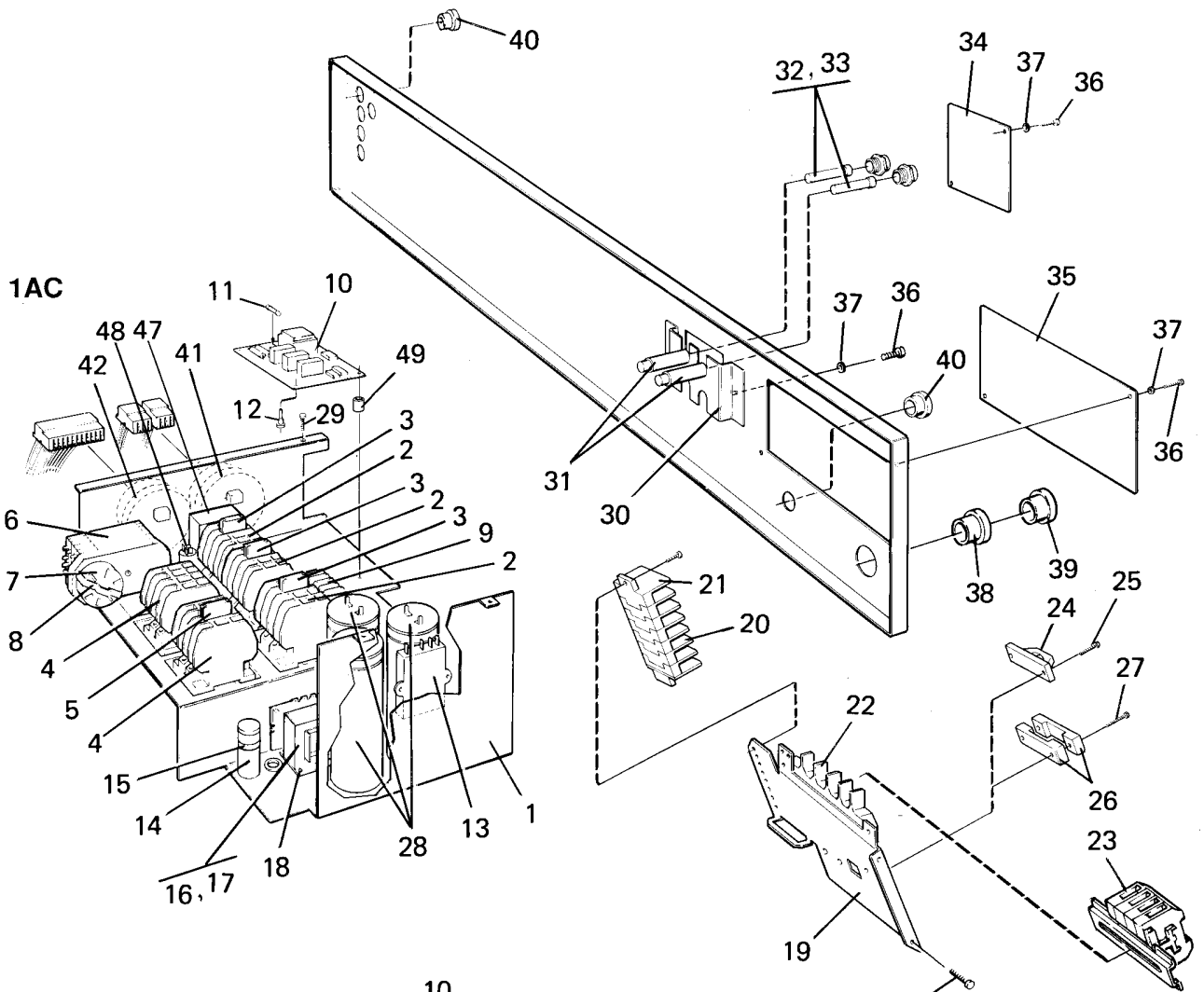
FL185

Electric components

Composants électriques

Illustration Issue Month Year
Schéma Issue Month Year
100997 8 4 2000

| Item Article | Qua Qua | Art.No Réf. article | Description | Description | Info Info | Notes Remarques |
|-----------------|------------|------------------------|-------------------|-----------------------|--------------|---------------------------|
| 1 | 1 | 438 0353-01 | Mounting plate | Plaque de montage | 3 | |
| 2 | RQ | 438 9636-02 | Contacteur | Relais | 1,2 | 50Hz, K3-10 K2-12 |
| | RQ | 438 9636-03 | Contacteur | Relais | 1,2 | 60Hz, K3-10 K2-12 |
| | RQ | 767 5103-12 | Contacteur | Relais | 1,2 | 60Hz |
| 3 | RQ | 767 5101-92 | Auxiliary contact | Contact de secours | 1,2 | Green |
| | RQ | 767 5102-92 | Auxiliary contact | Contact de secours | 1,2 | Red HN-01 |
| | RQ | 767 5802-09 | Auxiliary contact | Contact de secours | 1,2 | Green HA-01 |
| 4 | RQ | 438 9636-02 | Contacteur | Relais | 1,2 | 50Hz, K3-10 K2-12 |
| | RQ | 438 9636-03 | Contacteur | Relais | 1,2 | 60Hz, K3-10 K2-12 |
| 5 | 2 | 471 9672-01 | Auxiliary contact | Contact de secours | 1,2 | |
| 6 | 1 | 471 8954-03 | Reverser | Inverseur | 1,2 | 50Hz |
| | 1 | 471 8954-04 | Reverser | Inverseur | 1,2 | 60Hz |
| 7 | 1 | 471 6661-51 | •Motor | •Moteur | 1,2 | NEW TIMER 230V 60Hz |
| 8 | 1 | 471 6661-53 | •Clamp | •Bride de fixation | 3 | |
| 9 | 1 | 471 9604-05 | Motor cover | Protection du moteur | 1,2 | |
| 10 | 1 | 472 9902-73 | Speed control | Contrôle vitesse | 1,2 | Kit -94/7062 |
| | 1 | 472 9902-75 | Speed control | Contrôle vitesse | 1,2 | Kit 94/7063-95/12624 |
| | 1 | 471 8983-31 | Speed control | Contrôle vitesse | 1,2 | 95/12625- |
| 11 | 1 | 762 8139-91 | Fuse | Porte-fusible | 1,2 | 0,08A |
| 12 | 4 | 471 7958-01 | Support | Support | 3 | |
| 13 | 1 | 472 9902-22 | Relay | Relais | 1,2 | -92/1656 |
| 14 | 1 | 471 9566-05 | Relay | Relais | 1,2 | 230V 92/1657- |
| | 1 | 471 9566-01 | Relay | Relais | 1,2 | 120V 92/1657- |
| 15 | 1 | 762 9112-07 | Strap | Bande | 3 | |
| 16 | 1 | 471 9565-03 | Transformer | Transformateur | 1 | PRIM.200,346,380,400,480V |
| 17 | 1 | 762 8151-91 | •Fuse | •Porte-fusible | 1,2 | 5X20MM, 0,315A |
| 18 | 4 | 471 8342-13 | Screw | Vis | 3 | MRT-TT 4X10 |
| 19 | 1 | 438 0354-01 | Mounting plate | Plaque de montage | 3 | |
| | 1 | 438 0354-02 | Mounting plate | Plaque de montage | 3 | EI. heated |
| 20 | 7 | 471 8760-01 | Block | Cale | 3 | |
| 21 | 1 | 471 8760-02 | End support | Support | 3 | |
| 22 | 1 | 471 8759-01 | Block | Cale | 3 | |
| 23 | 1 | 471 8762-01 | Block | Cale | 3 | 3N AC |
| 24 | 1 | 471 7865-03 | Cable clip | Pièce fixation câbles | 3 | |
| 25 | 2 | 471 8346-06 | Screw | Vis | 3 | 3,5X25 |
| 26 | 1 | 471 7859-11 | Clamp | Attache | 3 | Lower |
| | 1 | 471 7859-16 | Clamp | Attache | 3 | Upper part Upper |
| 27 | 2 | 471 8341-19 | Screw | Vis | 3 | M4X40 |
| 28 | RQ | 471 9525-20 | Capacitor | Condensateur | 1 | 20MF |
| | RQ | 471 9525-21 | Capacitor | Condensateur | 1 | 50MF |
| | RQ | 471 9525-28 | Capacitor | Condensateur | 1 | 160 MF |
| | RQ | 471 9525-23 | Capacitor | Condensateur | 1 | 200MF |
| 29 | 7 | 471 8342-13 | Screw | Vis | 3 | MRT-TT 4X10 |
| 30 | 1 | 438 0355-01 | Mounting plate | Plaque de montage | 3 | |
| 31 | RQ | 471 8756-01 | Fuse holder | Porte-fusible | 1 | 5X20 MM |
| 32 | RQ | 471 8756-51 | Insert | Insertion | 1 | 5X20MM |
| | RQ | 471 8756-52 | Insert | Insertion | 1 | 6,3X32MM,60Hz -96/16104 |
| 33 | RQ | 471 8750-11 | Fuse | Porte-fusible | 1,2 | 1,25A |
| | RQ | 471 9027-85 | Fuse | Porte-fusible | 1,2 | 60Hz -96/16104 |
| 34 | 1 | 438 0358-02 | Cover | Couvercle | 3 | |
| 35 | 1 | 438 0359-01 | Cover | Couvercle | 3 | |
| 36 | 6 | 471 8340-23 | Screw | Vis | 3 | RTS 4,2X13 |
| 37 | 6 | 735 2136-01 | Lock washer | Rondelle d'arrêt | 3 | AZ 4,3 |
| 38 | 1 | 471 8708-01 | Plug | Fiche | 3 | Ø37MM -94/8016 |
| | 1 | 762 1215-10 | Grommet | Oeillet | 3 | Ø48/35mm 94/8017- |
| 39 | 1 | 471 7967-02 | Grommet | Oeillet | 3 | |
| 40 | 6 | 471 7967-01 | Bushing | Douille | 3 | |
| 41 | 1 | 471 8859-51 | Level control | Réglage de niveau | 1,2 | |
| 42 | 1 | 471 8859-06 | Level control | Réglage de niveau | 1,2 | |



| Issue | Month | Year |
|-------|-------|------|
| 06 | 09 | 95 |

FL185

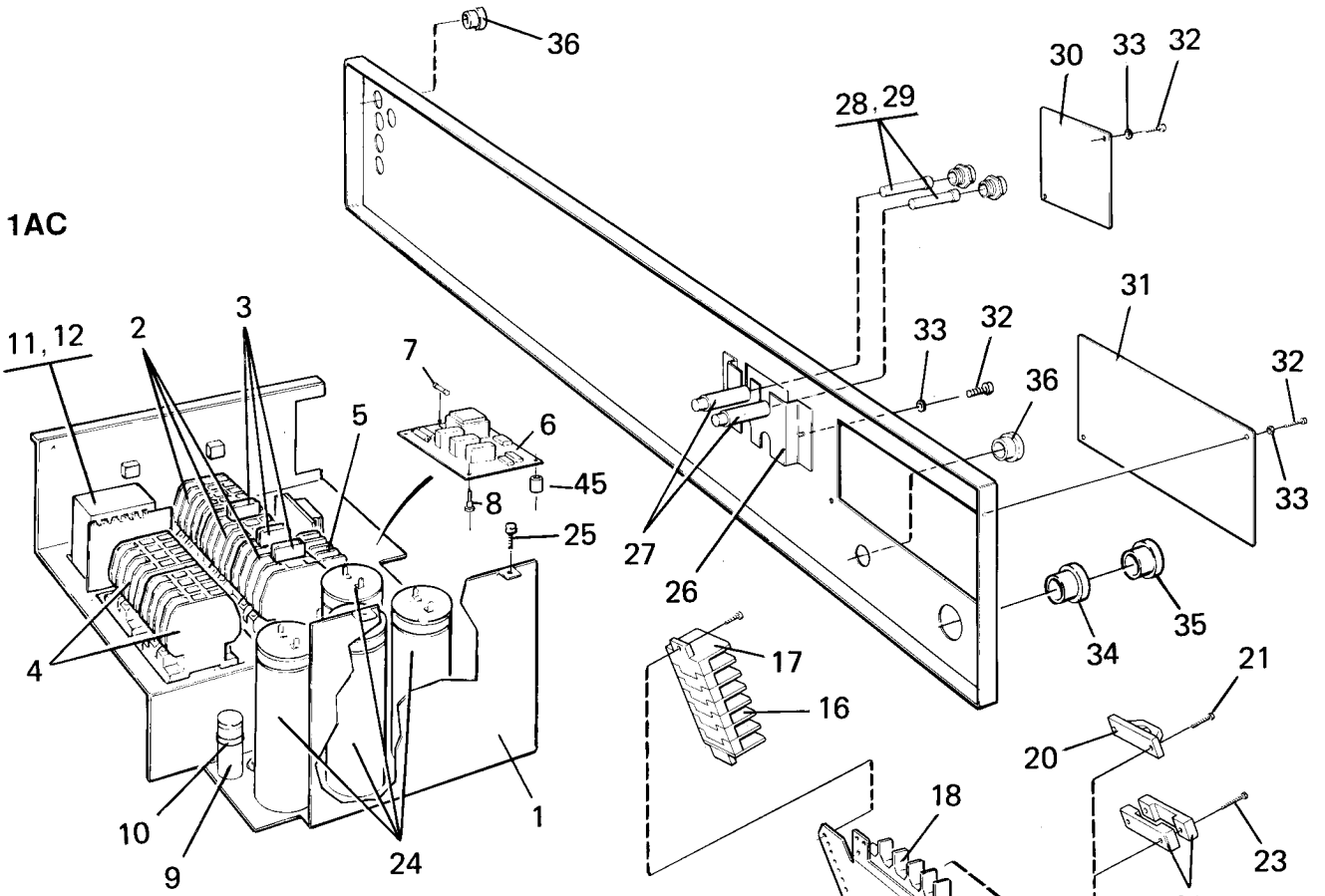
Electric components

Composants électriques

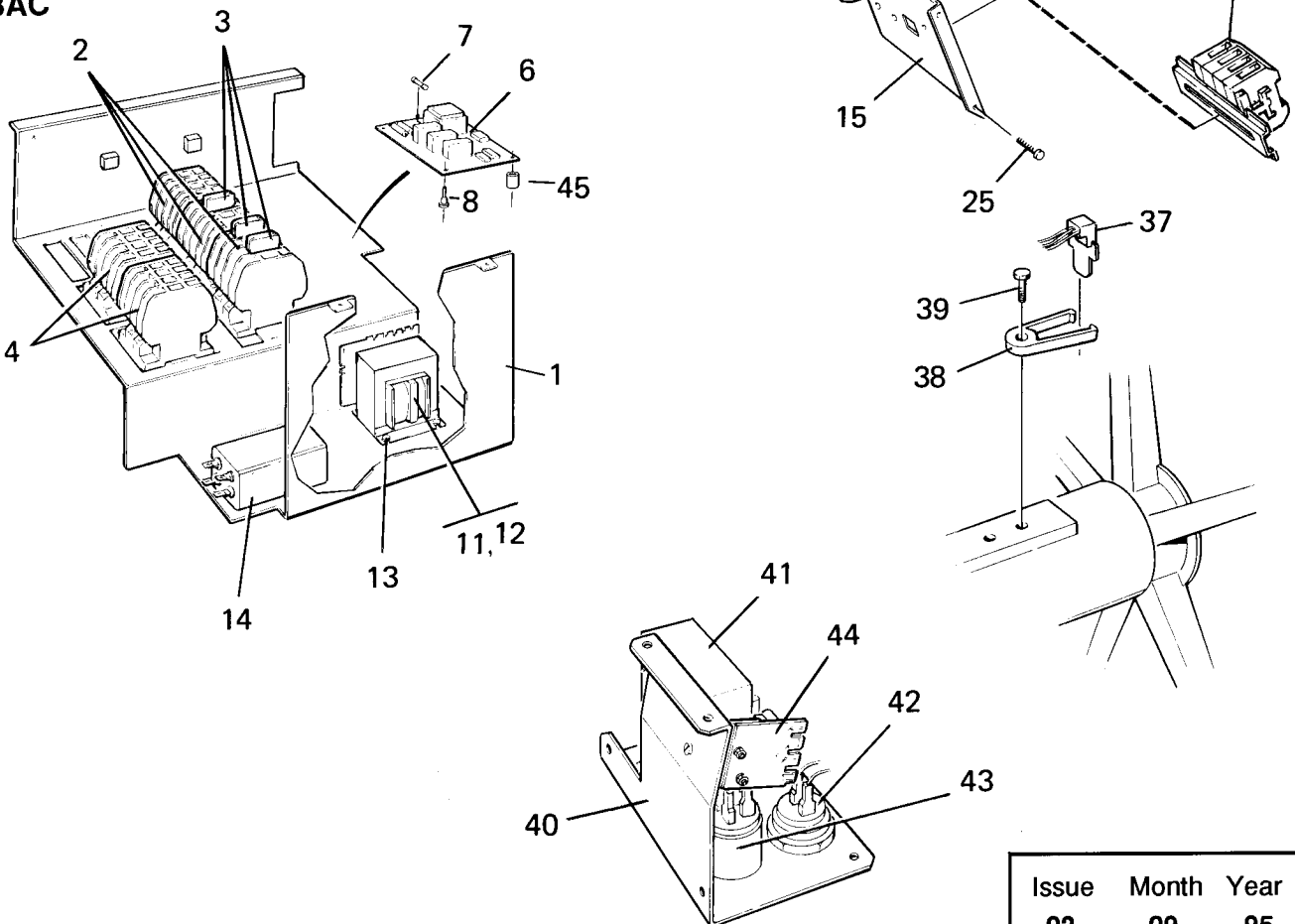
Illustration Issue Month Year
Schéma Issue Month Year
100997 8 4 2000

| Item Article | Qua Qua | Art.No Réf. article | Description | Description | Info Info | Notes Remarques |
|-----------------|------------|------------------------|-------------|------------------|--------------|--------------------|
| 43 | 1 | 471 8985-01 | Sensor | Capteur | 1,2 | |
| 44 | 1 | 438 0363-01 | Bracket | Pièce de retenue | 3 | |
| 45 | 1 | 725 2370-61 | Screw | Vis | 3 | M6SF 6X20 |
| 46 | 1 | 471 9529-05 | LC-filter | Filtre LC | 1 | |
| 47 | 1 | 471 9649-01 | Relay | Relais | 1,2 | 95/11024- |
| 48 | 1 | 471 9649-02 | Socket | Douille | 1 | 95/11024- |
| 49 | 1 | 471 8526-01 | Spacer | Entretoise | 3 | |

1AC



3AC



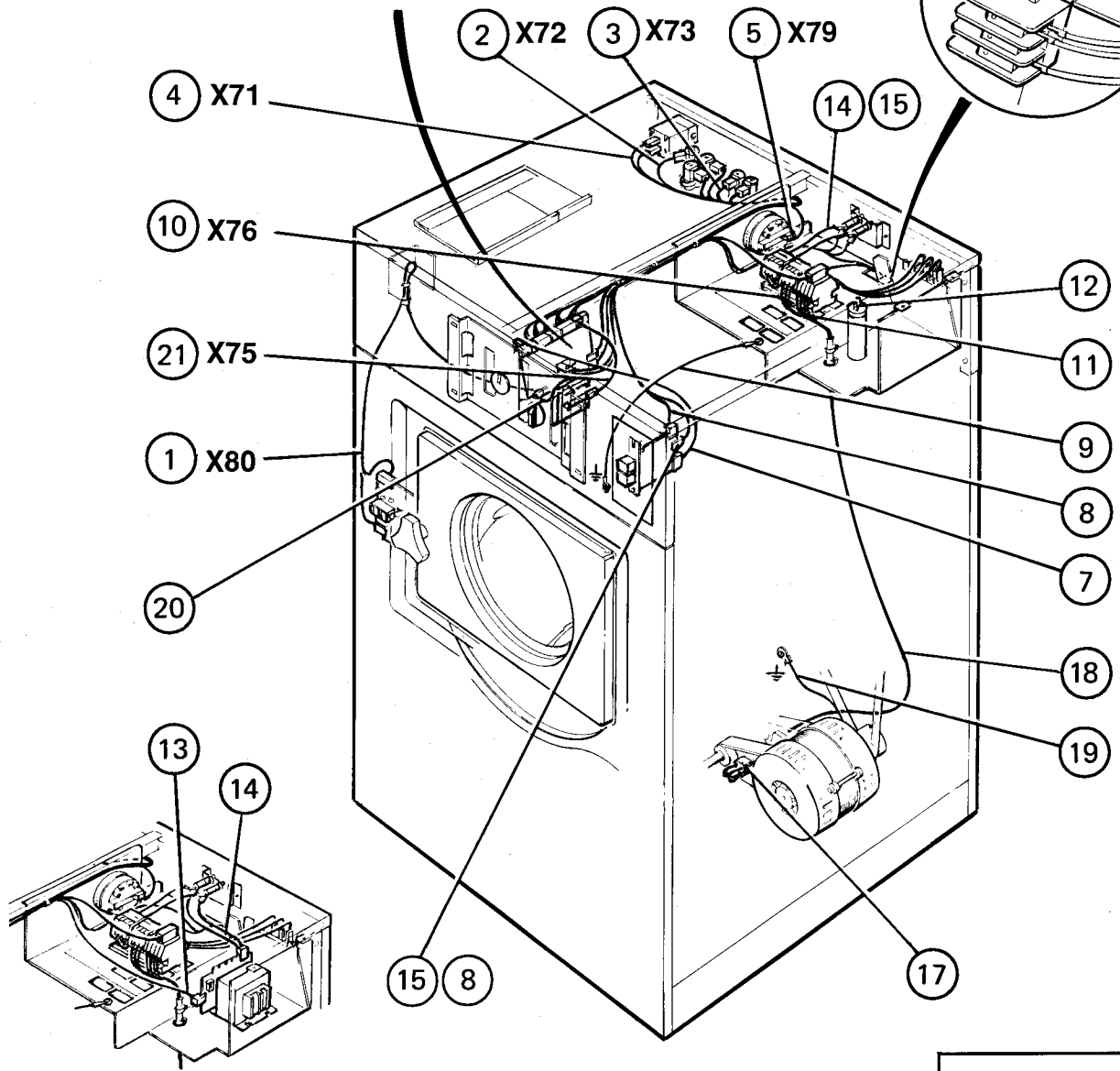
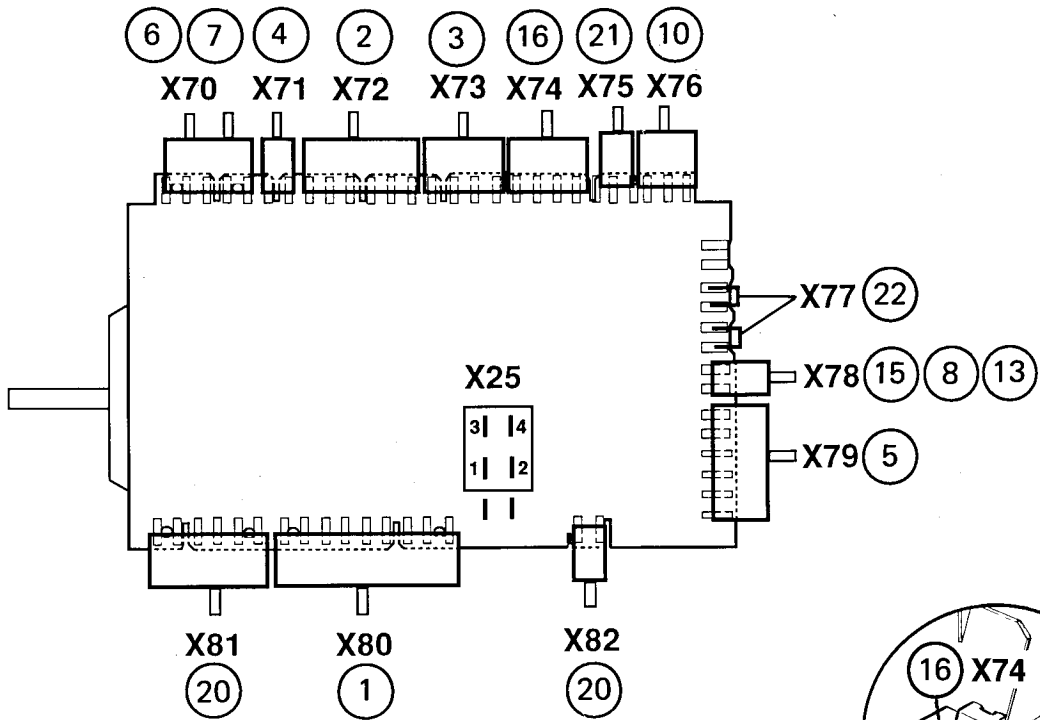
FL185 HI-TEK

Electric components

Composants électriques

Illustration Issue Month Year
Schéma Issue Month Year
101336 5 8 1996

| Item Article | Qua Qua | Art.No Réf. article | Description | Description | Info Info | Notes Remarques |
|-----------------|------------|------------------------|-----------------------|-----------------------|--------------|---------------------------|
| 1 | 1 | 438 0353-01 | Mounting plate | Plaque de montage | 3 | |
| 2 | RQ | 438 9636-02 | Contacteur | Relais | 1,2 | 50Hz, K3-10 K2-12 |
| | RQ | 438 9636-03 | Contacteur | Relais | 1,2 | 60Hz, K3-10 K2-12 |
| | RQ | 767 5103-12 | Contacteur | Relais | 1,2 | 60Hz |
| 3 | RQ | 767 5101-92 | Auxiliary contact | Contact de secours | 1,2 | Green |
| | RQ | 767 5102-92 | Auxiliary contact | Contact de secours | 1,2 | Red HN-01 |
| | RQ | 767 5802-09 | Auxiliary contact | Contact de secours | 1,2 | Green HA-01 |
| 4 | RQ | 438 9636-02 | Contacteur | Relais | 1,2 | 50Hz, K3-10 K2-12 |
| | RQ | 438 9636-03 | Contacteur | Relais | 1,2 | 60Hz, K3-10 K2-12 |
| 5 | 1 | 471 9604-05 | Motor cover | Protection du moteur | 1,2 | |
| 6 | 1 | 472 9902-72 | Speed control | Contrôle vitesse | 1,2 | Kit -95/12624 |
| | 1 | 471 8983-31 | Speed control | Contrôle vitesse | 1,2 | 95/12625- |
| 7 | 1 | 762 8139-91 | •Fuse | •Porte-fusible | 1,2 | 0,08A |
| 8 | 4 | 471 7958-01 | Support | Support | 3 | |
| 9 | 1 | 471 9566-05 | Relay | Relais | 1,2 | 230V |
| | 1 | 471 9566-01 | Relay | Relais | 1,2 | 120V |
| 10 | 1 | 762 9112-07 | Strap | Bande | 3 | |
| 11 | 1 | 471 9565-03 | Transformer | Transformateur | 1 | PRIM.200,346,380,400,480V |
| 12 | 1 | 762 8151-91 | •Fuse | •Porte-fusible | 1,2 | 5X20MM, 0,315A |
| 13 | 4 | 471 8342-13 | Screw | Vis | 3 | MRT-TT 4X10 |
| 14 | 1 | 471 9529-05 | LC-filter | Filtre LC | 1 | |
| 15 | 1 | 438 0354-01 | Mounting plate | Plaque de montage | 3 | |
| | 1 | 438 0354-02 | Mounting plate | Plaque de montage | 3 | El. heated |
| 16 | 7 | 471 8760-01 | Block | Cale | 3 | |
| 17 | 1 | 471 8760-02 | End support | Support | 3 | |
| 18 | 1 | 471 8759-01 | Block | Cale | 3 | |
| 19 | 1 | 471 8762-01 | Block | Cale | 3 | 3N AC |
| 20 | 1 | 471 7865-03 | Cable clip | Pièce fixation câbles | 3 | |
| 21 | 2 | 471 8346-06 | Screw | Vis | 3 | 3,5X25 |
| 22 | 1 | 471 7859-11 | Clamp | Attache | 3 | Lower |
| | 1 | 471 7859-16 | Clamp | Attache | 3 | Upper part Upper |
| 23 | 2 | 471 8341-19 | Screw | Vis | 3 | M4X40 |
| 24 | RQ | 471 9525-20 | Capacitor | Condensateur | 1 | 20MF |
| | RQ | 471 9525-21 | Capacitor | Condensateur | 1 | 50MF |
| | RQ | 471 9525-23 | Capacitor | Condensateur | 1 | 200MF |
| 25 | 7 | 471 8342-13 | Screw | Vis | 3 | MRT-TT 4X10 |
| 26 | 1 | 438 0355-01 | Mounting plate | Plaque de montage | 3 | |
| 27 | RQ | 471 8756-01 | Fuse holder | Porte-fusible | 1 | 5X20 MM |
| 28 | RQ | 471 8756-51 | Insert | Insertion | 1 | 5X20MM |
| | RQ | 471 8756-52 | Insert | Insertion | 1 | 6,3X32MM,60Hz -96/16104 |
| 29 | RQ | 471 8750-11 | Fuse | Porte-fusible | 1,2 | 1,25A |
| | RQ | 471 9027-85 | Fuse | Porte-fusible | 1,2 | 60Hz -96/16104 |
| 30 | 1 | 438 0358-02 | Cover | Couvercle | 3 | |
| 31 | 1 | 438 0359-01 | Cover | Couvercle | 3 | |
| 32 | 6 | 471 8340-23 | Screw | Vis | 3 | RTS 4,2X13 |
| 33 | 6 | 735 2136-01 | Lock washer | Rondelle d'arrêt | 3 | AZ 4,3 |
| 34 | 1 | 471 8708-01 | Plug | Fiche | 3 | Ø37MM -94/8016 |
| | 1 | 762 1215-10 | Grommet | Oeillet | 3 | Ø48/35mm 94/8017- |
| 35 | 1 | 471 7967-01 | Bushing | Douille | 3 | |
| 36 | 6 | 471 7967-01 | Bushing | Douille | 3 | |
| 37 | 1 | 471 8985-01 | Sensor | Capteur | 1,2 | |
| 38 | 1 | 438 0363-01 | Bracket | Pièce de retenue | 3 | |
| 39 | 1 | 725 2370-61 | Screw | Vis | 3 | M6SF 6X20 |
| 40 | 1 | 438 0425-01 | Plate | Plaque | 3 | |
| 41 | 1 | 471 9550-15 | Transformer | Transformateur | 1 | 208/220/240/480V |
| 42 | 1 | 471 9653-03 | Buzzer | Console | 1 | |
| 43 | 1 | 471 9529-10 | Mains filter | Filtre de filet | 1 | 208-240V |
| 44 | 1 | 471 7473-21 | Printed circuit board | Circuit imprimé | 1,2 | 94/9532- |
| 45 | 1 | 471 8626-01 | Spacer | Entretoise | 3 | |



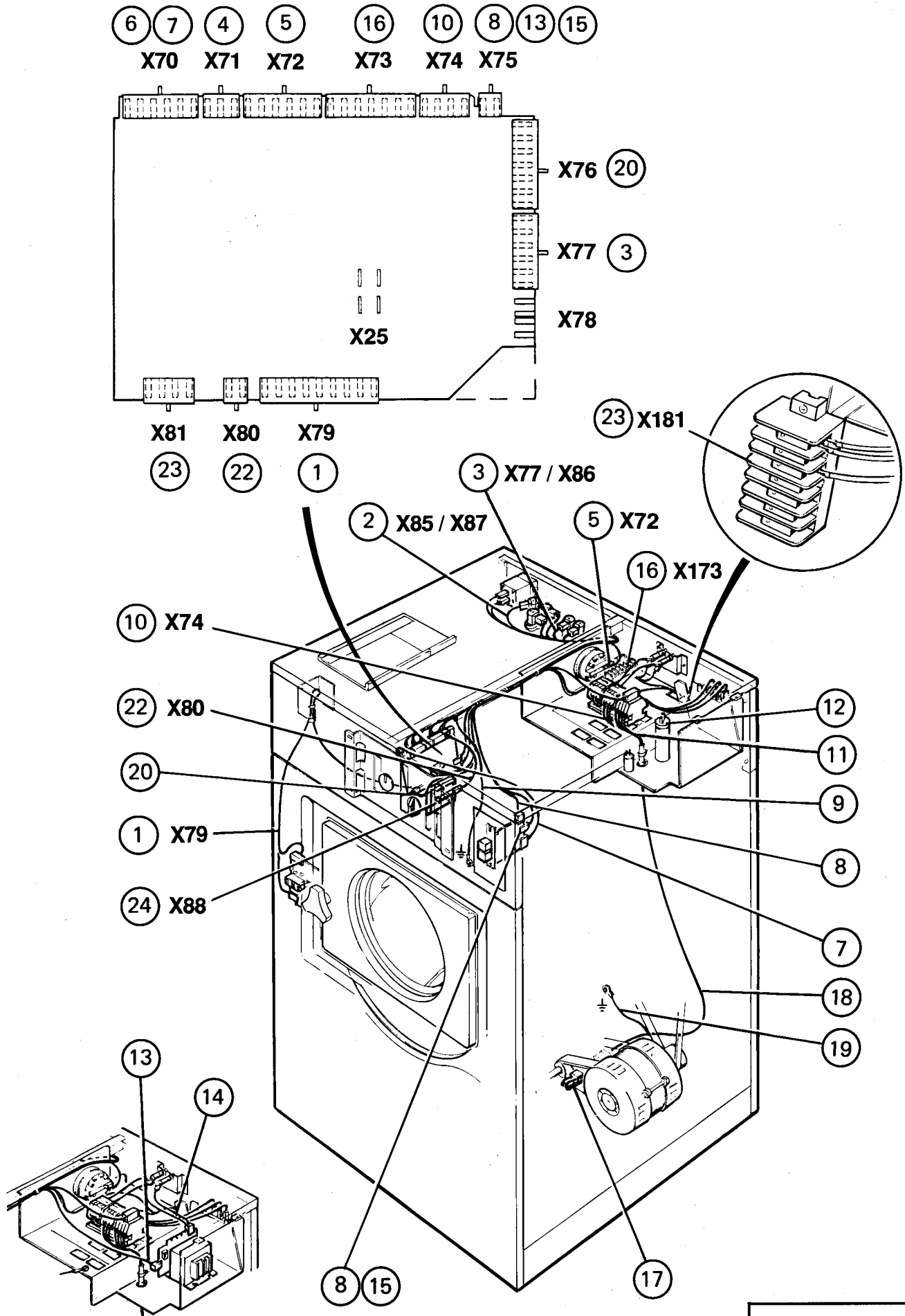
W185 -96/14109

Cables P03

Câblage P03

Illustration Issue Month Year
Schéma Issue Month Year
101146 3 7 1996

| Item Article | Qua Qua | Art.No Réf. article | Description | Description | Info Info | Notes Remarques |
|-----------------|------------|------------------------|-------------|---------------|--------------|-----------------------------------|
| 1 | 1 | 438 3010-10 | Cables | Câble | 3 | DOOR LOCK X80 -93/5065 |
| | 1 | 438 3089-03 | Cables | Câble | 3 | DOOR LOCK X80 93/5066- |
| 2 | 1 | 438 3019-50 | Cables | Câble | 3 | COLD WATER,X72 |
| 3 | 1 | 438 3019-51 | Cables | Câble | 3 | HOT WATER,X73 |
| 4 | 1 | 438 3019-29 | Cables | Câble | 3 | DRAIN VALVE,X71 WATER CONTR. |
| | 1 | 438 3019-68 | Cables | Câble | 3 | DRAIN VALVE,X71 EL. CONTR. |
| 5 | 1 | 438 3086-18 | Cables | Câble | 3 | LEVEL CONTROL,X79 |
| 6 | 1 | 438 3019-35 | Cables | Câble | 3 | COIN-METER GREENWALD, X70 |
| 7 | 1 | 438 3030-43 | Cables | Câble | 3 | MANUAL START,X70 |
| 8 | 1 | 438 3031-35 | Cables | Câble | 3 | MANUAL START,X78 |
| 9 | 1 | 438 3014-03 | Cables | Câble | 3 | GROUND FOR GREENWALD |
| 10 | 1 | 438 3014-03 | Cables | Câble | 3 | MOTOR-RELAY,X76 |
| 11 | 1 | 438 3014-53 | Cables | Câble | 3 | MOTOR-RELAY |
| 12 | 1 | 438 3010-13 | Cables | Câble | 3 | EXTRA CAPACITOR |
| 13 | 1 | 438 3082-12 | Cables | Câble | 3 | 2-POLE TRAF0 IN,X80 TRAF0, X78 |
| 14 | 1 | 438 3009-11 | Cables | Câble | 3 | 2-POLE TRAF0 TRAF0 |
| 15 | 1 | 438 3019-19 | Cables | Câble | 3 | 2-POLE IN,X80 X78 |
| 16 | 1 | 438 3019-04 | Cables | Câble | 3 | OPTIONS,X74 |
| 17 | 1 | 471 8748-01 | Cables | Câble | 3 | 230V PLUG MOTOR |
| | 1 | 471 8748-02 | Cables | Câble | 3 | 400V PLUG MOTOR |
| 18 | 1 | 438 3014-21 | Cables | Câble | 3 | MOTOR START RELAY, -93/4779 |
| | 1 | 438 3014-22 | Cables | Câble | 3 | MOTOR START RELAY, 93/4780- |
| | 1 | 438 3014-23 | Cables | Câble | 3 | MOTOR 3AC |
| 19 | 1 | 438 3019-23 | Cables | Câble | 3 | GROUND MOTOR-FRAME |
| 20 | 1 | 438 3031-03 | Cables | Câble | 3 | ROTARY SWITCH,X81,82 |
| 21 | 1 | 438 3082-15 | Cable set | Jeu de câbles | 3 | PILOT LAMP,X75 |



| | | |
|-------|-------|------|
| Issue | Month | Year |
| 01 | 06 | 96 |

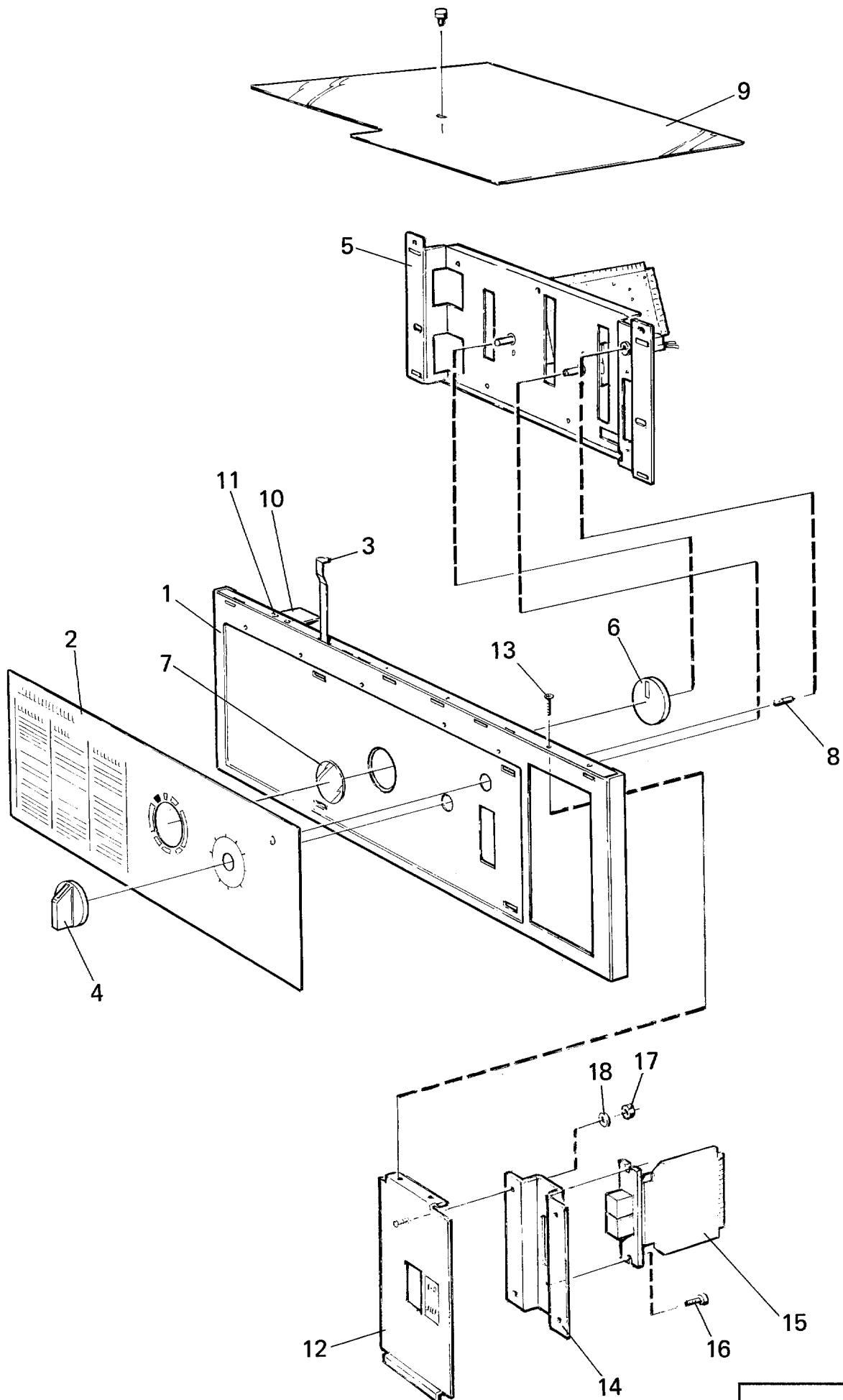
W185 96/14110-

Cables P03

Câblage P03

Illustration Issue Month Year
Schéma Issue Month Year
101409 2 11 1996

| Item Article | Qua Qua | Art.No Réf. article | Description | Description | Info Info | Notes Remarques |
|-----------------|------------|------------------------|-------------|---------------|--------------|---|
| 1 | 1 | 438 3089-03 | Cables | Câble | 3 | DOOR LOCK X79 |
| 2 | 1 | 438 3019-77 | Cable set | Jeu de câbles | 3 | Cold/hot water COLD/HOT WATER,POWDER, X87 |
| | 1 | 438 3019-76 | Cables | Câble | 3 | COLD WATER,LIQUID SUPPLY, X8 |
| 3 | 1 | 438 3086-23 | Cable set | Jeu de câbles | 3 | Hot water HOT WATER, POWDER, X77 |
| | 1 | 438 3019-78 | Cables | Câble | 3 | HOT WATER,LIQUID SUPPLY, X86 |
| 4 | 1 | 438 3019-29 | Cables | Câble | 3 | DRAIN VALVE,X71 WATER CONTR. |
| | 1 | 438 3019-68 | Cables | Câble | 3 | DRAIN VALVE,X71 EL. CONTR. |
| 5 | 1 | 438 3086-06 | Cables | Câble | 3 | LEVEL CONTROL,X72 |
| 6 | 1 | 438 3019-35 | Cables | Câble | 3 | COIN-METER GREENWALD, X70 |
| 7 | 1 | 438 3030-43 | Cables | Câble | 3 | MANUAL START,X70 |
| 8 | 1 | 438 3031-35 | Cables | Câble | 3 | MANUAL START,X75 |
| 9 | 1 | 438 3014-03 | Cables | Câble | 3 | GROUND FOR GREENWALD |
| 10 | 1 | 438 3014-17 | Cables | Câble | 3 | MOTOR-RELAY,X74 |
| 11 | 1 | 438 3014-53 | Cables | Câble | 3 | MOTOR-RELAY |
| 12 | 1 | 438 3010-13 | Cables | Câble | 3 | EXTRA CAPACITOR |
| 13 | 1 | 438 3082-12 | Cables | Câble | 3 | 2-POLE TRAF0 IN,X80 TRAF0, X75 |
| 14 | 1 | 438 3009-11 | Cables | Câble | 3 | 2-POLE TRAF0 TRAF0 |
| 15 | 1 | 438 3019-19 | Cables | Câble | 3 | 2-POLE IN,X80 X75 |
| 16 | 1 | 438 3019-73 | Cables | Câble | 3 | OPTIONS,X73 |
| 17 | 1 | 471 8748-01 | Cables | Câble | 3 | 230V PLUG MOTOR |
| | 1 | 471 8748-02 | Cables | Câble | 3 | 400V PLUG MOTOR |
| 18 | 1 | 438 3014-22 | Cables | Câble | 3 | MOTOR START RELAY |
| | 1 | 438 3014-23 | Cables | Câble | 3 | MOTOR 3AC |
| 19 | 1 | 438 3019-23 | Cables | Câble | 3 | GROUND MOTOR-FRAME |
| 20 | 1 | 438 3087-10 | Cable set | Jeu de câbles | 3 | ROTARY SWITCH,X76 |
| 21 | | | | | | Not used |
| 22 | 1 | 438 3082-15 | Cable set | Jeu de câbles | 3 | PILOT LAMP,X80 |
| 23 | 1 | 438 3019-74 | Cables | Câble | 3 | CONNECTION LIQUID SUPPLY, X8 |
| 24 | 1 | 438 3082-72 | Cables | Câble | 3 | ROTARY SWITCH, X88 |



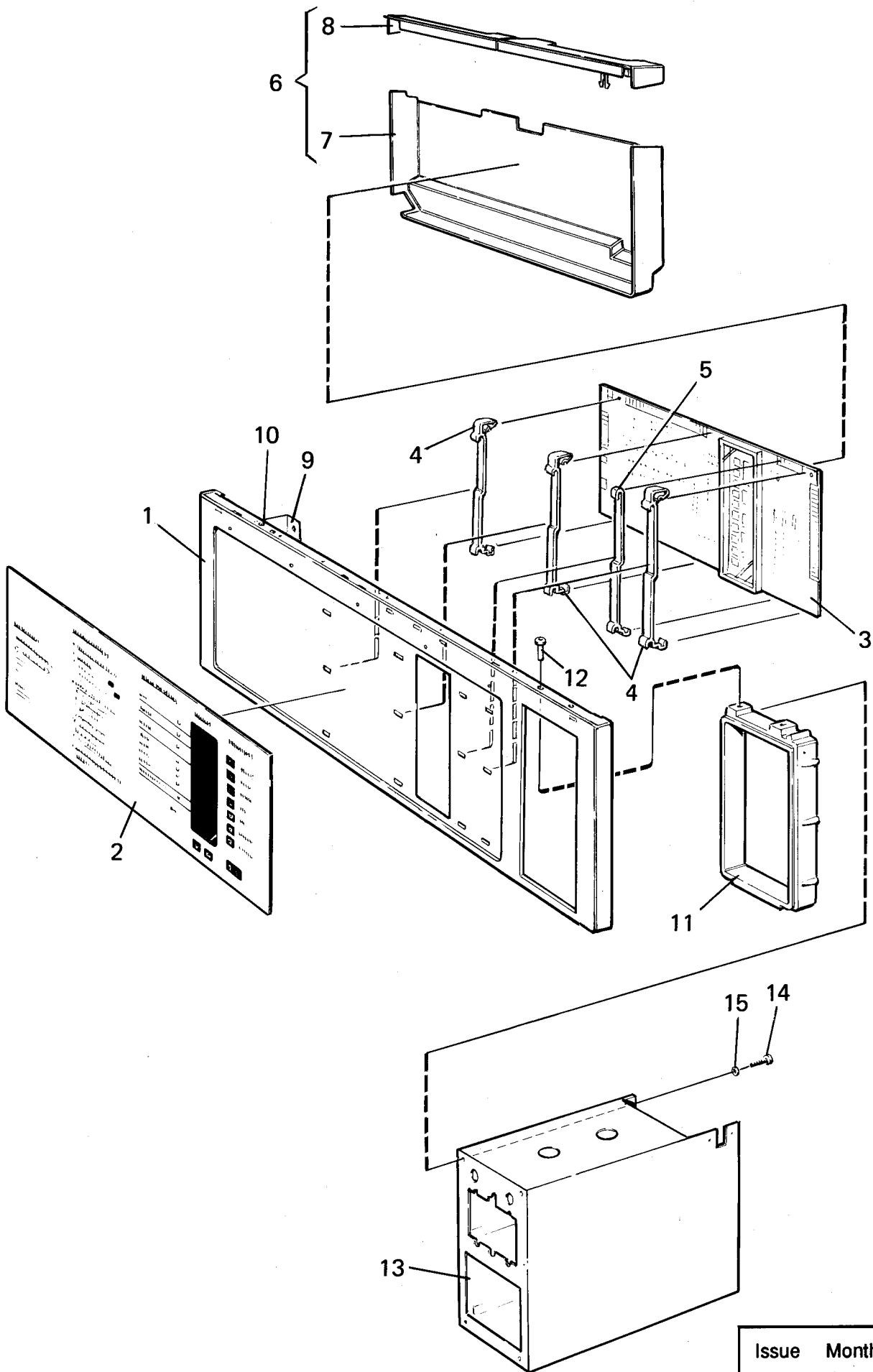
W185

Control panel

Pignon arrière avec tambour intérieur

Illustration Issue Month Year
Schéma Issue Month Year
100848 7 10 1997

| Item Article | Qua Qua | Art.No Réf. article | Description | Description | Info Info | Notes Remarques |
|-----------------|------------|------------------------|----------------|-------------------|--------------|--------------------------|
| 1 | 1 | 438 0006-72 | Panel | Tableau | 3 | Black |
| 2 | 1 | 438 2901-01 | Panel sign | Voyant du tableau | | English |
| 3 | 2 | 438 0039-01 | Lock plate | Gâche de serrure | 3 | |
| 4 | | 438 0076-01 | Knob | Bouton | 1,2 | Nyborg Complete Complete |
| 5 | 1 | | Mounting plate | Plaque de montage | 3 | See group US8343 |
| 6 | 1 | 472 6082-01 | Pointer | Indicateur | 3 | |
| 7 | 1 | 438 0040-01 | Safety glass | Verre de sécurité | 1,2 | |
| 8 | 1 | 471 9652-01 | Pilot lamp | Lampe témoin | 1,2 | 110V |
| | 1 | 471 9652-02 | Pilot lamp | Lampe témoin | 1,2 | 230V |
| 9 | 1 | 438 0138-01 | Cover | Couvercle | 3 | |
| 10 | 1 | 438 0233-01 | Support | Support | 3 | |
| 11 | 1 | 722 7843-02 | Pop rivet | Rivet | 3 | |
| 12 | 1 | 438 0164-04 | Cover | Couvercle | 3 | |
| 13 | 2 | 722 7840-19 | Pop rivet | Rivet | 3 | |
| 14 | 1 | 438 0164-04 | Cover | Couvercle | 3 | |
| 15 | 1 | 471 9648-01 | Switch | Commutateur | 1,2 | |
| 16 | 2 | 725 2289-61 | Screw | Vis | 3 | M4X10 |
| 17 | 5 | 732 2112-01 | Locking nut | Contre-écrou | 3 | M4 |
| 18 | 4 | 735 2136-01 | Lock washer | Rondelle d'arrêt | 3 | AZ 4,3 |



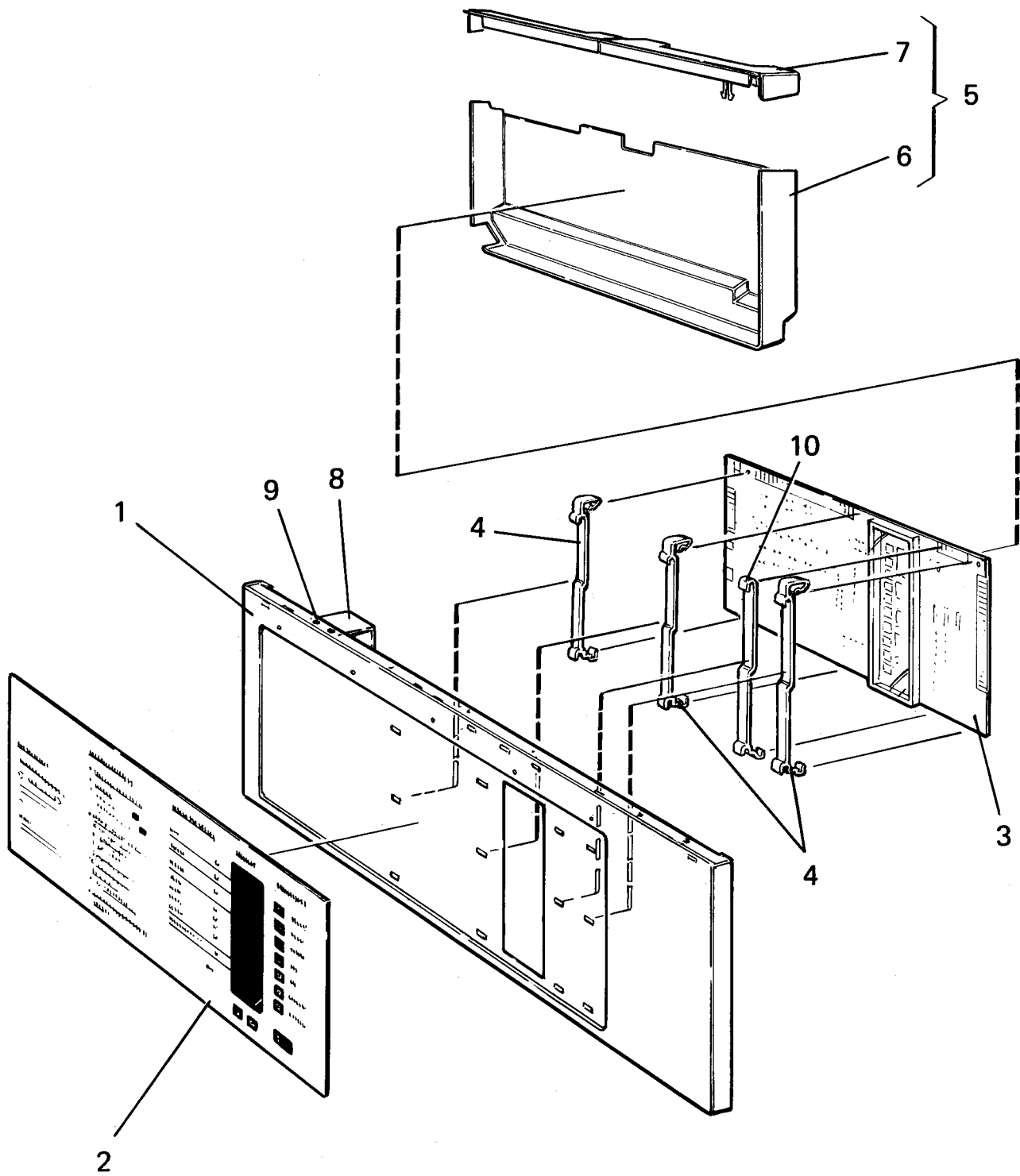
W185 EMERALD

Control panel

Pignon arrière avec tambour intérieur

Illustration Issue Month Year
Schéma Issue Month Year
101192 4 5 1996

| Item Article | Qua Qua | Art.No Réf. article | Description | Description | Info Info | Notes Remarques |
|-----------------|------------|------------------------|-----------------------|---------------------|--------------|--------------------|
| 1 | 1 | 438 0006-77 | Control panel | Pupitre de commande | 3 | Black |
| 2 | 1 | | Panel sign | Voyant du tableau | 3 | English |
| 3 | 1 | 471 8964-07 | Printed circuit board | Circuit imprimé | 1,2 | |
| 4 | 3 | 472 8969-03 | Bracket | Pièce de retenue | 1 | |
| 5 | 1 | 472 8969-02 | Bracket | Pièce de retenue | 1 | |
| 6 | 1 | 472 9902-64 | Heat shield | Bouclier thermique | 3 | Complete -95/23971 |
| | 1 | 438 4079-10 | Heat shield | Bouclier thermique | 3 | Complete 95/23972- |
| 7 | 1 | 438 4079-01 | •Heat shield | •Bouclier thermique | 3 | |
| 8 | 1 | 438 4079-02 | •Heat shield | •Bouclier thermique | 3 | |
| 9 | 1 | 438 0152-01 | Support | Support | 3 | |
| 10 | 2 | 722 7843-02 | Pop rivet | Rivet | 3 | |
| 11 | 1 | 471 4705-01 | Frame | Châssis | 3 | |
| 12 | 2 | 722 7840-19 | Pop rivet | Rivet | 3 | |
| 13 | 1 | 438 4088-01 | Coin box | Boite à jetons | 3 | |
| 14 | 4 | 724 1325-61 | Screw | Vis | 3 | MRX-TT 5X10 |
| 15 | 4 | 735 2146-01 | Washer | Rondelle | 3 | M5 |



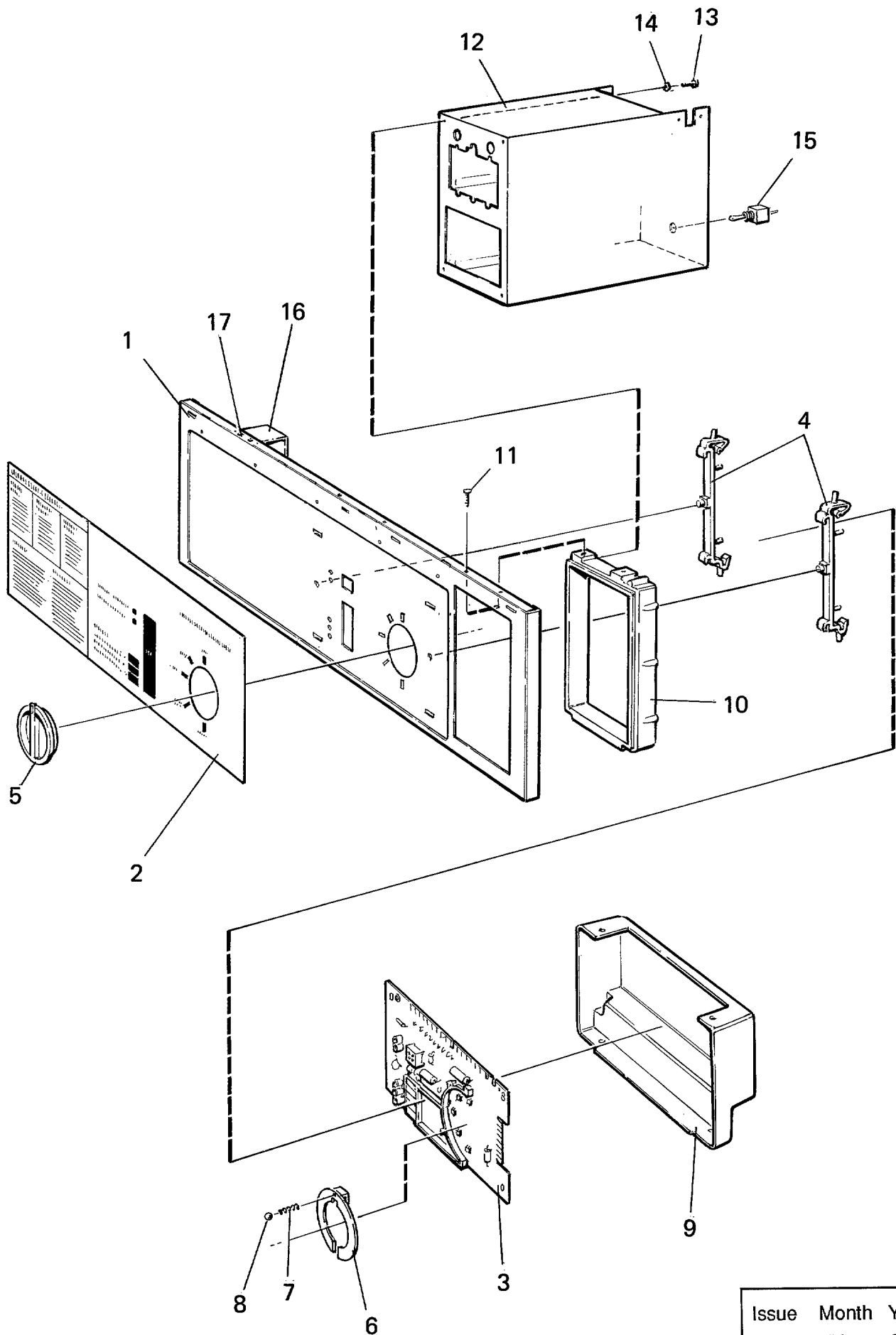
SE185

Control panel

Pignon arrière avec tambour intérieur

| | | | |
|---------------|----------|----------|-------------|
| Illustration | Issue | Month | Year |
| Schéma | Issue | Month | Year |
| 100697 | 3 | 5 | 1996 |

| Item Article | Qua Qua | Art.No Réf. article | Description | Description | Info Info | Notes Remarques |
|-----------------|------------|------------------------|-----------------------|---------------------|--------------|--------------------|
| 1 | 1 | 438 0006-78 | Control panel | Pupitre de commande | 3 | Black |
| 2 | | | Panel sign | Voyant du tableau | | |
| 3 | 1 | 471 8964-07 | Printed circuit board | Circuit imprimé | 1,2 | |
| 4 | 3 | 472 8969-03 | Bracket | Pièce de retenue | 3 | |
| 5 | 1 | 472 9902-64 | Heat shield | Bouclier thermique | 3 | Complete -95/23971 |
| | 1 | 438 4079-10 | Heat shield | Bouclier thermique | 3 | Complete 95/23972- |
| 6 | 1 | 438 4079-01 | •Heat shield | •Bouclier thermique | 3 | |
| 7 | 1 | 438 4079-02 | •Heat shield | •Bouclier thermique | 3 | |
| 8 | 1 | 438 0233-01 | Support | Support | 3 | |
| 9 | 1 | 722 7843-02 | Pop rivet | Rivet | 3 | |
| 10 | 1 | 472 8969-02 | Bracket | Pièce de retenue | 3 | |



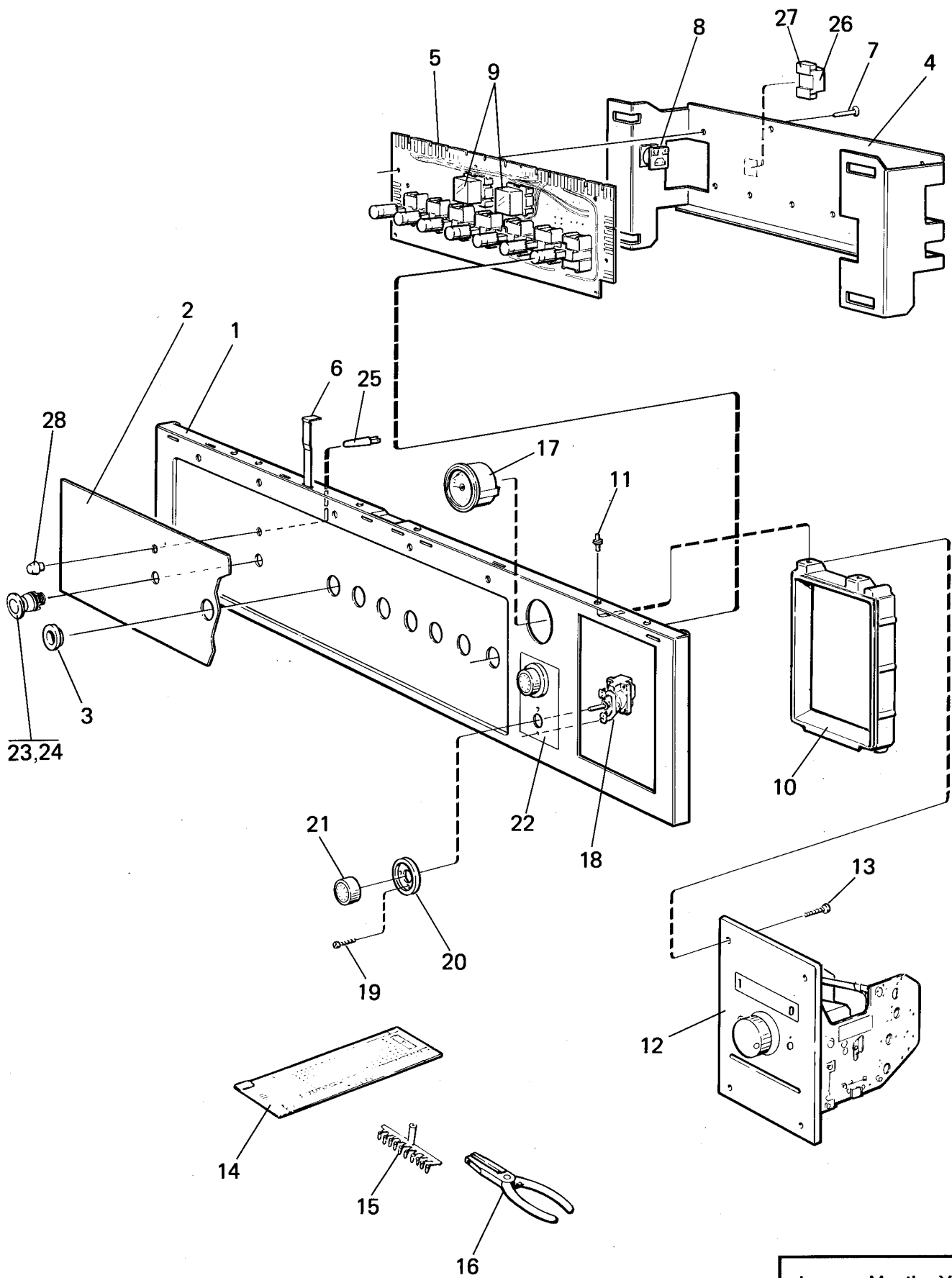
W185 HI-TEK

Control panel

Pignon arrière avec tambour intérieur

Illustration Issue Month Year
Schéma Issue Month Year
100696 4 10 1996

| Item Article | Qua Qua | Art.No Réf. article | Description | Description | Info Info | Notes Remarques |
|-----------------|------------|------------------------|---------------------|----------------------|--------------|--------------------|
| 1 | 1 | 438 0006-79 | Control panel | Pupitre de contrôle | 3 | |
| 2 | 1 | 472 5750-02 | Panel sign | Voyant du tableau | 1,2 | English |
| 3 | | | | | | |
| 4 | 2 | 438 0072-01 | Bracket | Pièce de retenue | 3 | |
| 5 | 1 | 471 7954-01 | Knob | Bouton | 1,2 | |
| 6 | 1 | 471 7953-01 | Locking ring | Jonc de verrouillage | 3 | |
| 7 | 1 | 471 7803-13 | Pressure spring | Ressort de pression | 3 | |
| 8 | 1 | 471 7403-01 | Ball | Bille | 3 | |
| 9 | 1 | 438 0071-01 | Door locking device | Serrure de porte | 3 | |
| 10 | 1 | 471 4705-01 | Frame | Châssis | 3 | |
| 11 | 2 | 722 7840-19 | Pop rivet | Rivet | 3 | |
| 12 | 1 | 438 4088-01 | Coin box | Boite à jetons | 3 | |
| 13 | 4 | 471 8342-23 | Screw | Vis | 3 | MRT-TT 5X10 |
| 14 | 4 | 735 2146-01 | Washer | Rondelle | 3 | M5 |
| 15 | 1 | 471 9629-02 | Switch | Commutateur | 1,2 | |
| 16 | 1 | 438 0233-01 | Support | Support | 3 | |
| 17 | 2 | 722 7843-02 | Pop rivet | Rivet | 3 | |



100980

| Issue | Month | Year |
|-------|-------|------|
| 03 | 06 | 96 |

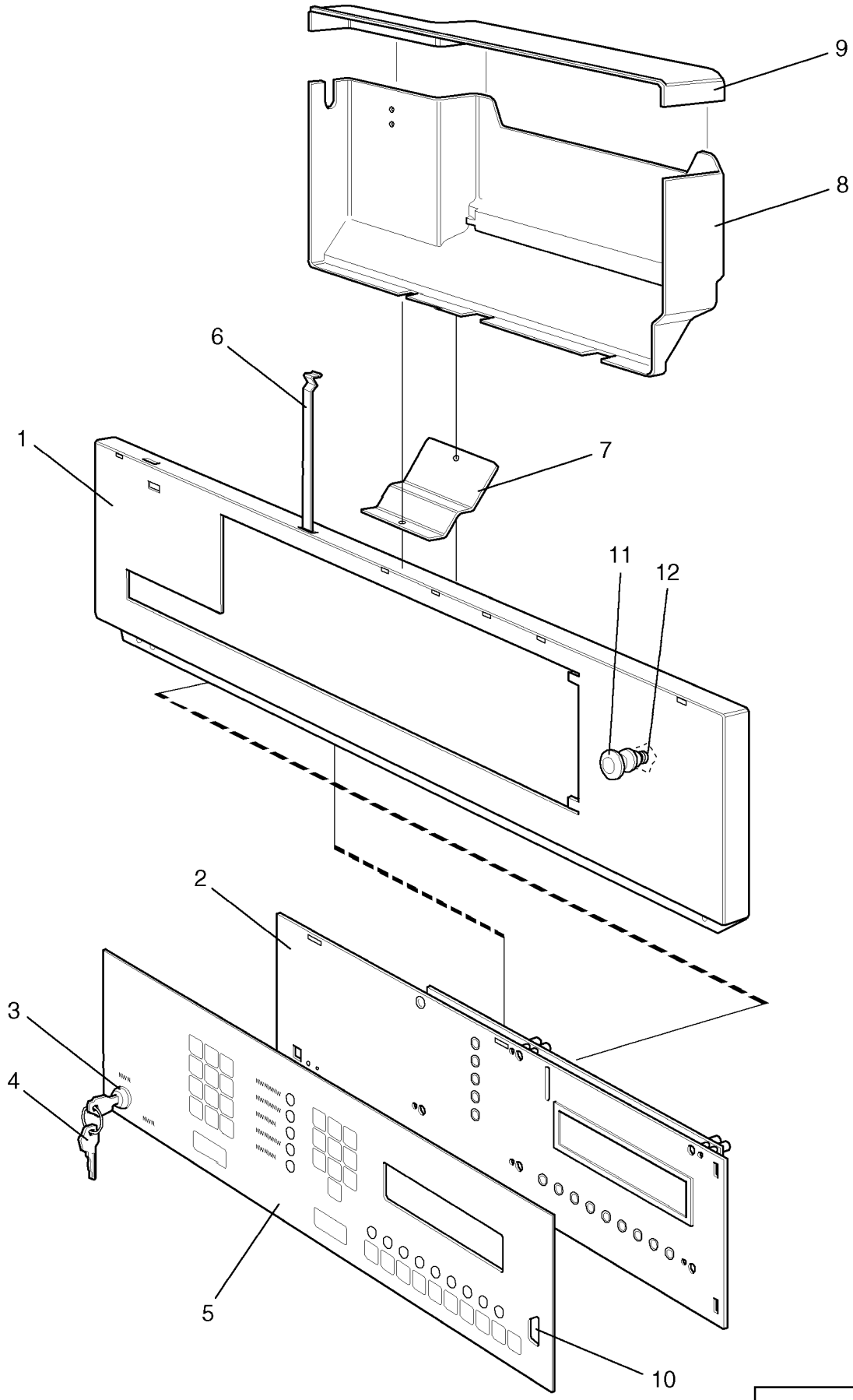
FL185

Control panel

Pignon arrière avec tambour intérieur

Illustration Issue Month Year
Schéma Issue Month Year
100980 9 7 1997

| Item Article | Qua Qua | Art.No Réf. article | Description | Description | Info Info | Notes Remarques |
|-----------------|------------|------------------------|-----------------------|--------------------------|--------------|----------------------|
| 1 | 1 | 438 0006-76 | Control panel | Pupitre de commande | 3 | Black |
| 2 | | | Panel sign | Voyant du tableau | | |
| 3 | 7 | 471 7966-01 | Grommet | Oeillet | 3 | |
| 4 | 1 | 438 0293-01 | Bracket | Pupitre | 3 | |
| 5 | 1 | 438 3075-01 | Printed circuit board | Carte de circuit imprimé | 1,2 | -95/11023 |
| | 1 | 438 3075-04 | Printed circuit board | Carte de circuit imprimé | 1,2 | 95/11024- |
| 6 | 2 | 438 0039-01 | Lock plate | Gâche de serrure | 3 | |
| 7 | 8 | 471 7958-01 | Support | Support | 3 | |
| 8 | 1 | 471 9651-50 | Buzzer | Console | 1 | 208-240V |
| 9 | 2 | 471 9649-01 | Relay | Relais | 1,2 | |
| 10 | 1 | 471 4705-02 | Frame | Châssis | 3 | |
| 11 | 2 | 722 7843-02 | Pop rivet | Rivet | 3 | |
| 12 | 1 | | | | 1,2 | See group US8337 |
| 13 | 4 | 471 8342-25 | Screw | Vis | 3 | 5X16 |
| 14 | 1 | 471 8955-01 | Program card | Carte programme | 1,2 | 80 |
| | 1 | 471 9219-16 | Program card | Carte programme | 1,2 | 120 |
| 15 | 1 | 471 6654-10 | Pin | Goupille | 1,2 | SET OF 10 PCS |
| 16 | 1 | 471 8961-01 | Pliers | Pince | 1,2 | |
| 17 | 1 | 471 8810-01 | Thermometer | Thermomètre | 1,2 | |
| 18 | | | | | | Not used |
| 19 | | | | | | Not used |
| 20 | | | | | | Not used |
| 21 | | | | | | Not used |
| 22 | | | | | | Not used |
| 23 | | | | | | Not used |
| 24 | | | | | | Not used |
| 25 | 1 | 471 9652-02 | Pilot lamp | Lampe témoin | 1,2 | 230V 95/11024- |
| 26 | 1 | 471 9649-01 | Relay | Relais | 1,2 | 94/9532-95/11023 |
| 27 | 1 | 471 9649-02 | Socket | Douille | 1 | 94/9532-95/11023 |
| 28 | 1 | 763 1802-01 | Glass | Verre | 1 | Red 94/9532-95/11023 |
| | 1 | 763 1806-01 | Glass | Verre | 1 | Yellow 95/11024- |



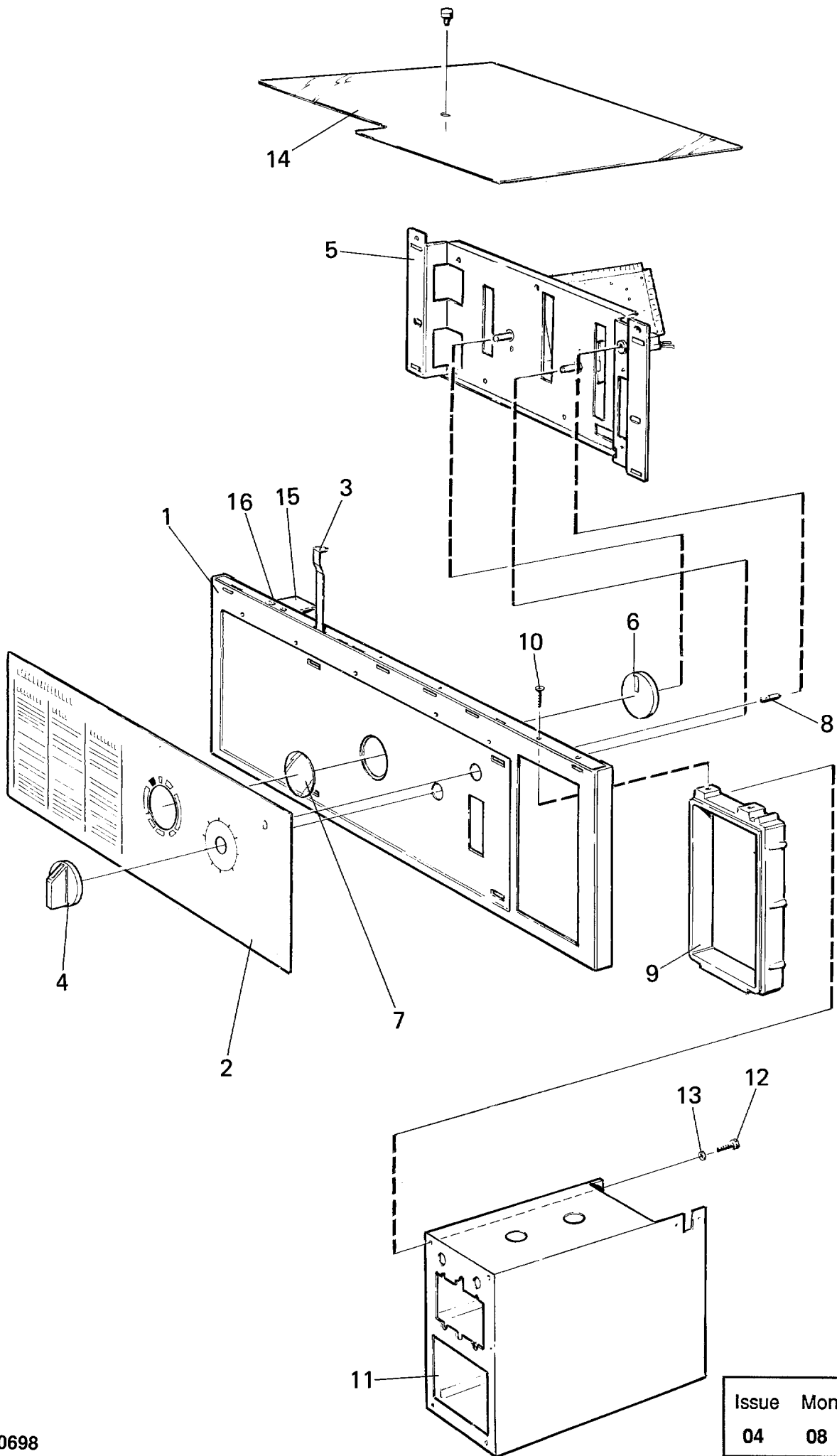
FL185 HI-TEK

Control panel

Pignon arrière avec tambour intérieur

| | | | |
|---------------|----------|----------|-------------|
| Illustration | Issue | Month | Year |
| Schéma | Issue | Month | Year |
| 100981 | 4 | 1 | 1999 |

| Item Article | Qua Qua | Art.No Réf. article | Description | Description | Info Info | Notes Remarques |
|-----------------|------------|------------------------|-----------------------|--------------------------|--------------|--------------------|
| 1 | 1 | 438 0006-74 | Control panel | Pupitre de commande | 3 | Black |
| 2 | 1 | 471 8977-15 | Printed circuit board | Carte de circuit imprimé | 1,2 | Complete -94/9531 |
| 3 | 1 | 471 8977-25 | Printed circuit board | Circuit imprimé | 1,2 | Complete 94/9532- |
| 4 | 1 | 471 4878-84 | Switch | Commutateur | 1,2 | Complete |
| 5 | 1 | 471 8733-10 | Key | Touche | 1,2 | |
| 6 | 2 | 438 0039-01 | Panel sign | Voyant du tableau | | |
| 7 | 1 | 438 0364-01 | Lock plate | Gâche de serrure | 3 | |
| 8 | 1 | 471 4714-06 | Support | Support | 3 | |
| 9 | 1 | 471 4714-06 | Heat shield | Bouclier thermique | 3 | |
| 10 | 1 | 471 4714-05 | Heat shield | Bouclier thermique | 3 | |
| | | | Memory cartridge | Cassette de mémoire | | See group US8342 |



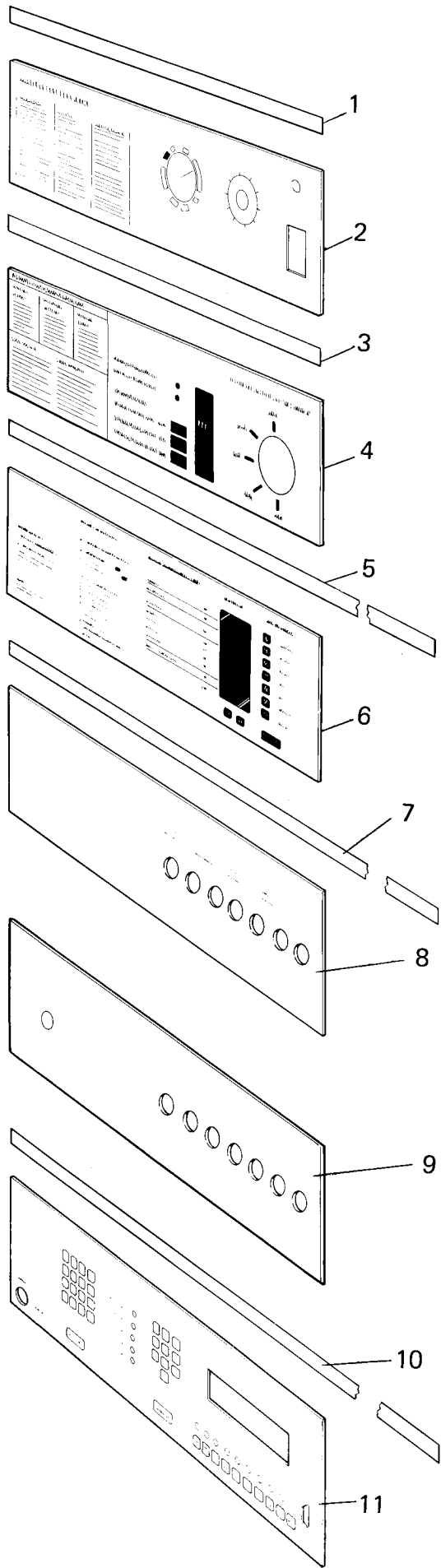
W185

Control panel

Pignon arrière avec tambour intérieur

| | | | |
|---------------|----------|-----------|-------------|
| Illustration | Issue | Month | Year |
| Schéma | Issue | Month | Year |
| 100698 | 8 | 10 | 1997 |

| Item Article | Qua Qua | Art.No Réf. article | Description | Description | Info Info | Notes Remarques |
|-----------------|------------|------------------------|----------------|-------------------|--------------|--------------------|
| 1 | 1 | 438 0006-72 | Panel | Tableau | 3 | Black |
| 2 | | | Panel sign | Voyant du tableau | | |
| 3 | 2 | 438 0039-01 | Lock plate | Gâche de serrure | 3 | |
| 4 | 1 | 438 0076-01 | Knob | Bouton | 1,2 | Nyborg Complete |
| 5 | 1 | | Mounting plate | Plaque de montage | 3 | See group US8343 |
| 6 | 1 | 472 6082-01 | Pointer | Indicateur | 3 | |
| 7 | 1 | 438 0040-01 | Safety glass | Verre de sécurité | 3 | |
| 8 | 1 | 471 9652-02 | Pilot lamp | Lampe témoin | 1,2 | 230V |
| 9 | 1 | 471 4705-02 | Frame | Châssis | 3 | |
| 10 | 2 | 722 7843-02 | Pop rivet | Rivet | 3 | |
| 11 | 1 | 438 4088-01 | Coin box | Boite à jetons | 3 | |
| 12 | 4 | 471 8342-23 | Screw | Vis | 3 | MRT-TT 5X10 |
| 13 | 4 | 735 2146-01 | Washer | Rondelle | 3 | M5 |
| 14 | 1 | 438 0138-01 | Cover | Couvercle | 3 | |
| 15 | 1 | 438 0233-01 | Support | Support | 3 | |
| 16 | 2 | 722 7843-02 | Pop rivet | Rivet | 3 | |



101416

| | | |
|-------|-------|------|
| Issue | Month | Year |
| 03 | 07 | 96 |

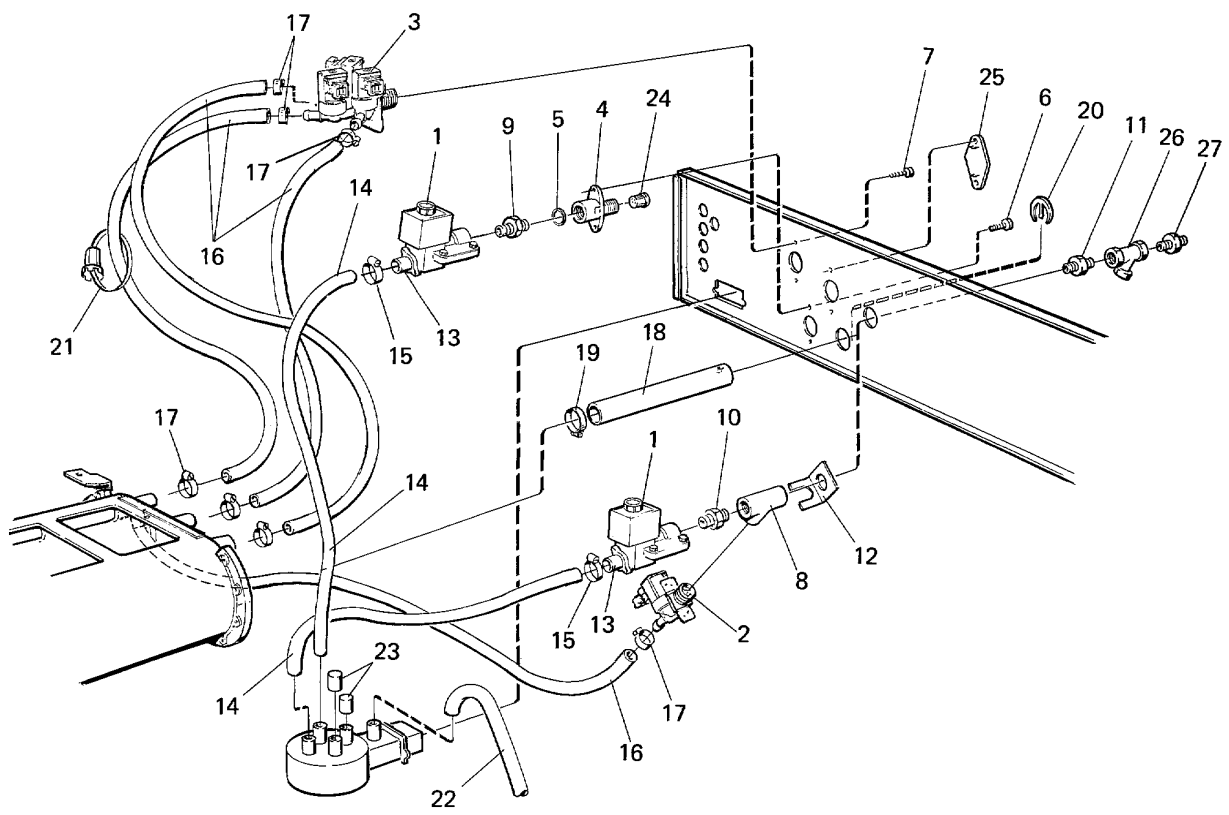
W185,W185 EMERALD,W185 HI-TEK,SE185,FL185,FL185 HI-TEK

Type plates and panel plates

Plaquettes de type et de pupitre

Illustration Issue Month Year
Schéma Issue Month Year
101416 11 9 1996

| Item Article | Qua Qua | Art.No Réf. article | Description | Description | Info Info | Notes Remarques |
|-----------------|------------|------------------------|-------------|-------------------|--------------|---|
| 1 | 1 | 438 2806-01 | Sign | Signe | 3 | GIANT W185 |
| 2 | 1 | 438 2901-01 | Panel sign | Voyant du tableau | 3 | English P03 with coin meter |
| | 1 | 438 2901-02 | Panel sign | Voyant du tableau | 3 | P03 WITHOUT COIN-METER |
| | 1 | 438 2901-15 | Panel sign | Voyant du tableau | 3 | USA P03 WITHOUT COIN-METER With liquid supply |
| | 1 | 438 2904-01 | Panel sign | Voyant du tableau | 3 | English P02 |
| 3 | 1 | 438 2806-02 | Sign | Signe | 3 | W185 HI-TEK |
| 4 | 1 | 472 5750-02 | Panel sign | Voyant du tableau | 3 | English WITHOUT COIN-METER |
| | 1 | 472 5750-01 | Panel sign | Voyant du tableau | 3 | WITH COIN-METER English |
| 5 | 1 | 438 2806-12 | Sign | Signe | 3 | WASCOMAT SELECTA S28/185 |
| | 1 | 438 2806-20 | Sign | Signe | 3 | W185 EMERALD SERIE |
| 6 | 1 | 472 5752-04 | Panel sign | Voyant du tableau | 3 | English |
| | 1 | 472 5752-18 | Panel sign | Voyant du tableau | 3 | USA PE03 EMERALD |
| | 1 | 472 5752-29 | Panel sign | Voyant du tableau | 3 | Spanish with coin meter PE03A |
| 7 | 1 | 438 2806-03 | Sign | Signe | 3 | FL185 |
| 8 | 1 | 438 2906-02 | Panel sign | Voyant du tableau | 3 | English FL |
| 9 | 1 | 438 2912-01 | Panel sign | Voyant du tableau | 1 | English FL, ROTATION GUARD |
| 10 | 1 | 438 2806-11 | Sign | Signe | 3 | FL185 HI-TEK |
| 11 | 1 | 472 5756-01 | Panel sign | Voyant du tableau | 3 | English |
| | 1 | 472 5756-09 | Panel sign | Voyant du tableau | 3 | Spanish |



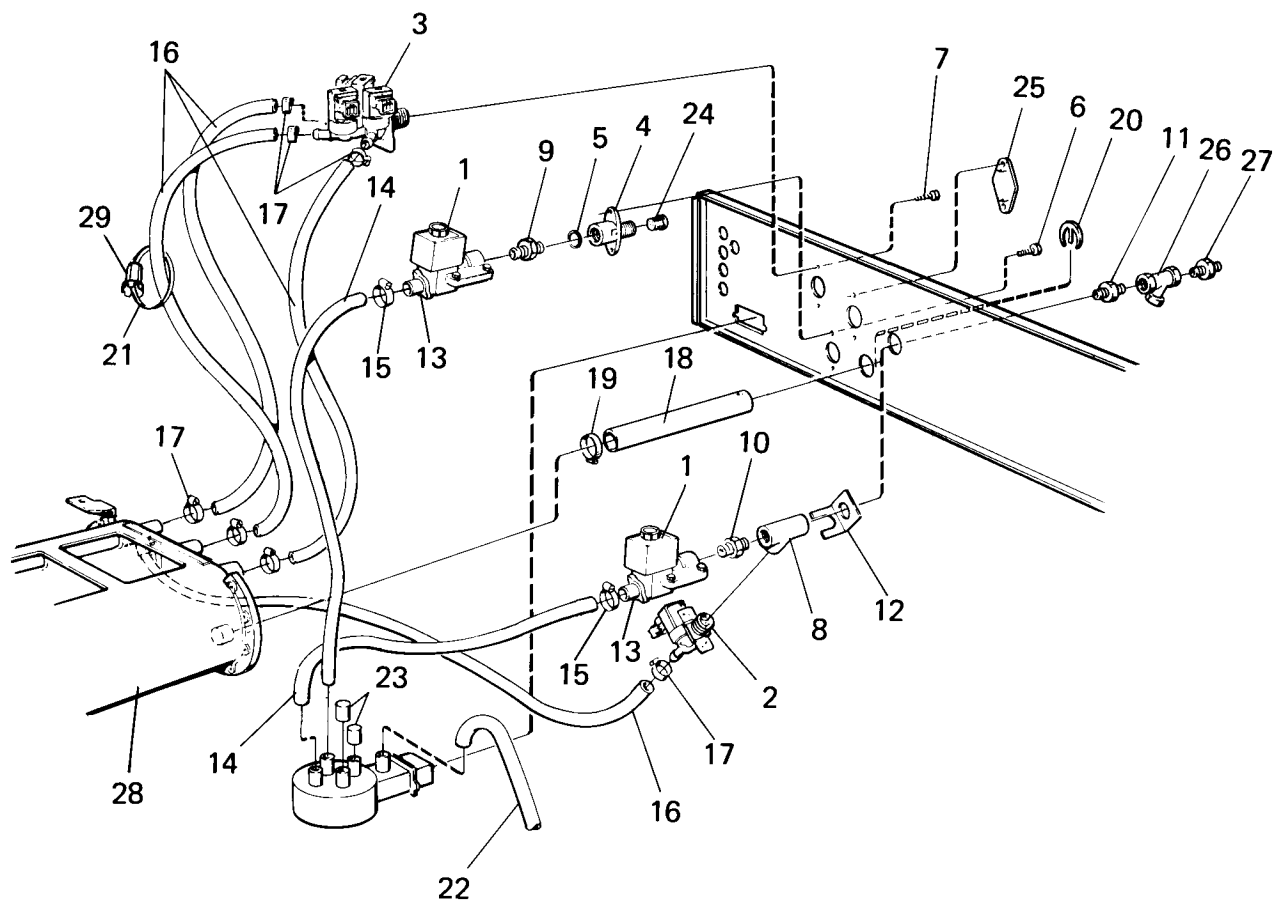
W185 -93/6236

Water alternatives P03

Option eau froide P03

Illustration Issue Month Year
Schéma Issue Month Year
100951 7 3 1995

| Item Article | Qua Qua | Art.No Réf. article | Description | Description | Info Info | Notes Remarques |
|-----------------|------------|------------------------|--------------|---------------------|--------------|--------------------------------------|
| 1 | 2 | 471 8210-63 | Valve | Soupape | 1,2 | 60Hz See group US8125 |
| | 1 | 471 8210-02 | Valve | Soupape | 1,2 | 50Hz See group US8125 |
| 2 | 1 | 471 8234-54 | Valve | Soupape | 1,2 | 208-240V 60Hz 1-way See group US8115 |
| | 1 | 471 8234-52 | Valve | Soupape | 1,2 | 208-240V 60Hz See group US8115 |
| 3 | 1 | 471 8236-53 | Valve | Soupape | 1,2 | 240V 60Hz 3-way See group US8117 |
| | 1 | 471 8236-52 | Valve | Soupape | 1,2 | 208-240V See group US8117 |
| 4 | 1 | 438 0056-04 | Nipple | Raccord | 3 | White, 3/4", USA |
| | 1 | 438 0056-03 | Nipple | Raccord | 3 | Black, 3/4" |
| 5 | 1 | 471 8199-01 | Gasket | Joint | 3 | |
| 6 | 4 | 471 8317-01 | Screw | Vis | 3 | |
| 7 | 4 | 471 8341-11 | Screw | Vis | 3 | MRT 4X6 |
| 8 | 1 | 742 5115-20 | T-pipe | Tube en T | 3 | |
| 9 | 1 | 471 8622-02 | Nipple | Raccord | 3 | 1/2"-3/4" 60Hz |
| 10 | 1 | 471 8622-01 | Nipple | Raccord | 3 | 1/2"-3/4" 50Hz |
| 11 | 1 | 471 8622-05 | Nipple | Raccord | 3 | 3/4" |
| 12 | 1 | 471 2938-01 | Cover | Couvercle | 3 | |
| 13 | 2 | 471 8623-01 | Connection | Embrayage | 3 | R1/2" |
| 14 | RQ | 877 5252-01 | Hose | Flexible | 3 | PER 1M |
| 15 | 2 | 736 2825-51 | Hose clamp | Attache flexible | 3 | Ø32 |
| 16 | RQ | 877 5211-08 | Hose | Flexible | 3 | Per 1 m PER 1M |
| 17 | 8 | 736 2816-51 | Hose clamp | Attache flexible | 3 | Ø13-19 |
| 18 | 1 | 438 0145-12 | Hose | Flexible | 3 | |
| 19 | 1 | 736 2828-51 | Hose clamp | Attache flexible | 3 | |
| 20 | 1 | 438 0127-01 | Lock | Serrure | 3 | |
| 21 | 1 | 471 4792-01 | Tool | Outil | 1,2 | |
| 22 | 1 | 471 2449-72 | Hose | Flexible | 1 | |
| 23 | 2 | 471 8175-01 | Plug | Fiche | 3 | |
| 24 | 1 | 471 8234-94 | Filter | Filtre | 3 | |
| 25 | 1 | 472 6761-01 | Cover washer | Rondelle protection | 3 | |
| 26 | 1 | 744 3115-06 | Filter | Filtre | 3 | R 3/4" |
| 27 | 1 | 471 2094-92 | Nipple | Raccord | 3 | 60Hz |



101188

| Issue | Month | Year |
|-------|-------|------|
| 01 | 05 | 94 |

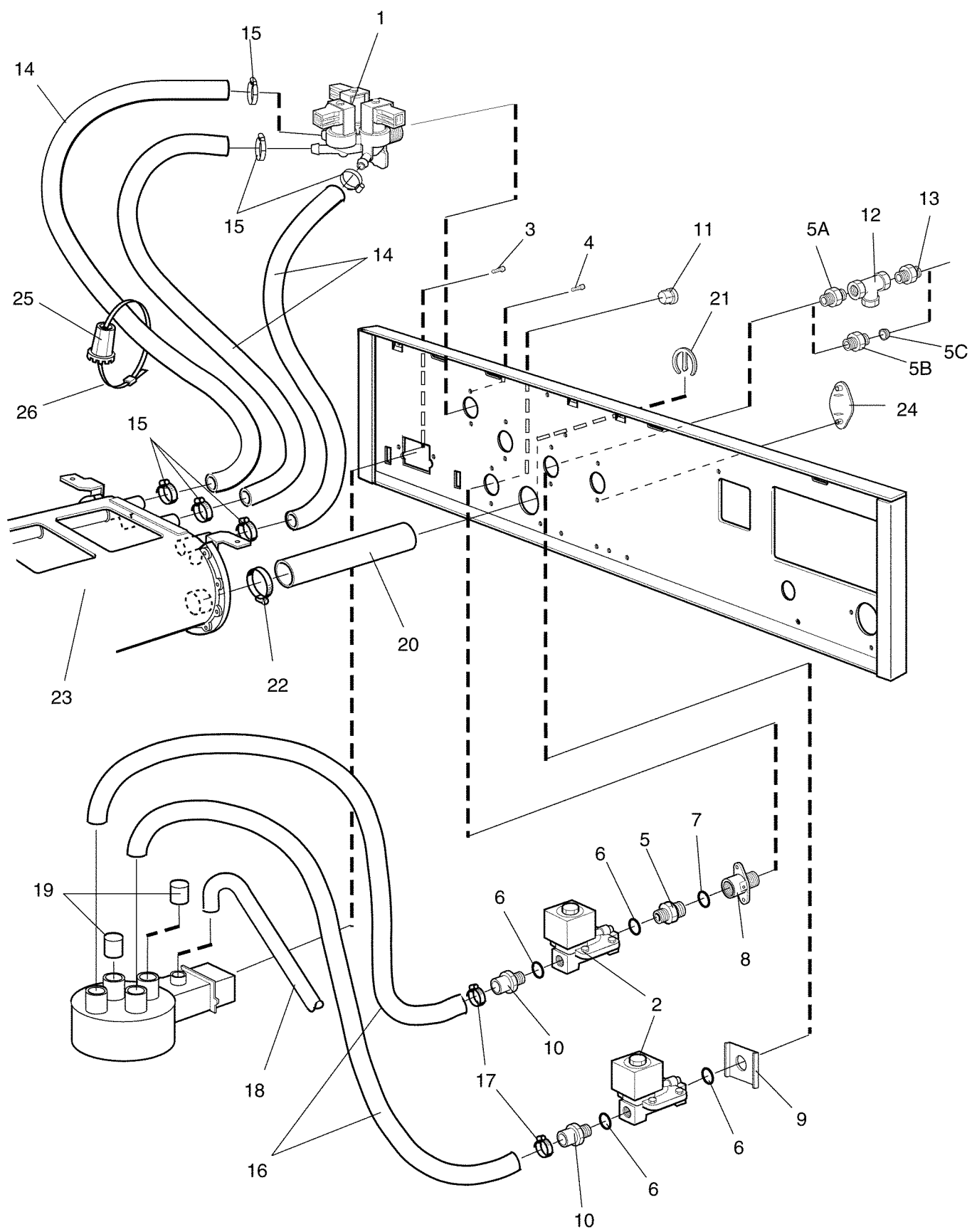
W185 93/6237-96/14109

Water connections

Raccords d'eau

Illustration Issue Month Year
Schéma Issue Month Year
101188 5 8 1996

| Item Article | Qua Qua | Art.No Réf. article | Description | Description | Info Info | Notes Remarques |
|-----------------|------------|------------------------|---------------------|---------------------|--------------|--|
| 1 | 2 | 471 8210-63 | Valve | Soupape | 1,2 | 60Hz See group US8125 |
| | 2 | 471 8210-02 | Valve | Soupape | 1,2 | 50Hz See group US8125 |
| 2 | 1 | 471 8234-54 | Valve | Soupape | 1,2 | 208-240V 60Hz 1-way See group US8115 |
| | 1 | 471 8234-52 | Valve | Soupape | 1,2 | 208-240V 60Hz See group US8115 |
| 3 | 1 | 471 8236-65 | Valve | Soupape | 1,2 | EPDM 2, 240V 60Hz 3-way See group US8117 |
| | 1 | 471 8236-64 | Valve | Soupape | 1,2 | 208-240V See group US8117 |
| 4 | 1 | 438 0056-04 | Nipple | Raccord | 3 | White, 3/4", USA |
| | 1 | 438 0056-03 | Nipple | Raccord | 3 | Black, 3/4" |
| 5 | 1 | 471 8199-01 | Gasket | Joint | 3 | |
| 6 | 4 | 471 8317-01 | Screw | Vis | 3 | |
| 7 | 4 | 471 8341-11 | Screw | Vis | 3 | MRT 4X6 |
| 8 | 1 | 742 5115-20 | T-pipe | Tube en T | 3 | |
| 9 | 1 | 471 8622-02 | Nipple | Raccord | 3 | 1/2"-3/4" 60Hz |
| 10 | 1 | 471 8622-01 | Nipple | Raccord | 3 | 1/2"-3/4" 50Hz |
| 11 | 1 | 471 8622-05 | Nipple | Raccord | 3 | 3/4" |
| 12 | 1 | 471 2938-01 | Cover | Couvercle | 3 | |
| 13 | 2 | 471 8623-01 | Connection | Embrayage | 3 | R1/2" |
| 14 | RQ | 877 5252-01 | Hose | Flexible | 1 | PER 1M |
| 15 | 2 | 736 2825-51 | Hose clamp | Attache flexible | 3 | Ø32 |
| 16 | RQ | 877 5211-08 | Hose | Flexible | 1 | Per 1 m PER 1M |
| 17 | 8 | 736 2816-51 | Hose clamp | Attache flexible | 3 | Ø13-19 |
| 18 | 1 | 438 0145-12 | Hose | Flexible | 3 | |
| 19 | 1 | 736 2828-51 | Hose clamp | Attache flexible | 3 | |
| 20 | 1 | 438 0127-01 | Lock | Serrure | 3 | |
| 21 | 1 | 762 9105-05 | Cable strap | Serre-câble | 3 | |
| 22 | 1 | 471 2449-72 | Hose | Flexible | 1 | |
| 23 | 2 | 471 8175-01 | Plug | Fiche | 3 | |
| 24 | 1 | 471 8234-94 | Filter | Filtre | 3 | |
| 25 | 1 | 472 6761-01 | Cover washer | Rondelle protection | 3 | |
| 26 | 1 | 744 3115-06 | Filter | Filtre | 3 | R 3/4" |
| 27 | 1 | 471 2094-92 | Nipple | Raccord | 3 | 60Hz |
| 28 | 1 | 438 0253-20 | Detergent container | Compartment à savon | 1,2 | See group US8802 |
| 29 | 1 | 471 4792-01 | Tool | Outil | 3 | |



101413

| Issue | Month | Year |
|-------|-------|------|
| 02 | 08 | 97 |

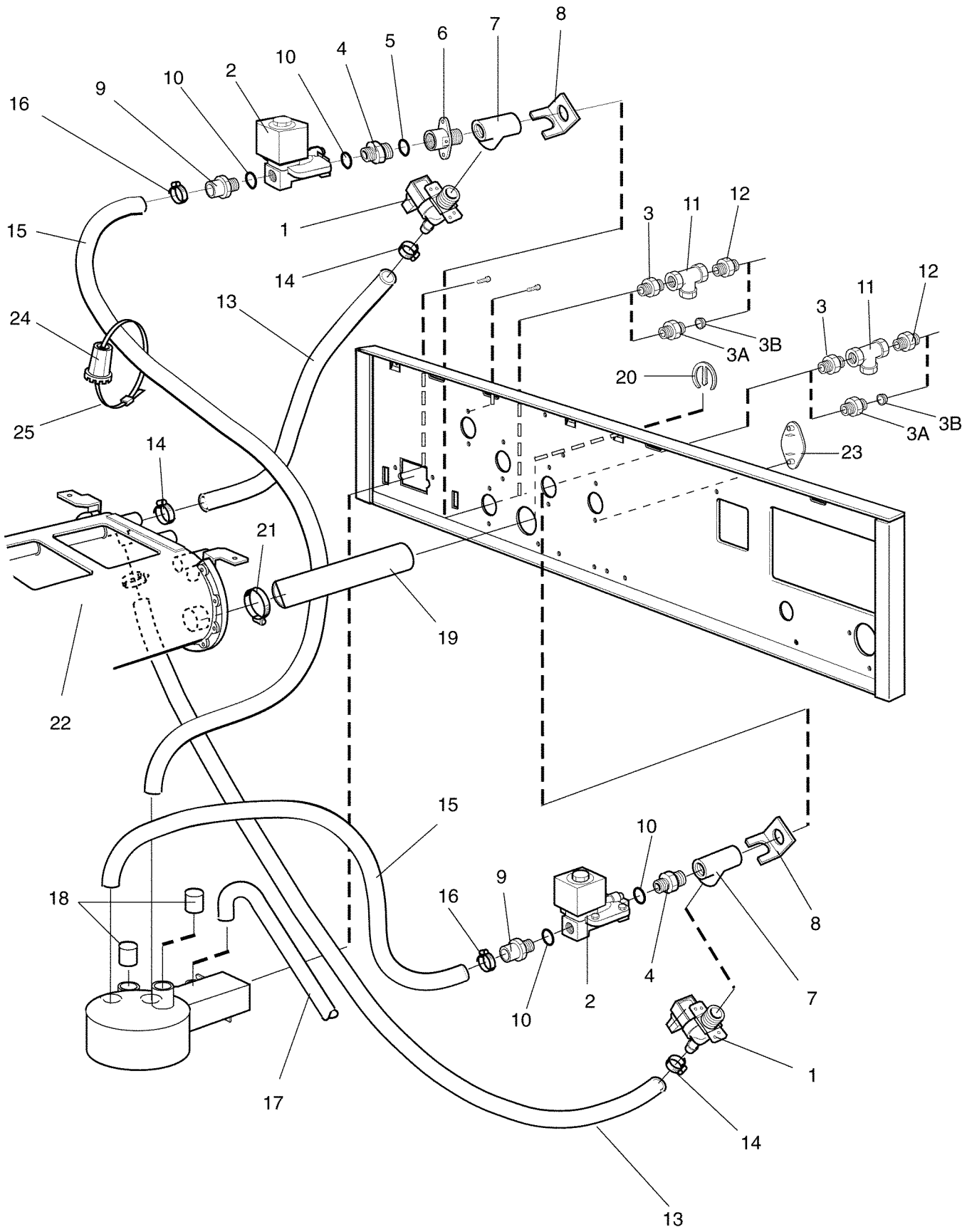
W185 96/14110-

Water connection, detergent container

Raccord eau compartiment à savon

Illustration Issue Month Year
Schéma Issue Month Year
101413 2 9 1997

| Item Article | Qua Qua | Art.No Réf. article | Description | Description | Info Info | Notes Remarques |
|-----------------|------------|------------------------|---------------------|----------------------|--------------|---|
| 1 | 1 | 471 8236-65 | Valve | Soupape | 1,2 | EPDM 2, 240V 60Hz 3-way See group US8117 |
| 2 | 2 | 471 8210-63 | Valve | Soupape | 1,2 | 60Hz See group US8125 |
| 3 | 2 | 471 8317-01 | Screw | Vis | 3 | |
| 4 | 2 | 471 8341-11 | Screw | Vis | 3 | MRT 4X6 |
| 5 | 1 | 471 8622-01 | Nipple | Raccord | 3 | 1/2"-3/4" 50Hz |
| 6 | 4 | 471 8159-06 | Gasket | Joint | 3 | |
| 5A | 1 | 471 8622-01 | Nipple | Raccord | 3 | 1/2"-3/4" 50Hz -97/35926 |
| 5B | 1 | 471 8693-02 | Nipple | Raccord | 3 | 1/2"-3/4" 97/35927- |
| 5C | 1 | 471 8693-21 | •Filter | •Filtre | 1 | 97/35927- |
| 7 | 1 | 471 8199-01 | Gasket | Joint | 3 | |
| 8 | 1 | 438 0056-04 | Nipple | Raccord | 3 | White, 3/4", USA |
| 9 | 1 | 471 2937-01 | Bracket | Support | 3 | |
| 10 | 2 | 471 8623-01 | Connection | Embrayage | 3 | R1/2" |
| 11 | 1 | 471 8693-21 | Filter | Filtre | 3 | 19 |
| 12 | 1 | 744 3115-06 | Filter | Filtre | 3 | R 3/4" -97/35926 |
| 13 | 2 | 471 2094-92 | Nipple | Raccord | 3 | 60Hz |
| 14 | RQ | 877 5211-08 | Hose | Flexible | 1 | Per 1 m PER 1 M |
| 15 | 6 | 736 2816-51 | Hose clamp | Attache flexible | 3 | Ø13-19 |
| 16 | RQ | 877 5252-01 | Hose | Flexible | 1 | PER 1 M |
| 17 | 4 | 736 2825-51 | Hose clamp | Attache flexible | 3 | Ø32 |
| 18 | 1 | 471 2449-72 | Hose | Flexible | 1 | |
| 19 | 2 | 471 8175-01 | Plug | Fiche | 3 | |
| 20 | 1 | 438 0145-12 | Hose | Flexible | 1 | |
| 21 | 1 | 438 0127-01 | Lock | Serrure | 3 | |
| 22 | 1 | 736 2828-51 | Hose clamp | Attache flexible | 3 | |
| 23 | 1 | 438 0253-20 | Detergent container | Compartiment à savon | 1,2 | See group US8802 |
| 24 | 1 | 472 6761-01 | Cover washer | Rondelle protection | 3 | |
| 25 | 1 | 471 4792-01 | Tool | Outil | 1,2 | |
| 26 | 1 | 762 9105-05 | Cable strap | Serre-câble | 3 | |



| Issue | Month | Year |
|-------|-------|------|
| 02 | 08 | 97 |

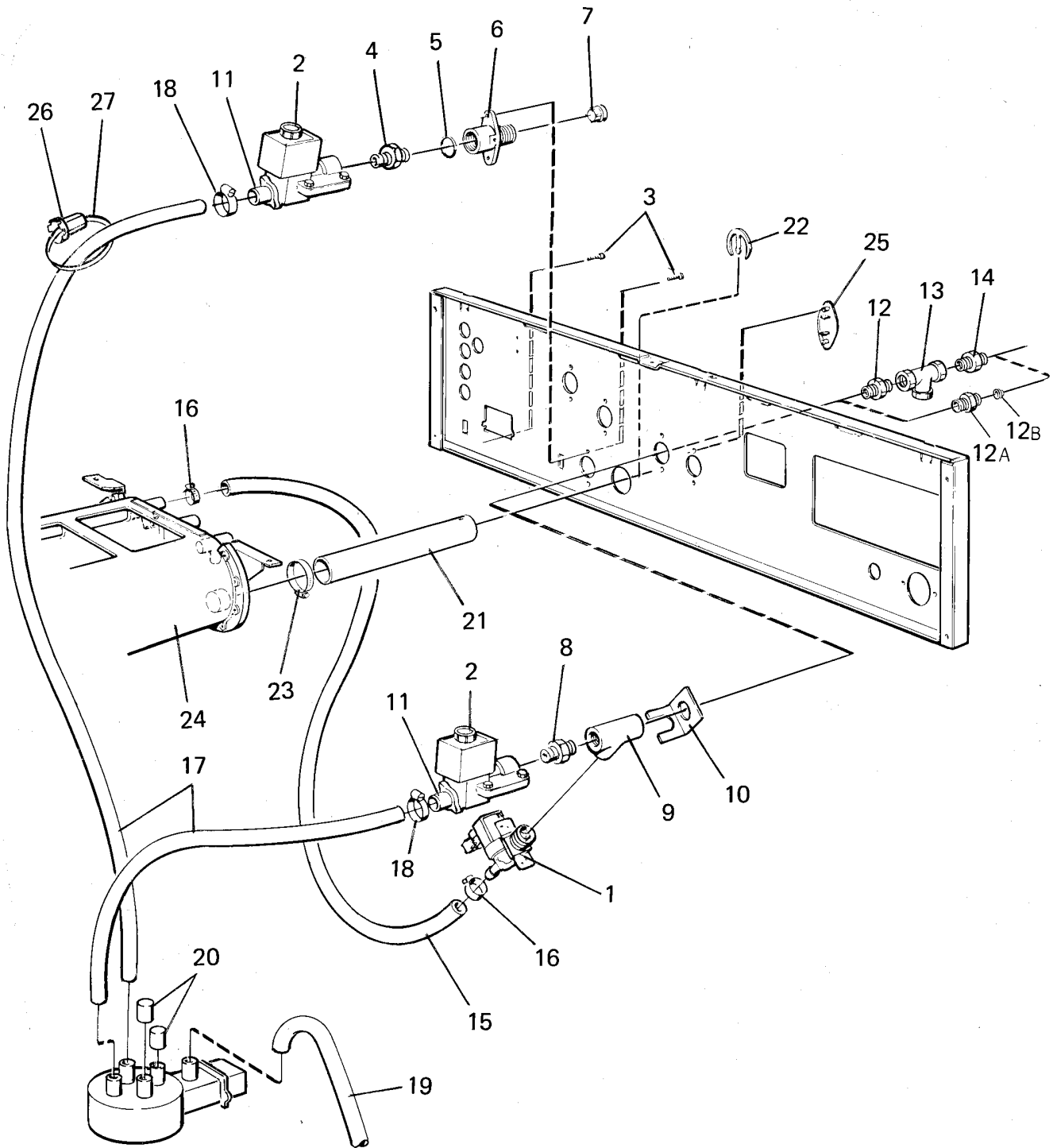
W185 96/14110-

Water connection liquid detergent

Raccord eau produit de lavage liquide

Illustration Issue Month Year
Schéma Issue Month Year
101412 2 9 1997

| Item Article | Qua Qua | Art.No Réf. article | Description | Description | Info Info | Notes Remarques |
|-----------------|------------|------------------------|---------------------|----------------------|--------------|--------------------------------------|
| 1 | 1 | 471 8234-54 | Valve | Soupape | 1,2 | 208-240V 60Hz 1-way See group US8115 |
| 2 | 2 | 471 8210-63 | Valve | Soupape | 1,2 | 60Hz See group US8125 |
| 3 | 2 | 471 8622-05 | Nipple | Raccord | 3 | 3/4" -9735926 |
| 3A | 2 | 471 8693-04 | Nipple | Raccord | 3 | 3/4"-3/4" 97/35927- |
| 3B | 2 | 471 8693-21 | •Filter | •Filtre | 1 | 97/35927- |
| 4 | 2 | 471 8622-01 | Nipple | Raccord | 3 | 1/2"-3/4" 50Hz |
| 5 | 1 | 471 8199-01 | Gasket | Joint | 3 | |
| 6 | 1 | 438 0056-04 | Nipple | Raccord | 3 | White, 3/4", USA |
| 7 | 2 | 742 5115-20 | T-pipe | Tube en T | 3 | |
| 8 | 2 | 471 2938-01 | Cover | Couvercle | 3 | |
| 9 | 2 | 471 8623-01 | Connection | Embrayage | 3 | R1/2" |
| 10 | 4 | 471 8159-06 | Gasket | Joint | 3 | |
| 11 | 1 | 744 3115-06 | Filter | Filtre | 3 | R 3/4" |
| 12 | 2 | 471 2094-92 | Nipple | Raccord | 3 | 60Hz |
| 13 | RQ | 877 5211-08 | Hose | Flexible | 1 | Per 1 m PER 1 M |
| 14 | 4 | 736 2816-51 | Hose clamp | Attache flexible | 3 | Ø13-19 |
| 15 | RQ | 877 5252-01 | Hose | Flexible | 1 | PER 1 M |
| 16 | 4 | 736 2825-51 | Hose clamp | Attache flexible | 3 | Ø32 |
| 17 | 1 | 471 2449-72 | Hose | Flexible | 1 | |
| 18 | 2 | 471 8175-01 | Plug | Fiche | 3 | |
| 19 | 1 | 438 0145-12 | Hose | Flexible | 1 | |
| 20 | 1 | 438 0127-01 | Lock | Serrure | 3 | |
| 21 | 1 | 736 2828-51 | Hose clamp | Attache flexible | 3 | |
| 22 | 1 | 438 0253-25 | Detergent container | Compartiment à savon | 1,2 | See group US8802 |
| 23 | 2 | 472 6761-01 | Cover washer | Rondelle protection | 3 | |
| 24 | 1 | 471 4792-01 | Tool | Outil | 1,2 | |
| 25 | 1 | 762 9105-05 | Cable strap | Serre-câble | 3 | |



101000

| Issue | Month | Year |
|-------|-------|------|
| 02 | 08 | 97 |

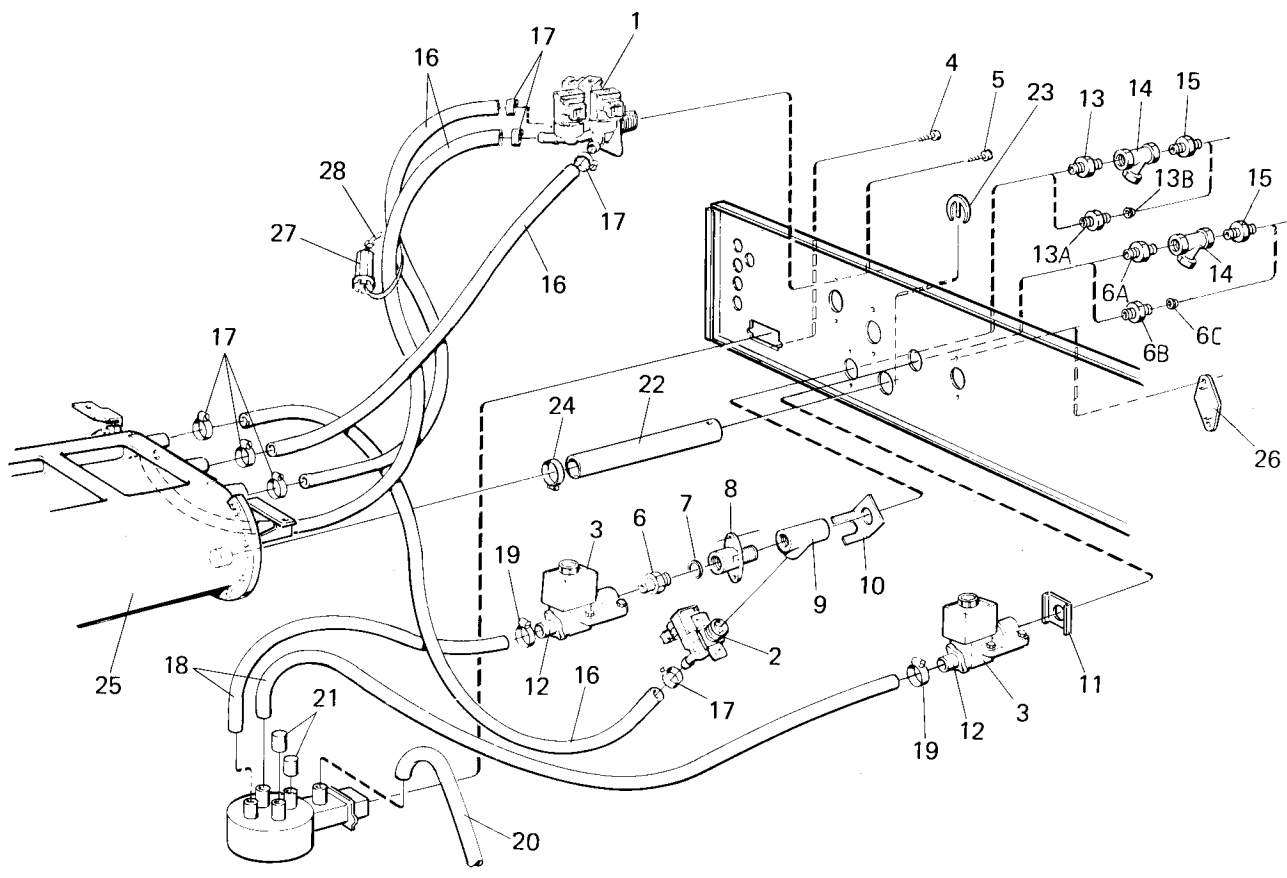
SE185

Water connections

Raccords d'eau

Illustration Issue Month Year
Schéma Issue Month Year
101000 5 9 1997

| Item Article | Qua Qua | Art.No Réf. article | Description | Description | Info Info | Notes Remarques |
|-----------------|------------|------------------------|---------------------|----------------------|--------------|---------------------------|
| 1 | 1 | 471 8234-56 | Valve | Soupape | 1,2 | 208-240V See group US8115 |
| | 1 | 471 8234-56 | Valve | Soupape | 1,2 | 208-240V See group US8115 |
| 2 | 2 | 471 8210-63 | Valve | Soupape | 1,2 | 60Hz See group US8125 |
| | 2 | 471 8210-02 | Valve | Soupape | 1,2 | 50Hz See group US8125 |
| 3 | 4 | 471 8317-01 | Screw | Vis | 3 | |
| 4 | 2 | 471 8622-02 | Nipple | Raccord | 3 | 1/2"-3/4" 60Hz |
| 5 | 1 | 471 8199-01 | Gasket | Joint | 3 | |
| 6 | 1 | 438 0056-04 | Nipple | Raccord | 3 | White, 3/4", USA |
| | 1 | 438 0056-03 | Nipple | Raccord | 3 | Black, 3/4" |
| 7 | 1 | 471 8693-21 | Filter | Filtre | 3 | 15 |
| 8 | 1 | 471 8622-01 | Nipple | Raccord | 3 | 1/2"-3/4" 50Hz |
| 9 | 1 | 742 5115-20 | T-pipe | Tube en T | 3 | |
| 10 | 1 | 471 2938-01 | Cover | Couvercle | 3 | |
| 11 | 2 | 471 8623-01 | Connection | Embrayage | 3 | R1/2" |
| 12 | 1 | 471 8622-05 | Nipple | Raccord | 3 | 3/4" -97/35926 |
| 12A | 1 | 471 8693-04 | Nipple | Raccord | 3 | 3/4"-3/4" 97/35927- |
| 12B | 1 | 471 8693-21 | •Filter | •Filtre | 1 | 97/35927- |
| 13 | 1 | 744 3115-06 | Filter | Filtre | 3 | R 3/4" -97/35926 |
| 14 | 1 | 471 2094-92 | •••••Nipple | •••••Raccord | 3 | 60Hz -97/35926 |
| 15 | RQ | 877 5211-08 | Hose | Flexible | 1 | Per 1 m PER 1 M |
| 16 | 3 | 736 2816-51 | Hose clamp | Attache flexible | 3 | Ø13-19 |
| 17 | RQ | 877 5252-01 | Hose | Flexible | 1 | PER 1 M |
| 18 | 4 | 736 2825-51 | Hose clamp | Attache flexible | 3 | Ø32 |
| 19 | 1 | 471 2449-72 | Hose | Flexible | 1 | |
| 20 | 2 | 471 8175-01 | Plug | Fiche | 3 | |
| 21 | 1 | 438 0145-12 | Hose | Flexible | 1 | |
| 22 | 1 | 438 0127-01 | Lock | Serrure | 3 | |
| 23 | 1 | 736 2828-51 | Hose clamp | Attache flexible | 3 | |
| 24 | 1 | 438 0253-25 | Detergent container | Compartiment à savon | 1,2 | See group US8802 |
| 25 | 2 | 472 6761-01 | Cover washer | Rondelle protection | 3 | |
| 26 | 1 | 471 4792-01 | Tool | Outil | 1,2 | |
| 27 | 1 | 762 9105-05 | Cable strap | Serre-câble | 3 | |



100999

| | | |
|-------|-------|------|
| Issue | Month | Year |
| 02 | 08 | 97 |

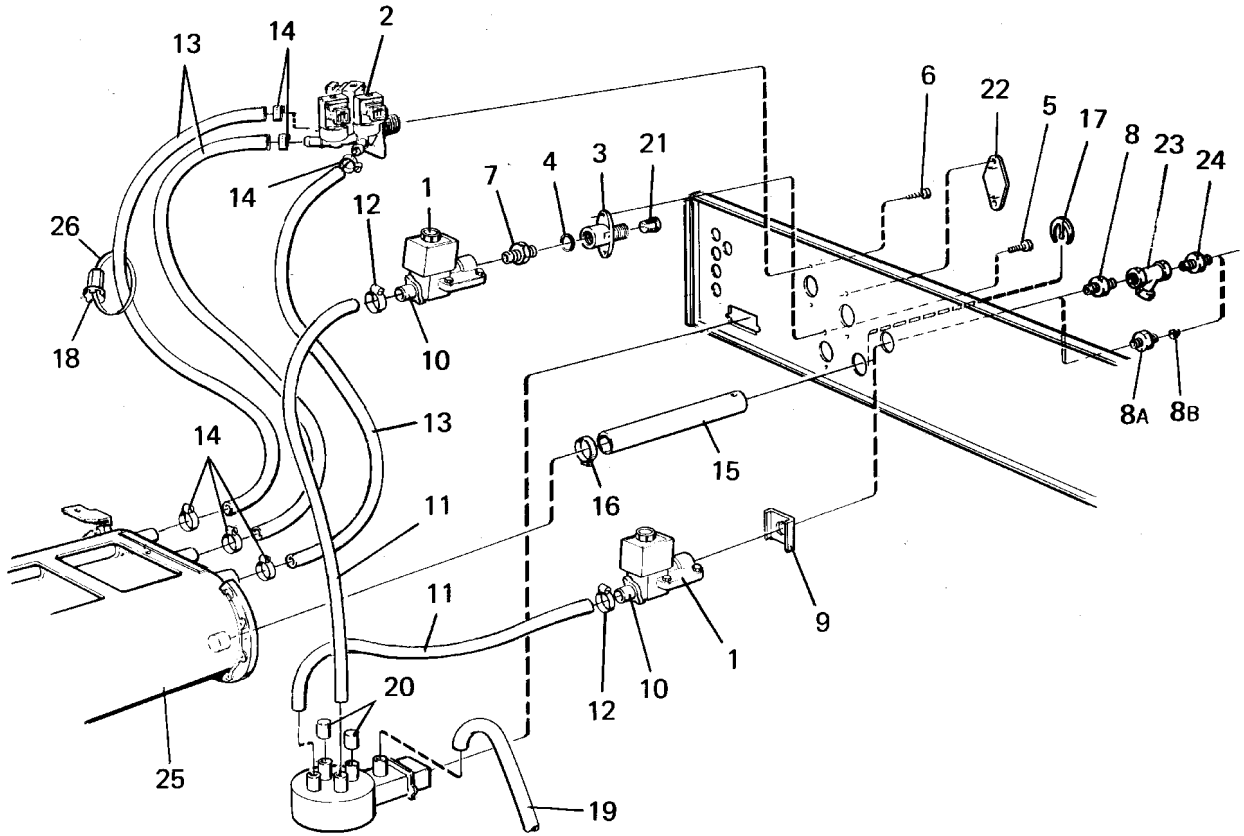
FL185

Water connections

Raccords d'eau

Illustration Issue Month Year
Schéma Issue Month Year
100999 6 9 1997

| Item Article | Qua Qua | Art.No Réf. article | Description | Description | Info Info | Notes Remarques |
|-----------------|------------|------------------------|---------------------|----------------------|--------------|---|
| 1 | 1 | 471 8236-53 | Valve | Soupape | 1,2 | 240V 60Hz 3-way See group US8117 -93/6236 |
| | 1 | 471 8236-65 | Valve | Soupape | 1,2 | EPDM 2, 240V 60Hz 3-way See group US8117 93/6237- |
| | 1 | 471 8236-64 | Valve | Soupape | 1,2 | 208-240V See group US8117 |
| 2 | 1 | 471 8234-56 | Valve | Soupape | 1,2 | 208-240V See group US8115 |
| | 1 | 471 8234-56 | Valve | Soupape | 1,2 | 208-240V See group US8115 |
| 3 | 2 | 471 8210-63 | Valve | Soupape | 1,2 | 60Hz See group US8125 |
| | 2 | 471 8210-02 | Valve | Soupape | 1,2 | 50Hz See group US8125 |
| 4 | 2 | 471 8317-01 | Screw | Vis | 3 | |
| 5 | 2 | 471 8341-11 | Screw | Vis | 3 | MRT 4X6 |
| 6 | 1 | 471 8622-01 | Nipple | Raccord | 3 | 1/2"-3/4" 50Hz |
| 6A | 1 | 471 8622-01 | Nipple | Raccord | 3 | 1/2"-3/4" 50Hz -97/35926 |
| 6B | 1 | 471 8693-02 | Nipple | Raccord | 3 | 1/2"-3/4" 97/35927- |
| 6C | 1 | 471 8693-21 | •Filter | •Filtre | 1 | 97/35927- |
| 7 | 1 | 471 8199-01 | Gasket | Joint | 3 | |
| 8 | 1 | 438 0056-03 | Nipple | Raccord | 3 | Black, 3/4" |
| | 1 | 438 0056-04 | Nipple | Raccord | 3 | White, 3/4", USA |
| 9 | 1 | 742 5115-20 | T-pipe | Tube en T | 3 | |
| 10 | 1 | 471 2938-01 | Cover | Couvercle | 3 | |
| 11 | 1 | 471 2937-01 | Bracket | Support | 3 | |
| 12 | 2 | 471 8623-01 | Connection | Embrayage | 3 | R1/2" |
| 13 | 1 | 471 8622-05 | Nipple | Raccord | 3 | 3/4" -97/35926 |
| 13A | 1 | 471 8693-04 | Nipple | Raccord | 3 | 3/4"-3/4" 97/35927- |
| 13B | 1 | 471 8693-21 | •Filter | •Filtre | 1 | 97/35927- |
| 14 | 2 | 744 3115-06 | Filter | Filtre | 3 | R 3/4" -97/35926 |
| 15 | 2 | 471 2094-92 | Nipple | Raccord | 3 | 60Hz -97/35926 |
| 16 | RQ | 877 5211-08 | Hose | Flexible | 1 | Per 1 m PER 1 M |
| 17 | 8 | 736 2816-51 | Hose clamp | Attache flexible | 3 | Ø13-19 |
| 18 | RQ | 877 5252-01 | Hose | Flexible | 1 | PER 1 M |
| 19 | 4 | 736 2825-51 | Hose clamp | Attache flexible | 3 | Ø32 |
| 20 | 1 | 471 2449-72 | Hose | Flexible | 1 | |
| 21 | 2 | 471 8175-01 | Plug | Fiche | 3 | |
| 22 | 1 | 438 0145-12 | Hose | Flexible | 1 | |
| 23 | 1 | 438 0127-01 | Lock | Serrure | 3 | |
| 24 | 1 | 736 2828-51 | Hose clamp | Attache flexible | 3 | |
| 25 | 1 | 438 0253-20 | Detergent container | Compartiment à savon | 1,2 | See group US8802 |
| 26 | 1 | 472 6761-01 | Cover washer | Rondelle protection | 3 | |
| 27 | 1 | 471 4792-01 | Tool | Outil | 1,2 | |
| 28 | 1 | 762 9105-05 | Cable strap | Serre-câble | 3 | |



101189

| Issue | Month | Year |
|-------|-------|------|
| 02 | 08 | 97 |

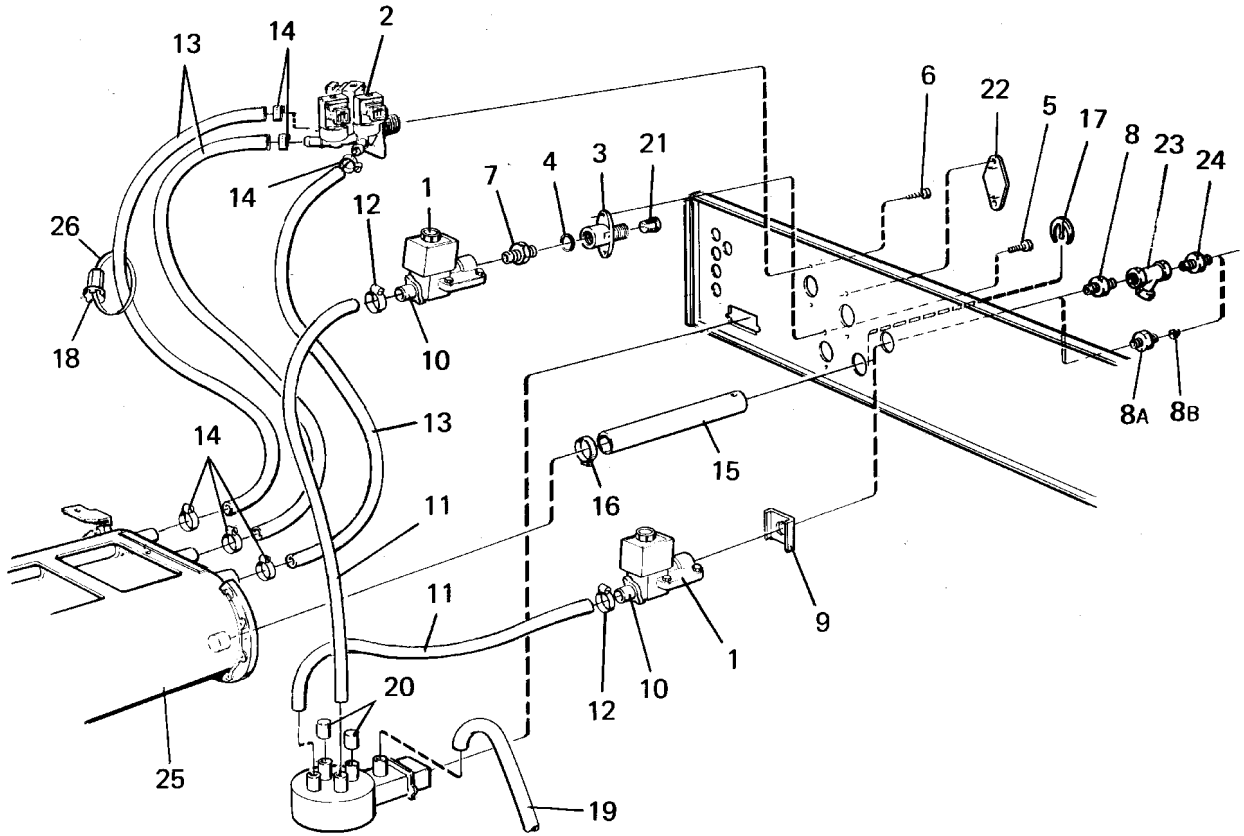
W185 93/6237-

Water connections

Raccords d'eau

Illustration Issue Month Year
Schéma Issue Month Year
101189 5 9 1997

| Item Article | Qua Qua | Art.No Réf. article | Description | Description | Info Info | Notes Remarques |
|-----------------|------------|------------------------|---------------------|---------------------|--------------|---|
| 1 | 2 | 471 8210-63 | Valve | Soupape | 1,2 | 60Hz See group US8125 |
| | 2 | 471 8210-02 | Valve | Soupape | 1,2 | 50Hz See group US8125 |
| 2 | 1 | 471 8236-65 | Valve | Soupape | 1,2 | EPDM 2, 240V 60Hz 3-way See group US8117 |
| | 1 | 471 8236-64 | Valve | Soupape | 1,2 | 208-240V See group US8117 |
| 3 | 1 | 438 0056-04 | Nipple | Raccord | 3 | White, 3/4", USA |
| | 1 | 438 0056-03 | Nipple | Raccord | 3 | Black, 3/4" |
| 4 | 1 | 471 8199-01 | Gasket | Joint | 3 | |
| 5 | 4 | 471 8317-01 | Screw | Vis | 3 | |
| 6 | 4 | 471 8341-11 | Screw | Vis | 3 | MRT 4X6 |
| 7 | 1 | 471 8622-02 | Nipple | Raccord | 3 | 1/2"-3/4" 60Hz |
| 8 | 1 | 471 8622-01 | Nipple | Raccord | 3 | 1/2"-3/4" 50Hz -97/35926 |
| 8A | 1 | 471 8693-02 | Nipple | Raccord | 3 | 1/2"-3/4" 97/35927- |
| 8B | 1 | 471 8693-21 | •Filter | •Filtre | 1 | 97/35927- |
| 9 | 1 | 471 2937-01 | Bracket | Support | 3 | |
| 10 | 2 | 471 8623-01 | Connection | Embrayage | 3 | R1/2" |
| 11 | RQ | 877 5252-01 | Hose | Flexible | 3 | PER 1M |
| 12 | 2 | 736 2825-51 | Hose clamp | Attache flexible | 3 | Ø32 |
| 13 | RQ | 877 5211-08 | Hose | Flexible | 3 | Per 1 m PER 1M |
| 14 | 8 | 736 2816-51 | Hose clamp | Attache flexible | 3 | Ø13-19 |
| 15 | 1 | 438 0145-12 | Hose | Flexible | 3 | |
| 16 | 1 | 736 2828-51 | Hose clamp | Attache flexible | 3 | |
| 17 | 1 | 438 0127-01 | Lock | Serrure | 3 | |
| 18 | 1 | 471 4792-01 | Tool | Outil | 1,2 | |
| 19 | 1 | 471 2449-72 | Hose | Flexible | 1 | |
| 20 | 2 | 471 8175-01 | Plug | Fiche | 3 | |
| 21 | 1 | 471 8693-21 | Filter | Filtre | 3 | |
| 22 | 1 | 472 6761-01 | Cover washer | Rondelle protection | 3 | |
| 23 | 1 | 744 3115-06 | Filter | Filtre | 3 | R 3/4" |
| 24 | 1 | 471 2094-92 | Nipple | Raccord | 3 | 60Hz |
| 25 | 1 | 438 0253-20 | Detergent container | Compartment à savon | 1,2 | See group US8802 |
| 26 | 1 | 762 9105-05 | Cable strap | Serre-câble | 3 | |
| 1 | 2 | 471 8210-03 | Valve | Soupape | 1,2 | 1/2 115V 60Hz See group US8125 |
| 2 | 1 | 471 8236-66 | Valve | Soupape | 1,2 | EPDM 2, 120V 60Hz 3-way See group US8117 |
| 3 | 1 | 438 0056-03 | Nipple | Raccord | 3 | Black, 3/4" |
| 4 | 1 | 471 8199-01 | Gasket | Joint | 3 | |
| 5 | 4 | 471 8317-01 | Screw | Vis | 3 | |
| 6 | 4 | 471 8341-11 | Screw | Vis | 3 | MRT 4X6 |
| 7 | 1 | 471 8622-02 | Nipple | Raccord | 3 | 1/2"-3/4" 60Hz |
| 8 | 1 | 471 8622-01 | Nipple | Raccord | 3 | 1/2"-3/4" 50Hz -97/35926 |
| 8A | 1 | 471 8693-02 | Nipple | Raccord | 3 | 1/2"-3/4" 97/35927- |
| 8B | 1 | 471 8693-21 | •Filter | •Filtre | 1 | 97/35927- |
| 9 | 1 | 471 2937-01 | Bracket | Support | 3 | |
| 10 | 2 | 471 8623-01 | Connection | Embrayage | 3 | R1/2" |
| 11 | RQ | 877 5252-01 | Hose | Flexible | 1 | PER 1M |
| 12 | 2 | 736 2825-51 | Hose clamp | Attache flexible | 3 | Ø32 |
| 13 | RQ | 877 5211-08 | Hose | Flexible | 1 | Per 1 m PER 1M |
| 14 | 8 | 736 2816-51 | Hose clamp | Attache flexible | 3 | Ø13-19 |
| 15 | 1 | 438 0145-12 | Hose | Flexible | 3 | |
| 16 | 1 | 736 2828-51 | Hose clamp | Attache flexible | 3 | |
| 17 | 1 | 438 0127-01 | Lock | Serrure | 3 | |
| 18 | 1 | 471 4792-01 | Tool | Outil | 3 | |
| 19 | 1 | 471 2449-72 | Hose | Flexible | 1 | |
| 20 | 2 | 471 8175-01 | Plug | Fiche | 3 | |
| 21 | 1 | 471 8693-21 | Filter | Filtre | 3 | |
| 22 | 1 | 472 6761-01 | Cover washer | Rondelle protection | 3 | |
| 23 | 1 | 744 3115-06 | Filter | Filtre | 3 | R 3/4" |



101189

| Issue | Month | Year |
|-------|-------|------|
| 02 | 08 | 97 |

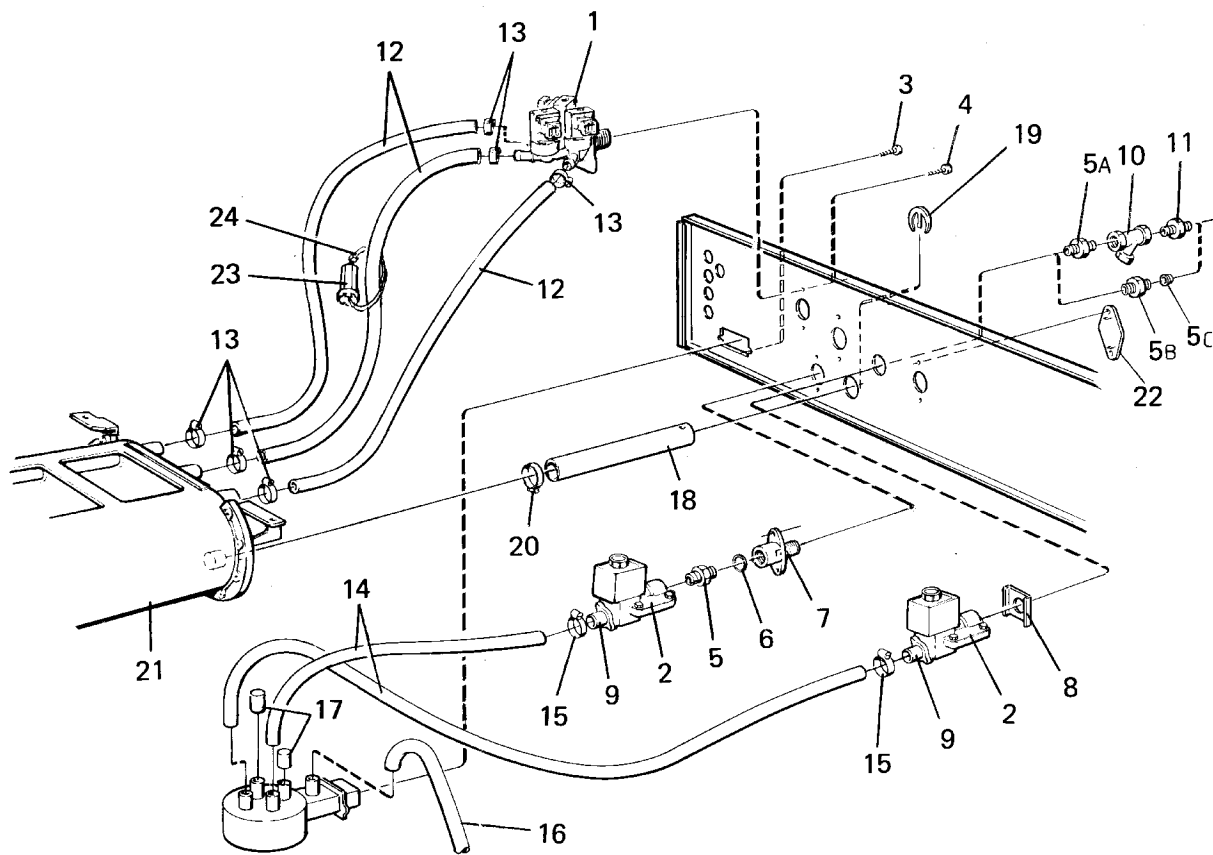
W185 93/6237-

Water connections

Raccords d'eau

| | | | |
|---------------|----------|----------|-------------|
| Illustration | Issue | Month | Year |
| Schéma | Issue | Month | Year |
| 101189 | 5 | 9 | 1997 |

| Item Article | Qua Qua | Art.No Réf. article | Description | Description | Info Info | Notes Remarques |
|-----------------|------------|------------------------|---------------------|---------------------|--------------|--------------------|
| 24 | 1 | 471 2094-92 | Nipple | Raccord | 3 | 60Hz |
| 25 | 1 | 438 0253-20 | Detergent container | Compartment à savon | 1,2 | See group US8802 |
| 26 | 1 | 762 9105-05 | Cable strap | Serre-câble | 3 | |



101191

| Issue | Month | Year |
|-------|-------|------|
| 02 | 08 | 97 |

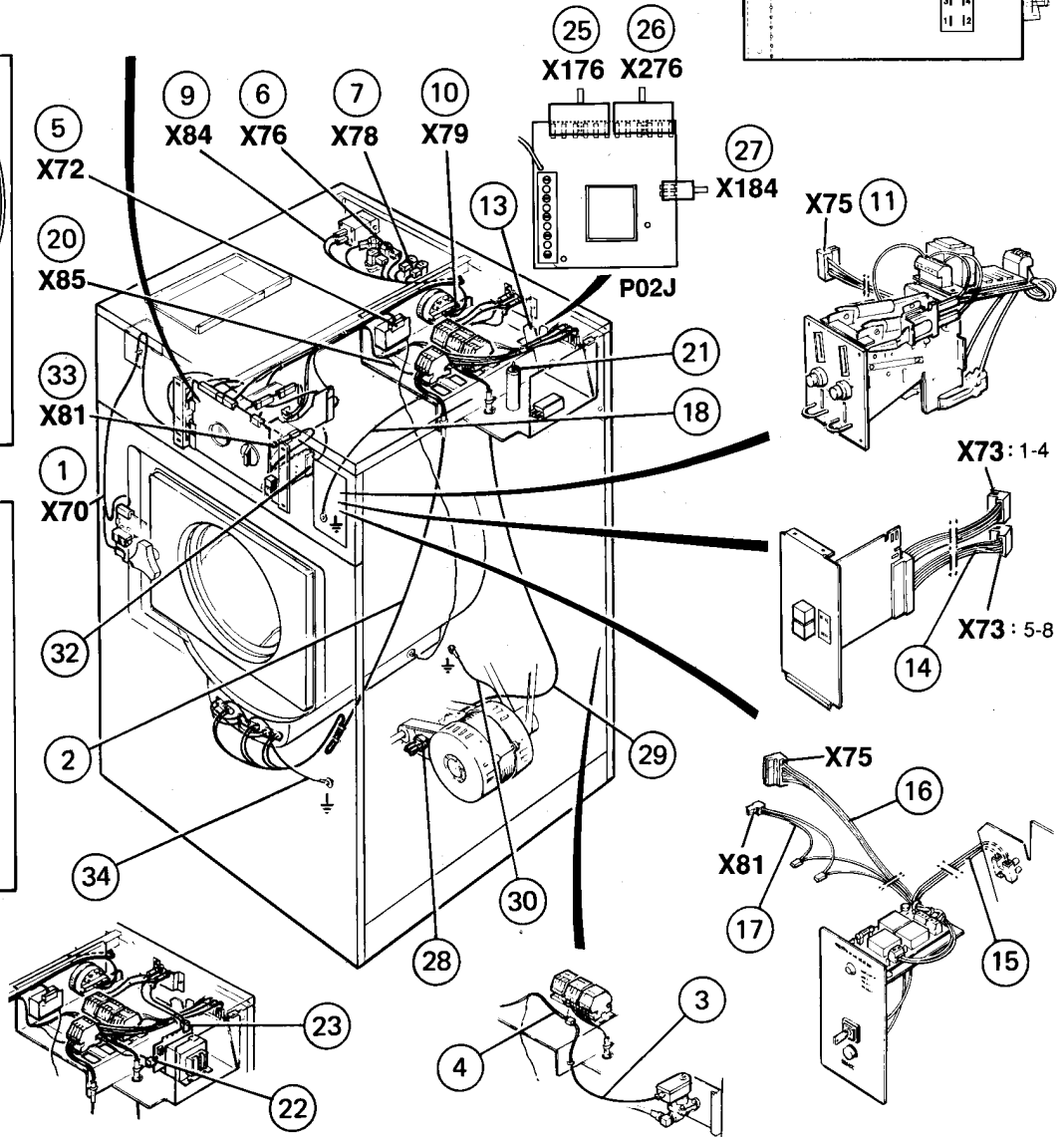
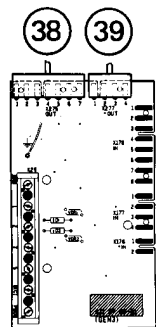
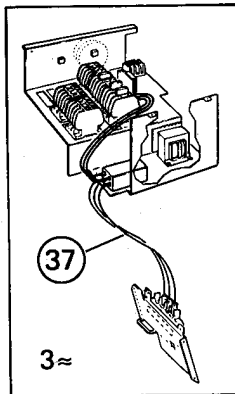
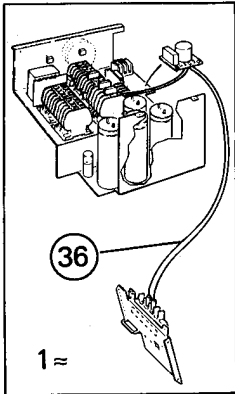
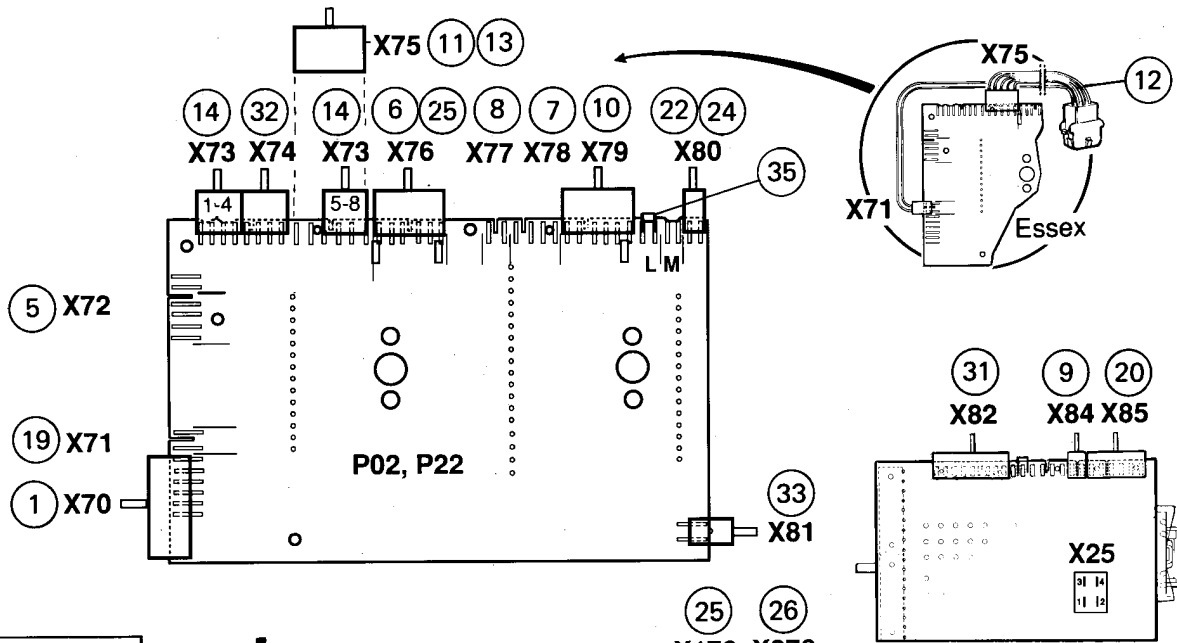
FL185 HI-TEK

Water connections

Raccords d'eau

Illustration Issue Month Year
Schéma Issue Month Year
101191 4 3 1995

| Item Article | Qua Qua | Art.No Réf. article | Description | Description | Info Info | Notes Remarques |
|-----------------|------------|------------------------|---------------------|----------------------|--------------|---|
| 1 | 1 | 471 8236-65 | Valve | Soupape | 1,2 | EPDM 2, 240V 60Hz 3-way See group US8117 |
| | 1 | 471 8236-64 | Valve | Soupape | 1,2 | 208-240V See group US8117 |
| 2 | 2 | 471 8210-63 | Valve | Soupape | 1,2 | 60Hz See group US8125 |
| | 2 | 471 8210-02 | Valve | Soupape | 1,2 | 50Hz See group US8125 |
| 3 | 2 | 471 8317-01 | Screw | Vis | 3 | |
| 4 | 2 | 471 8341-11 | Screw | Vis | 3 | MRT 4X6 |
| 5 | 1 | 471 8622-01 | Nipple | Raccord | 3 | 1/2"-3/4" 50Hz |
| 5A | 1 | 471 8622-01 | Nipple | Raccord | 3 | 1/2"-3/4" 50Hz -97/35926 |
| 5B | 1 | 471 8693-02 | Nipple | Raccord | 3 | 1/2"-3/4" 97/35927- |
| 5C | 1 | 471 8693-21 | •Filter | •Filtre | 1 | 97/35927- |
| 6 | 1 | 471 8199-01 | Gasket | Joint | 3 | |
| 7 | 1 | 438 0056-03 | Nipple | Raccord | 3 | Black, 3/4" |
| | 1 | 438 0056-04 | Nipple | Raccord | 3 | White, 3/4", USA |
| 8 | 1 | 471 2937-01 | Bracket | Support | 3 | |
| 9 | 2 | 471 8623-01 | Connection | Embrayage | 3 | R1/2" |
| 10 | 1 | 744 3115-06 | Filter | Filtre | 3 | R 3/4" |
| 11 | 1 | 471 2094-92 | Nipple | Raccord | 3 | 60Hz |
| 12 | RQ | 877 5211-08 | Hose | Flexible | 1 | Per 1 m PER 1 M |
| 13 | 6 | 736 2816-51 | Hose clamp | Attache flexible | 3 | Ø13-19 |
| 14 | RQ | 877 5252-01 | Hose | Flexible | 1 | PER 1 M |
| 15 | 4 | 736 2825-51 | Hose clamp | Attache flexible | 3 | Ø32 |
| 16 | 1 | 471 2449-72 | Hose | Flexible | 1 | |
| 17 | 2 | 471 8175-01 | Plug | Fiche | 3 | |
| 18 | 1 | 438 0145-12 | Hose | Flexible | 1 | |
| 19 | 1 | 438 0127-01 | Lock | Serrure | 3 | |
| 20 | 1 | 736 2828-51 | Hose clamp | Attache flexible | 3 | |
| 21 | 1 | 438 0253-20 | Detergent container | Compartiment à savon | 1,2 | See group US8802 |
| 22 | 1 | 472 6761-01 | Cover washer | Rondelle protection | 3 | |
| 23 | 1 | 471 4792-01 | Tool | Outil | 1,2 | |
| 24 | 1 | 762 9105-05 | Cable strap | Serre-câble | 3 | |



| Issue | Month | Year |
|-------|-------|------|
| 05 | 09 | 97 |

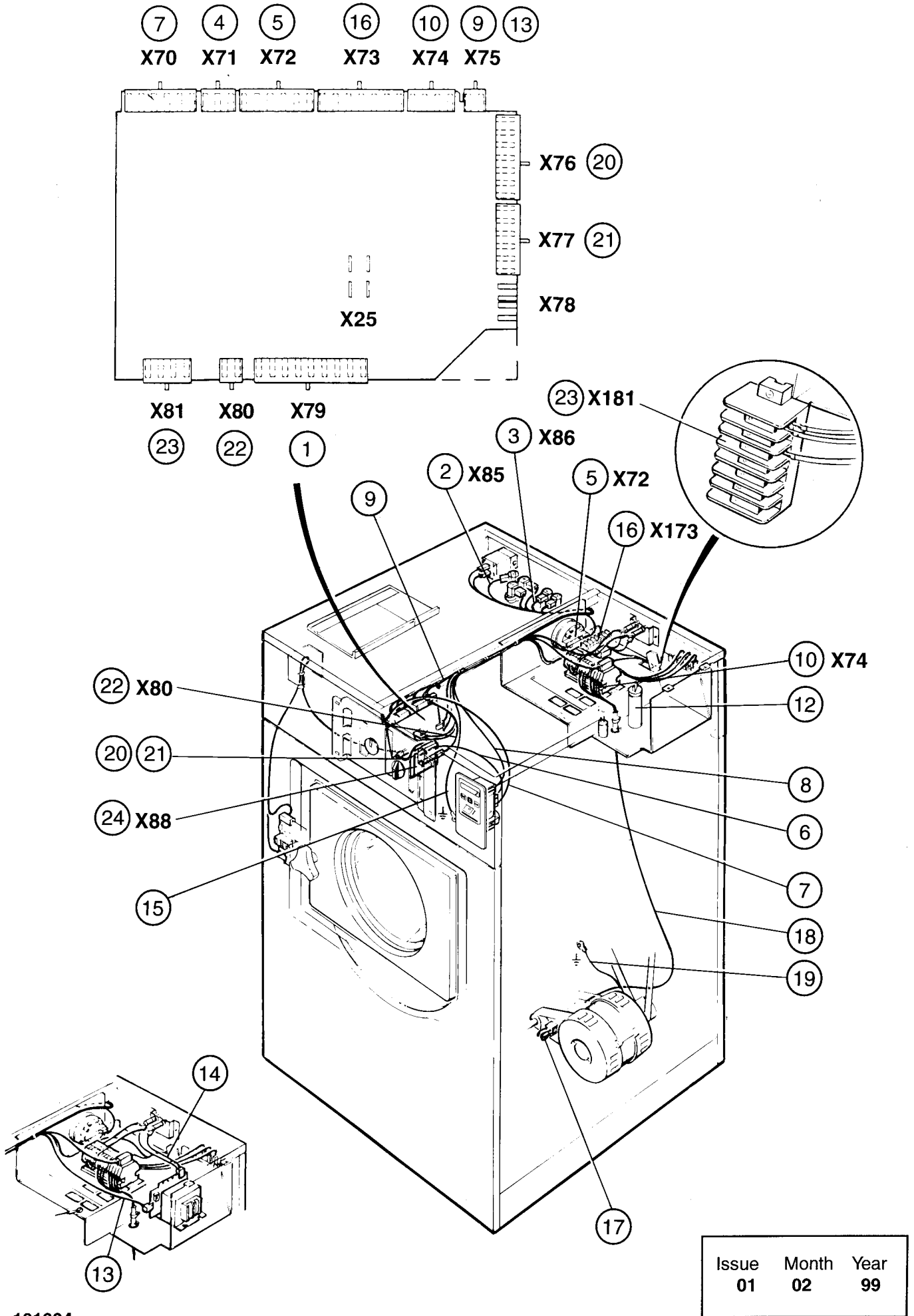
W185

Cables P02,22

Câble P02,22

Illustration Issue Month Year
Schéma Issue Month Year
101144/5 2 9 1995

| Item Article | Qua Qua | Art.No Réf. article | Description | Description | Info Info | Notes Remarques |
|-----------------|------------|------------------------|-------------|---------------|--------------|----------------------------------|
| 1 | 1 | 438 3030-10 | Cables | Câble | 3 | DOOR LOCK,X70, -92/5065 |
| | 1 | 438 3089-03 | Cables | Câble | 3 | DOOR LOCK,X70, 92/5066- |
| 2 | 1 | 438 3021-31 | Cables | Câble | 3 | 18KW 230V Heating |
| | 1 | 438 3021-30 | Cables | Câble | 3 | 12KW 230V, 18KW 400V Heating |
| 3 | 1 | 438 3021-05 | Cables | Câble | 3 | HEATING DS |
| 4 | 1 | 438 3021-04 | Cables | Câble | 3 | DS,NEUTRAL HARNESS |
| 5 | 1 | 438 3086-08 | Cables | Câble | 3 | THERMOSTAT,X72 |
| 6 | 1 | 438 3019-50 | Cables | Câble | 3 | COLD WATER,X76 |
| 7 | 1 | 438 3019-51 | Cables | Câble | 3 | HOT WATER,X78 |
| | 1 | 438 3019-56 | Cables | Câble | 3 | HOT WATER,X78,JAPAN P02J |
| 8 | 1 | 438 3019-53 | Cables | Câble | 3 | COLD HARD WATER,X77 |
| 9 | 1 | 438 3019-29 | Cables | Câble | 3 | DRAIN VALVE,WATER CONTROLLED |
| | 1 | 438 3019-68 | Cables | Câble | 3 | DRAIN VALVE,EL. CONTROLLED |
| | 1 | 438 3019-13 | Cables | Câble | 3 | DRAIN VALVE N.C.,4-POLE |
| 10 | 1 | 438 3086-06 | Cables | Câble | 3 | LEVEL CONTROL,X79 |
| | 1 | 438 3086-60 | Cables | Câble | 3 | LEVEL CONTROL,X79 JAPAN, P02J |
| 11 | 1 | 438 3019-37 | Cables | Câble | 3 | COIN-METER,X75 |
| 12 | 1 | 438 3019-32 | Cables | Câble | 3 | ESSEX COIN-METER,X71,X75 |
| 13 | 1 | 438 3019-82 | Cables | Câble | 3 | COGES COIN-METER,X75 |
| 14 | 1 | 438 3030-41 | Cables | Câble | 3 | MANUAL START,X73 |
| 15 | 1 | 438 3019-07 | Cables | Câble | 3 | CP800 |
| 16 | 1 | 438 3019-02 | Cables | Câble | 3 | CP800 START,X75 |
| 17 | 1 | 438 3019-03 | Cables | Câble | 3 | CP800,X81 |
| 18 | 1 | 438 3019-21 | Cables | Câble | 3 | GROUND(GREENWALD) Not used |
| 20 | 1 | 438 3014-02 | Cables | Câble | 3 | MOTOR RELAY,X85 |
| 21 | 1 | 438 3010-13 | Cables | Câble | 3 | EXTRA CAPACITOR |
| 22 | 1 | 438 3082-12 | Cables | Câble | 3 | 2-POLE TRAFO IN,X80 |
| 23 | 1 | 438 3009-11 | Cables | Câble | 3 | 2-POLE TRAFO |
| 24 | 1 | 438 3019-19 | Cables | Câble | 3 | 2-POLE IN,X80 |
| 25 | 1 | 438 3086-09 | Cables | Câble | 3 | X76-X176,JAPAN,P02J |
| 26 | 1 | 438 3086-12 | Cables | Câble | 3 | COLD WATER,X276,JAPAN, P02J |
| 27 | 1 | 438 3019-49 | Cables | Câble | 3 | LEVEL CONTROL,X184,P02J |
| 28 | 1 | 471 8748-01 | Cables | Câble | 3 | 230V MOTOR PLUG |
| | 1 | 471 8748-02 | Cables | Câble | 3 | 400V MOTOR PLUG |
| 29 | 1 | 438 3014-21 | Cables | Câble | 3 | MOTOR START RELAY, -92/4779 |
| | 1 | 438 3014-22 | Cables | Câble | 3 | MOTOR START RELAY, 92/4780- |
| | 1 | 438 3014-23 | Cables | Câble | 3 | MOTOR 3AC |
| 30 | 1 | 438 3019-23 | Cables | Câble | 3 | GROUND MOTOR/FRAME |
| 31 | 1 | 438 3089-05 | Cables | Câble | 3 | ROTARY SWITCH,X82-X182 |
| 32 | 1 | 438 3084-05 | Cables | Câble | 3 | STOP,X74-X174 |
| 33 | 1 | 438 3082-15 | Cable set | Jeu de câbles | 3 | PILOT LAMP,X81 |
| 34 | 1 | 438 3019-22 | Cables | Câble | 3 | GROUND,HEATING ELEMENTS |
| 35 | 1 | 438 3014-13 | Cables | Câble | 3 | LC-FILTER 3AC, 94/9532- |
| | 1 | 438 3014-12 | Cables | Câble | 3 | LC-FILTER 3AC TRAFO, 94/9532- |



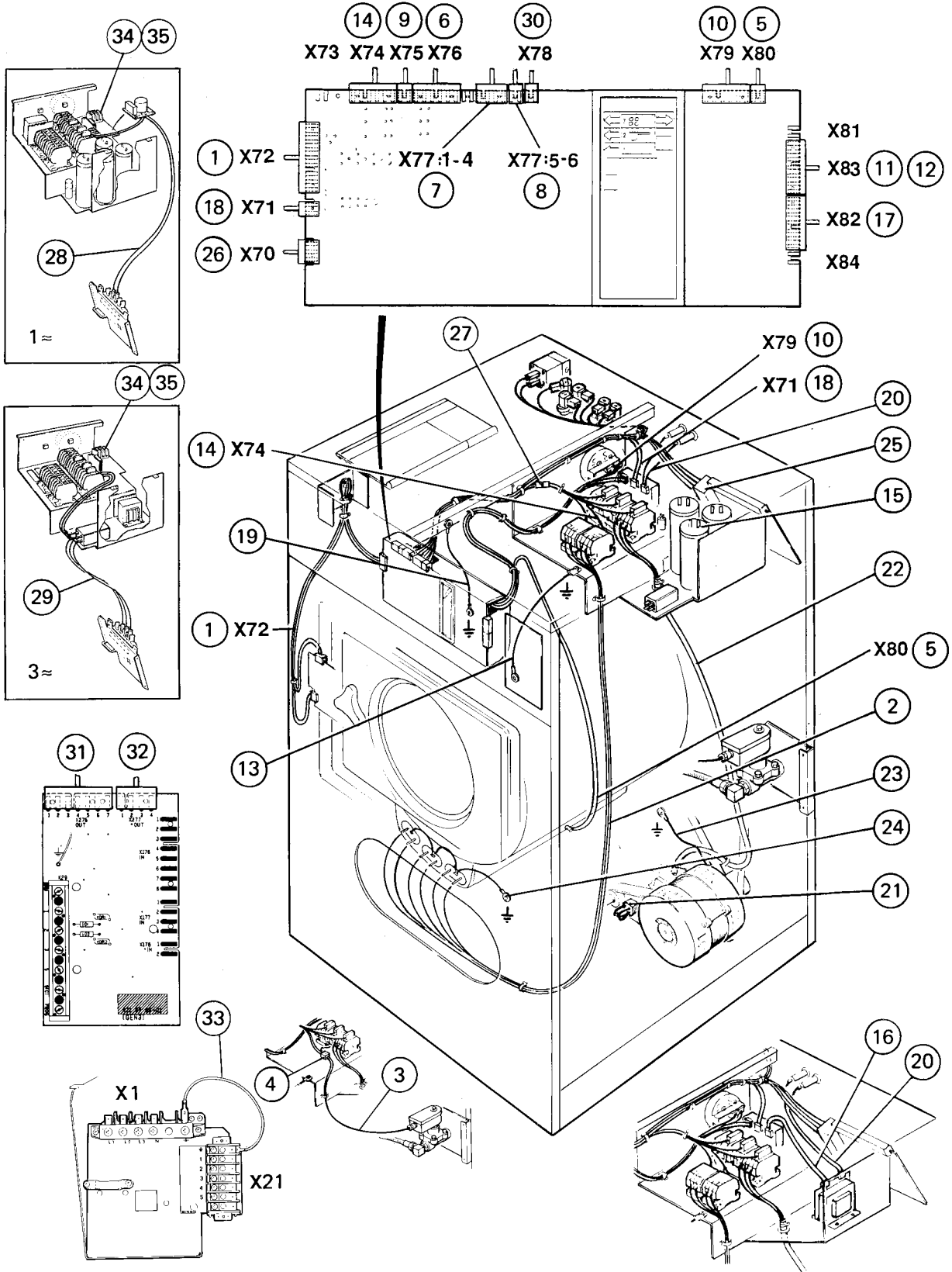
W185

Cables for single system

Cables for single system

Illustration Issue Month Year
Schéma Issue Month Year
101664 1 2 2000

| Item Article | Qua Qua | Art.No Réf. article | Description | Description | Info Info | Notes Remarques |
|-----------------|------------|------------------------|-------------|---------------|--------------|-------------------------------------|
| 1 | 1 | 438 3089-03 | Cables | Câble | 3 | DOOR LOCK X79 |
| 2 | 1 | 438 3086-01 | Cables | Câble | 3 | COLD WATER,POWDER, X85 |
| | 1 | 438 3084-22 | Cables | Câble | 3 | COLD WATER,LIQUID, X85 |
| 3 | 1 | 438 3086-22 | Cables | Câble | 3 | HOT WATER,POWDER, X86 |
| | 1 | 438 3084-08 | Cables | Câble | 3 | HOT WATER,LIQUID, X86 |
| 4 | 1 | 438 3019-29 | Cables | Câble | 3 | DRAIN VALVE,WATER CONTROLLED |
| | 1 | 438 3019-68 | Cables | Câble | 3 | DRAIN VALVE,X71 EL. CONTR. |
| 5 | 1 | 438 3086-06 | Cables | Câble | 3 | LEVEL CONTROL,X72 |
| 6 | 1 | 438 3022-13 | Cables | Câble | 3 | Feedback signal |
| 7 | 1 | 438 3022-14 | Cables | Câble | 3 | Output, singlesystem, X70 |
| 8 | 1 | 438 3022-11 | Cables | Câble | 3 | Power supply, single system, X22 |
| 9 | 1 | 438 3022-15 | Cables | Câble | 3 | X75 |
| 10 | 1 | 438 3019-21 | Cables | Câble | 3 | Ground |
| 11 | 1 | 438 3014-53 | Cables | Câble | 3 | NEUTRAL,RELAYS |
| 12 | 1 | 438 3010-13 | Cables | Câble | 3 | EXTRA CAPACITOR |
| 13 | 1 | 438 3082-12 | Cables | Câble | 3 | 2-POLE TRAF0 IN,X80 TRAF0, X75 |
| 14 | 1 | 438 3009-11 | Cables | Câble | 3 | 2-POLE TRAF0 TRAF0 |
| 15 | 1 | 438 3019-19 | Cables | Câble | 3 | 2-POLE IN,X80 X75 |
| 16 | 1 | 438 3019-84 | Cables | Câble | 3 | OPTIONS,X73 |
| 17 | 1 | 471 8748-01 | Cables | Câble | 3 | 230V PLUG MOTOR |
| | 1 | 471 8748-02 | Cables | Câble | 3 | 400V PLUG MOTOR |
| 18 | 1 | 438 3014-21 | Cables | Câble | 3 | MOTOR START RELAY, |
| | 1 | 438 3014-22 | Cables | Câble | 3 | MOTOR START RELAY, |
| | 1 | 438 3014-24 | Cables | Câble | 3 | MOTOR 3AC |
| 19 | 1 | 471 4878-01 | Cables | Câble | 3 | GROUND MOTOR-FRAME |
| 20 | 1 | 438 3087-10 | Cable set | Jeu de câbles | 3 | ROTARY SWITCH,X76 |
| 21 | 1 | 438 3086-11 | Cables | Câble | 3 | ROTARY SWITCH, X77 |
| 22 | 1 | 438 3082-15 | Cable set | Jeu de câbles | 3 | PILOT LAMP,X80 |
| 23 | 1 | 438 3019-75 | Cables | Câble | 3 | CONNECTION LIQUID SUPPLY, X8 |
| 24 | 1 | 438 3082-72 | Cables | Câble | 3 | ROTARY SWITCH, X88 |



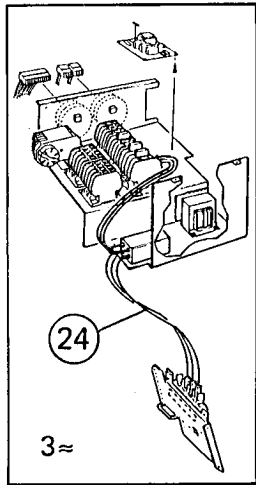
W185 EMERALD,SE185

Cables

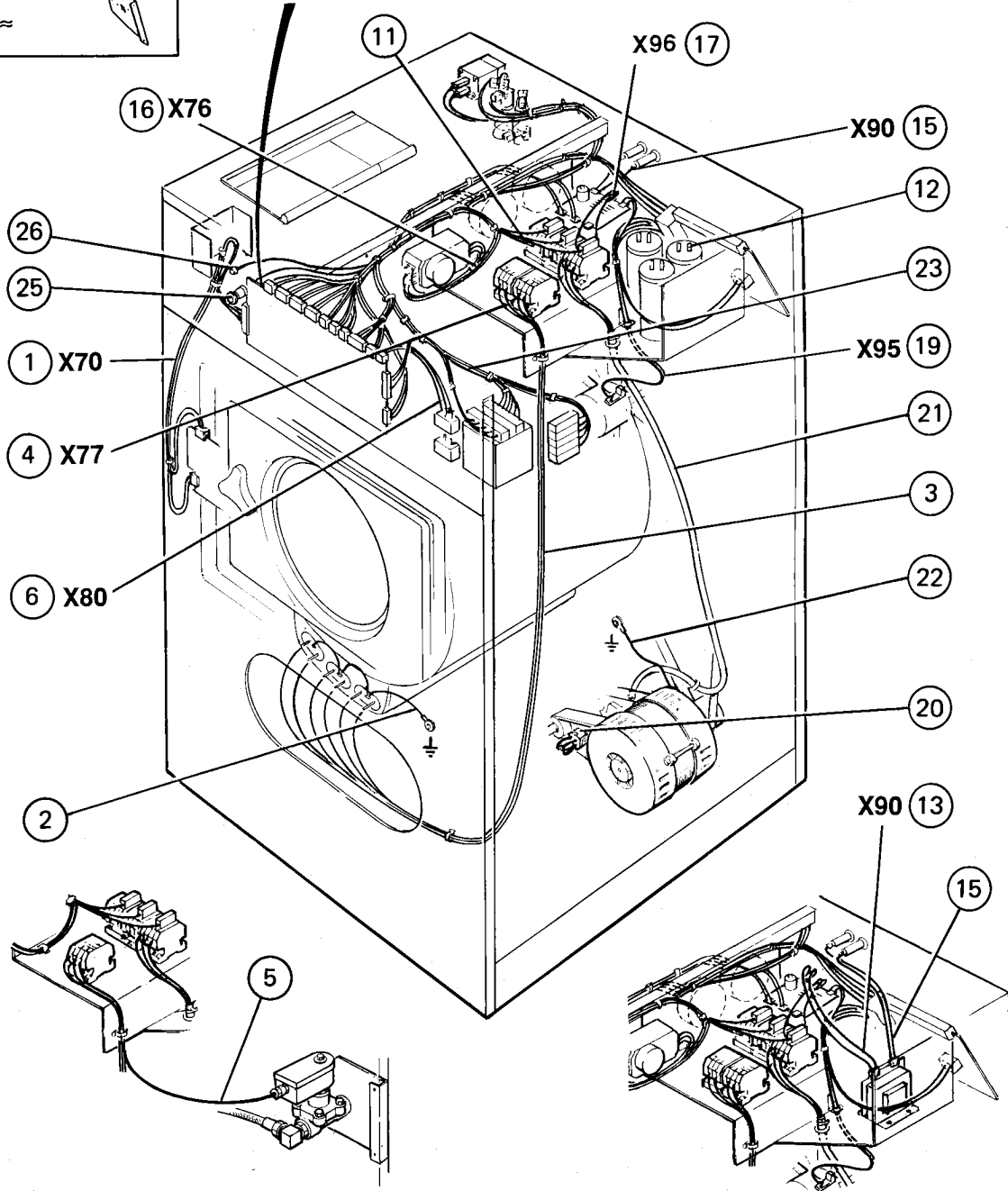
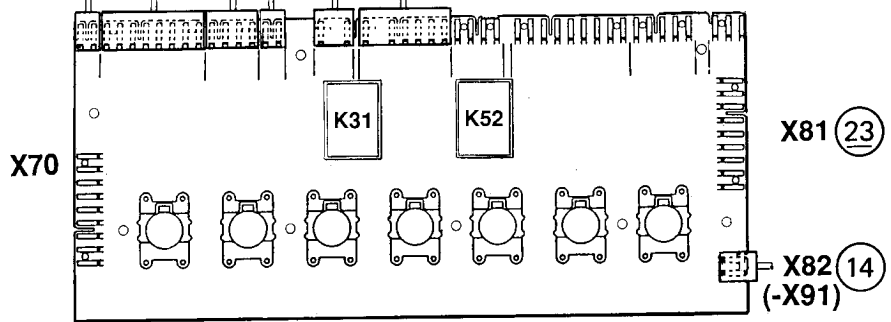
Câble

Illustration Issue Month Year
Schéma Issue Month Year
101137/6 4 4 1996

| Item Article | Qua Qua | Art.No Réf. article | Description | Description | Info Info | Notes Remarques |
|-----------------|------------|------------------------|-------------|-------------|--------------|----------------------------------|
| 1 | 1 | 438 3087-02 | Cables | Câble | 3 | DOOR LOCK,X72, -92/5065 |
| | 1 | 438 3087-06 | Cables | Câble | 3 | DOOR LOCK,X72, 92/5066- |
| 2 | 1 | 438 3021-31 | Cables | Câble | 3 | 18KW 230V Heating |
| | 1 | 438 3021-30 | Cables | Câble | 3 | 12KW 230V, 18KW 400V Heating |
| 3 | 1 | 438 3021-05 | Cables | Câble | 3 | HEATING DS |
| 4 | 1 | 438 3021-04 | Cables | Câble | 3 | DS,NEUTRAL |
| 5 | 1 | 438 3082-07 | Cables | Câble | 3 | TEMP SENSOR,X80 |
| 6 | 1 | 438 3019-55 | Cables | Câble | 3 | COLD WATER,X76 |
| 7 | 1 | 438 3019-52 | Cables | Câble | 3 | HOT WATER,X77:1-4 |
| 8 | 1 | 438 3019-53 | Cables | Câble | 3 | COLD HARD WATER,X77:5-6 |
| 9 | 1 | 438 3019-29 | Cables | Câble | 3 | DRAIN VALVE,WATER CONTROLLED |
| | 1 | 438 3019-68 | Cables | Câble | 3 | DRAIN VALVE,EL. CONTROLLED |
| 10 | 1 | 438 3086-06 | Cables | Câble | 3 | LEVEL CONTROL,X79 |
| 11 | 1 | 438 3030-83 | Cables | Câble | 3 | COIN-METER,X83 |
| 12 | 1 | 438 3019-41 | Cables | Câble | 3 | PRICE PROGRAMMING |
| 13 | 1 | 438 3019-21 | Cables | Câble | 3 | GROUND(GEENWALD) |
| 14 | 1 | 438 3019-83 | Cables | Câble | 3 | MOTOR RELAY,X74 |
| 15 | 1 | 438 3010-13 | Cables | Câble | 3 | EXTRA CAPACITOR |
| 16 | 1 | 438 3082-13 | Cables | Câble | 3 | 2-pole trafo-trafo |
| 17 | 1 | 438 3087-03 | Cables | Câble | 3 | TRAFO,X82,7-POLE |
| 18 | 1 | 438 3082-12 | Cables | Câble | 3 | 2-POLE TRAFO IN,X80 X71 |
| 19 | 1 | 438 3019-24 | Cables | Câble | 3 | GROUND,PC-BOARD |
| 20 | 1 | 438 3009-11 | Cables | Câble | 3 | 2-POLE TRAFO |
| 21 | 1 | 471 8748-01 | Cables | Câble | 3 | 230V MOTOR PLUG |
| | 1 | 471 8748-02 | Cables | Câble | 3 | 400V MOTOR PLUG |
| 22 | 1 | 438 3014-21 | Cables | Câble | 3 | MOTOR START RELAY, -92/4779 |
| | 1 | 438 3014-22 | Cables | Câble | 3 | MOTOR START RELAY, 92/4780- |
| | 1 | 438 3014-23 | Cables | Câble | 3 | MOTOR 3AC |
| 23 | 1 | 438 3019-23 | Cables | Câble | 3 | GROUND MOTOR/FRAME |
| 24 | 1 | 438 3019-22 | Cables | Câble | 3 | GROUND,HEATING ELEMENTS |
| 25 | 1 | 438 3019-27 | Cables | Câble | 3 | SELECTA 28 |
| | 1 | 438 3019-80 | Cables | Câble | 3 | X7-X21 94/9532- |
| 26 | 1 | 438 3019-69 | Cables | Câble | 3 | ADAPTER,X70-X7 |
| 27 | 1 | 438 3019-70 | Cables | Câble | 3 | K4-X7 94/9532- |
| 28 | 1 | 438 3014-11 | Cables | Câble | 3 | LC-FILTER 1AC, 94/9532- |
| 29 | 1 | 438 3014-13 | Cables | Câble | 3 | LC-FILTER 3AC, 94/9532- |
| | 1 | 438 3014-12 | Cables | Câble | 3 | LC-FILTER 3AC TRAFO, 94/9532- |
| 30 | 1 | 438 3082-27 | Cables | Câble | 3 | X78-X178, LIQUID DETERGENT |
| 31 | 1 | 438 3019-63 | Cables | Câble | 3 | X276, LIQUID DETERGENT |
| 32 | 1 | 438 3019-62 | Cables | Câble | 3 | X277, LIQUID DETERGENT |



10 7 8 9 18 16 4 23 23 6
 X71 X72 X73 X74 X75 X76 X77 X78 X79 X80
 (-X93)



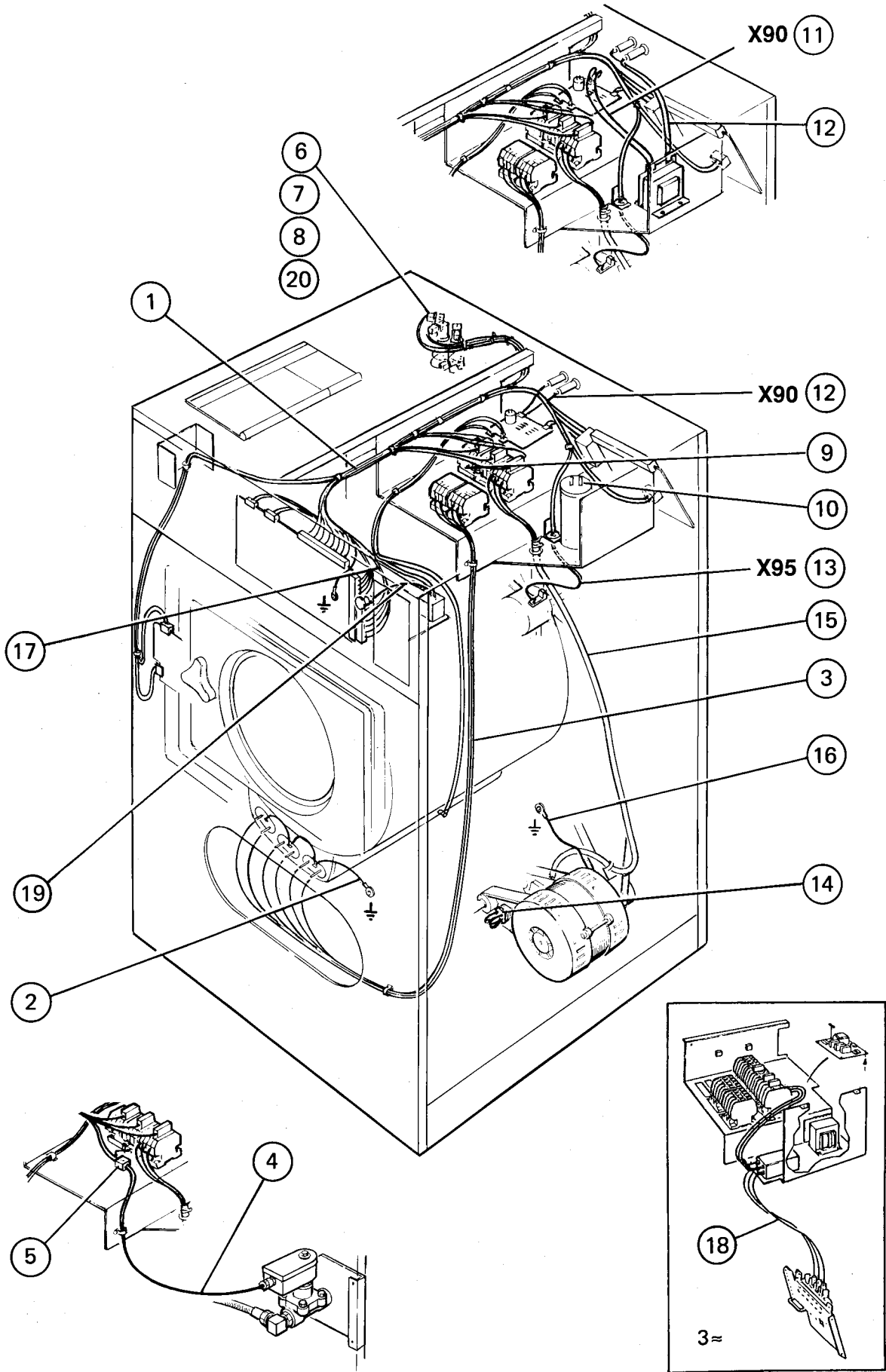
FL185

Cables

Câble

Illustration Issue Month Year
Schéma Issue Month Year
101138 3 3 1996

| Item Article | Qua Qua | Art.No Réf. article | Description | Description | Info Info | Notes Remarques |
|-----------------|------------|------------------------|-------------|-------------|--------------|--|
| 1 | 1 | 438 3089-01 | Cables | Câble | 3 | DOOR LOCK,X70, -92/5065 |
| | 1 | 438 3089-02 | Cables | Câble | 3 | DOOR LOCK,X70, 92/4780- |
| 2 | 1 | 438 3019-22 | Cables | Câble | 3 | GROUND,HEATING ELEMENTS |
| 3 | 1 | 438 3021-31 | Cables | Câble | 3 | 18KW 230V Heating |
| | 1 | 438 3021-30 | Cables | Câble | 3 | 12KW 230V, 18KW 400V 3AC |
| 4 | 1 | 438 3009-07 | Cables | Câble | 3 | K21,X77, -95/11023 |
| | 1 | 438 3009-52 | Cables | Câble | 3 | X77 NON-HEATED, 95/11024- |
| | 1 | 438 3009-53 | Cables | Câble | 3 | X77 HEATED, 95/11024- |
| 5 | 1 | 438 3021-05 | Cables | Câble | 3 | HEATING,DS |
| 6 | 1 | 438 3009-20 | Cables | Câble | 3 | THERMOSTAT ,X80 |
| 7 | 1 | 438 3009-30 | Cables | Câble | 3 | COLD WATER,X72 |
| 8 | 1 | 438 3009-31 | Cables | Câble | 3 | HOT WATER,X73 |
| 9 | 1 | 438 3019-53 | Cables | Câble | 3 | COLD HARD WATER,X74 |
| 10 | 1 | 438 3019-29 | Cables | Câble | 3 | DRAIN VALVE,WATER CONTROLLED |
| | 1 | 438 3019-68 | Cables | Câble | 3 | DRAIN VALVE,EL. CONTROLLED |
| 11 | 1 | 438 3014-50 | Cables | Câble | 3 | MOTOR RELAY,NEUTRAL SIDE |
| 12 | 1 | 438 3010-13 | Cables | Câble | 3 | EXTRA CAPACITOR |
| 13 | 1 | 438 3082-13 | Cables | Câble | 3 | 2-pole trafo-trafo TRAFO/ROTATION GUARD -94/9531 |
| | 1 | 438 3009-09 | Cables | Câble | 3 | X90 94/9532-95/11023 |
| | 1 | 438 3082-13 | Cables | Câble | 3 | 2-pole trafo-trafo X90 95/11024- |
| 14 | 1 | 438 3082-11 | Cables | Câble | 3 | 2-POLE TRAF0 IN,X80 ROT, GUARD-PCB,X82 -94/11023 |
| 15 | 1 | 438 3009-50 | Cables | Câble | 3 | X91-X82 95/11024- |
| | 1 | 438 3009-08 | Cables | Câble | 3 | ROTATION GUARD, X90 -94/9531 |
| | 1 | 438 3009-10 | Cables | Câble | 3 | X90 94/9532-95/11023 |
| | 1 | 438 3009-08 | Cables | Câble | 3 | X90 95/11024- |
| 16 | 1 | 438 3009-02 | Cables | Câble | 3 | REVERSER,X76 |
| 17 | 1 | 438 3082-51 | Cables | Câble | 3 | ROTATION GUARD, X96 -95/12625 |
| | 1 | 438 3082-73 | Cables | Câble | 3 | ROTATION GUARD, X96 95/12626- |
| 18 | 1 | 438 3083-01 | Cables | Câble | 3 | ROTATION GUARD-PC-BOARD.X75 |
| 19 | 1 | 438 3083-02 | Cables | Câble | 3 | SENSOR,X95 |
| 20 | 1 | 471 8748-01 | Cables | Câble | 3 | 230V MOTOR PLUG |
| | 1 | 471 8748-02 | Cables | Câble | 3 | 400V MOTOR PLUG |
| 21 | 1 | 438 3014-21 | Cables | Câble | 3 | MOTOR START RELAY, -92/4779 |
| | 1 | 438 3014-22 | Cables | Câble | 3 | MOTOR START RELAY, 92/4780- |
| | 1 | 438 3014-23 | Cables | Câble | 3 | MOTOR 3AC |
| 22 | 1 | 438 3019-23 | Cables | Câble | 3 | GROUND,MOTOR/FRAME |
| 23 | 1 | 438 3009-28 | Cables | Câble | 3 | MAIN HARNESS,X78,X79,X81, ETC |
| 24 | 1 | 438 3014-13 | Cables | Câble | 3 | LC-FILTER 3AC, 94/9532- |
| | 1 | 438 3014-12 | Cables | Câble | 3 | LC-FILTER 3AC TRAF0, 94/9532- |
| 25 | | | | | | Not used |
| 26 | | | | | | Not used |



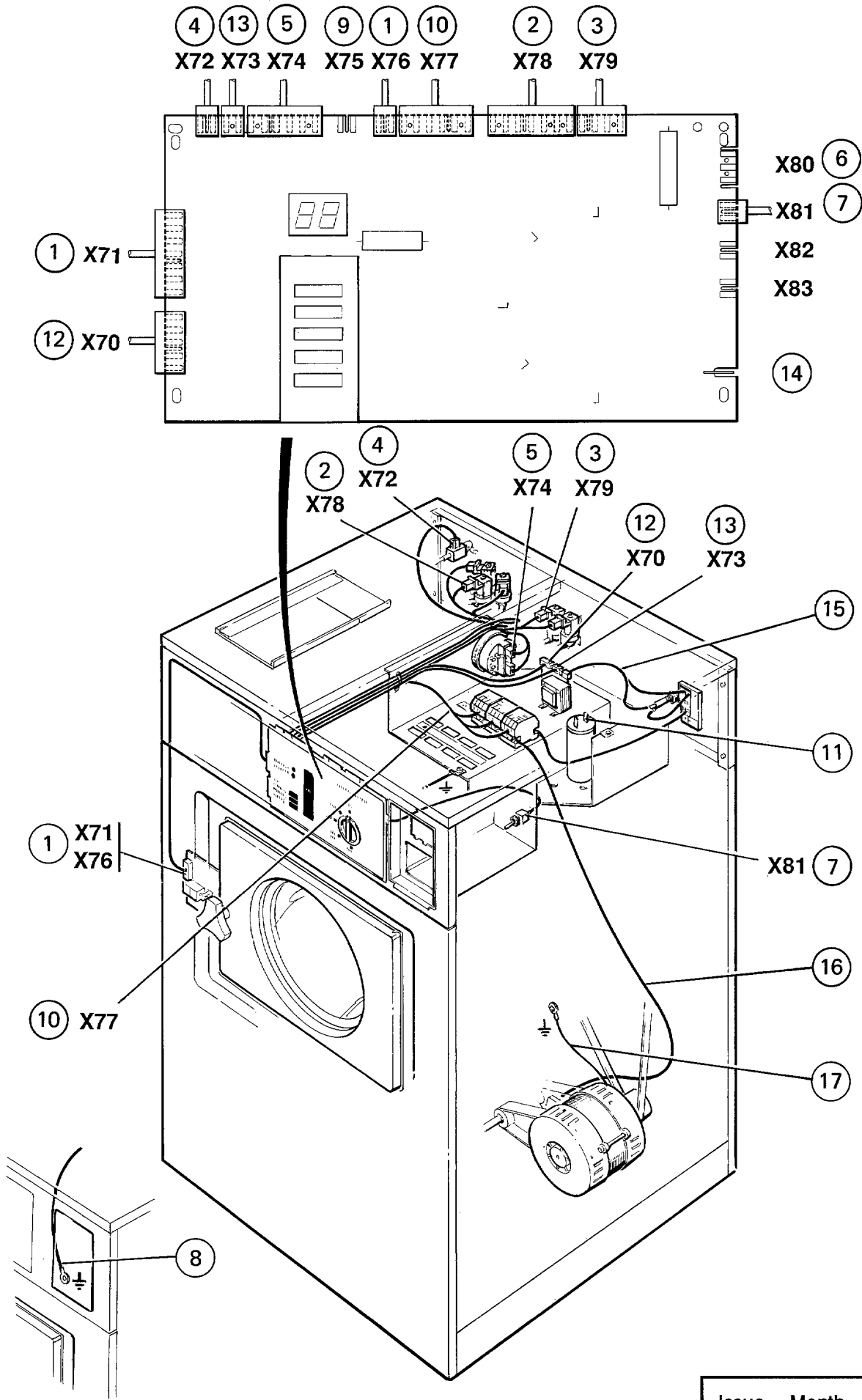
FL185 HI-TEK

Cables

Câble

Illustration Issue Month Year
Schéma Issue Month Year
101139 2 9 1995

| Item Article | Qua Qua | Art.No Réf. article | Description | Description | Info Info | Notes Remarques |
|-----------------|------------|------------------------|-------------|-------------|--------------|--|
| 1 | 1 | 438 3009-21 | Cables | Câble | 3 | MAIN HARNESS -92/5065 |
| | 1 | 438 3009-22 | Cables | Câble | 3 | MAIN HARNESS 92/5066-94/9531 |
| 2 | 1 | 438 3009-27 | Cables | Câble | 3 | MAIN HARNESS 94/9532- |
| | 1 | 438 3019-22 | Cables | Câble | 3 | GROUND,HEATING ELEMENTS |
| 3 | 1 | 438 3021-07 | Cables | Câble | 3 | 4,8KW 400V Heating 92/6308- |
| | 1 | 438 3021-32 | Cables | Câble | 3 | 12KW 400V Heating 92/6308- |
| | 1 | 438 3021-30 | Cables | Câble | 3 | 12KW 230V, 18KW 400V 92/6308- |
| 4 | 1 | 438 3021-05 | Cables | Câble | 3 | HEATING,DS |
| 5 | 1 | 438 3021-04 | Cables | Câble | 3 | DS, NEUTRAL HARNESS |
| 6 | 1 | 438 3009-33 | Cables | Câble | 3 | C+H ,WATER CONTROLLED DRAIN |
| | 1 | 438 3009-36 | Cables | Câble | 3 | C+H ,EL. CONTROLLED DRAIN |
| 7 | 1 | 438 3009-35 | Cables | Câble | 3 | C+HD ,WATER CONTR. DRAIN |
| | 1 | 438 3009-38 | Cables | Câble | 3 | C+HD ,EL.CONTROLLED DRAIN |
| 8 | | | | | | Not used |
| 9 | 1 | 438 3014-51 | Cables | Câble | 3 | MOTOR RELAY,NEUTRAL SIDE |
| 10 | 1 | 438 3010-13 | Cables | Câble | 3 | EXTRA CAPACITOR |
| 11 | 1 | 438 3082-13 | Cables | Câble | 3 | 2-pole trafo-trafo TRAFO/ROTATION GUARD |
| 12 | 1 | 438 3009-11 | Cables | Câble | 3 | 2-POLE TRAF0 ROTATION GUARD,X93 |
| 13 | 1 | 438 3083-02 | Cables | Câble | 3 | SENSOR,X95 |
| 14 | 1 | 471 8748-01 | Cables | Câble | 3 | 230V MOTOR PLUG |
| | 1 | 471 8748-02 | Cables | Câble | 3 | 400V MOTOR PLUG |
| 15 | 1 | 438 3014-21 | Cables | Câble | 3 | MOTOR START RELAY, -92/4779 |
| | 1 | 438 3014-22 | Cables | Câble | 3 | MOTOR START RELAY, 92/4780- |
| 16 | 1 | 438 3014-24 | Cables | Câble | 3 | MOTOR 3AC |
| | 1 | 438 3019-23 | Cables | Câble | 3 | GROUND,MOTOR/FRAME |
| 17 | 1 | 438 3009-24 | Cables | Câble | 3 | LOW VOLTAGE -94/9531 |
| 18 | 1 | 438 3009-26 | Cables | Câble | 3 | LOW VOLTAGE 94/9532- |
| | 1 | 438 3014-13 | Cables | Câble | 3 | LC-FILTER 3AC, 94/9532- |
| 19 | 1 | 438 3014-12 | Cables | Câble | 3 | LC-FILTER 3AC TRAF0, 94/9532- |
| | | | | | | Not used |



W185 HI-TEK

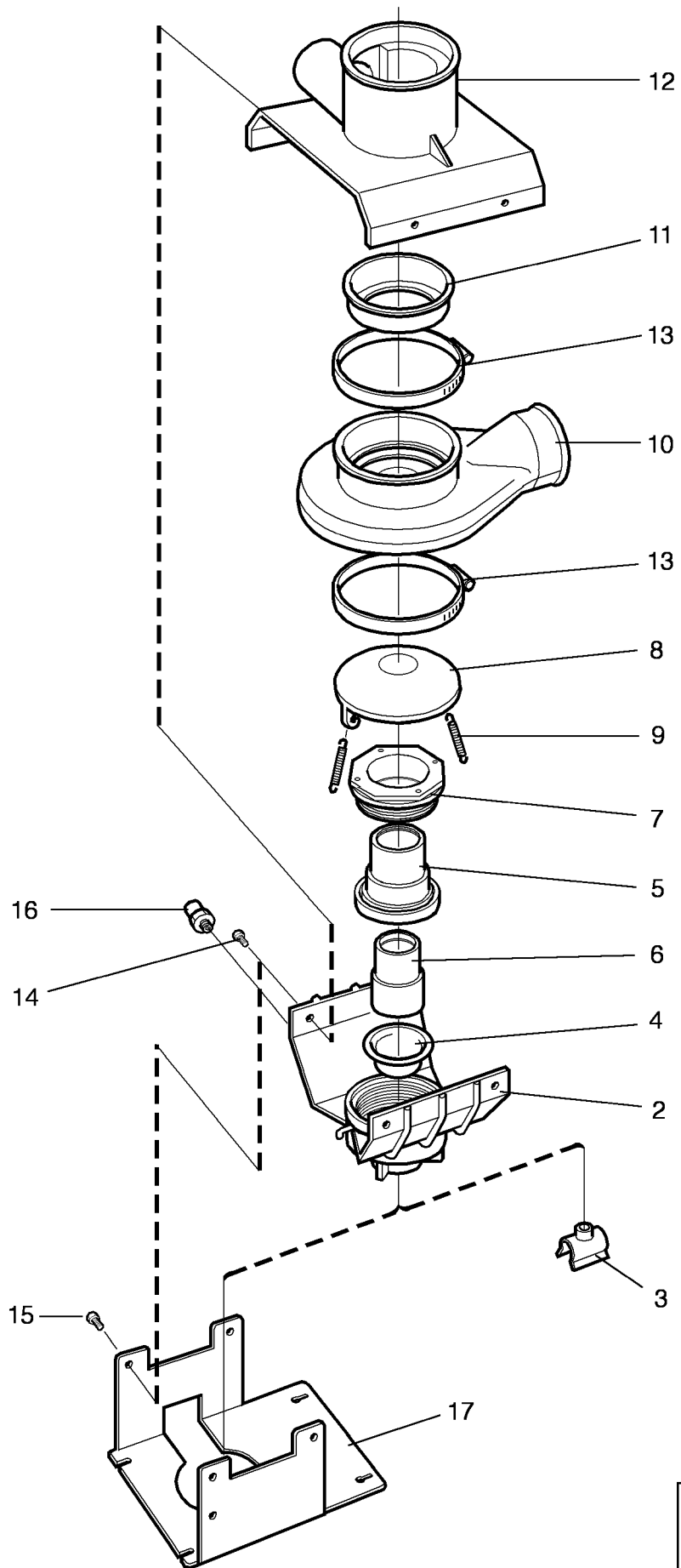
Cables

Câble

Illustration Issue Month Year
Schéma Issue Month Year
101149 2 10 1995

| Item Article | Qua Qua | Art.No Réf. article | Description | Description | Info Info | Notes Remarques |
|-----------------|------------|------------------------|-------------|-------------|--------------|------------------------------|
| 1 | 1 | 438 3030-12 | Cables | Câble | 3 | Door lock, X71 |
| 2 | 1 | 438 3019-55 | Cables | Câble | 3 | COLD WATER,X78 |
| 3 | 1 | 438 3019-52 | Cables | Câble | 3 | HOT WATER,X79 |
| 4 | 1 | 438 3019-29 | Cables | Câble | 3 | DRAIN VALVE,X72 |
| 5 | 1 | 438 3086-06 | Cables | Câble | 3 | LEVEL CONTROL,X74 |
| 6 | 1 | 438 3030-81 | Cables | Câble | 3 | COIN-METER,X80 |
| 7 | 1 | 438 3019-30 | Cables | Câble | 3 | PROGRAMME CONTROL,X81 |
| 8 | 1 | 438 3019-43 | Cables | Câble | 3 | GROUND, GREENWALD |
| 9 | 1 | 471 4878-33 | Cables | Câble | 3 | MANUAL START,X75 |
| 10 | 1 | 438 3019-83 | Cables | Câble | 3 | MOTOR-RELAY,X77 |
| | 1 | 438 3014-52 | Cables | Câble | 3 | MOTOR-RELAY, NEUTRAL SIDE |
| 11 | 1 | 438 3010-13 | Cables | Câble | 3 | EXTRA CAPACITOR |
| 12 | 1 | 438 3085-03 | Cables | Câble | 3 | TRAFO,X70 |
| 13 | 1 | 438 3082-14 | Cables | Câble | 3 | X73 |
| 14 | 1 | 438 3019-48 | Cables | Câble | 3 | Ground |
| 15 | 1 | 438 3009-11 | Cables | Câble | 3 | 2-POLE TRAFO TRAFO |
| 16 | 1 | 438 3014-21 | Cables | Câble | 3 | MOTOR WITH RELAY -93/4779 |
| | 1 | 438 3014-22 | Cables | Câble | 3 | MOTOR WITH RELAY 93/4780- |
| 17 | 1 | 438 3014-23 | Cables | Câble | 3 | MOTOR 3AC |
| | 1 | 438 3019-23 | Cables | Câble | 3 | Ground |

1



100771

| Issue | Month | Year |
|-------|-------|------|
| 03 | 10 | 95 |

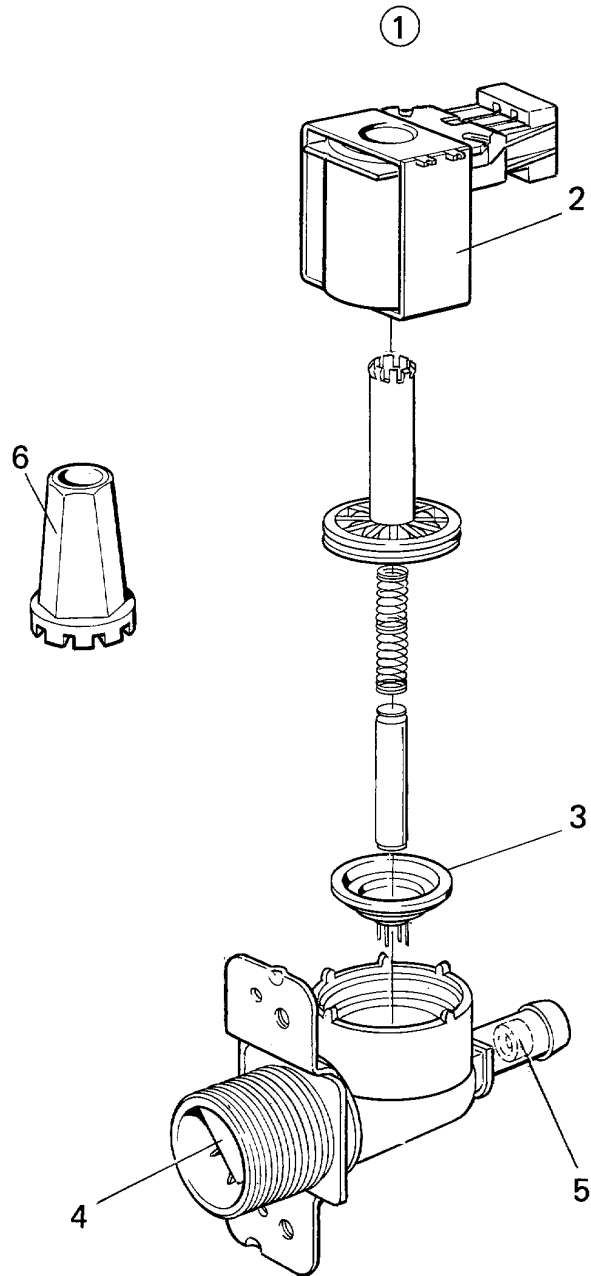
W185,W185 EMERALD,W185 HI-TEK,SE185,FL185,FL185 HI-TEK

Drain valve

Purgeur

Illustration Issue Month Year
Schéma Issue Month Year
100771/3 7 10 2002

| Item Article | Qua Qua | Art.No Réf. article | Description | Description | Info Info | Notes Remarques |
|-----------------|------------|------------------------|------------------|-----------------------|--------------|---------------------|
| 1 | 1 | 438 0093-01 | Drain valve | Purgeur | 1,2 | Complete |
| | 1 | 438 0093-05 | Drain valve | Purgeur | 1,2 | Complete |
| 2 | 1 | 438 0051-01 | •Lower frame | •Châssis inférieur | 3 | |
| 3 | 1 | 438 0085-01 | •Clip | •Colliers de serrage | 3 | |
| 4 | 1 | 471 8195-01 | •Diaphragm | •Diaphragme | 1 | |
| 5 | 1 | 438 0053-01 | •Housing | •Logement | 3 | |
| 6 | 1 | 438 0054-01 | •Piston | •Piston | 3 | |
| 7 | 1 | 438 0055-01 | •Gland | •Presse-étoupe | 3 | |
| 8 | 1 | 438 0052-01 | •Cover | •Couvercle | 3 | |
| 9 | 2 | 471 7801-07 | •Spring | •Ressort | 3 | Not in 438 00 93-05 |
| 10 | 1 | 438 0028-01 | •Hose housing | •Logement de flexible | 1 | |
| 11 | 1 | 472 6012-00 | •Rubber ring | •Rondelle caoutchouc | 3 | |
| 12 | 1 | 472 6011-00 | •Hose connection | •Connexion flexible | 3 | |
| 13 | 1 | 471 7851-02 | •Hose clamp | •Attache flexible | 3 | |
| 14 | 4 | 471 8317-05 | •Screw | •Vis | 3 | |
| 15 | 1 | 471 8688-13 | •Nipple | •Raccord | 3 | 1/8" |



100799

| Issue | Month | Year |
|-------|-------|------|
| 01 | 12 | 89 |

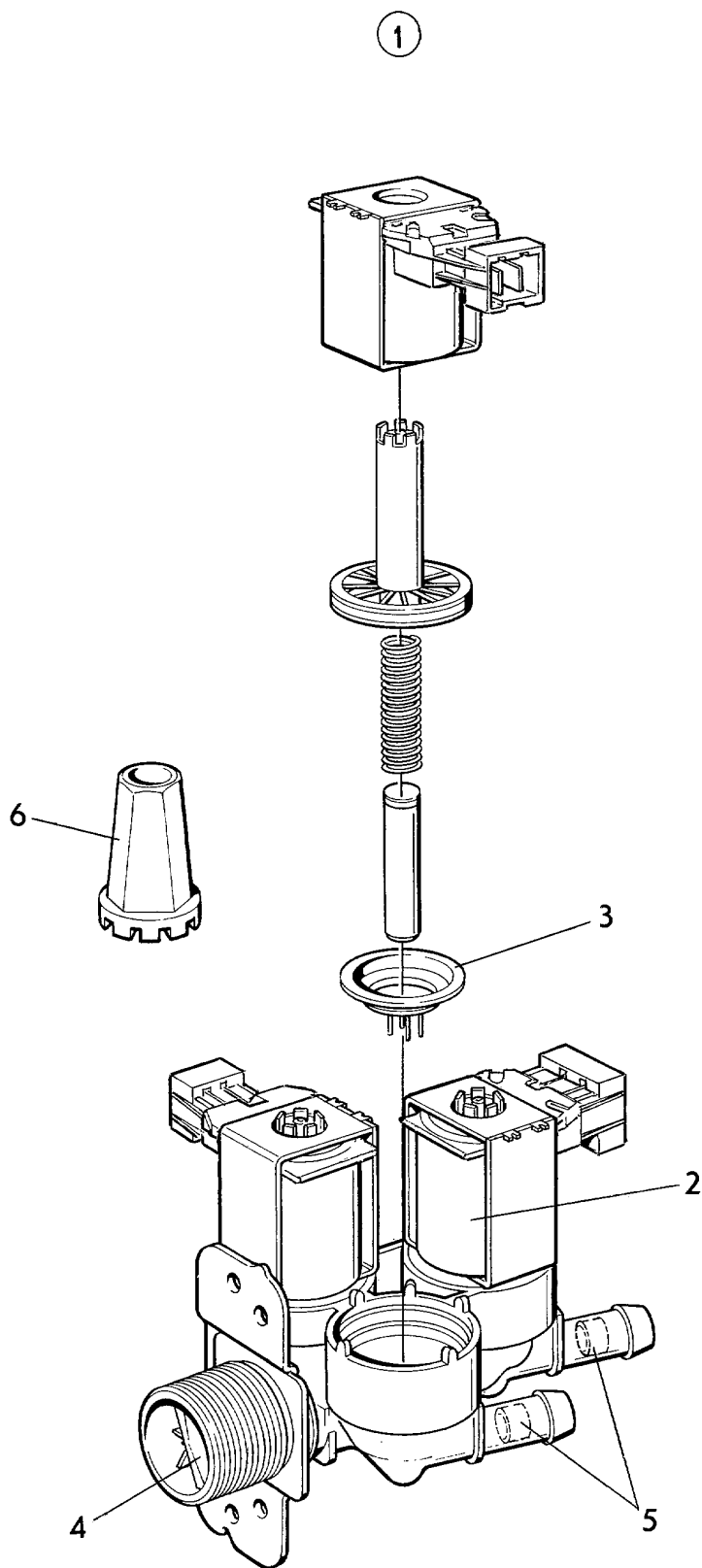
W185,SE185,FL185

Inlet valve 3/4", 1-way

Soupape de admission 3/4", 1 voie

Illustration Issue Month Year
Schéma Issue Month Year
100799/1 4 10 2002

| Item Article | Qua Qua | Art.No Réf. article | Description | Description | Info Info | Notes Remarques |
|-----------------|------------|------------------------|-------------|---------------------|--------------|----------------------------------|
| 1 | 1 | 471 8234-51 | Valve | Soupape | 1,2 | 208-240V Restriction 5,5l/min |
| | 1 | 471 8234-52 | Valve | Soupape | 1,2 | 208-240V 60Hz |
| | 1 | 471 8234-53 | Valve | Soupape | 1,2 | 120V 60Hz |
| | 1 | 471 8234-56 | Valve | Soupape | 1,2 | 208-240V Restriction 10l/min |
| | 1 | 471 8234-58 | Valve | Soupape | 1,2 | 208-240V |
| 2 | 1 | 471 6860-15 | •Coil | •Bobine | 1,2 | 120V Green |
| | 1 | 471 6860-16 | •Coil | •Bobine | 1,2 | 120V Orange |
| | 1 | 471 6860-17 | •Coil | •Bobine | 1,2 | 120V White |
| | 1 | 471 6860-18 | •Coil | •Bobine | 1,2 | Green |
| | 1 | 471 6860-19 | •Coil | •Bobine | 1,2 | Orange |
| | 1 | 471 6860-20 | •Coil | •Bobine | 1,2 | White |
| 3 | 1 | 471 8234-98 | •Diaphragm | •Diaphragme | 1,2 | NITRIL |
| | 1 | 471 8234-92 | •Diaphragm | •Diaphragme | 1,2 | EPDM |
| 4 | 1 | 471 8234-94 | •Filter | •Filtre | 1 | |
| 5 | 1 | 471 8234-95 | •Restrictor | •Réducteur de débit | 3 | 2,5l/min |
| | 1 | 471 8234-96 | •Restrictor | •Réducteur de débit | 3 | 5,5l/min |
| 6 | 1 | 471 4792-01 | Tool | Outil | 3 | |



100797

| Issue | Month | Year |
|-------|-------|------|
| 01 | 12 | 89 |

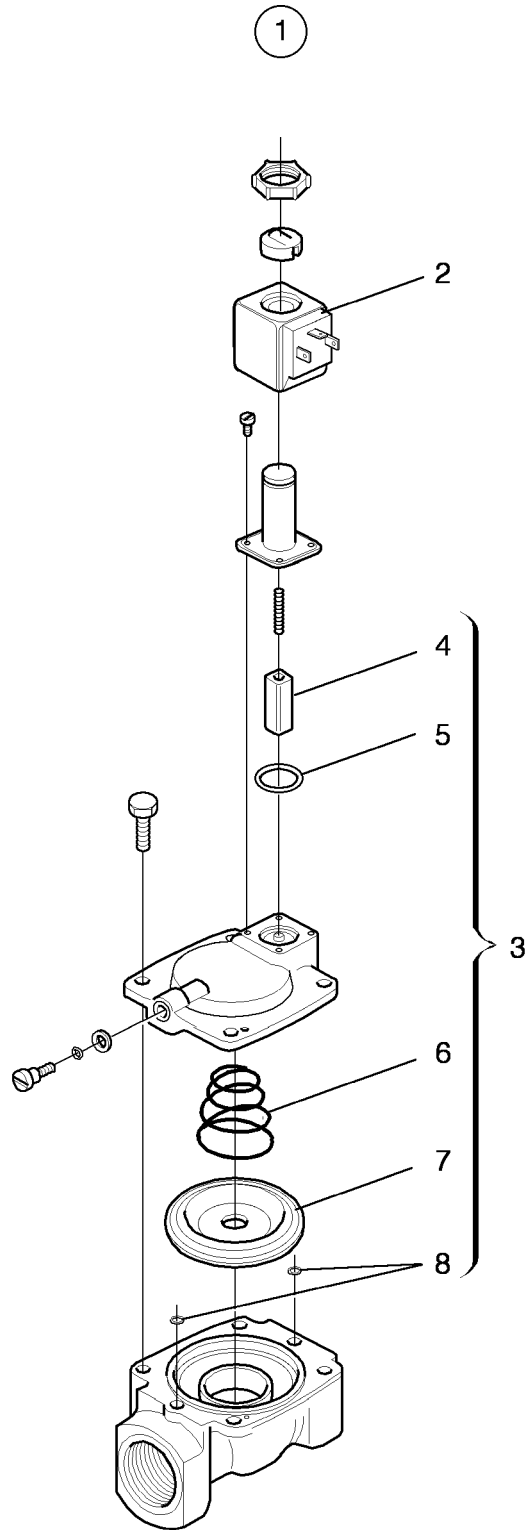
W185,FL185,FL185 HI-TEK

Inlet valve 3/4", 3-way

Soupape de admission 3/4", 3 voies

Illustration Issue Month Year
Schéma Issue Month Year
100797/1 6 10 2002

| Item Article | Qua Qua | Art.No Réf. article | Description | Description | Info Info | Notes Remarques |
|-----------------|------------|------------------------|--------------------|---------------------|--------------|--|
| 1 | 1 | 471 8236-52 | Valve | Soupape | 1,2 | 208-240V Restriction 5,5/-/l/min |
| | 1 | 471 8236-53 | Valve | Soupape | 1,2 | 240V 60Hz 3-way USA Restriction 5,5/-/l/min |
| | 1 | 471 8236-54 | Valve | Soupape | 1,2 | 120V 60Hz 3-way USA Restriction 5,5/-/l/min |
| | 1 | 471 8236-59 | Valve | Soupape | 1,2 | 3-way |
| | 1 | 471 8236-66 | Valve | Soupape | 1,2 | EPDM 2, 120V 60Hz 3-way Restriction -/5,5 l/min |
| | 2 | 1 | 471 6860-15 | •Coil | •Bobine | 1,2 |
| 1 | | 471 6860-16 | •Coil | •Bobine | 1,2 | 120V Orange |
| 1 | | 471 6860-17 | •Coil | •Bobine | 1,2 | 120V White |
| 1 | | 471 6860-18 | •Coil | •Bobine | 1,2 | Green |
| 1 | | 471 6860-19 | •Coil | •Bobine | 1,2 | Orange |
| 1 | | 471 6860-20 | •Coil | •Bobine | 1,2 | White |
| 3 | 1 | 471 8234-98 | •Diaphragm | •Diaphragme | 1,2 | NITRIL |
| | 1 | 471 8234-92 | •Diaphragm | •Diaphragme | 1,2 | EPDM USA |
| 4 | 1 | 471 8234-94 | •Filter | •Filtre | 1 | |
| 5 | 1 | 471 8234-95 | •Restrictor | •Réducteur de débit | 3 | 2,5l/min |
| | 1 | 471 8234-96 | •Restrictor | •Réducteur de débit | 3 | 5,5l/min |
| 6 | 1 | 471 4792-01 | Tool | Outil | 3 | |



W185,SE185,FL185,FL185 HI-TEK

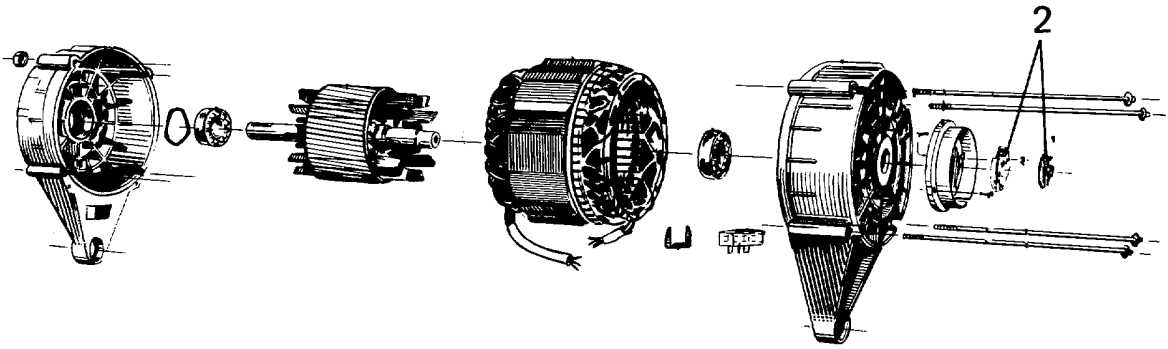
Inlet valve 1/2", 3/4", 1", 1 1/4", 2"

Soupape de admission 1/2", 3/4", 1", 1 1/4", 2"

Illustration Issue Month Year
Schéma Issue Month Year
100568 1 3 1990

| Item Article | Qua Qua | Art.No Réf. article | Description | Description | Info Info | Notes Remarques | |
|--|------------|------------------------|--------------------|------------------------|--------------|-----------------------------|--------------------|
| 1 | 1 | 471 8210-02 | Valve | Soupape | 1,2 | 50Hz Complete | |
| | 1 | 471 8210-63 | Valve | Soupape | 1,2 | 60Hz Complete | |
| | 1 | 471 8210-03 | Valve | Soupape | 1,2 | 1/2 115V 60Hz Complete | |
| | 1 | 471 8210-12 | Valve | Soupape | 1,2 | 3/4" 220-240V 50Hz COMPL.AO | |
| | 1 | 471 8210-11 | Valve | Soupape | 1,2 | 3/4" 208-230V 60Hz Complete | |
| | 1 | | Valve | Soupape | 1,2 | 3/4" 115V 60Hz Complete | |
| | 1 | 471 8210-22 | Valve | Soupape | 1,2 | 220-240V 50Hz Complete | |
| | 1 | 471 8210-23 | Valve | Soupape | 1,2 | 1 220V 50/60Hz Complete | |
| | 1 | 471 8210-21 | Valve | Soupape | 1,2 | 208-230V 60Hz Complete | |
| | 1 | | Valve | Soupape | 1,2 | 3/4" 115V 60Hz Complete | |
| | 1 | 471 8210-32 | Valve | Soupape | 1,2 | 50Hz Complete | |
| | 1 | 471 8210-31 | Valve | Soupape | 1,2 | 60Hz Complete | |
| | 1 | | Valve | Soupape | 1,2 | 3/4" 115V 60Hz Complete | |
| | 1 | 471 8210-52 | Valve | Soupape | 1,2 | 2", 50Hz Complete | |
| | 1 | 471 8210-51 | Valve | Soupape | 1,2 | 2", 60Hz Complete | |
| | 2 | 1 | 471 6657-15 | •Coil | •Bobine | 1,2 | 50Hz 220-240V 50Hz |
| | | 1 | 471 6657-16 | •Coil | •Bobine | 1,2 | 60Hz |
| | | 1 | 471 6657-17 | •Coil | •Bobine | 1,2 | 115V 60Hz |
| 3 | 1 | 471 6657-18 | •Repair kit | •Kit reconditionnement | 1,2 | 1/2" | |
| | 1 | 471 6657-19 | •Repair kit | •Kit reconditionnement | 1,2 | 3/4" | |
| | 1 | 471 6657-20 | •Repair kit | •Kit reconditionnement | 1,2 | 1" | |
| | 1 | 471 6657-21 | •Repair kit | •Kit reconditionnement | 1,2 | 1 1/4" 1 1/4" | |
| 4 5 6 7 8 | 1 | 471 6695-95 | •Repair kit | •Kit reconditionnement | 1,2 | 2" | |
| | | | •Plunger | •Bobine mobile | | | |
| | | | •O-ring | •Joint torique | | | |
| | | | •Spring | •Ressort | | | |
| | | | •Diaphragm | •Diaphragme | | | |
| | | •O-ring | •Joint torique | | | | |

1



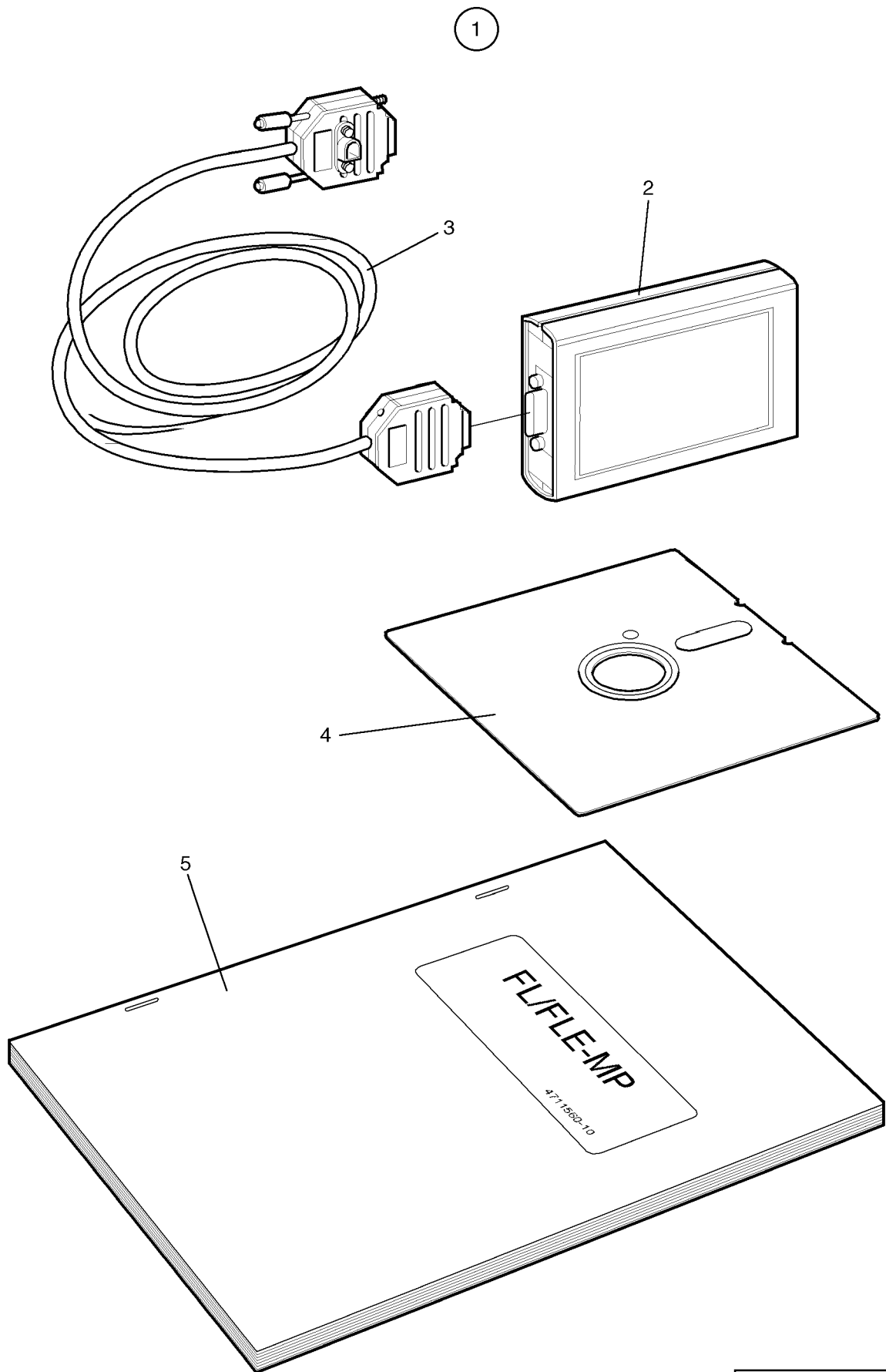
W185,W185 EMERALD,W185 HI-TEK,SE185,FL185,FL185 HI-TEK

Motor

Moteur

Illustration Issue Month Year
Schéma Issue Month Year
100582/1 11 8 1993

| Item Article | Qua Qua | Art.No Réf. article | Description | Description | Info Info | Notes Remarques |
|-----------------|------------|------------------------|--------------------|-------------|--------------|----------------------|
| 1 | 1 | 471 9739-02 | Motor | Moteur | 1,2 | 208-240V 3AC 60Hz |
| | 1 | 471 9739-57 | Motor | Moteur | 1,2 | 208-240V 1~60Hz, |
| | 1 | 471 9739-13 | Motor | Moteur | 1,2 | 440V 3~50Hz |
| | 1 | 471 9716-01 | Motor | Moteur | 1,2 | 440-480V 3~60Hz |
| | 1 | 471 9716-06 | Motor | Moteur | 1,2 | 380-415V 3~50Hz |
| | 1 | 471 9716-08 | Motor | Moteur | 1,2 | 220/380V 3/3N~50Hz |
| | 1 | 471 9716-09 | Motor | Moteur | 1,2 | 220V 1~50Hz |
| | 1 | 471 9716-34 | Motor | Moteur | 1,2 | 190V 3~50Hz,T |
| | 1 | 471 9716-57 | Motor | Moteur | 1,2 | 208-240V 1~60Hz |
| | 1 | 471 9716-52 | Motor | Moteur | 1,2 | 380-415V/220V 3~50Hz |
| | 1 | 471 9716-51 | Motor | Moteur | 1,2 | 440-480V 3~60Hz |
| | 1 | 471 9716-54 | Motor | Moteur | 1,2 | 380V 3~60Hz |
| | 1 | 471 9716-39 | Motor | Moteur | 1,2 | 208-240V 1~60Hz |
| | 1 | 471 9716-36 | Motor | Moteur | 1,2 | 200V 3~60Hz |
| | 1 | 471 9716-32 | Motor | Moteur | 1,2 | 240V 1AC 50Hz |
| | 1 | 471 9716-56 | Motor | Moteur | 1,2 | 380-415V 3~50Hz |
| | 2 | 1 | 471 9716-02 | Motor | Moteur | 1,2 |
| 1 | | 471 6750-95 | Switch | Commutateur | 1 | |



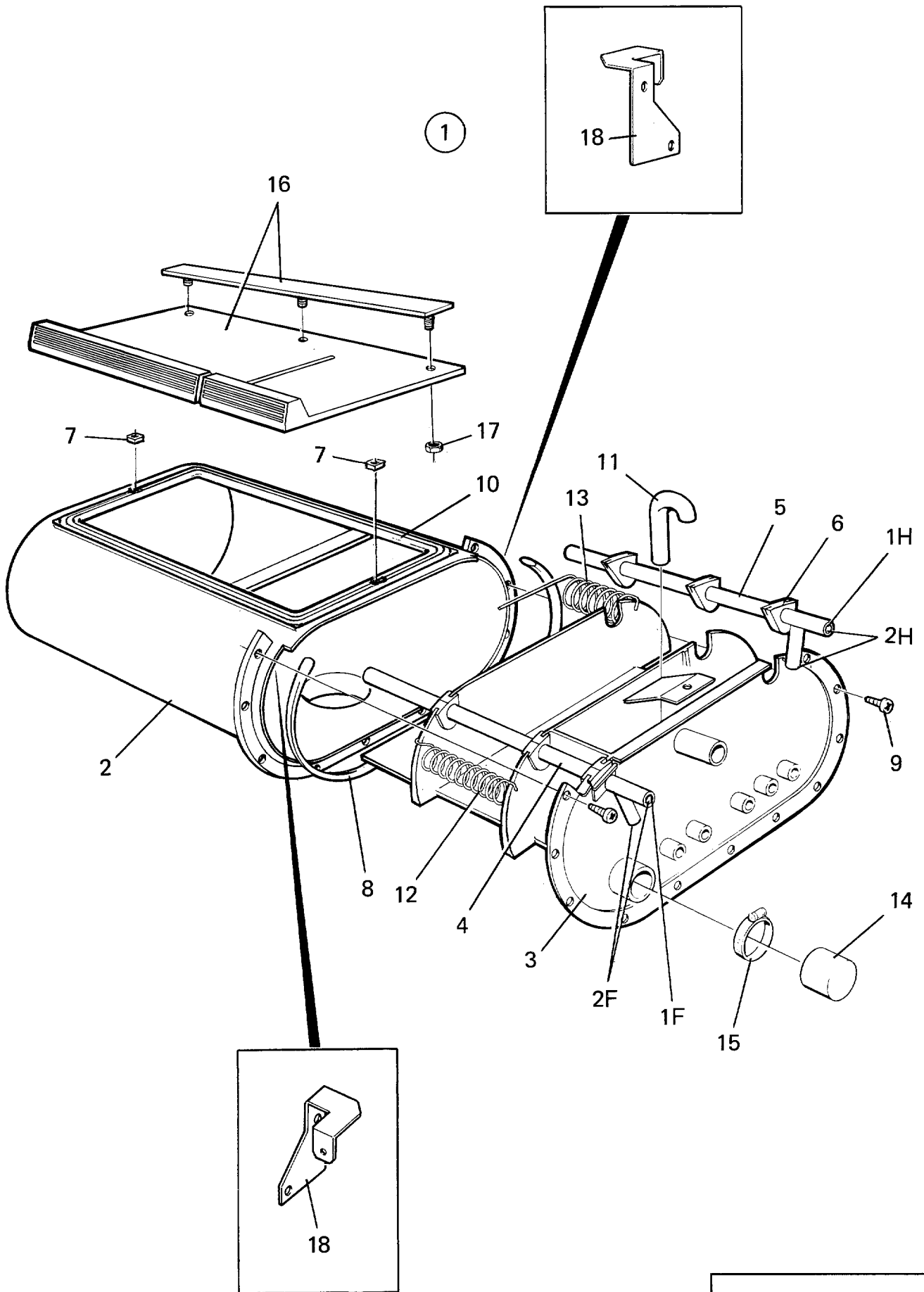
FL185 HI-TEK

Memory cartridge complete

Cassette de mémoire complet

Illustration Issue Month Year
Schéma Issue Month Year
100826 4 1 1992

| Item Article | Qua Qua | Art.No Réf. article | Description | Description | Info Info | Notes Remarques |
|-----------------|------------|------------------------|---------------------|-----------------------|--------------|--------------------|
| 1 | 1 | 472 9900-27 | Memory cartridge | Cassette de mémoire | 3 | Swedish |
| | 1 | 472 9900-28 | Memory cartridge | Cassette de mémoire | 3 | English |
| | 1 | 472 9900-29 | Memory cartridge | Cassette de mémoire | 3 | German |
| | 1 | 472 9900-30 | Memory cartridge | Cassette de mémoire | 3 | French |
| | 1 | 472 9900-31 | Memory cartridge | Cassette de mémoire | 3 | Norwegian |
| | 1 | 472 9900-52 | Memory cartridge | Cassette de mémoire | 3 | Danish |
| | 1 | 472 9900-53 | Memory cartridge | Cassette de mémoire | 3 | Spanish |
| | 1 | 472 9900-54 | Memory cartridge | Cassette de mémoire | 3 | Finnish |
| | 1 | 472 9900-76 | Memory cartridge | Cassette de mémoire | 3 | Dutch |
| | 2 | 1 | 471 8980-01 | •Cassette | •Cassette | 3 |
| 3 | 1 | 471 7468-01 | •Cable | •Câble | 3 | |
| 4 | 1 | 471 9533-02 | •Diskette | •Disquette | 3 | |
| 5 | 1 | 471 1560-10 | •Instruction manual | •Manuel d'utilisation | 3 | Swedish |
| | 1 | 471 1560-11 | •Instruction manual | •Manuel d'utilisation | 3 | English |
| | 1 | 471 1560-12 | •Instruction manual | •Manuel d'utilisation | 3 | German |
| | 1 | 471 1560-13 | •Instruction manual | •Manuel d'utilisation | 3 | French |
| | 1 | 471 1560-14 | •Instruction manual | •Manuel d'utilisation | 3 | Spanish |
| | 1 | 471 1560-15 | •Instruction manual | •Manuel d'utilisation | 3 | Danish |
| | 1 | 471 1560-16 | •Instruction manual | •Manuel d'utilisation | 3 | Finnish |
| | 1 | 471 1560-17 | •Instruction manual | •Manuel d'utilisation | 3 | Norwegian |
| | 1 | 471 1560-18 | •Instruction manual | •Manuel d'utilisation | 3 | Dutch |



W185,W185 EMERALD,W185 HI-TEK,SE185,FL185,FL185 HI-TEK

Detergent container

Illustration Issue Month Year
Schéma Issue Month Year
101367 9 4 1995

Compartment à savon

| Item Article | Qua Qua | Art.No Réf. article | Description | Description | Info Info | Notes Remarques |
|-----------------|------------|------------------------|---------------------|---------------------|--------------|-------------------------|
| 1 | | | | | | WITH SCREW IN TOP PANEL |
| | 1 | 472 6001-54 | Detergent container | Compartment à savon | 1,2 | 1F-1H |
| 2 | 1 | 472 6002-05 | •Shell | •Pression coque | 1 | |
| 3 | 1 | 472 6003-04 | •Box | •Boîtier | 1 | |
| 4 | 1 | 472 6005-10 | •Spray head | •Vaporisateur | 1 | 1F 1F |
| 5 | 1 | 472 6005-01 | •Spray head | •Vaporisateur | 1 | 1H 1H |
| 6 | 6 | 472 6004-01 | •Grommet | •Oeillet | 1 | |
| 7 | 2 | 471 8401-01 | •Nut | •Écrou | 3 | M4 |
| 8 | 1 | 471 8163-01 | •Gasket | •Joint | 1,2 | |
| 9 | 11 | 471 8346-01 | •Screw | •Vis | 3 | |
| 10 | 1 | 438 0460-02 | •Gasket | •Joint | 3 | |
| 11 | 1 | 472 6006-01 | •Siphon | •Siphon | 1,2 | |
| 12 | 1 | 471 7809-02 | •Spring | •Ressort | 1 | |
| 13 | 1 | 471 7808-02 | •Spring | •Ressort | 1 | |
| 14 | 1 | 471 8644-03 | Hood | Capot | 3 | |
| 15 | 1 | 736 2828-51 | Hose clamp | Attache flexible | 3 | |
| 16 | 1 | 472 9902-59 | Cover | Couvercle | 1,2 | |
| 17 | 3 | 731 2314-42 | •Nut | •Écrou | 3 | M4 |
| 18 | 2 | 438 4139-01 | Bracket | Support de montage | 3 | W/FL 184-244 |

Numerical index/Numerical index

| Art.No/Réf. article | Page/Page | Art.No/Réf. article | Page/Page | Art.No/Réf. article | Page/Page | Art.No/Réf. article | Page/Page |
|---------------------|-----------|---------------------|-----------|---------------------|-----------|---------------------|-----------|
| 436 2840-51 | 17 | 438 0144-01 | 11 | 438 0353-01 | 25 | 438 3009-30 | 75 |
| 438 0006-72 | 35 | 438 0145-12 | 51 | 438 0353-01 | 29 | 438 3009-31 | 75 |
| 438 0006-72 | 47 | 438 0145-12 | 53 | 438 0354-01 | 21 | 438 3009-33 | 77 |
| 438 0006-74 | 45 | 438 0145-12 | 55 | 438 0354-01 | 25 | 438 3009-35 | 77 |
| 438 0006-76 | 43 | 438 0145-12 | 57 | 438 0354-01 | 29 | 438 3009-36 | 77 |
| 438 0006-77 | 37 | 438 0145-12 | 59 | 438 0354-02 | 21 | 438 3009-38 | 77 |
| 438 0006-78 | 39 | 438 0145-12 | 61 | 438 0354-02 | 25 | 438 3009-50 | 75 |
| 438 0006-79 | 41 | 438 0145-12 | 63 | 438 0354-02 | 29 | 438 3009-52 | 75 |
| 438 0014-01 | 15 | 438 0145-12 | 67 | 438 0355-01 | 21 | 438 3009-53 | 75 |
| 438 0016-03 | 15 | 438 0150-01 | 9 | 438 0355-01 | 25 | 438 3010-10 | 31 |
| 438 0016-06 | 15 | 438 0152-01 | 37 | 438 0355-01 | 29 | 438 3010-13 | 31 |
| 438 0027-01 | 7 | 438 0164-04 | 35 | 438 0356-48 | 9 | 438 3010-13 | 33 |
| 438 0028-01 | 81 | 438 0167-01 | 19 | 438 0356-49 | 9 | 438 3010-13 | 69 |
| 438 0039-01 | 35 | 438 0168-02 | 19 | 438 0356-50 | 9 | 438 3010-13 | 71 |
| 438 0039-01 | 43 | 438 0182-03 | 11 | 438 0358-02 | 21 | 438 3010-13 | 73 |
| 438 0039-01 | 45 | 438 0183-03 | 11 | 438 0358-02 | 25 | 438 3010-13 | 75 |
| 438 0039-01 | 47 | 438 0184-01 | 11 | 438 0358-02 | 29 | 438 3010-13 | 77 |
| 438 0040-01 | 35 | 438 0185-01 | 7 | 438 0359-01 | 25 | 438 3010-13 | 79 |
| 438 0040-01 | 47 | 438 0233-01 | 9 | 438 0359-01 | 29 | 438 3014-02 | 69 |
| 438 0051-01 | 81 | 438 0233-01 | 35 | 438 0363-01 | 27 | 438 3014-03 | 31 |
| 438 0052-01 | 81 | 438 0233-01 | 39 | 438 0363-01 | 29 | 438 3014-03 | 33 |
| 438 0053-01 | 81 | 438 0233-01 | 41 | 438 0364-01 | 45 | 438 3014-11 | 73 |
| 438 0054-01 | 81 | 438 0233-01 | 47 | 438 0384-01 | 17 | 438 3014-12 | 69 |
| 438 0055-01 | 81 | 438 0237-01 | 9 | 438 0390-01 | 9 | 438 3014-12 | 73 |
| 438 0056-03 | 17 | 438 0239-01 | 11 | 438 0413-01 | 13 | 438 3014-12 | 75 |
| 438 0056-03 | 51 | 438 0241-02 | 7 | 438 0425-01 | 29 | 438 3014-12 | 77 |
| 438 0056-03 | 53 | 438 0249-01 | 7 | 438 0439-01 | 21 | 438 3014-13 | 69 |
| 438 0056-03 | 59 | 438 0253-20 | 53 | 438 0456-01 | 13 | 438 3014-13 | 73 |
| 438 0056-03 | 61 | 438 0253-20 | 55 | 438 0457-01 | 13 | 438 3014-13 | 75 |
| 438 0056-03 | 63 | 438 0253-20 | 61 | 438 0458-01 | 13 | 438 3014-13 | 77 |
| 438 0056-03 | 67 | 438 0253-20 | 63 | 438 0459-01 | 13 | 438 3014-17 | 33 |
| 438 0056-04 | 17 | 438 0253-20 | 65 | 438 0460-01 | 9 | 438 3014-21 | 31 |
| 438 0056-04 | 51 | 438 0253-20 | 67 | 438 0460-02 | 93 | 438 3014-21 | 69 |
| 438 0056-04 | 53 | 438 0253-25 | 57 | 438 0462-01 | 11 | 438 3014-21 | 71 |
| 438 0056-04 | 55 | 438 0253-25 | 59 | 438 2806-01 | 49 | 438 3014-21 | 73 |
| 438 0056-04 | 57 | 438 0257-01 | 11 | 438 2806-02 | 49 | 438 3014-21 | 75 |
| 438 0056-04 | 59 | 438 0267-01 | 13 | 438 2806-03 | 49 | 438 3014-21 | 77 |
| 438 0056-04 | 61 | 438 0271-01 | 7 | 438 2806-11 | 49 | 438 3014-21 | 79 |
| 438 0056-04 | 63 | 438 0271-02 | 7 | 438 2806-12 | 49 | 438 3014-22 | 31 |
| 438 0056-04 | 67 | 438 0271-03 | 7 | 438 2806-20 | 49 | 438 3014-22 | 33 |
| 438 0059-01 | 11 | 438 0271-04 | 7 | 438 2901-01 | 35 | 438 3014-22 | 69 |
| 438 0060-01 | 11 | 438 0271-05 | 7 | 438 2901-01 | 49 | 438 3014-22 | 71 |
| 438 0061-01 | 11 | 438 0271-07 | 7 | 438 2901-02 | 49 | 438 3014-22 | 73 |
| 438 0071-01 | 41 | 438 0277-01 | 17 | 438 2901-15 | 49 | 438 3014-22 | 75 |
| 438 0072-01 | 41 | 438 0278-01 | 17 | 438 2904-01 | 49 | 438 3014-22 | 77 |
| 438 0076-01 | 35 | 438 0279-01 | 17 | 438 2906-02 | 49 | 438 3014-22 | 79 |
| 438 0076-01 | 47 | 438 0281-01 | 7 | 438 2912-01 | 49 | 438 3014-23 | 31 |
| 438 0078-01 | 9 | 438 0282-19 | 9 | 438 3009-02 | 75 | 438 3014-23 | 33 |
| 438 0083-01 | 17 | 438 0282-20 | 9 | 438 3009-07 | 75 | 438 3014-23 | 69 |
| 438 0084-01 | 17 | 438 0282-21 | 9 | 438 3009-08 | 75 | 438 3014-23 | 73 |
| 438 0084-02 | 17 | 438 0282-22 | 9 | 438 3009-09 | 75 | 438 3014-23 | 75 |
| 438 0085-01 | 81 | 438 0282-23 | 9 | 438 3009-10 | 75 | 438 3014-23 | 79 |
| 438 0093-01 | 17 | 438 0284-01 | 9 | 438 3009-11 | 31 | 438 3014-24 | 71 |
| 438 0093-01 | 81 | 438 0284-02 | 9 | 438 3009-11 | 33 | 438 3014-24 | 77 |
| 438 0093-05 | 81 | 438 0293-01 | 43 | 438 3009-11 | 69 | 438 3014-50 | 75 |
| 438 0127-01 | 51 | 438 0298-02 | 15 | 438 3009-11 | 71 | 438 3014-51 | 77 |
| 438 0127-01 | 53 | 438 0318-01 | 9 | 438 3009-11 | 73 | 438 3014-52 | 79 |
| 438 0127-01 | 55 | 438 0319-01 | 9 | 438 3009-11 | 77 | 438 3014-53 | 31 |
| 438 0127-01 | 57 | 438 0320-01 | 9 | 438 3009-11 | 79 | 438 3014-53 | 33 |
| 438 0127-01 | 59 | 438 0321-01 | 9 | 438 3009-20 | 75 | 438 3014-53 | 71 |
| 438 0127-01 | 61 | 438 0322-01 | 7 | 438 3009-21 | 77 | 438 3019-02 | 69 |
| 438 0127-01 | 63 | 438 0330-01 | 19 | 438 3009-22 | 77 | 438 3019-03 | 69 |
| 438 0127-01 | 67 | 438 0340-01 | 9 | 438 3009-24 | 77 | 438 3019-04 | 31 |
| 438 0138-01 | 35 | 438 0341-02 | 19 | 438 3009-26 | 77 | 438 3019-07 | 69 |
| 438 0138-01 | 47 | 438 0352-70 | 9 | 438 3009-27 | 77 | 438 3019-13 | 69 |
| 438 0143-01 | 11 | 438 0353-01 | 21 | 438 3009-28 | 75 | 438 3019-19 | 31 |

Numerical index/Numerical index

| Art.No/Réf. article | Page/Page | Art.No/Réf. article | Page/Page | Art.No/Réf. article | Page/Page | Art.No/Réf. article | Page/Page |
|---------------------|-----------|---------------------|-----------|---------------------|-----------|---------------------|-----------|
| 438 3019-19 | 33 | 438 3019-83 | 79 | 438 3084-22 | 71 | 471 2094-92 | 53 |
| 438 3019-19 | 69 | 438 3019-84 | 71 | 438 3085-03 | 79 | 471 2094-92 | 55 |
| 438 3019-19 | 71 | 438 3021-04 | 69 | 438 3086-01 | 71 | 471 2094-92 | 57 |
| 438 3019-21 | 69 | 438 3021-04 | 73 | 438 3086-06 | 33 | 471 2094-92 | 59 |
| 438 3019-21 | 71 | 438 3021-04 | 77 | 438 3086-06 | 69 | 471 2094-92 | 61 |
| 438 3019-21 | 73 | 438 3021-05 | 69 | 438 3086-06 | 71 | 471 2094-92 | 63 |
| 438 3019-22 | 69 | 438 3021-05 | 73 | 438 3086-06 | 73 | 471 2094-92 | 65 |
| 438 3019-22 | 73 | 438 3021-05 | 75 | 438 3086-06 | 79 | 471 2094-92 | 67 |
| 438 3019-22 | 75 | 438 3021-05 | 77 | 438 3086-08 | 69 | 471 2095-32 | 13 |
| 438 3019-22 | 77 | 438 3021-07 | 77 | 438 3086-09 | 69 | 471 2098-71 | 9 |
| 438 3019-23 | 31 | 438 3021-30 | 69 | 438 3086-11 | 71 | 471 2401-52 | 13 |
| 438 3019-23 | 33 | 438 3021-30 | 73 | 438 3086-12 | 69 | 471 2416-83 | 13 |
| 438 3019-23 | 69 | 438 3021-30 | 75 | 438 3086-18 | 31 | 471 2425-28 | 17 |
| 438 3019-23 | 73 | 438 3021-30 | 77 | 438 3086-22 | 71 | 471 2432-25 | 17 |
| 438 3019-23 | 75 | 438 3021-31 | 69 | 438 3086-23 | 33 | 471 2436-10 | 13 |
| 438 3019-23 | 77 | 438 3021-31 | 73 | 438 3086-60 | 69 | 471 2437-15 | 7 |
| 438 3019-23 | 79 | 438 3021-31 | 75 | 438 3087-02 | 73 | 471 2438-14 | 7 |
| 438 3019-24 | 73 | 438 3021-32 | 77 | 438 3087-03 | 73 | 471 2440-10 | 13 |
| 438 3019-27 | 73 | 438 3022-11 | 71 | 438 3087-06 | 73 | 471 2440-12 | 13 |
| 438 3019-29 | 31 | 438 3022-13 | 71 | 438 3087-10 | 33 | 471 2440-89 | 13 |
| 438 3019-29 | 33 | 438 3022-14 | 71 | 438 3087-10 | 71 | 471 2441-44 | 13 |
| 438 3019-29 | 69 | 438 3022-15 | 71 | 438 3089-01 | 75 | 471 2449-72 | 17 |
| 438 3019-29 | 71 | 438 3030-10 | 69 | 438 3089-02 | 75 | 471 2449-72 | 51 |
| 438 3019-29 | 73 | 438 3030-12 | 79 | 438 3089-03 | 31 | 471 2449-72 | 53 |
| 438 3019-29 | 75 | 438 3030-41 | 69 | 438 3089-03 | 33 | 471 2449-72 | 55 |
| 438 3019-29 | 79 | 438 3030-43 | 31 | 438 3089-03 | 69 | 471 2449-72 | 57 |
| 438 3019-30 | 79 | 438 3030-43 | 33 | 438 3089-03 | 71 | 471 2449-72 | 59 |
| 438 3019-32 | 69 | 438 3030-81 | 79 | 438 3089-05 | 69 | 471 2449-72 | 61 |
| 438 3019-35 | 31 | 438 3030-83 | 73 | 438 4042-01 | 7 | 471 2449-72 | 63 |
| 438 3019-35 | 33 | 438 3031-03 | 31 | 438 4049-01 | 15 | 471 2449-72 | 67 |
| 438 3019-37 | 69 | 438 3031-35 | 31 | 438 4062-01 | 11 | 471 2451-81 | 13 |
| 438 3019-41 | 73 | 438 3031-35 | 33 | 438 4063-01 | 11 | 471 2539-02 | 13 |
| 438 3019-43 | 79 | 438 3056-01 | 11 | 438 4079-01 | 37 | 471 2574-02 | 13 |
| 438 3019-48 | 79 | 438 3056-04 | 11 | 438 4079-01 | 39 | 471 2904-01 | 17 |
| 438 3019-49 | 69 | 438 3056-11 | 11 | 438 4079-02 | 37 | 471 2914-01 | 13 |
| 438 3019-50 | 31 | 438 3056-12 | 11 | 438 4079-02 | 39 | 471 2937-01 | 55 |
| 438 3019-50 | 69 | 438 3056-31 | 11 | 438 4079-10 | 37 | 471 2937-01 | 61 |
| 438 3019-51 | 31 | 438 3056-32 | 11 | 438 4079-10 | 39 | 471 2937-01 | 63 |
| 438 3019-51 | 69 | 438 3058-01 | 21 | 438 4088-01 | 37 | 471 2937-01 | 67 |
| 438 3019-52 | 73 | 438 3075-01 | 43 | 438 4088-01 | 41 | 471 2938-01 | 51 |
| 438 3019-52 | 79 | 438 3075-04 | 43 | 438 4088-01 | 47 | 471 2938-01 | 53 |
| 438 3019-53 | 69 | 438 3082-07 | 73 | 438 4100-01 | 13 | 471 2938-01 | 57 |
| 438 3019-53 | 73 | 438 3082-11 | 75 | 438 4101-01 | 13 | 471 2938-01 | 59 |
| 438 3019-53 | 75 | 438 3082-12 | 31 | 438 4139-01 | 93 | 471 2938-01 | 61 |
| 438 3019-55 | 73 | 438 3082-12 | 33 | 438 4176-01 | 13 | 471 2960-08 | 13 |
| 438 3019-55 | 79 | 438 3082-12 | 69 | 438 4863-06 | 17 | 471 2960-10 | 13 |
| 438 3019-56 | 69 | 438 3082-12 | 71 | 438 9636-02 | 21 | 471 4516-03 | 17 |
| 438 3019-62 | 73 | 438 3082-12 | 73 | 438 9636-02 | 25 | 471 4705-01 | 37 |
| 438 3019-63 | 73 | 438 3082-13 | 73 | 438 9636-02 | 29 | 471 4705-01 | 41 |
| 438 3019-68 | 31 | 438 3082-13 | 75 | 438 9636-03 | 21 | 471 4705-02 | 43 |
| 438 3019-68 | 33 | 438 3082-13 | 77 | 438 9636-03 | 25 | 471 4705-02 | 47 |
| 438 3019-68 | 69 | 438 3082-14 | 79 | 438 9636-03 | 29 | 471 4714-05 | 45 |
| 438 3019-68 | 71 | 438 3082-15 | 31 | 471 1560-10 | 91 | 471 4714-06 | 45 |
| 438 3019-68 | 73 | 438 3082-15 | 33 | 471 1560-11 | 91 | 471 4792-01 | 51 |
| 438 3019-68 | 75 | 438 3082-15 | 69 | 471 1560-12 | 91 | 471 4792-01 | 53 |
| 438 3019-69 | 73 | 438 3082-15 | 71 | 471 1560-13 | 91 | 471 4792-01 | 55 |
| 438 3019-70 | 73 | 438 3082-27 | 73 | 471 1560-14 | 91 | 471 4792-01 | 57 |
| 438 3019-73 | 33 | 438 3082-51 | 75 | 471 1560-15 | 91 | 471 4792-01 | 59 |
| 438 3019-74 | 33 | 438 3082-72 | 33 | 471 1560-16 | 91 | 471 4792-01 | 61 |
| 438 3019-75 | 71 | 438 3082-72 | 71 | 471 1560-17 | 91 | 471 4792-01 | 63 |
| 438 3019-76 | 33 | 438 3082-73 | 75 | 471 1560-18 | 91 | 471 4792-01 | 67 |
| 438 3019-77 | 33 | 438 3083-01 | 75 | 471 2072-98 | 7 | 471 4792-01 | 83 |
| 438 3019-78 | 33 | 438 3083-02 | 75 | 471 2072-98 | 13 | 471 4792-01 | 85 |
| 438 3019-80 | 73 | 438 3083-02 | 77 | 471 2078-43 | 15 | 471 4835-01 | 17 |
| 438 3019-82 | 69 | 438 3084-05 | 69 | 471 2078-44 | 15 | 471 4878-01 | 71 |
| 438 3019-83 | 73 | 438 3084-08 | 71 | 471 2094-92 | 51 | 471 4878-33 | 79 |

Numerical index/Numerical index

| Art.No/Réf. article | Page/Page | Art.No/Réf. article | Page/Page | Art.No/Réf. article | Page/Page | Art.No/Réf. article | Page/Page |
|---------------------|-----------|---------------------|-----------|---------------------|-----------|---------------------|-----------|
| 471 4878-84 | 45 | 471 7967-01 | 29 | 471 8234-56 | 59 | 471 8342-13 | 29 |
| 471 6654-10 | 43 | 471 7967-02 | 21 | 471 8234-56 | 61 | 471 8342-23 | 41 |
| 471 6657-15 | 87 | 471 7967-02 | 25 | 471 8234-56 | 83 | 471 8342-23 | 47 |
| 471 6657-16 | 87 | 471 8126-16 | 19 | 471 8234-58 | 83 | 471 8342-25 | 43 |
| 471 6657-17 | 87 | 471 8139-01 | 17 | 471 8234-92 | 83 | 471 8346-01 | 93 |
| 471 6657-18 | 87 | 471 8139-04 | 17 | 471 8234-92 | 85 | 471 8346-05 | 21 |
| 471 6657-19 | 87 | 471 8159-06 | 55 | 471 8234-94 | 51 | 471 8346-06 | 21 |
| 471 6657-20 | 87 | 471 8159-06 | 57 | 471 8234-94 | 53 | 471 8346-06 | 25 |
| 471 6657-21 | 87 | 471 8163-01 | 93 | 471 8234-94 | 83 | 471 8346-06 | 29 |
| 471 6661-51 | 25 | 471 8164-01 | 9 | 471 8234-94 | 85 | 471 8401-01 | 93 |
| 471 6661-53 | 25 | 471 8175-01 | 51 | 471 8234-95 | 83 | 471 8502-14 | 7 |
| 471 6695-95 | 87 | 471 8175-01 | 53 | 471 8234-95 | 85 | 471 8502-14 | 13 |
| 471 6750-95 | 89 | 471 8175-01 | 55 | 471 8234-96 | 83 | 471 8502-24 | 15 |
| 471 6860-15 | 83 | 471 8175-01 | 57 | 471 8234-96 | 85 | 471 8526-01 | 27 |
| 471 6860-15 | 85 | 471 8175-01 | 59 | 471 8234-98 | 83 | 471 8551-02 | 13 |
| 471 6860-16 | 83 | 471 8175-01 | 61 | 471 8234-98 | 85 | 471 8622-01 | 51 |
| 471 6860-16 | 85 | 471 8175-01 | 63 | 471 8236-52 | 51 | 471 8622-01 | 53 |
| 471 6860-17 | 83 | 471 8175-01 | 67 | 471 8236-52 | 85 | 471 8622-01 | 55 |
| 471 6860-17 | 85 | 471 8192-01 | 7 | 471 8236-53 | 51 | 471 8622-01 | 57 |
| 471 6860-18 | 83 | 471 8195-01 | 81 | 471 8236-53 | 61 | 471 8622-01 | 59 |
| 471 6860-18 | 85 | 471 8196-01 | 9 | 471 8236-53 | 85 | 471 8622-01 | 61 |
| 471 6860-19 | 83 | 471 8197-02 | 11 | 471 8236-54 | 85 | 471 8622-01 | 63 |
| 471 6860-19 | 85 | 471 8198-02 | 11 | 471 8236-59 | 85 | 471 8622-01 | 67 |
| 471 6860-20 | 83 | 471 8199-01 | 51 | 471 8236-64 | 53 | 471 8622-02 | 51 |
| 471 6860-20 | 85 | 471 8199-01 | 53 | 471 8236-64 | 61 | 471 8622-02 | 53 |
| 471 7403-01 | 41 | 471 8199-01 | 55 | 471 8236-64 | 63 | 471 8622-02 | 59 |
| 471 7468-01 | 91 | 471 8199-01 | 57 | 471 8236-64 | 67 | 471 8622-02 | 63 |
| 471 7473-21 | 29 | 471 8199-01 | 59 | 471 8236-65 | 53 | 471 8622-05 | 51 |
| 471 7651-17 | 11 | 471 8199-01 | 61 | 471 8236-65 | 55 | 471 8622-05 | 53 |
| 471 7651-19 | 11 | 471 8199-01 | 63 | 471 8236-65 | 61 | 471 8622-05 | 57 |
| 471 7651-21 | 11 | 471 8199-01 | 67 | 471 8236-65 | 63 | 471 8622-05 | 59 |
| 471 7701-54 | 15 | 471 8210-02 | 51 | 471 8236-65 | 67 | 471 8622-05 | 61 |
| 471 7801-07 | 81 | 471 8210-02 | 53 | 471 8236-66 | 63 | 471 8623-01 | 51 |
| 471 7801-08 | 7 | 471 8210-02 | 59 | 471 8236-66 | 85 | 471 8623-01 | 53 |
| 471 7803-13 | 41 | 471 8210-02 | 61 | 471 8243-04 | 17 | 471 8623-01 | 55 |
| 471 7803-19 | 11 | 471 8210-02 | 63 | 471 8243-05 | 17 | 471 8623-01 | 57 |
| 471 7807-02 | 7 | 471 8210-02 | 67 | 471 8243-06 | 17 | 471 8623-01 | 59 |
| 471 7808-02 | 93 | 471 8210-02 | 87 | 471 8279-03 | 19 | 471 8623-01 | 61 |
| 471 7809-02 | 93 | 471 8210-03 | 63 | 471 8279-08 | 19 | 471 8623-01 | 63 |
| 471 7826-13 | 9 | 471 8210-03 | 87 | 471 8308-07 | 19 | 471 8623-01 | 67 |
| 471 7826-14 | 9 | 471 8210-11 | 87 | 471 8311-00 | 13 | 471 8626-01 | 29 |
| 471 7826-20 | 9 | 471 8210-12 | 87 | 471 8317-01 | 51 | 471 8641-01 | 9 |
| 471 7826-97 | 9 | 471 8210-21 | 87 | 471 8317-01 | 53 | 471 8644-03 | 93 |
| 471 7826-98 | 9 | 471 8210-22 | 87 | 471 8317-01 | 55 | 471 8670-03 | 19 |
| 471 7851-02 | 81 | 471 8210-23 | 87 | 471 8317-01 | 59 | 471 8688-12 | 17 |
| 471 7851-03 | 17 | 471 8210-31 | 87 | 471 8317-01 | 61 | 471 8688-13 | 17 |
| 471 7859-11 | 25 | 471 8210-32 | 87 | 471 8317-01 | 63 | 471 8688-13 | 81 |
| 471 7859-11 | 29 | 471 8210-51 | 87 | 471 8317-01 | 67 | 471 8693-02 | 55 |
| 471 7859-16 | 25 | 471 8210-52 | 87 | 471 8317-05 | 81 | 471 8693-02 | 61 |
| 471 7859-16 | 29 | 471 8210-63 | 51 | 471 8340-23 | 9 | 471 8693-02 | 63 |
| 471 7864-01 | 7 | 471 8210-63 | 53 | 471 8340-23 | 21 | 471 8693-02 | 67 |
| 471 7865-03 | 21 | 471 8210-63 | 55 | 471 8340-23 | 25 | 471 8693-04 | 57 |
| 471 7865-03 | 25 | 471 8210-63 | 57 | 471 8340-23 | 29 | 471 8693-04 | 59 |
| 471 7865-03 | 29 | 471 8210-63 | 59 | 471 8341-11 | 51 | 471 8693-04 | 61 |
| 471 7867-01 | 15 | 471 8210-63 | 61 | 471 8341-11 | 53 | 471 8693-21 | 55 |
| 471 7909-07 | 9 | 471 8210-63 | 63 | 471 8341-11 | 55 | 471 8693-21 | 57 |
| 471 7953-01 | 41 | 471 8210-63 | 67 | 471 8341-11 | 61 | 471 8693-21 | 59 |
| 471 7954-01 | 41 | 471 8210-63 | 87 | 471 8341-11 | 63 | 471 8693-21 | 61 |
| 471 7958-01 | 21 | 471 8234-51 | 83 | 471 8341-11 | 67 | 471 8693-21 | 63 |
| 471 7958-01 | 25 | 471 8234-52 | 51 | 471 8341-13 | 17 | 471 8693-21 | 67 |
| 471 7958-01 | 29 | 471 8234-52 | 53 | 471 8341-19 | 21 | 471 8708-01 | 21 |
| 471 7958-01 | 43 | 471 8234-52 | 83 | 471 8341-19 | 25 | 471 8708-01 | 25 |
| 471 7961-01 | 11 | 471 8234-53 | 83 | 471 8341-19 | 29 | 471 8708-01 | 29 |
| 471 7966-01 | 43 | 471 8234-54 | 51 | 471 8342-13 | 9 | 471 8733-10 | 45 |
| 471 7967-01 | 21 | 471 8234-54 | 53 | 471 8342-13 | 21 | 471 8748-01 | 31 |
| 471 7967-01 | 25 | 471 8234-54 | 57 | 471 8342-13 | 25 | 471 8748-01 | 33 |

Numerical index/Numerical index

| Art.No/Réf. article | Page/Page | Art.No/Réf. article | Page/Page | Art.No/Réf. article | Page/Page | Art.No/Réf. article | Page/Page |
|---------------------|-----------|---------------------|-----------|---------------------|-----------|---------------------|-----------|
| 471 8748-01 | 69 | 471 9525-20 | 29 | 472 5750-02 | 41 | 722 7843-02 | 47 |
| 471 8748-01 | 71 | 471 9525-21 | 21 | 472 5750-02 | 49 | 724 1325-61 | 37 |
| 471 8748-01 | 73 | 471 9525-21 | 25 | 472 5752-04 | 49 | 725 2289-61 | 9 |
| 471 8748-01 | 75 | 471 9525-21 | 29 | 472 5752-18 | 49 | 725 2289-61 | 35 |
| 471 8748-01 | 77 | 471 9525-23 | 21 | 472 5752-29 | 49 | 725 2366-42 | 9 |
| 471 8748-02 | 31 | 471 9525-23 | 25 | 472 5756-01 | 49 | 725 2366-61 | 7 |
| 471 8748-02 | 33 | 471 9525-23 | 29 | 472 5756-09 | 49 | 725 2366-61 | 9 |
| 471 8748-02 | 69 | 471 9525-28 | 21 | 472 6001-54 | 93 | 725 2366-61 | 11 |
| 471 8748-02 | 71 | 471 9525-28 | 25 | 472 6002-05 | 93 | 725 2366-61 | 19 |
| 471 8748-02 | 73 | 471 9529-05 | 23 | 472 6003-04 | 93 | 725 2370-61 | 7 |
| 471 8748-02 | 75 | 471 9529-05 | 27 | 472 6004-01 | 93 | 725 2370-61 | 15 |
| 471 8748-02 | 77 | 471 9529-05 | 29 | 472 6005-01 | 93 | 725 2370-61 | 27 |
| 471 8750-11 | 21 | 471 9529-10 | 29 | 472 6005-10 | 93 | 725 2370-61 | 29 |
| 471 8750-11 | 25 | 471 9533-02 | 91 | 472 6006-01 | 93 | 725 2380-61 | 15 |
| 471 8750-11 | 29 | 471 9550-15 | 29 | 472 6011-00 | 81 | 725 2465-71 | 7 |
| 471 8756-01 | 25 | 471 9558-03 | 21 | 472 6012-00 | 81 | 725 2634-71 | 13 |
| 471 8756-01 | 29 | 471 9559-03 | 21 | 472 6082-01 | 35 | 725 6328-42 | 11 |
| 471 8756-51 | 21 | 471 9560-01 | 13 | 472 6082-01 | 47 | 728 8362-01 | 15 |
| 471 8756-51 | 25 | 471 9565-03 | 21 | 472 6761-01 | 51 | 728 8362-11 | 11 |
| 471 8756-51 | 29 | 471 9565-03 | 25 | 472 6761-01 | 53 | 729 9342-61 | 19 |
| 471 8756-52 | 21 | 471 9565-03 | 29 | 472 6761-01 | 55 | 731 2314-42 | 93 |
| 471 8756-52 | 25 | 471 9566-01 | 21 | 472 6761-01 | 57 | 731 2318-01 | 19 |
| 471 8756-52 | 29 | 471 9566-01 | 25 | 472 6761-01 | 59 | 732 2112-01 | 35 |
| 471 8759-01 | 21 | 471 9566-01 | 29 | 472 6761-01 | 61 | 732 2114-01 | 11 |
| 471 8759-01 | 25 | 471 9566-05 | 21 | 472 6761-01 | 63 | 732 2116-01 | 11 |
| 471 8759-01 | 29 | 471 9566-05 | 25 | 472 6761-01 | 67 | 732 2118-01 | 7 |
| 471 8760-01 | 21 | 471 9566-05 | 29 | 472 8754-10 | 17 | 732 2118-01 | 13 |
| 471 8760-01 | 25 | 471 9604-05 | 21 | 472 8754-11 | 17 | 734 1153-01 | 11 |
| 471 8760-01 | 29 | 471 9604-05 | 25 | 472 8969-02 | 37 | 734 1186-01 | 13 |
| 471 8760-02 | 21 | 471 9604-05 | 29 | 472 8969-02 | 39 | 735 2136-01 | 9 |
| 471 8760-02 | 25 | 471 9629-02 | 41 | 472 8969-03 | 37 | 735 2136-01 | 21 |
| 471 8760-02 | 29 | 471 9636-02 | 21 | 472 8969-03 | 39 | 735 2136-01 | 25 |
| 471 8762-01 | 21 | 471 9636-03 | 21 | 472 9900-27 | 91 | 735 2136-01 | 29 |
| 471 8762-01 | 25 | 471 9648-01 | 35 | 472 9900-28 | 91 | 735 2136-01 | 35 |
| 471 8762-01 | 29 | 471 9649-01 | 21 | 472 9900-29 | 91 | 735 2146-01 | 37 |
| 471 8803-27 | 7 | 471 9649-01 | 27 | 472 9900-30 | 91 | 735 2146-01 | 41 |
| 471 8803-27 | 21 | 471 9649-01 | 43 | 472 9900-31 | 91 | 735 2146-01 | 47 |
| 471 8804-02 | 7 | 471 9649-02 | 27 | 472 9900-52 | 91 | 736 2816-51 | 51 |
| 471 8810-01 | 43 | 471 9649-02 | 43 | 472 9900-53 | 91 | 736 2816-51 | 53 |
| 471 8859-02 | 21 | 471 9651-50 | 43 | 472 9900-54 | 91 | 736 2816-51 | 55 |
| 471 8859-04 | 21 | 471 9652-01 | 35 | 472 9900-76 | 91 | 736 2816-51 | 57 |
| 471 8859-06 | 25 | 471 9652-02 | 35 | 472 9902-12 | 13 | 736 2816-51 | 59 |
| 471 8859-51 | 25 | 471 9652-02 | 43 | 472 9902-22 | 21 | 736 2816-51 | 61 |
| 471 8954-03 | 25 | 471 9652-02 | 47 | 472 9902-22 | 25 | 736 2816-51 | 63 |
| 471 8954-04 | 25 | 471 9653-03 | 29 | 472 9902-50 | 11 | 736 2816-51 | 67 |
| 471 8955-01 | 43 | 471 9672-01 | 25 | 472 9902-51 | 11 | 736 2825-51 | 13 |
| 471 8961-01 | 43 | 471 9716-01 | 89 | 472 9902-59 | 93 | 736 2825-51 | 51 |
| 471 8964-07 | 37 | 471 9716-02 | 89 | 472 9902-61 | 11 | 736 2825-51 | 53 |
| 471 8964-07 | 39 | 471 9716-06 | 89 | 472 9902-64 | 37 | 736 2825-51 | 55 |
| 471 8977-15 | 45 | 471 9716-08 | 89 | 472 9902-64 | 39 | 736 2825-51 | 57 |
| 471 8977-25 | 45 | 471 9716-09 | 89 | 472 9902-66 | 11 | 736 2825-51 | 59 |
| 471 8980-01 | 91 | 471 9716-32 | 89 | 472 9902-72 | 29 | 736 2825-51 | 61 |
| 471 8983-31 | 25 | 471 9716-34 | 89 | 472 9902-73 | 25 | 736 2825-51 | 63 |
| 471 8983-31 | 29 | 471 9716-36 | 89 | 472 9902-75 | 25 | 736 2825-51 | 67 |
| 471 8985-01 | 27 | 471 9716-39 | 89 | 472 9911-08 | 11 | 736 2828-51 | 51 |
| 471 8985-01 | 29 | 471 9716-51 | 89 | 472 9913-22 | 7 | 736 2828-51 | 53 |
| 471 9006-61 | 21 | 471 9716-52 | 89 | 472 9913-43 | 21 | 736 2828-51 | 55 |
| 471 9027-85 | 21 | 471 9716-54 | 89 | 722 7840-19 | 35 | 736 2828-51 | 57 |
| 471 9027-85 | 25 | 471 9716-56 | 89 | 722 7840-19 | 37 | 736 2828-51 | 59 |
| 471 9027-85 | 29 | 471 9716-57 | 89 | 722 7840-19 | 41 | 736 2828-51 | 61 |
| 471 9030-34 | 19 | 471 9739-02 | 89 | 722 7843-02 | 9 | 736 2828-51 | 63 |
| 471 9219-16 | 43 | 471 9739-13 | 89 | 722 7843-02 | 35 | 736 2828-51 | 67 |
| 471 9222-59 | 7 | 471 9739-57 | 89 | 722 7843-02 | 37 | 736 2828-51 | 93 |
| 471 9222-59 | 13 | 471 9811-05 | 7 | 722 7843-02 | 39 | 736 2831-51 | 17 |
| 471 9525-20 | 21 | 471 9811-08 | 7 | 722 7843-02 | 41 | 736 2834-51 | 17 |
| 471 9525-20 | 25 | 472 5750-01 | 49 | 722 7843-02 | 43 | 736 2840-51 | 13 |

Numerical index/Numerical index

| Art.No/Réf. article | Page/Page | Art.No/Réf. article | Page/Page | Art.No/Réf. article | Page/Page | Art.No/Réf. article | Page/Page |
|---------------------|-----------|---------------------|-----------|---------------------|-----------|---------------------|-----------|
| 736 2840-51 | 17 | 877 5252-01 | 63 | | | | |
| 736 2846-51 | 17 | 877 5252-01 | 67 | | | | |
| 736 2849-51 | 17 | | | | | | |
| 738 6117-13 | 11 | | | | | | |
| 740 4207-00 | 17 | | | | | | |
| 741 5109-25 | 17 | | | | | | |
| 742 5115-20 | 51 | | | | | | |
| 742 5115-20 | 53 | | | | | | |
| 742 5115-20 | 57 | | | | | | |
| 742 5115-20 | 59 | | | | | | |
| 742 5115-20 | 61 | | | | | | |
| 744 3113-06 | 19 | | | | | | |
| 744 3115-06 | 51 | | | | | | |
| 744 3115-06 | 53 | | | | | | |
| 744 3115-06 | 55 | | | | | | |
| 744 3115-06 | 57 | | | | | | |
| 744 3115-06 | 59 | | | | | | |
| 744 3115-06 | 61 | | | | | | |
| 744 3115-06 | 63 | | | | | | |
| 744 3115-06 | 67 | | | | | | |
| 762 1215-10 | 21 | | | | | | |
| 762 1215-10 | 25 | | | | | | |
| 762 1215-10 | 29 | | | | | | |
| 762 8139-91 | 25 | | | | | | |
| 762 8139-91 | 29 | | | | | | |
| 762 8151-91 | 21 | | | | | | |
| 762 8151-91 | 25 | | | | | | |
| 762 8151-91 | 29 | | | | | | |
| 762 9105-05 | 53 | | | | | | |
| 762 9105-05 | 55 | | | | | | |
| 762 9105-05 | 57 | | | | | | |
| 762 9105-05 | 59 | | | | | | |
| 762 9105-05 | 61 | | | | | | |
| 762 9105-05 | 63 | | | | | | |
| 762 9105-05 | 65 | | | | | | |
| 762 9105-05 | 67 | | | | | | |
| 762 9112-07 | 21 | | | | | | |
| 762 9112-07 | 25 | | | | | | |
| 762 9112-07 | 29 | | | | | | |
| 763 1802-01 | 43 | | | | | | |
| 763 1806-01 | 43 | | | | | | |
| 767 5101-92 | 25 | | | | | | |
| 767 5101-92 | 29 | | | | | | |
| 767 5102-92 | 21 | | | | | | |
| 767 5102-92 | 25 | | | | | | |
| 767 5102-92 | 29 | | | | | | |
| 767 5103-12 | 21 | | | | | | |
| 767 5103-12 | 25 | | | | | | |
| 767 5103-12 | 29 | | | | | | |
| 767 5802-09 | 21 | | | | | | |
| 767 5802-09 | 25 | | | | | | |
| 767 5802-09 | 29 | | | | | | |
| 877 5211-08 | 51 | | | | | | |
| 877 5211-08 | 53 | | | | | | |
| 877 5211-08 | 55 | | | | | | |
| 877 5211-08 | 57 | | | | | | |
| 877 5211-08 | 59 | | | | | | |
| 877 5211-08 | 61 | | | | | | |
| 877 5211-08 | 63 | | | | | | |
| 877 5211-08 | 67 | | | | | | |
| 877 5252-01 | 51 | | | | | | |
| 877 5252-01 | 53 | | | | | | |
| 877 5252-01 | 55 | | | | | | |
| 877 5252-01 | 57 | | | | | | |
| 877 5252-01 | 59 | | | | | | |
| 877 5252-01 | 61 | | | | | | |

WASCOMAT

461 Doughty Blvd., Inwood, L.I., N.Y. 11096-0338

Telephone: 516-371-4400

Parts and Service FAX: 516-371-4029

Sales and Administration FAX: 516-371-4204