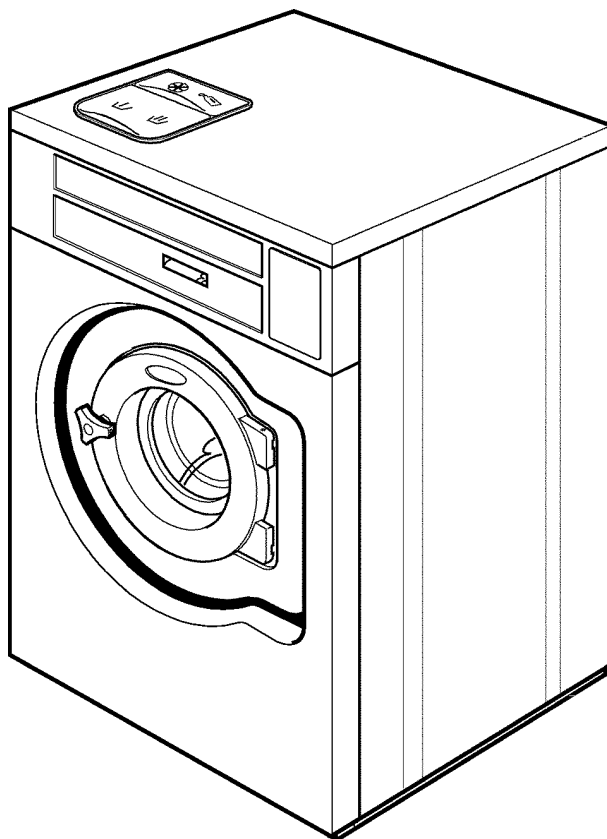


**WASCOMAT**

Spare Parts Catalogue

Catalogue de pièces de rechange

---



E630,W630

---



## List of issues

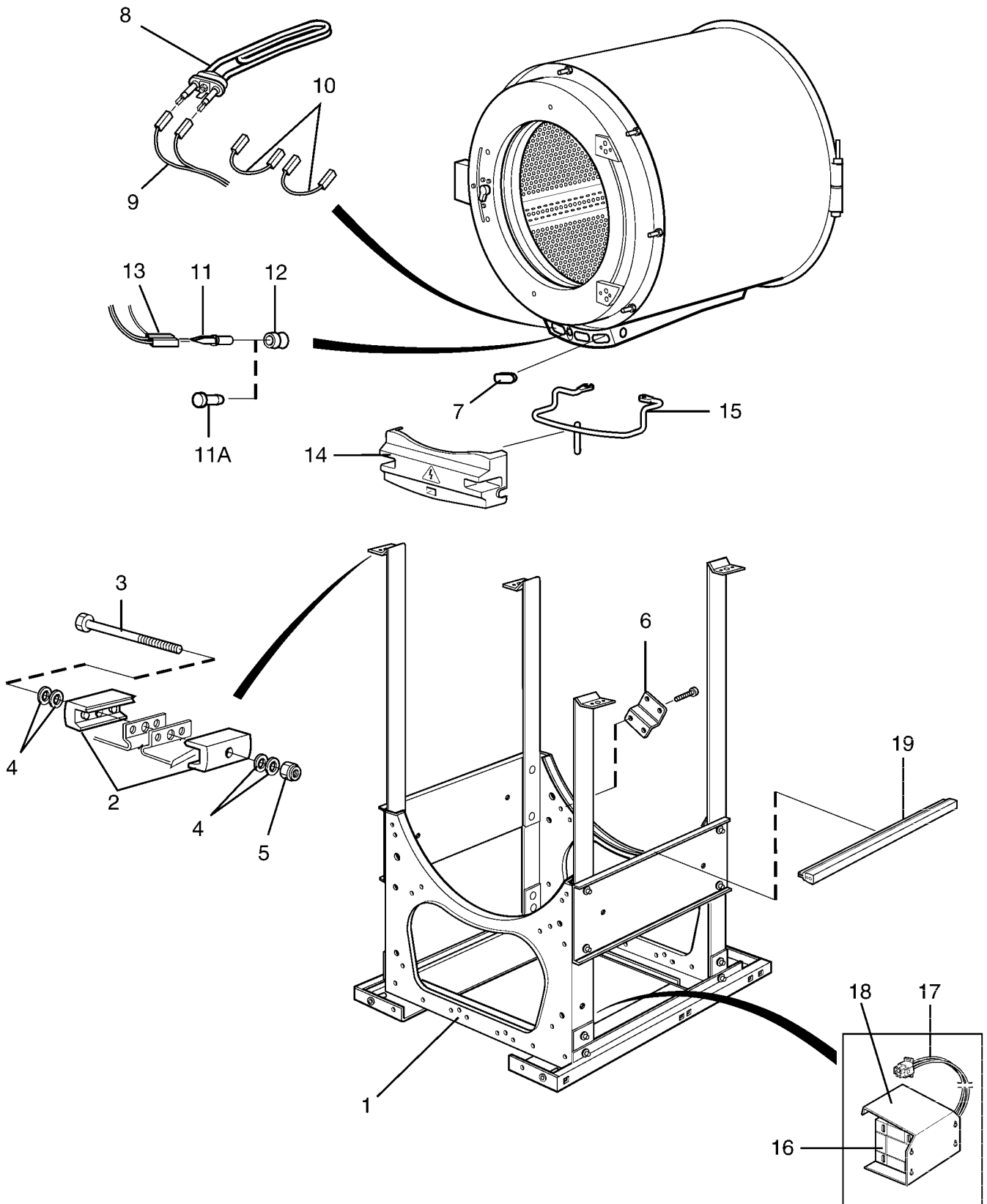
### **E630,W630,W630c,W630s**

Illustration	Page	Table of contents
101761	13	Door and hinged joint
101765	33	Electrical components Clarus
101768	55	Water connections
101769	19	Control panel Exacta
101770	29	Control panel Clarus
101771	71	Detergent container
101772	61	Drain valve
101774	7	Base and outer drum
101776	15	Door lock
101779	57	Inlet valves and cable set
101780	59	Inlet valves and cable set
101918	67	Steam components
101920	17	Motor
101921	65	Drain valve, electrical
101926	37	Electric components Classic OG01
101928	31	Electrical components Exacta
101930	63	Drain valve and hoses
101937	39	Electric components Classic OL02
101938	41	Electric components Classic OL03
101939	49	Electric components Classic 3AC
101940	47	Electric components Classic 1AC
101941	45	Electric components 1AC
101942	51	Electric components Classic 3AC
101943	53	Capacitor
101947	43	Electric components connection
101948	9	Lining and top panel
101949	27	Control panel Classic
101969	81	Technical documentation
101979	73	Coin meter USA
101991	69	Manual starter unit, Classic
102107	77	CMIS
102112	11	Drum, rear gable
102128	75	Coin meter USA Classic



## E630,W630,W630c,W630s

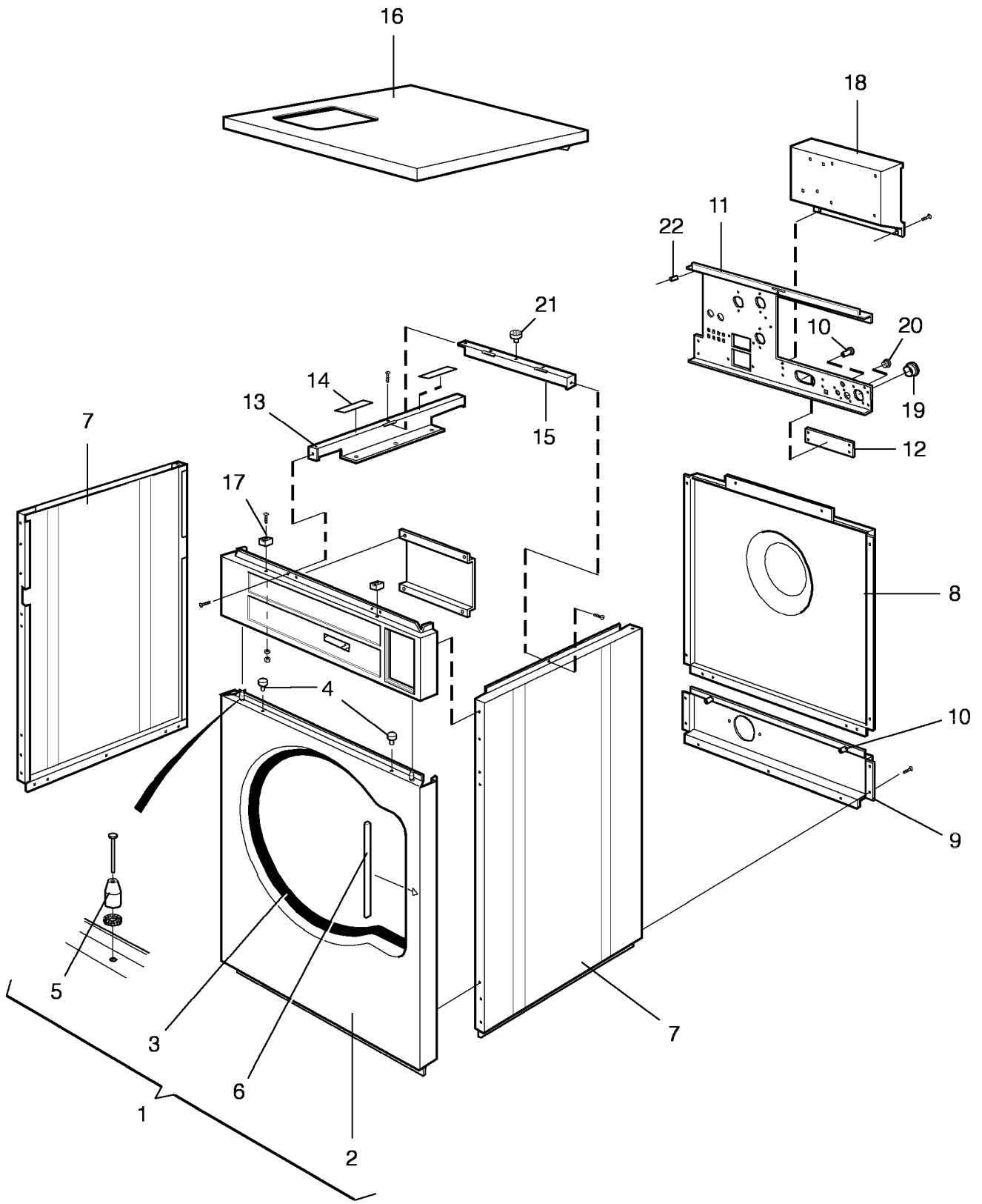
Table of contents	Table des matières	Page/Page
Base and outer drum	Base et tambour externe	7
Lining and top panel	Panneau frontal avec pupitre de commande	9
Drum, rear gable	Tambour, pignon arrière	11
Door and hinged joint	Assemblage articulé et plaque	13
Door lock	Serrure de porte	15
Motor	Moteur	17
Control panel Exacta	Pupitre de commande Exacta	19
Control panel Classic	Pupitre de commande Classic	27
Control panel Clarus	Pupitre de commande Clarus	29
Electrical components Exacta	Composants électriques Exacta	31
Electrical components Clarus	Composants électriques Clarus	33
Electric components Classic OG01	Composants électriques Classic OG01	37
Electric components Classic OL02	Composants électriques Classic OL02	39
Electric components Classic OL03	Composants électriques Classic OL03	41
Electric components connection	Composants électriques raccordement électrique	43
Electric components 1AC	Composants électriques 1AC	45
Electric components Classic 1AC	Composants électriques Classic 1AC	47
Electric components Classic 3AC	Composants électriques Classic 3AC	49
Electric components Classic 3AC	Composants électriques Classic 3AC	51
Capacitor	Condensateur	53
Water connections	Raccords d'eau	55
Inlet valves and cable set	Inlet valves and cable set	57
Inlet valves and cable set	Inlet valves and cable set	59
Drain valve	Purgeur	61
Drain valve and hoses	Purgeur et flexible	63
Drain valve, electrical	Drain valve, electrical	65
Steam components	Composants	67
Manual starter unit, Classic	Sans monnayeur unité de démarrage, Classic	69
Detergent container	Compartiment à savon	71
Coin meter USA	Monnayeur USA	73
Coin meter USA Classic	Monnayeur USA Classic	75
CMIS	CMIS	77
Technical documentation	Documentation technique	81



**E630,W630,W630c,W630s****Base and outer drum****Base et tambour externe**

Illustration	Issue	Month	Year
Schéma	Issue	Month	Year
<b>101774/4</b>	<b>2</b>	<b>2</b>	<b>2004</b>

Item Article	Qua. Qua.	Art.No Réf. article	Description	Description	Info Info	Notes Remarques
<b>1</b>	1	<b>432 4115-52</b>	Frame	Base	3	
<b>2</b>	4	<b>432 1453-01</b>	•Tensioner	•Crochet	3	
<b>3</b>	2	<b>725 2465-71</b>	•Screw	•Vis	3	M8X70
<b>4</b>	8	<b>471 7807-02</b>	•Tension plate	•Tôle de serrage	3	18x8,4x2
<b>5</b>	2	<b>732 2118-01</b>	•Locking nut	•Contre-écrou	3	M8
<b>6</b>	1	<b>432 1451-01</b>	•Bracket	•Support	3	
<b>7</b>	Rq	<b>471 9821-99</b>	Plug	Fiche	3	
<b>8</b>	3	<b>471 9821-11</b>	Heating element	Élément chauffant	1,2	3,33kW 240V
	3	<b>471 9821-15</b>	Heating element	Élément de chauffage	1,2	3,3kW 277V
	3	<b>471 9821-12</b>	Heating element	Élément chauffant	1,2	2,5kW 240V
	3	<b>471 9821-13</b>	Heating element	Élément chauffant	1,2	3,33kW 254V
	3	<b>471 9821-14</b>	Heating element	Élément chauffant	1,2	1kW 240V
	3	<b>471 9823-11</b>	Heating element	Élément chauffant	1,2	2,15kW 230V
	3	<b>471 9823-12</b>	Heating element	Élément de chauffage	1,2	2.15 kW 240V Mop
<b>9</b>	1	<b>432 2950-01</b>	Cable set	Jeu de câbles	3	Heating 400V
	1	<b>432 2951-01</b>	Cable set	Jeu de câbles	3	230V 1AC
<b>10</b>	1	<b>432 2953-02</b>	Cable set	Jeu de câbles	3	400V
<b>11A</b>	1	<b>438 4118-00</b>	Plug	Fiche	3	HW
<b>11</b>	1	<b>472 9913-22</b>	Sensor	Capteur	1,2	Complete
<b>12</b>	1	<b>471 8192-01</b>	•Bushing	•Douille	1	
<b>13</b>	1	<b>432 3082-74</b>	Cable set	Jeu de câbles	3	
<b>14</b>	1	<b>432 1654-01</b>	Cover	Couvercle	3	
<b>15</b>	1	<b>432 1653-01</b>	Clamp	Bride de fixation	3	
<b>16</b>	1	<b>471 9550-44</b>	Transformer	Transformateur	1	200V
	1	<b>471 9550-49</b>	Transformer	Transformateur	1	356V,380V,415V,440V,480V
<b>17</b>	1	<b>432 2985-01</b>	Cable set	Jeu de câbles	3	
<b>18</b>	1	<b>432 1477-01</b>	Bracket	Pupitre	3	
<b>19</b>	2	<b>432 2198-02</b>	Rubber strip	Joint caoutchouc	3	





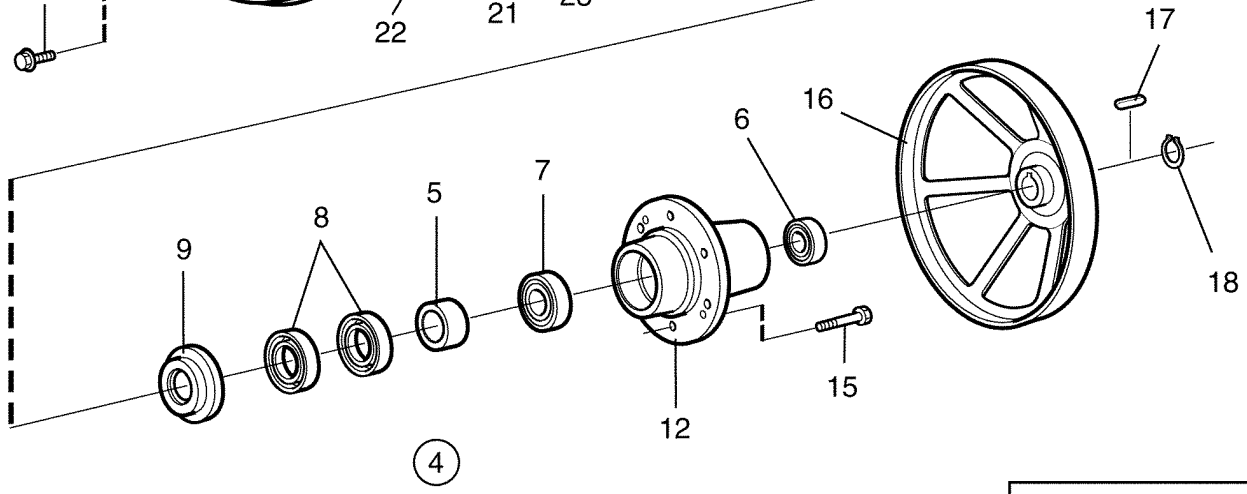
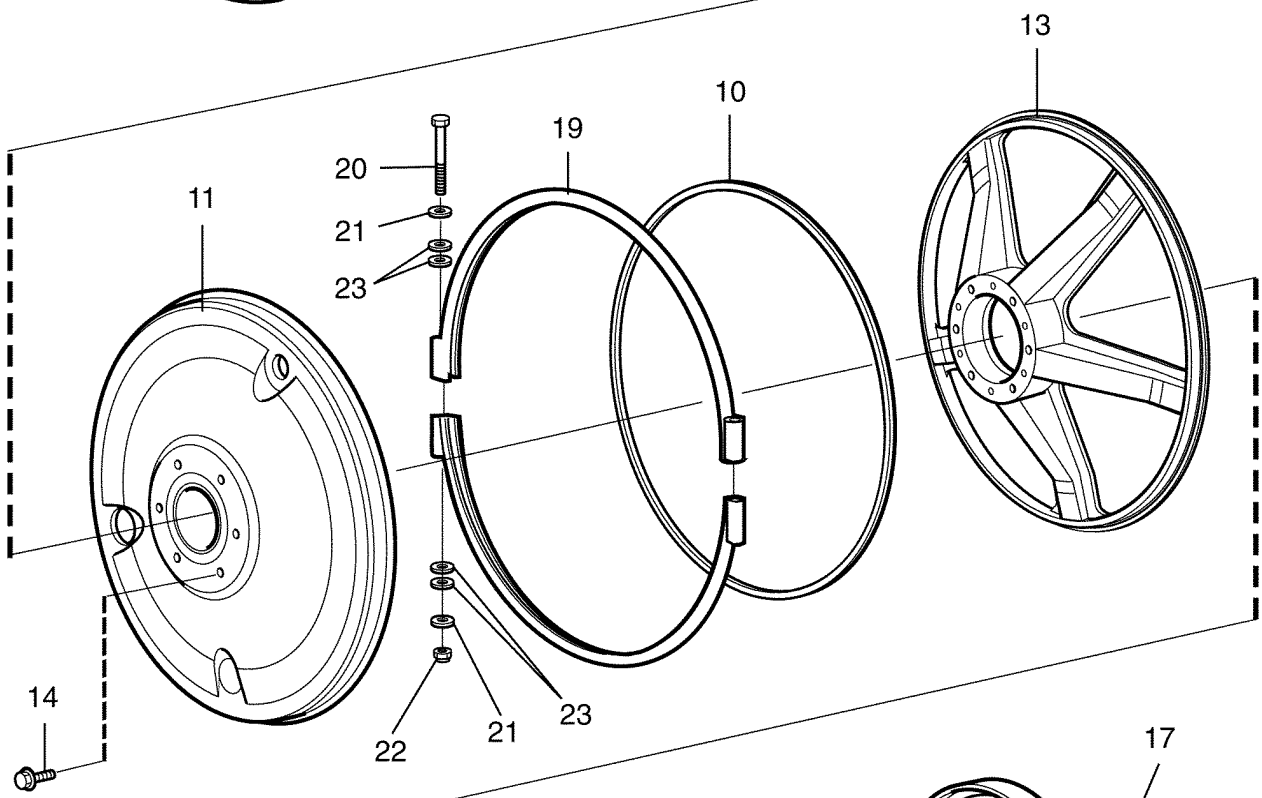
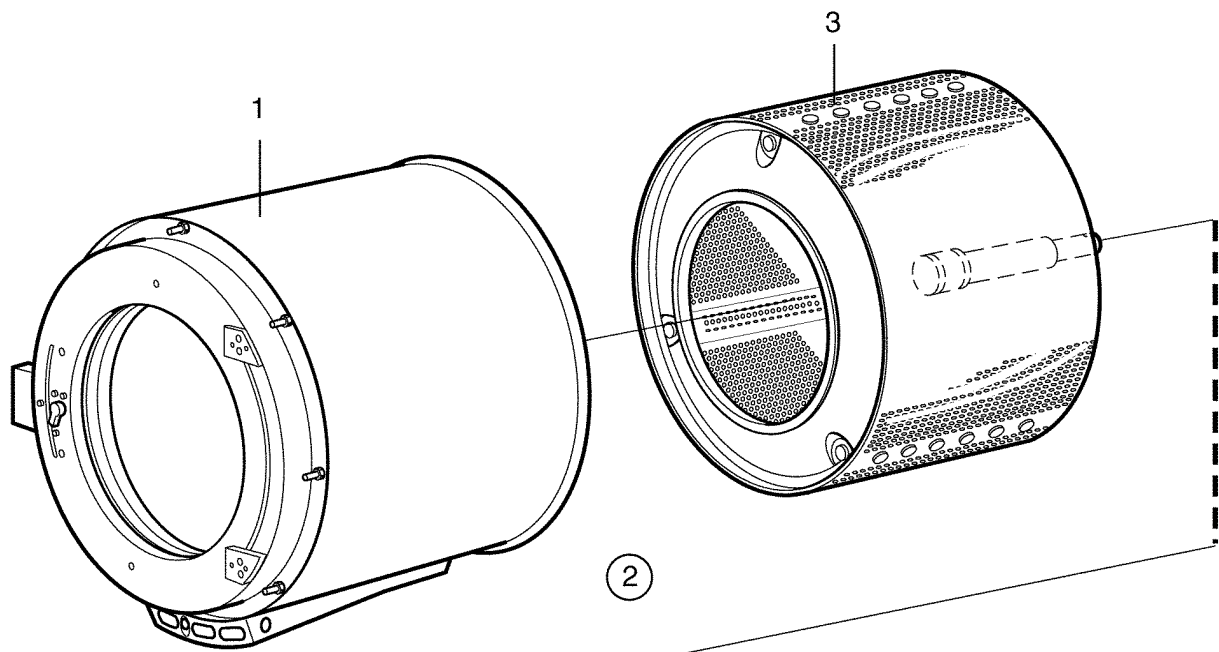
**E630,W630,W630c,W630s**

**Lining and top panel**

**Panneau frontal avec pupitre de commande**

Illustration Issue Month Year  
Schéma Issue Month Year  
**101948/2 5 6 2003**

Item Article	Qua. Qua.	Art.No Réf. article	Description	Description	Info Info	Notes Remarques
<b>1</b>	1	<b>432 2200-31</b>	Front plate	Panneau avant	3	Green Complete
	1	<b>432 2200-32</b>	Front plate	Panneau avant	3	Yellow Complete
	1	<b>432 2200-33</b>	Front plate	Panneau avant	3	White Complete
	1	<b>432 2200-34</b>	Front plate	Panneau avant	3	Red Complete
	1	<b>432 2200-35</b>	Front plate	Panneau avant	3	Almond Complete
	1	<b>432 2200-36</b>	Front plate	Panneau avant	3	Grey Complete
	1	<b>432 2200-40</b>	Front plate	Panneau avant	3	Stainless Complete
<b>2</b>	1		•Front plate	•Panneau avant	3	
<b>3</b>	1	<b>432 2182-02</b>	•Strip	•Ruban	3	
<b>4</b>	2	<b>471 8196-01</b>	•Plug	•Fiche	3	
<b>5</b>	2	<b>438 5109-02</b>	•Guide pin	•Broche de guidage	3	
<b>6</b>	1	<b>471 4672-67</b>	•Protection	•Protection	3	
<b>7</b>	2	<b>432 2041-01</b>	Side panel	Panneau latéral	3	Grey
	2	<b>432 2041-02</b>	Side panel	Panneau latéral	3	White
	2	<b>432 2041-10</b>	Side panel	Panneau latéral	3	Stainless
<b>8</b>	1	<b>432 2072-02</b>	Rear panel	Panneau arrière	3	Upper
<b>9</b>	1	<b>432 2073-01</b>	Rear panel	Panneau arrière	3	Lower
<b>10</b>	6	<b>471 8458-02</b>	Nut	Écrou	3	M6
<b>11</b>	1	<b>432 2103-02</b>	Brace bracket	Support de montant	3	
<b>12</b>	1	<b>432 2844-01</b>	Cover plate	Couvercle	3	DS
<b>13</b>	1	<b>432 2130-06</b>	Brace	Montant	3	
	1	<b>432 2130-05</b>	Brace	Montant	3	USA
<b>14</b>	4	<b>471 7565-21</b>	Velcro tape	Bande de serrage	3	
<b>15</b>	1	<b>432 2120-01</b>	Brace	Montant	3	
<b>16</b>	1	<b>472 9915-17</b>	Top panel	Couvercle	3	
	1	<b>472 9915-67</b>	Top panel	Couvercle	3	With lock
	1	<b>472 9915-19</b>	Top panel	Couvercle	3	USA
	1	<b>472 9915-69</b>	Top panel	Couvercle	3	USA With lock
	1	<b>472 9915-18</b>	Top panel	Couvercle	3	No detergent container
	1	<b>472 9915-68</b>	Top panel	Couvercle	3	No detergent container
	1	<b>472 9915-20</b>	Top panel	Couvercle	3	USA No detergent container
	1	<b>472 9915-70</b>	Top panel	Couvercle	3	USA No detergent container
	1	<b>471 7826-10</b>	•Lock	•Serrure	1,2	
	1	<b>471 7826-20</b>	•Key	•Touche	1,2	FH025
<b>17</b>	2	<b>438 5335-01</b>	Guide	Guide	3	
<b>18</b>	1	<b>432 2155-01</b>	Plate	Cloison	3	
<b>19</b>	1	<b>471 7967-02</b>	Grommet	Oeillet	3	
<b>20</b>	2	<b>471 7977-03</b>	Cover plug	Couvre-bouchon	3	
<b>21</b>	1	<b>471 8641-02</b>	Plug	Fiche	3	
<b>22</b>	2	<b>432 2180-01</b>	Spacer	Entretoise	3	



Issue	Month	Year
01	12	01

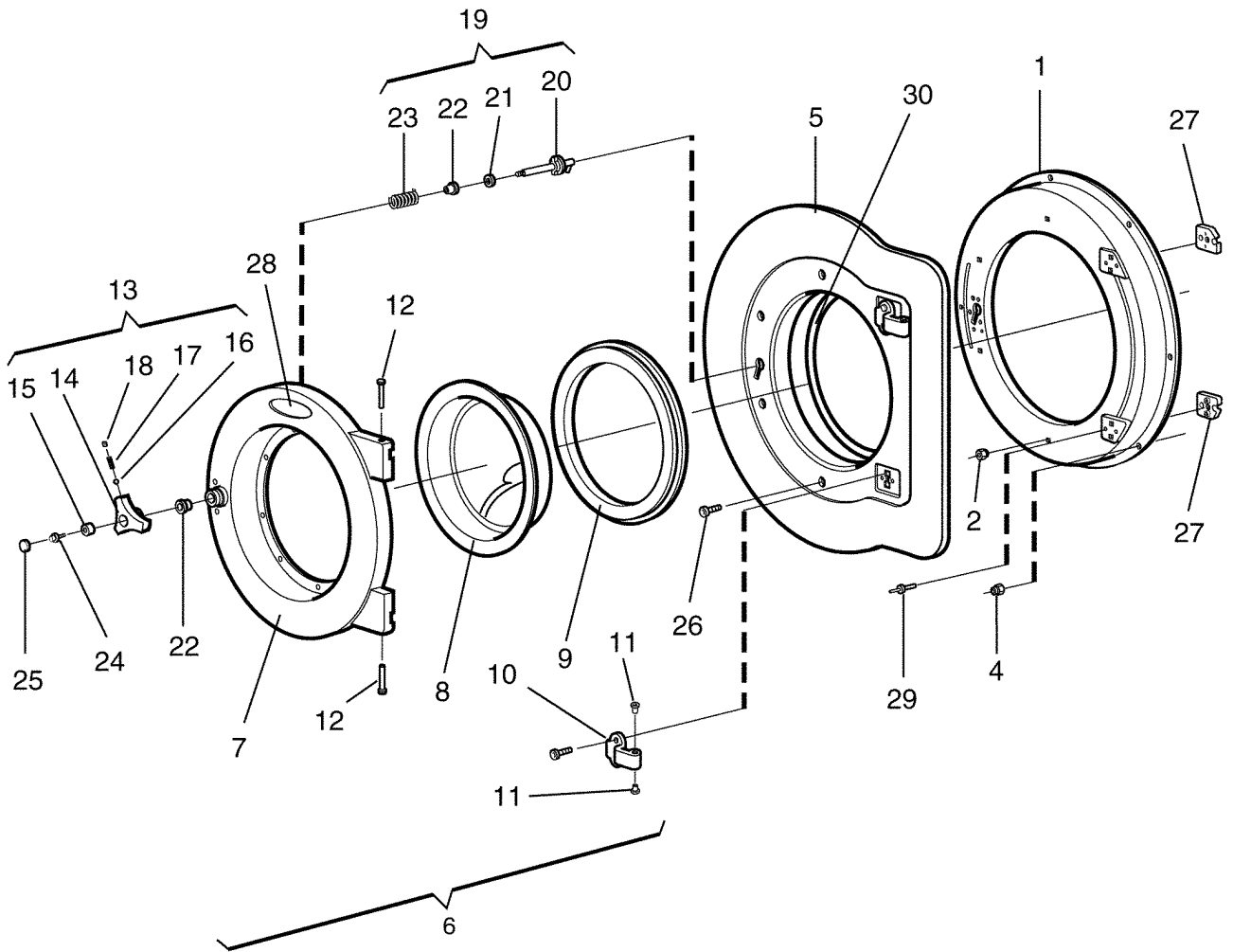
**E630,W630,W630c,W630s**

**Drum, rear gable**

**Tambour, pignon arrière**

Illustration Issue Month Year  
Schéma Issue Month Year  
**102112/1 5 1 2004**

Item Article	Qua. Qua.	Art.No Réf. article	Description	Description	Info Info	Notes Remarques
<b>1</b>	1	<b>432 1571-11</b>	Outer drum	Tambour extérieur	3	Non-heated
	1	<b>432 1571-12</b>	Outer drum	Tambour extérieur	3	El/Dual heating
	1	<b>432 1571-13</b>	Outer drum	Tambour extérieur	3	Steam
<b>2</b>	1	<b>432 1606-21</b>	Rear gable	Pignon arrière	3	Complete
	1	<b>432 1606-22</b>	Back plate	Pignon arrière	3	Complete Sluice
<b>3</b>	1	<b>432 1501-11</b>	•Inner drum	•Intérieur du tambour	1	
	1	<b>432 1501-12</b>	•Inner drum	•Intérieur du tambour	1	Sluice
<b>4</b>	1	<b>472 9913-13</b>	•Repair kit	•Kit reconditionnement	3	
<b>5</b>	1		••Bushing	••Douille		
<b>6</b>	1		••Ball bearing	••Roulement à billes		
<b>7</b>	1		••Ball bearing	••Roulement à billes		
<b>8</b>	2		••Sealing ring	••Bague d'étanchéité		
<b>9</b>	1		••Sealing ring	••Bague d'étanchéité		
<b>10</b>	1	<b>438 8155-02</b>	••Seal	••Joint		
<b>11</b>	1	<b>432 1546-01</b>	•Lining	•Panneau de renfort	3	
<b>12</b>	1	<b>432 1561-01</b>	•Bearing housing	•Logement de palier	3	
<b>13</b>	1	<b>432 1541-01</b>	•End piece	•Pignon	3	
<b>14</b>	6	<b>471 8323-01</b>	•Screw	•Vis	3	M6X12
<b>15</b>	6	<b>471 8328-02</b>	•Screw	•Vis	3	M12X50
<b>16</b>	1	<b>432 1551-01</b>	•Pulley	•Poulie	3	
<b>17</b>	1	<b>735 9501-01</b>	•Wedge	•Cale	3	14x9x50
<b>18</b>	1	<b>735 3139-00</b>	•C-clamp	•Presse à main	3	SGA 45
<b>19</b>	2	<b>432 1566-01</b>	Tension strap	Extenseur	3	
<b>20</b>	2	<b>471 9222-59</b>	Screw	Vis	3	M8X140
<b>21</b>	4	<b>471 8502-14</b>	Washer	Rondelle	3	BRB 8,4X17
<b>22</b>	2	<b>732 2118-01</b>	Locking nut	Contre-écrou	3	M8
<b>23</b>	-					Not used



Issue	Month	Year
04	10	03

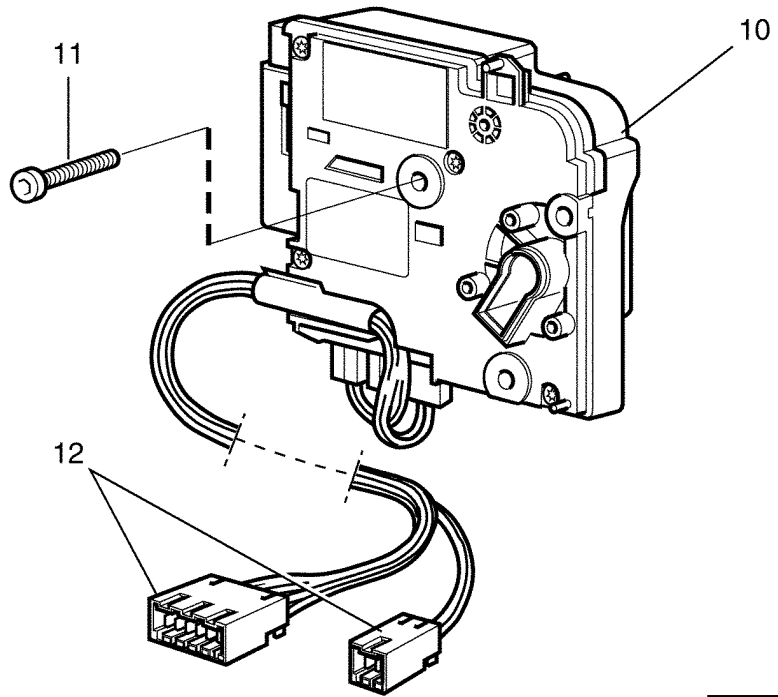
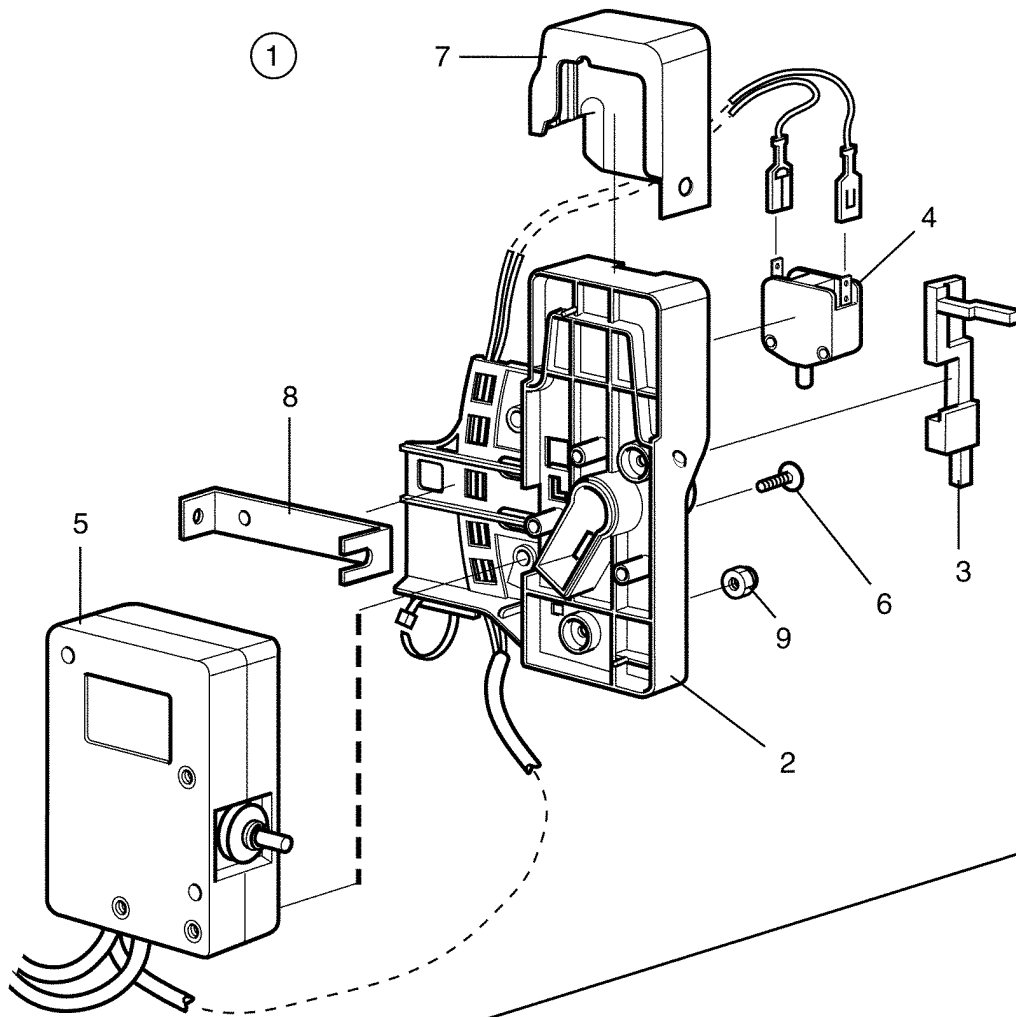
**E630,W630,W630c,W630s**

**Door and hinged joint**

**Assemblage articulé et plaque**

Illustration Issue Month Year  
Schéma Issue Month Year  
**101761/4 4 2 2004**

Item Article	Qua. Qua.	Art.No Réf. article	Description	Description	Info Info	Notes Remarques
1	1	432 1871-01	Support frame	Panneau de fixation	3	
2	4	471 8458-02	Nut	Écrou	3	M6
3	-					Not used
4	9	471 8404-02	Locking nut	Contre-écrou	3	M6
5	1	432 1886-01	Trim panel	Plaque de décoration	3	
6	1	432 4112-01	Door	Porte	1	Complete
7	1	432 1826-01	•Door	•Porte	3	
8	1	432 1856-01	•Door glass	•Vitre de la porte	1,2	
9	1	432 1841-01	•Door gasket	•Joint de la porte	1,2	
10	2	432 1950-01	•Hinged joint	•Assemblage articulé	1	
11	4	438 4062-01	•Bushing	•Douille	3	
12	2	432 1961-01	•Pin	•Goupille	3	
13	1	432 1955-01	•Knob	•Bouton	1,2	Complete
14	1		••Knob	••Bouton		
15	1		••Bushing	••Douille		
16	3		••Ball	••Bille		
17	3		••Spring	••Ressort		
18	3	728 8362-11	••Screw	••Vis		
19	1	472 9913-01	•Kit, lock shaft	•Kit de réparation, Axe de verrouillage	1,2	
20	1		••Lock shaft	••Axe de verrouillage		
21	1		••Washer	••Rondelle		
22	2		••Bushing	••Douille		
23	1		••Torsion spring	••Ressort rotatif		
24	1	725 2366-61	•Screw	•Vis	3	M6SF 6X12
25	1	432 1956-01	•Cover washer	•Rondelle protection	3	
26	8	471 8344-36	Screw	Vis	3	
27	2	432 1951-01	Bracket	Support de montage	3	
28	1	432 2620-01	Sign	Signe	3	
	1	432 2620-02	Sign	Signe	3	Wascomat
	1	432 2620-07	Sign	Signe	3	
	1	432 2620-04	Sign	Signe	3	Zanussi
	1	432 2620-08	Sign	Signe	3	
29	2	471 8471-01	Pop rivet	Rivet	3	
30	1	438 8111-02	Rubber strip	Joint caoutchouc	3	L=1255



Issue	Month	Year
02	08	03

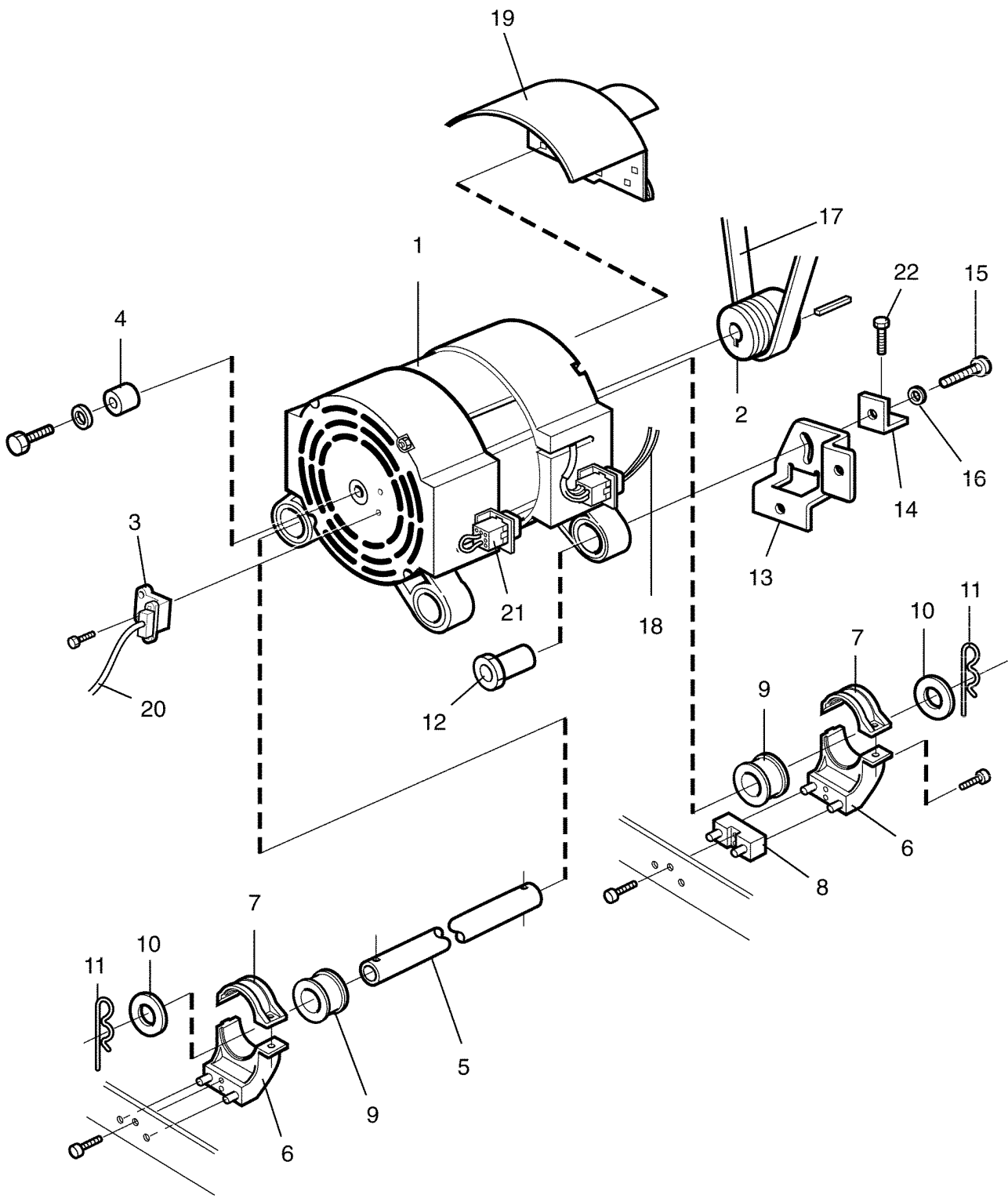
**E630,W630,W630c,W630s**

**Door lock**

**Serrure de porte**

Illustration Issue Month Year  
Schéma Issue Month Year  
**101776/2 3 10 2003**

Item Article	Qua. Qua.	Art.No Réf. article	Description	Description	Info Info	Notes Remarques
<b>1</b>	1	<b>472 9913-72</b>	Door locking device	Serrure de porte	1,2	Conversion kit -595/12233
<b>2</b>	1		Lock plate	Case de serrure		
<b>3</b>	1		Catch	Dispositif blocage		
<b>4</b>	1	<b>471 9679-01</b>	Microswitch	Microrupteur	1,2	
<b>5</b>	1		Actuator	Actuateur		
<b>6</b>	2		Screw	Vis		M5X16
<b>7</b>	1	<b>432 1960-01</b>	Cover	Couvercle	3	
<b>8</b>	1		Plate	Cloison		
<b>9</b>	2		Locking nut	Contre-écrou		M5
<b>10</b>	1	<b>438 9561-01</b>	Door locking device	Serrure de porte	1,2	Complete 595/12234-
<b>11</b>	3	<b>471 8342-47</b>	Screw	Vis	3	M6X25
<b>12</b>	1	<b>432 2905-01</b>	Cable set	Jeu de câbles	3	



Issue	Month	Year
05	12	02



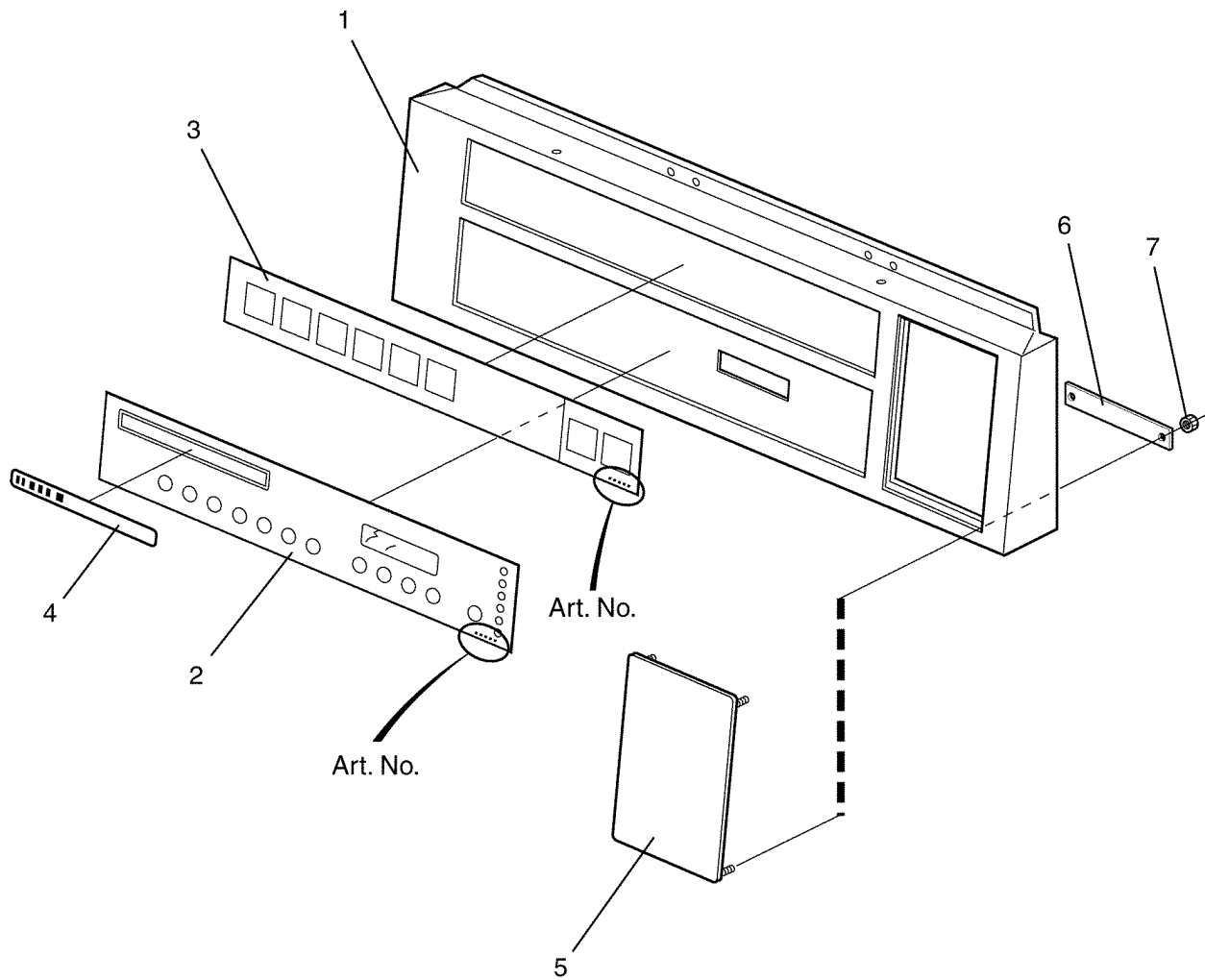
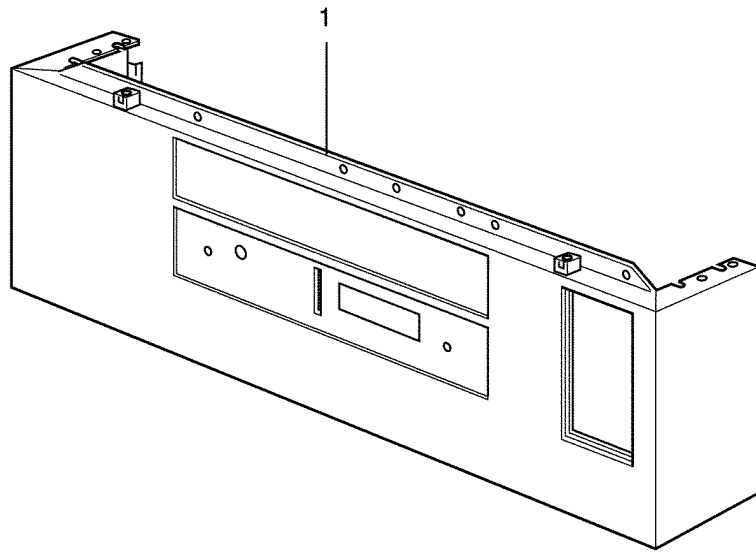
**E630,W630,W630c,W630s**

**Motor**

**Moteur**

Illustration Issue Month Year  
Schéma Issue Month Year  
**101920/5 6 1 2004**

Item Article	Qua. Qua.	Art.No Réf. article	Description	Description	Info Info	Notes Remarques
<b>1</b>	1	<b>438 9709-31</b>	Motor	Moteur	1,2	380-415V 3AC 50Hz Complete
	1	<b>438 9700-31</b>	Motor	Moteur	1,2	415-480V 3AC 60Hz Complete
	1	<b>438 9709-32</b>	Motor	Moteur	1,2	190-200V 3AC 50Hz Complete
	1	<b>438 9700-32</b>	Motor	Moteur	1,2	200-240V 3AC 60 Hz Complete
	1	<b>438 9709-33</b>	Motor	Moteur	1,2	400-415/230V 3AC 50Hz Complete
	1	<b>438 9709-34</b>	Motor	Moteur	1,2	220-240V 1AC 50Hz Complete
	1	<b>438 9700-37</b>	Motor	Moteur	1,2	208-240V 1AC 60Hz Complete
<b>2</b>	1	<b>432 1210-06</b>	•Pulley	•Poulie	3	50Hz
	1	<b>432 1210-07</b>	•Pulley	•Poulie	3	60Hz
<b>3</b>	1	<b>432 3901-01</b>	•Sensor/transducer	•Capteur	1,2	
<b>4</b>	1	<b>432 3905-01</b>	•Magnet	•Aimant	3	
<b>5</b>	1	<b>438 0016-11</b>	•Pipe	•Tube	3	
<b>6</b>	2	<b>432 1463-01</b>	Bracket	Support de montage	3	
<b>7</b>	2	<b>432 1472-01</b>	Clamp	Bride de fixation	3	
<b>8</b>	-					Not used
<b>9</b>	2	<b>438 0013-01</b>	Damper	Amortisseur	3	
<b>10</b>	2	<b>471 8502-24</b>	Washer	Rondelle	3	12x35
<b>11</b>	2	<b>471 7867-01</b>	Pin	Goupille/broche	3	
<b>12</b>	1	<b>432 1465-01</b>	Flange bushing	Douille à bride	3	
<b>13</b>	1		Belt tensioner	Tendeur de courroie		
<b>14</b>	1	<b>432 1455-01</b>	Washer	Rondelle	3	
<b>15</b>	1	<b>725 2538-51</b>	Screw	Vis	3	M12X35
<b>16</b>	1	<b>471 8502-10</b>	Washer	Rondelle	3	12x35
<b>17</b>	1	<b>471 7711-08</b>	Ribbed belt	Ribbed belt	1,2	
<b>18</b>	1	<b>432 2992-01</b>	Cable set	Jeu de câbles	3	
<b>19</b>	1	<b>432 1474-01</b>	Drip guard	Lèche-goutte	3	
<b>20</b>	1	<b>432 3083-36</b>	Cable set	Jeu de câbles	3	
<b>21</b>	1	<b>471 8748-01</b>	Cables	Câble	3	230V
	1	<b>471 8748-03</b>	Cables	Câble	3	230V/400V
<b>22</b>	1	<b>471 8319-02</b>	Screw	Vis	3	M8X50



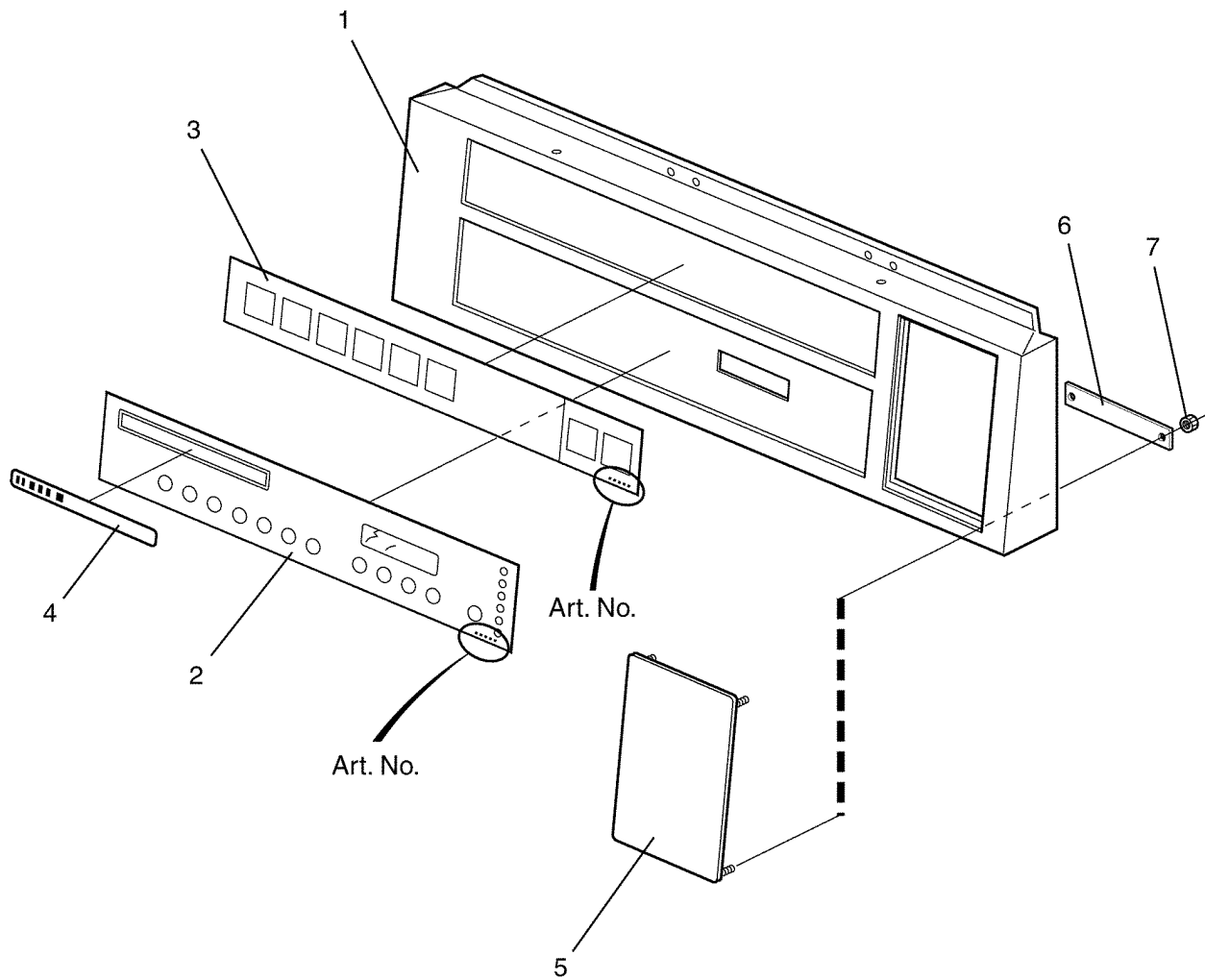
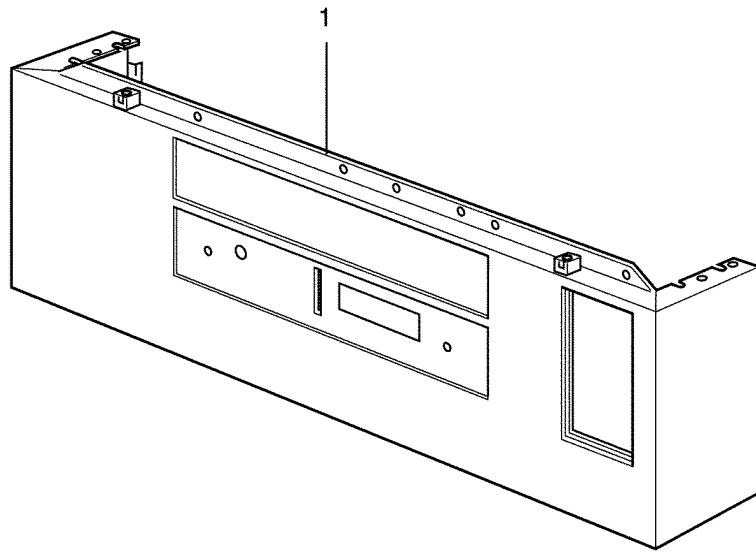
**E630,W630,W630c,W630s**

**Control panel Exacta**

**Pupitre de commande Exacta**

Illustration Issue Month Year  
Schéma Issue Month Year  
**101769/3 3 6 2003**

Item Article	Qua. Qua.	Art.No Réf. article	Description	Description	Info Info	Notes Remarques
1	1	432 2011-02	Front panel	Panneau avant	3	
	1	432 2013-02	Front panel	Panneau avant	3	USA
2	1	432 2720-01	Panel sign	Voyant du tableau	1	Program 2A01, 2G41
	1	432 2720-02	Panel sign	Voyant du tableau	1	Program 2H11
	1	432 2720-03	Panel sign	Voyant du tableau	1	Program 2G01
	1	432 2720-04	Panel sign	Voyant du tableau	1	Program 2W01, 2H01, 2H02, 2M11, 2F01, 2F02
	1	432 2720-11	Panel sign	Voyant du tableau	1	Program 2L31
	1	432 2720-06	Panel sign	Voyant du tableau	1	Program 2L01, 2L02
	1	432 2720-05	Panel sign	Voyant du tableau	1	Program 2L41
	1	432 2720-14	Panel sign	Voyant du tableau	1	Program 2L51
	1	432 2720-08	Panel sign	Voyant du tableau	1	Program 2M01
	1	432 2720-09	Panel sign	Voyant du tableau	1	Program 2H21
	1	432 2720-10	Panel sign	Voyant du tableau	1	Program 2L11, 2L12
	1	432 2720-12	Panel sign	Voyant du tableau	1	Program 2R01
	1	432 2720-15	Panel sign	Voyant du tableau	1	Program 2S01
	1	432 2720-13	Panel sign	Voyant du tableau	1	Program 2A11
3	1	432 2649-03	Instruction plate	Plaque instruction utilisation	3	Program 2G41 Japanese
	1	432 2649-04	Instruction plate	Plaque instruction utilisation	3	Program 2W41 Japanese
	1	432 2649-05	Instruction plate	Plaque instruction utilisation	3	Program 2L41 Japanese
	1	432 2649-06	Instruction plate	Plaque instruction utilisation	3	Program 2L51 Japanese
	1	432 2649-07	Instruction plate	Plaque instruction utilisation	3	Program 2H42 Japanese
	1	432 2649-20	Instruction plate	Plaque instruction utilisation	3	Program 2A01 English
	1	432 2649-21	Instruction plate	Plaque instruction utilisation	3	Program 2M01 French
	1	432 2649-22	Instruction plate	Plaque instruction utilisation	3	Program 2M11, Mop Danish
	1	432 2649-23	Instruction plate	Plaque instruction utilisation	1	Program 2H12 Swedish
	1	432 2649-24	Instruction plate	Plaque instruction utilisation	1	Program 2M12 Swedish
	1	432 2649-25	Instruction plate	Plaque instruction utilisation	3	Program 2C01 Spanish
	1	432 2649-26	Instruction plate	Plaque instruction utilisation	3	Program 2A01 Danish
	1	432 2649-27	Instruction plate	Plaque instruction utilisation	3	Program 2A01 Swedish
	1	432 2649-28	Instruction plate	Plaque instruction utilisation	3	Program 2L01 English
	1	432 2650-02	Instruction plate	Plaque instruction utilisation	3	Program 2A01 Danish
	1	432 2650-03	Instruction plate	Plaque instruction utilisation	3	Program 2H11 Swedish
	1	432 2650-04	Instruction plate	Plaque instruction utilisation	3	Program 2W01, Aqua Clean Swedish
	1	432 2650-05	Instruction plate	Plaque instruction utilisation	3	Program 2L41 Japanese
	1	432 2650-06	Instruction plate	Plaque instruction utilisation	3	Program 2S01, Selecta USA
	1	432 2650-07	Instruction plate	Plaque instruction utilisation	3	Program 2G01 English
	1	432 2650-08	Instruction plate	Plaque instruction utilisation	3	Program 2G01 German
	1	432 2650-09	Instruction plate	Plaque instruction utilisation	3	Program 2G01 French
	1	432 2650-10	Instruction plate	Plaque instruction utilisation	3	
	1	432 2650-11	Instruction plate	Plaque instruction utilisation	3	Program 2L31, Emerald USA
	1	432 2650-12	Instruction plate	Plaque instruction utilisation	3	Program 2L01 English
	1	432 2650-13	Instruction plate	Plaque instruction utilisation	3	Program 2M01, Mop English
	1	432 2650-14	Instruction plate	Plaque instruction utilisation	3	Program 2W01, Aqua Clean English
	1	432 2650-16	Instruction plate	Plaque instruction utilisation	3	Program 2H21, Hygienic Danish
	1	432 2650-17	Instruction plate	Plaque instruction utilisation	3	Program 2L11, Thermoboost German
	1	432 2650-18	Instruction plate	Plaque instruction utilisation	3	Program 2L12, Laundrette German
	1	432 2650-19	Instruction plate	Plaque instruction utilisation	3	Program 2H02, Selecta Danish
	1	432 2650-20	Instruction plate	Plaque instruction utilisation	3	Program 2H01, Hospital English
	1	432 2650-22	Instruction plate	Plaque instruction utilisation	3	Program 2A01, W3130 Swedish
	1	432 2650-25	Instruction plate	Plaque instruction utilisation	3	Program 2M11, Mop Swedish
	1	432 2650-26	Instruction plate	Plaque instruction utilisation	3	Program 2F01, Farm Swedish
	1	432 2650-27	Instruction plate	Plaque instruction utilisation	3	Program 2R01, QSR Swedish
	1	432 2650-28	Instruction plate	Plaque instruction utilisation	3	Program 2F01, Farm English
	1	432 2650-29	Instruction plate	Plaque instruction utilisation	3	Program 2R01, QSR English



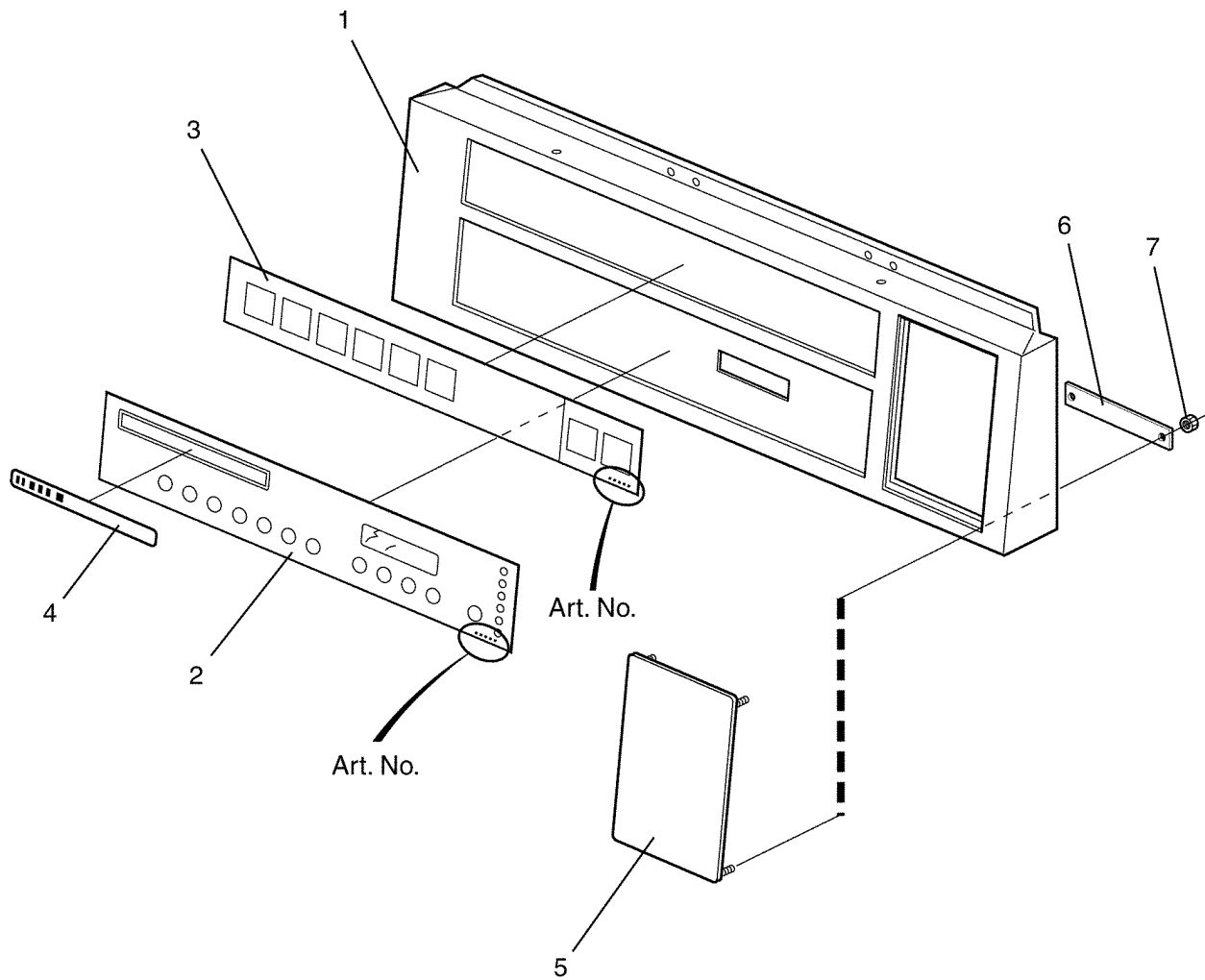
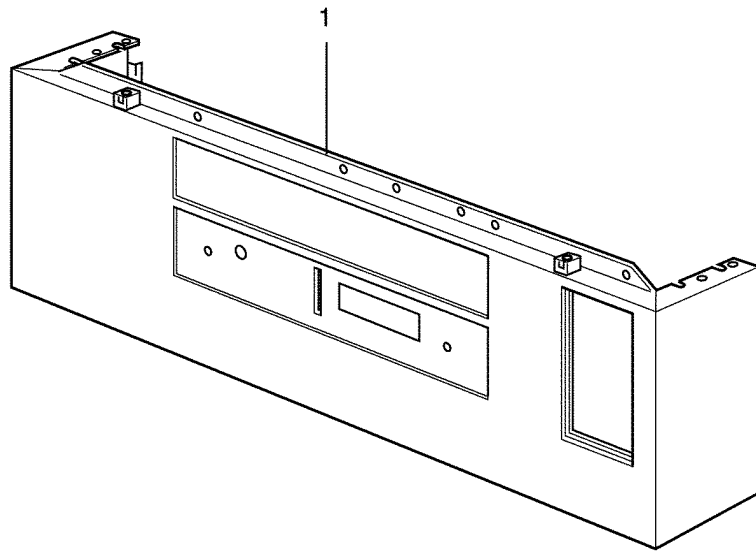
**E630,W630,W630c,W630s**

**Control panel Exacta**

**Pupitre de commande Exacta**

Illustration    Issue    Month    Year  
Schéma        Issue    Month    Year  
**101769/3    3        6        2003**

Item Article	Qua. Qua.	Art.No Réf. article	Description	Description	Info Info	Notes Remarques
	1	<b>432 2650-30</b>	Instruction plate	Plaque instruction utilisation	3	Program 2F01, Farm German
	1	<b>432 2650-31</b>	Instruction plate	Plaque instruction utilisation	3	Program 2F02, Westfalla German
	1	<b>432 2650-32</b>	Instruction plate	Plaque instruction utilisation	3	Program 2L01 German
	1	<b>432 2650-33</b>	Instruction plate	Plaque instruction utilisation	3	Program 2M01, Mop German
	1	<b>432 2650-34</b>	Instruction plate	Plaque instruction utilisation	3	Program 2R01, QSR German
	1	<b>432 2650-35</b>	Instruction plate	Plaque instruction utilisation	3	Program 2W01, Aqua Clean German
	1	<b>432 2650-36</b>	Instruction plate	Plaque instruction utilisation	3	Program 2H21, Hygienic, Nyborg English
	1	<b>432 2650-37</b>	Instruction plate	Plaque instruction utilisation	3	Program 2L12, Nyborg English
	1	<b>432 2650-38</b>	Instruction plate	Plaque instruction utilisation	3	Program 2F01, Farm French
	1	<b>432 2650-39</b>	Instruction plate	Plaque instruction utilisation	3	Program 2L01 French
	1	<b>432 2650-40</b>	Instruction plate	Plaque instruction utilisation	3	Program 2L02, Mench French
	1	<b>432 2650-41</b>	Instruction plate	Plaque instruction utilisation	3	Program 2R01, QSR French
	1	<b>432 2650-42</b>	Instruction plate	Plaque instruction utilisation	3	Program 2W01, Aqua Clean French
	1	<b>432 2650-43</b>	Instruction plate	Plaque instruction utilisation	3	Program 2L12 French
	1	<b>432 2650-44</b>	Instruction plate	Plaque instruction utilisation	3	Program 2F01, Farm Italian
	1	<b>432 2650-45</b>	Instruction plate	Plaque instruction utilisation	3	Program 2G01 Italian
	1	<b>432 2650-46</b>	Instruction plate	Plaque instruction utilisation	3	Program 2R01, QSR Italian
	1	<b>432 2650-47</b>	Instruction plate	Plaque instruction utilisation	3	Program 2L12 Italian
	1	<b>432 2650-48</b>	Instruction plate	Plaque instruction utilisation	3	Program 2W01, Aqua Clean Italian
	1	<b>432 2650-49</b>	Instruction plate	Plaque instruction utilisation	3	Program 2F01, Farm Spanish
	1	<b>432 2650-50</b>	Instruction plate	Plaque instruction utilisation	3	Program 2G01 Spanish
	1	<b>432 2650-51</b>	Instruction plate	Plaque instruction utilisation	3	Program 2L01 Spanish
	1	<b>432 2650-52</b>	Instruction plate	Plaque instruction utilisation	3	Program 2R01, QSR Spanish
	1	<b>432 2650-53</b>	Instruction plate	Plaque instruction utilisation	3	Program 2W01, Aqua Clean Spanish
	1	<b>432 2650-54</b>	Instruction plate	Plaque instruction utilisation	3	Program 2L12 Spanish
	1	<b>432 2650-55</b>	Instruction plate	Plaque instruction utilisation	3	Program 2F01, Farm Dutch
	1	<b>432 2650-56</b>	Instruction plate	Plaque instruction utilisation	3	Program 2G01 Dutch
	1	<b>432 2650-57</b>	Instruction plate	Plaque instruction utilisation	3	Program 2L01 Dutch
	1	<b>432 2650-58</b>	Instruction plate	Plaque instruction utilisation	3	Program 2L02, Mench Dutch
	1	<b>432 2650-59</b>	Instruction plate	Plaque instruction utilisation	3	Program 2R01, QSR Dutch
	1	<b>432 2650-60</b>	Instruction plate	Plaque instruction utilisation	3	Program 2W01, Aqua Clean Dutch
	1	<b>432 2650-61</b>	Instruction plate	Plaque instruction utilisation	3	Program 2L12, Nyborg Dutch
	1	<b>432 2650-62</b>	Instruction plate	Plaque instruction utilisation	3	Program 2F01, Farm Danish
	1	<b>432 2650-63</b>	Instruction plate	Plaque instruction utilisation	3	Program 2G01 Danish
	1	<b>432 2650-64</b>	Instruction plate	Plaque instruction utilisation	3	Program 2L01 Danish
	1	<b>432 2650-65</b>	Instruction plate	Plaque instruction utilisation	3	Program 2R01, QSR Danish
	1	<b>432 2650-66</b>	Instruction plate	Plaque instruction utilisation	3	Program 2W01, Aqua Clean Danish
	1	<b>432 2650-67</b>	Instruction plate	Plaque instruction utilisation	3	Program 2A01 Finnish
	1	<b>432 2650-68</b>	Instruction plate	Plaque instruction utilisation	3	Program 2F01, Farm Finnish
	1	<b>432 2650-69</b>	Instruction plate	Plaque instruction utilisation	3	Program 2G01 Finnish
	1	<b>432 2650-70</b>	Instruction plate	Plaque instruction utilisation	3	Program 2L01 Finnish
	1	<b>432 2650-71</b>	Instruction plate	Plaque instruction utilisation	3	Program 2M11, Mop Finnish
	1	<b>432 2650-72</b>	Instruction plate	Plaque instruction utilisation	3	Program R01 Finnish
	1	<b>432 2650-73</b>	Instruction plate	Plaque instruction utilisation	3	Program 2W01, Aqua Clean Finnish
	1	<b>432 2650-74</b>	Instruction plate	Plaque instruction utilisation	3	Program 2A01 Norwegian
	1	<b>432 2650-75</b>	Instruction plate	Plaque instruction utilisation	3	Program 2F01, Farm Norwegian
	1	<b>432 2650-76</b>	Instruction plate	Plaque instruction utilisation	3	Program 2G01 Norwegian
	1	<b>432 2650-77</b>	Instruction plate	Plaque instruction utilisation	3	Program 2L01 Norwegian
	1	<b>432 2650-78</b>	Instruction plate	Plaque instruction utilisation	3	Program 2M11, Mop Norwegian
	1	<b>432 2650-79</b>	Instruction plate	Plaque instruction utilisation	3	Program 2R01, QSR Norwegian



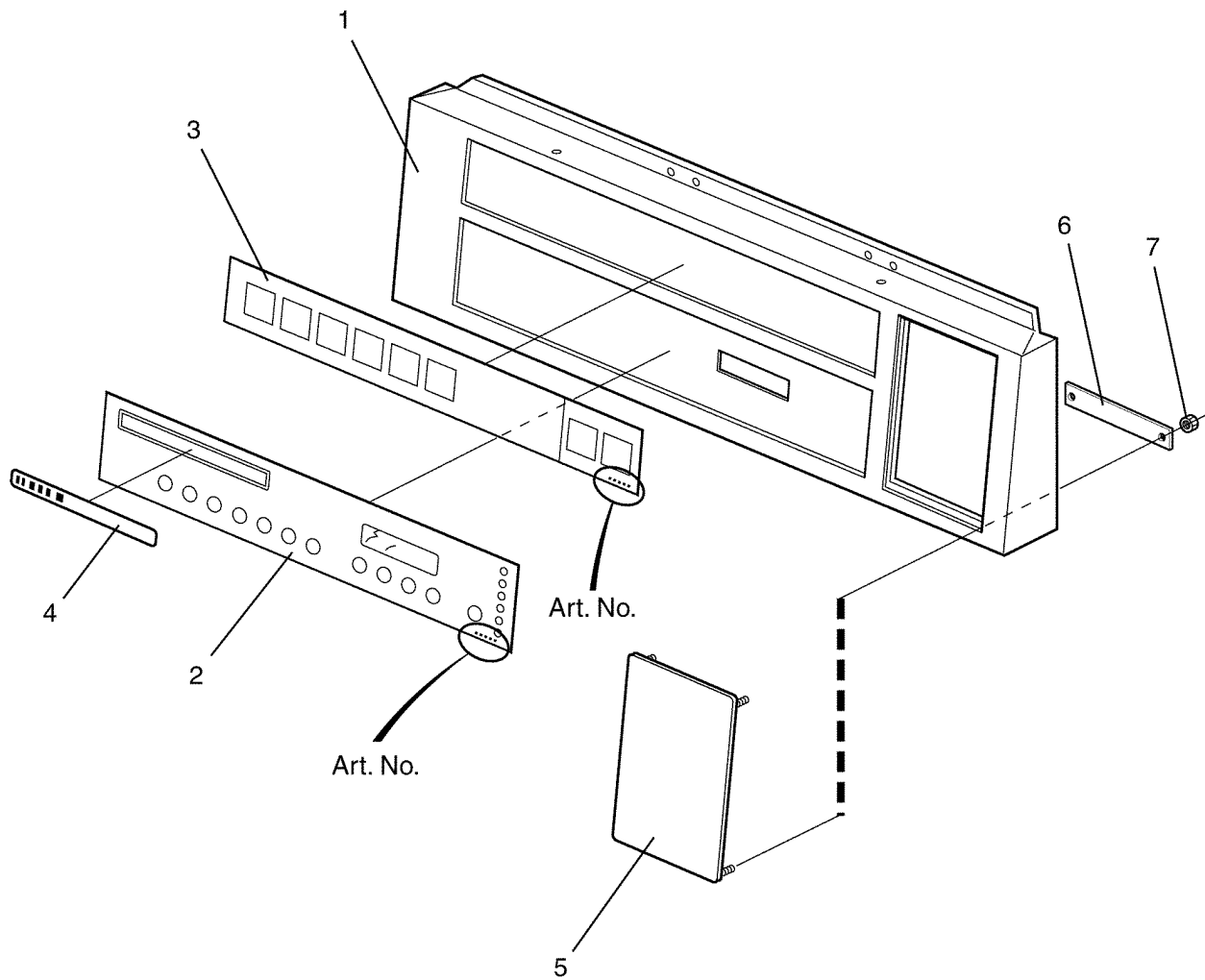
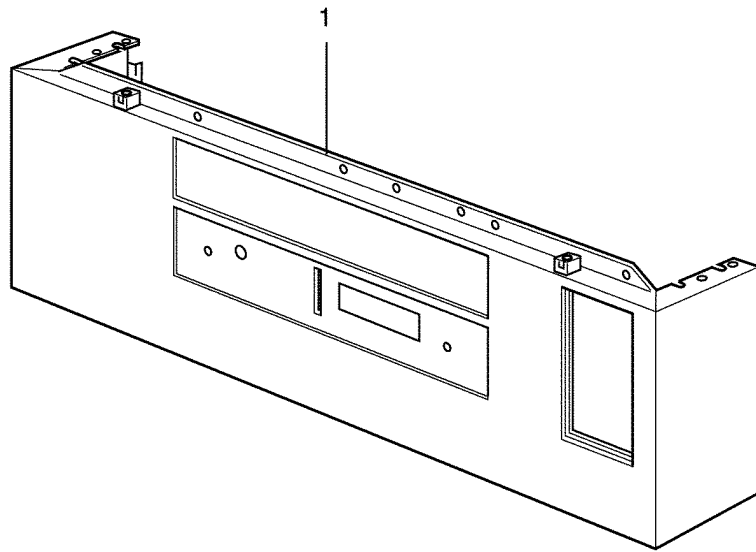
**E630,W630,W630c,W630s**

**Control panel Exacta**

**Pupitre de commande Exacta**

Illustration    Issue    Month    Year  
Schéma        Issue    Month    Year  
**101769/3    3        6        2003**

Item Article	Qua. Qua.	Art.No Réf. article	Description	Description	Info Info	Notes Remarques
	1	<b>432 2650-80</b>	Instruction plate	Plaque instruction utilisation	3	Program 2W01, Aqua Clean Norwegian
	1	<b>432 2650-81</b>	Instruction plate	Plaque instruction utilisation	3	Program 2L12, Nyborg Norwegian
	1	<b>432 2650-82</b>	Instruction plate	Plaque instruction utilisation	3	Program 2F01 Polish
	1	<b>432 2650-83</b>	Instruction plate	Plaque instruction utilisation	3	Program 2G01 Polish
	1	<b>432 2650-84</b>	Instruction plate	Plaque instruction utilisation	3	Program 2L01 Polish
	1	<b>432 2650-85</b>	Instruction plate	Plaque instruction utilisation	3	Program 2R01, QSR Polish
	1	<b>432 2650-86</b>	Instruction plate	Plaque instruction utilisation	3	Program 2W01, Aqua Clean Polish
	1	<b>432 2650-87</b>	Instruction plate	Plaque instruction utilisation	3	Program 2L12, Nyborg Polish
	1	<b>432 2650-88</b>	Instruction plate	Plaque instruction utilisation	3	Program 2L31, Emerald Spanish
	1	<b>432 2650-89</b>	Instruction plate	Plaque instruction utilisation	3	Program 2S01, Selecta Spanish
	1	<b>432 2650-90</b>	Instruction plate	Plaque instruction utilisation	3	Program 2L31, Emerald French
	1	<b>432 2650-91</b>	Instruction plate	Plaque instruction utilisation	3	Program 2S01, Selecta French
	1	<b>432 2650-92</b>	Instruction plate	Plaque instruction utilisation	3	Program 2L01 Italian, English
	1	<b>432 2650-93</b>	Instruction plate	Plaque instruction utilisation	3	Program 2A11 Mats/heavy laundry, Swedish
	1	<b>432 2650-94</b>	Instruction plate	Plaque instruction utilisation	3	Program 2A11 Mats/heavy laundry, Danish
	1	<b>432 2650-95</b>	Instruction plate	Plaque instruction utilisation	3	Program 2A11 Mats/heavy laundry, Norwegian
	1	<b>432 2650-96</b>	Instruction plate	Plaque instruction utilisation	3	Program 2A11 Mats/heavy laundry, Finnish
	1	<b>432 2650-97</b>	Instruction plate	Plaque instruction utilisation	3	Program 2F02, Westfalla Swedish
	1	<b>432 2650-98</b>	Instruction plate	Plaque instruction utilisation	3	Program 2H11 Finnish/Swedish
	1	<b>432 2652-05</b>	Instruction plate	Plaque instruction utilisation	3	Program 2A01, W3180 Swedish
	1	<b>432 2652-06</b>	Instruction plate	Plaque instruction utilisation	3	Program 2G01 Swedish
	1	<b>432 2652-07</b>	Instruction plate	Plaque instruction utilisation	3	Program 2G01 English
	1	<b>432 2652-08</b>	Instruction plate	Plaque instruction utilisation	3	Program 2L01 English
	1	<b>432 2652-09</b>	Instruction plate	Plaque instruction utilisation	3	Program 2G01 German
	1	<b>432 2652-10</b>	Instruction plate	Plaque instruction utilisation	3	Program 2L01 German
	1	<b>432 2652-11</b>	Instruction plate	Plaque instruction utilisation	3	Program 2L12 German
	1	<b>432 2652-12</b>	Instruction plate	Plaque instruction utilisation	3	Program 2G01 French
	1	<b>432 2652-13</b>	Instruction plate	Plaque instruction utilisation	3	Program 2L01 French
	1	<b>432 2652-14</b>	Instruction plate	Plaque instruction utilisation	3	Program 2L12 French
	1	<b>432 2652-15</b>	Instruction plate	Plaque instruction utilisation	3	Program 2G01 Italian
	1	<b>432 2652-16</b>	Instruction plate	Plaque instruction utilisation	3	Program 2L12 Italian
	1	<b>432 2652-17</b>	Instruction plate	Plaque instruction utilisation	3	Program 2G01 Spanish
	1	<b>432 2652-18</b>	Instruction plate	Plaque instruction utilisation	3	Program 2L01 Spanish
	1	<b>432 2652-19</b>	Instruction plate	Plaque instruction utilisation	3	Program 2L12 Spanish
	1	<b>432 2652-20</b>	Instruction plate	Plaque instruction utilisation	3	Program 2G01 Dutch
	1	<b>432 2652-21</b>	Instruction plate	Plaque instruction utilisation	3	Program 2L01 Dutch
	1	<b>432 2652-22</b>	Instruction plate	Plaque instruction utilisation	3	Program 2L12 Dutch
	1	<b>432 2652-23</b>	Instruction plate	Plaque instruction utilisation	3	Program 2A01 Danish
	1	<b>432 2652-24</b>	Instruction plate	Plaque instruction utilisation	3	Program 2G01 Danish
	1	<b>432 2652-25</b>	Instruction plate	Plaque instruction utilisation	3	Program 2L01 Danish
	1	<b>432 2652-26</b>	Instruction plate	Plaque instruction utilisation	3	Program 2H21 Danish
	1	<b>432 2652-27</b>	Instruction plate	Plaque instruction utilisation	3	Program 2A01 Finnish
	1	<b>432 2652-28</b>	Instruction plate	Plaque instruction utilisation	3	Program 2G01 Finnish
	1	<b>432 2652-29</b>	Instruction plate	Plaque instruction utilisation	3	Program 2L01 Finnish
	1	<b>432 2652-30</b>	Instruction plate	Plaque instruction utilisation	3	Program 2A01 Norwegian
	1	<b>432 2652-31</b>	Instruction plate	Plaque instruction utilisation	3	Program 2G01 Norwegian
	1	<b>432 2652-32</b>	Instruction plate	Plaque instruction utilisation	3	Program 2L01 Norwegian
	1	<b>432 2652-33</b>	Instruction plate	Plaque instruction utilisation	3	Program 2L12 Norwegian
	1	<b>432 2652-34</b>	Instruction plate	Plaque instruction utilisation	3	Program 2G01 Polish
	1	<b>432 2652-35</b>	Instruction plate	Plaque instruction utilisation	3	Program 2L01 Polish





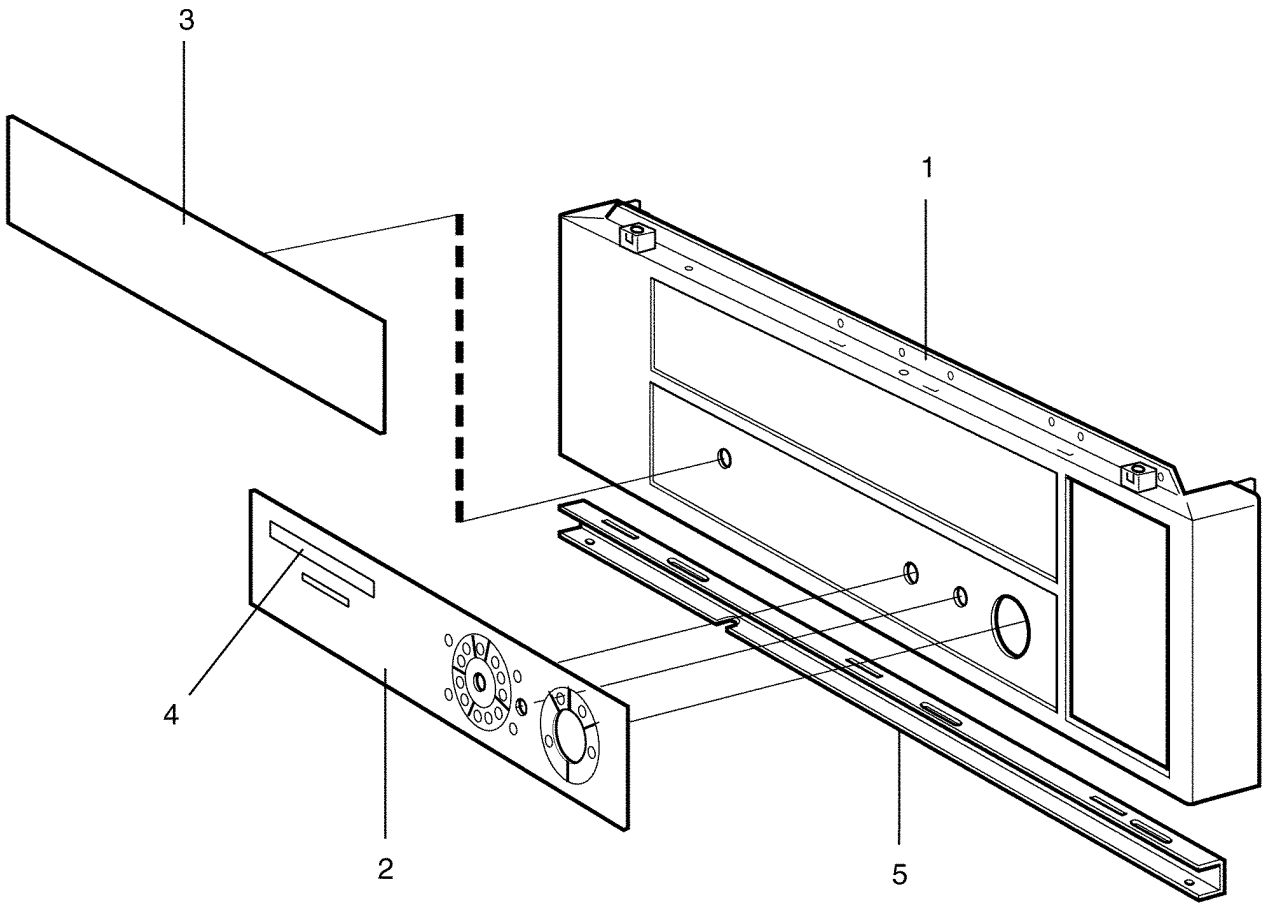
**E630,W630,W630c,W630s**

**Control panel Exacta**

**Pupitre de commande Exacta**

Illustration Issue Month Year  
Schéma Issue Month Year  
**101769/3 3 6 2003**

Item Article	Qua. Qua.	Art.No Réf. article	Description	Description	Info Info	Notes Remarques
	1	<b>432 2652-36</b>	Instruction plate	Plaque instruction utilisation	3	Program 2L12 Polish
	1	<b>432 2652-37</b>	Instruction plate	Plaque instruction utilisation	3	Program 2L01 Italian
	1	<b>432 2652-38</b>	Instruction plate	Plaque instruction utilisation	3	Program 2L11 German
	1	<b>432 2652-39</b>	Instruction plate	Plaque instruction utilisation	3	Program 2A01 Danish
	1	<b>432 2652-40</b>	Instruction plate	Plaque instruction utilisation	3	Program 2A01 Swedish
	1	<b>432 2652-41</b>	Instruction plate	Plaque instruction utilisation	3	Program 2L01 English
<b>4</b>	1	<b>432 2603-20</b>	Type plate	Numéro série plaque	3	W3130N
	1	<b>432 2603-13</b>	Type plate	Numéro série plaque	3	W630c Super Junior
	1	<b>432 2603-14</b>	Type plate	Numéro série plaque	3	W630 Super Junior
	1	<b>432 2603-15</b>	Type plate	Numéro série plaque	3	W630s Super Junior
	1	<b>432 2603-16</b>	Type plate	Numéro série plaque	3	E630 Super Junior
<b>5</b>	1	<b>432 2150-01</b>	Cover plate	Couvercle	3	
<b>6</b>	2	<b>432 2181-01</b>	Lock washer	Rondelle d'arrêt	3	
<b>7</b>	4	<b>732 2112-01</b>	Locking nut	Contre-écrou	3	M4



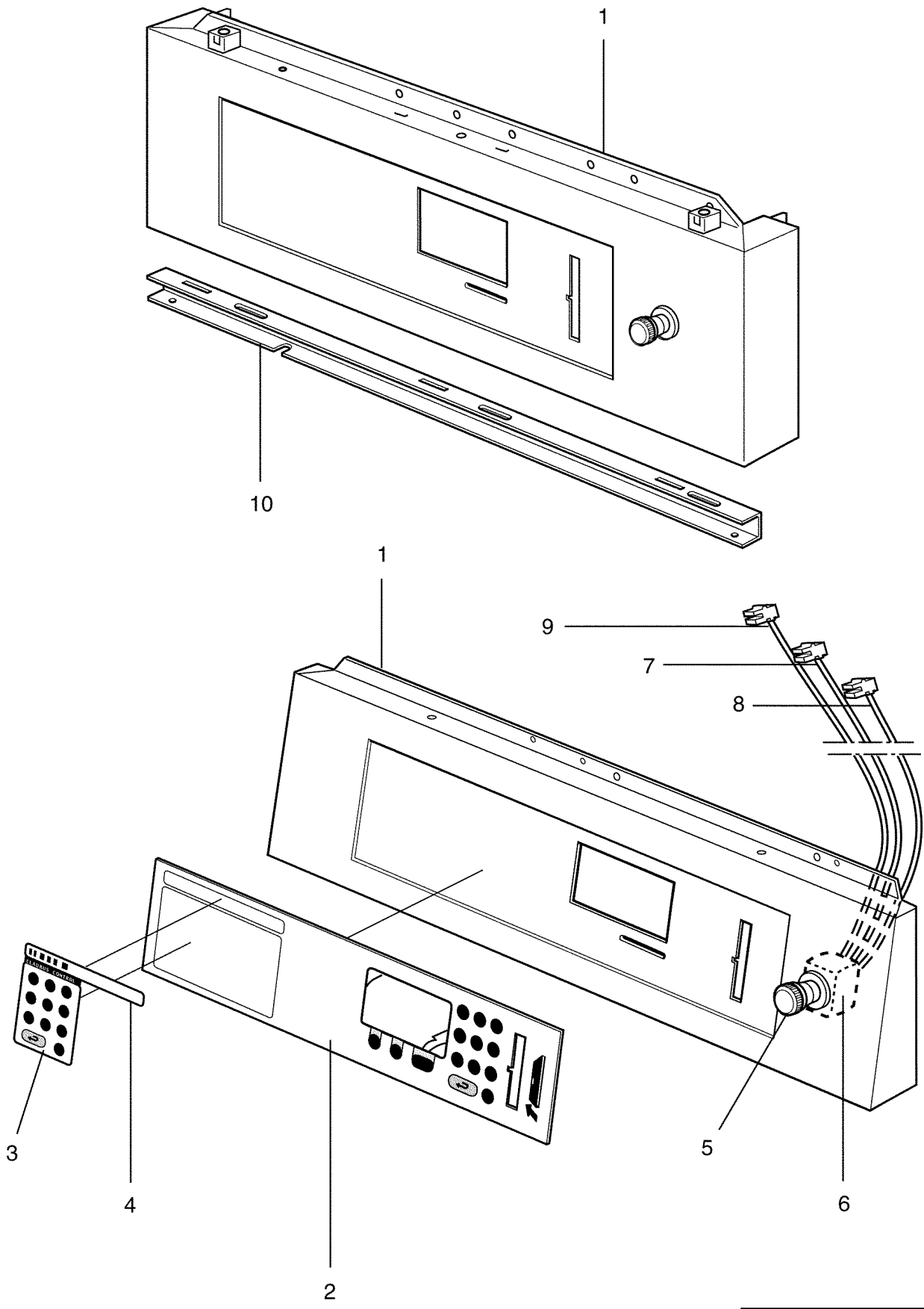
**E630,W630,W630c,W630s**

**Control panel Classic**

**Pupitre de commande Classic**

Illustration Issue Month Year  
Schéma Issue Month Year  
**101949/3 4 6 2003**

Item Article	Qua. Qua.	Art.No Réf. article	Description	Description	Info Info	Notes Remarques
<b>1</b>	1	<b>432 2014-02</b>	Front panel	Panneau avant	3	
<b>2</b>	1	<b>432 2802-01</b>	Panel sign	Voyant du tableau	1,2	OG01
	1	<b>432 2802-40</b>	Panel sign	Voyant du tableau	1,2	OL02
	1	<b>432 2802-80</b>	Panel sign	Voyant du tableau	1,2	OL03
<b>3</b>	1	<b>432 2851-01</b>	Instruction plate	Plaque instruction utilisation	3	OG01 English Without coin meter
	1	<b>432 2851-02</b>	Instruction plate	Plaque instruction utilisation	3	OG01 English With coin meter
	1	<b>432 2851-04</b>	Instruction plate	Plaque instruction utilisation	3	OG01 German Without coin meter
	1	<b>432 2851-05</b>	Instruction plate	Plaque instruction utilisation	3	OG01 German With coin meter
	1	<b>432 2851-07</b>	Instruction plate	Plaque instruction utilisation	3	OG01 Italian Without coin meter
	1	<b>432 2851-08</b>	Instruction plate	Plaque instruction utilisation	3	OG01 Italian With coin meter
	1	<b>432 2851-10</b>	Instruction plate	Plaque instruction utilisation	3	OG01 French Without coin meter
	1	<b>432 2851-11</b>	Instruction plate	Plaque instruction utilisation	3	OG01 French With coin meter
	1	<b>432 2851-13</b>	Instruction plate	Plaque instruction utilisation	3	OG01 Spanish Without coin meter
	1	<b>432 2851-14</b>	Instruction plate	Plaque instruction utilisation	3	OG01 Spanish With coin meter
	1	<b>432 2851-16</b>	Instruction plate	Plaque instruction utilisation	3	OG01 Dutch Without coin meter
	1	<b>432 2851-17</b>	Instruction plate	Plaque instruction utilisation	3	OG01 Dutch With coin meter
	1	<b>432 2851-19</b>	Instruction plate	Plaque instruction utilisation	3	OG01 Norwegian Without coin meter
	1	<b>432 2851-40</b>	Instruction plate	Plaque instruction utilisation	3	OL02 English Without coin meter
	1	<b>432 2851-41</b>	Instruction plate	Plaque instruction utilisation	3	OL02 English With coin meter
	1	<b>432 2851-43</b>	Instruction plate	Plaque instruction utilisation	3	OL02 German Without coin meter
	1	<b>432 2851-44</b>	Instruction plate	Plaque instruction utilisation	3	OL02 German With coin meter
	1	<b>432 2851-46</b>	Instruction plate	Plaque instruction utilisation	3	OL02 Italian Without coin meter
	1	<b>432 2851-47</b>	Instruction plate	Plaque instruction utilisation	3	OL02 Italian With coin meter
	1	<b>432 2851-49</b>	Instruction plate	Plaque instruction utilisation	3	OL02 French Without coin meter
	1	<b>432 2851-50</b>	Instruction plate	Plaque instruction utilisation	3	OL02 French With coin meter
	1	<b>432 2851-52</b>	Instruction plate	Plaque instruction utilisation	3	OL02 Spanish Without coin meter
	1	<b>432 2851-53</b>	Instruction plate	Plaque instruction utilisation	3	OL02 Spanish With coin meter
	1	<b>432 2851-54</b>	Instruction plate	Plaque instruction utilisation	3	OL02 Dutch Without coin meter
	1	<b>432 2851-55</b>	Instruction plate	Plaque instruction utilisation	3	OL02 Dutch With coin meter
	1	<b>432 2851-80</b>	Instruction plate	Plaque instruction utilisation	3	OL03 English Without coin meter
	1	<b>432 2851-81</b>	Instruction plate	Plaque instruction utilisation	3	OL03 English With coin meter
	1	<b>432 2851-85</b>	Instruction plate	Plaque instruction utilisation	3	OL03 French Without coin meter
	1	<b>432 2851-86</b>	Instruction plate	Plaque instruction utilisation	3	OL03 French With coin meter
<b>4</b>	1	<b>432 2603-20</b>	Type plate	Numéro série plaque	3	W3130N
<b>5</b>	-					Not used



Issue	Month	Year
02	09	03

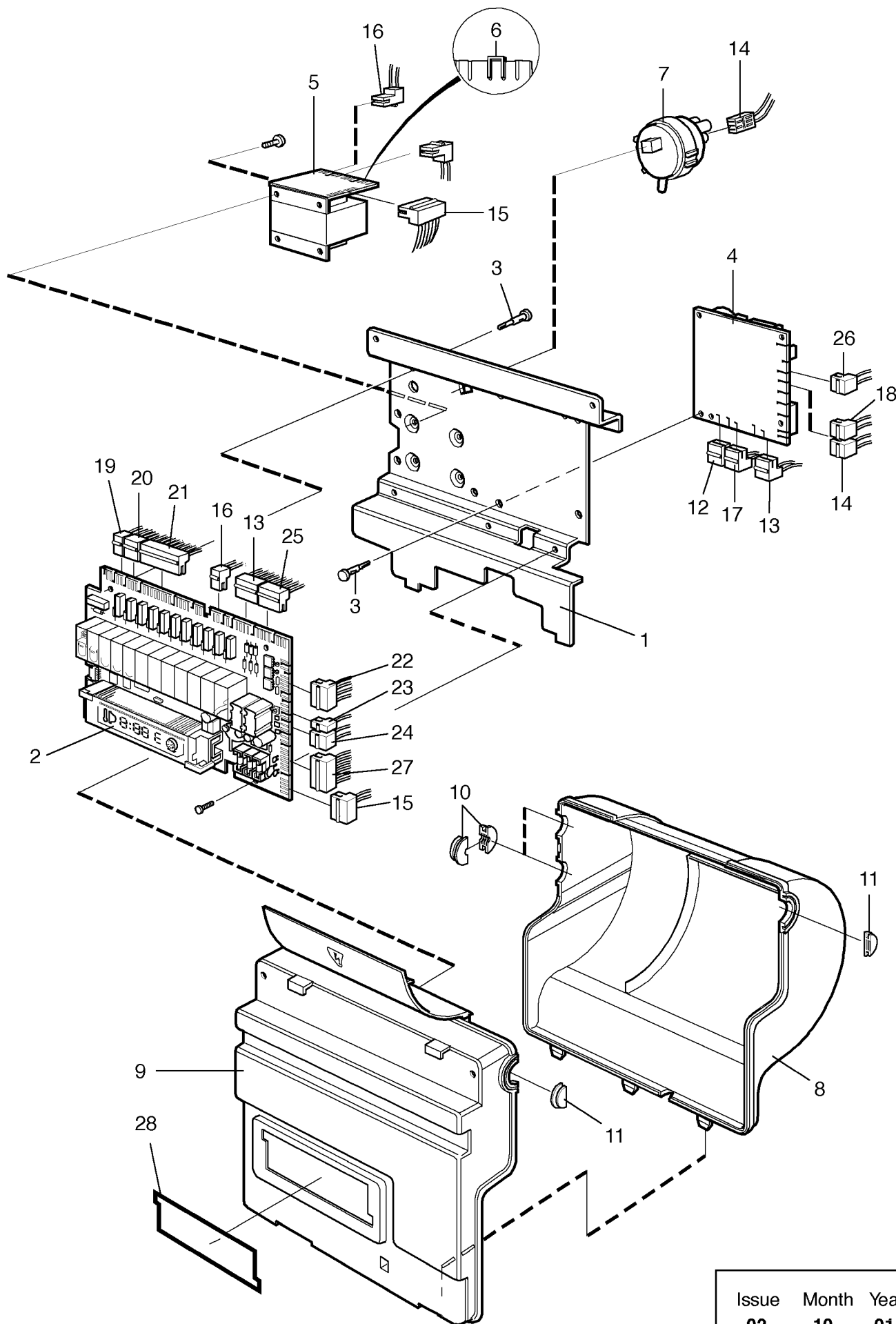
**E630,W630,W630c,W630s**

**Control panel Clarus**

**Pupitre de commande Clarus**

Illustration Issue Month Year  
Schéma Issue Month Year  
**101770/2 3 6 2003**

Item Article	Qua. Qua.	Art.No Réf. article	Description	Description	Info Info	Notes Remarques
<b>1</b>	1	<b>432 2021-02</b>	Front panel	Panneau avant	3	
<b>2</b>	1	<b>432 2750-01</b>	Control panel	Pupitre de commande	1,2	
<b>3</b>	1	<b>432 2630-01</b>	Instruction plate	Plaque instruction utilisation	3	Swedish
	1	<b>432 2630-02</b>	Instruction plate	Plaque instruction utilisation	3	English, Italian
	1	<b>432 2630-03</b>	Instruction plate	Plaque instruction utilisation	3	Japanese
	1	<b>432 2630-04</b>	Instruction plate	Plaque instruction utilisation	3	German
	1	<b>432 2630-05</b>	Instruction plate	Plaque instruction utilisation	3	French/Dutch
	1	<b>432 2630-06</b>	Instruction plate	Plaque instruction utilisation	3	Danish
	1	<b>432 2630-07</b>	Instruction plate	Plaque instruction utilisation	3	Finnish
	1	<b>432 2630-08</b>	Instruction plate	Plaque instruction utilisation	3	Norwegian
	1	<b>432 2630-09</b>	Instruction plate	Plaque instruction utilisation	3	Spanish
	1	<b>432 2630-10</b>	Instruction plate	Plaque instruction utilisation	3	Polish
<b>4</b>	1	<b>432 2603-20</b>	Type plate	Numéro série plaque	3	W3130N
	1	<b>432 2603-10</b>	Type plate	Numéro série plaque	3	W630
<b>5</b>	1	<b>471 9628-32</b>	Emergency stop	Arrêt d'urgence	1,2	
<b>6</b>	1	<b>471 9628-33</b>	Contact block	Bloc de connexion	1,2	
<b>7</b>	1	<b>432 3182-61</b>	Cable set	Jeu de câbles	3	A11-X16:1
<b>8</b>	1	<b>432 3182-72</b>	Cable set	Jeu de câbles	3	X278
<b>9</b>	1	<b>432 3182-78</b>	Cable set	Jeu de câbles	3	A11-X6
<b>10</b>	-					Not used



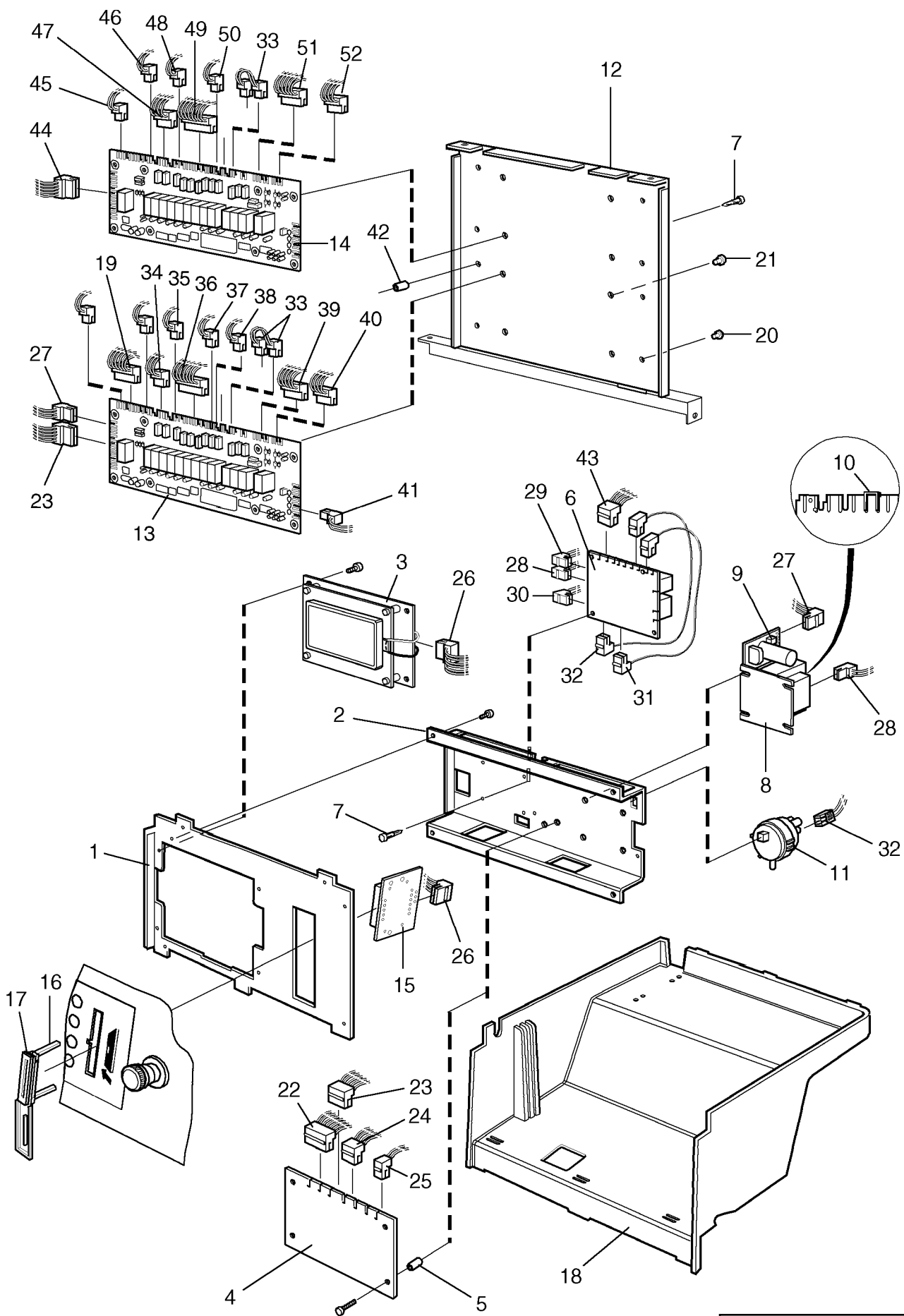
**E630,W630,W630c,W630s**

**Electrical components Exacta**

**Composants électriques Exacta**

Illustration Issue Month Year  
Schéma Issue Month Year  
**101928/2 2 10 2001**

Item Article	Qua. Qua.	Art.No Réf. article	Description	Description	Info Info	Notes Remarques
1	1	432 2167-01	Mounting plate	Plaque de montage	3	
2	1	471 8988-11	Printed circuit board	Circuit imprimé	1,2	
3	6	471 7958-02	Support	Support	3	
4	1	438 9555-11	Control unit	Organe de direction	1,2	230V
	1	438 9555-12	Control unit	Organe de direction	1,2	120V
5	1	471 9558-12	Transformer	Transformateur	1	
6	1	472 9913-43	Clamp	Bride de fixation	3	Kit 25 pcs
7	1	471 8861-01	Level guard	Limiteur de niveau	1,2	
8	1	432 3910-01	Protective cover	Couvercle de protection	3	Rear
9	1	432 3909-01	Protective cover	Couvercle de protection	3	Front
10	4	432 3907-01	Grommet	Oeillet	3	
11	2	432 3908-01	Grommet	Oeillet	3	
12	1	432 3082-35	Cable set	Jeu de câbles	3	X90-X45
13	1	432 3082-58	Cable set	Jeu de câbles	3	X31-X92
14	1	432 3182-94	Cable set	Jeu de câbles	3	X93
15	1	432 3087-05	Cable set	Jeu de câbles	3	X20-X172
16	1	432 3082-26	Cable set	Jeu de câbles	3	X33-X278
17	1	432 3082-42	Cable set	Jeu de câbles	3	X91-X178
18	1	432 3182-11	Cable set	Jeu de câbles	3	X94-X304
19	1	432 3082-36	Cable set	Jeu de câbles	3	X37-X302
20	1	432 3088-14	Cable set	Jeu de câbles	3	X36-X48
21	1	432 3087-16	Cable set	Jeu de câbles	3	X35-X43
22	1	432 3084-31	Cable set	Jeu de câbles	3	X24-X301
23	1	432 3082-75	Cable set	Jeu de câbles	3	X23
24	1	432 3082-04	Cable set	Jeu de câbles	3	X22-X40
25	1	432 3086-89	Cable set	Jeu de câbles	3	X30
26	1	432 3082-99	Cable set	Jeu de câbles	3	X96
27	1	432 3086-10	Cable set	Jeu de câbles	3	X21
28	1	432 3911-01	Gasket	Joint	3	CC



Issue	Month	Year
03	05	02



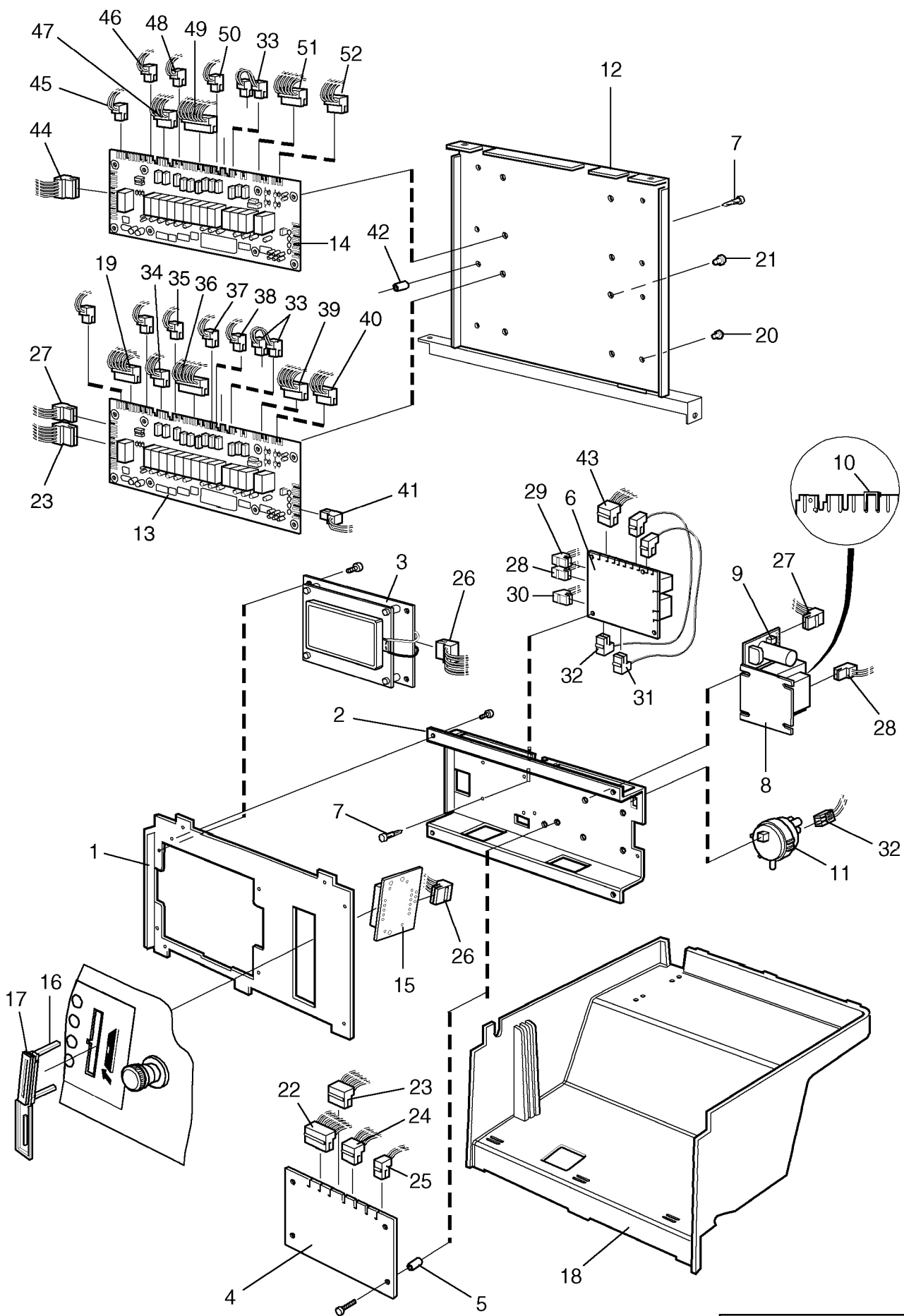
**E630,W630,W630c,W630s**

**Electrical components Clarus**

**Composants électriques Clarus**

Illustration Issue Month Year  
Schéma Issue Month Year  
**101765/3 8 6 2003**

Item Article	Qua. Qua.	Art.No Réf. article	Description	Description	Info Info	Notes Remarques
1	1	432 2159-01	Mounting plate	Plaque de montage	3	
2	1	432 2160-01	Mounting plate	Plaque de montage	3	
3	1	471 8997-02	Display	Ecran de contrôle	1,2	
4	1	471 8993-01	Printed circuit board	Circuit imprimé	1,2	Not configured
	1	438 7123-01	Printed circuit board	Circuit imprimé	1,2	7G01, 1 I/O-card Danish
	1	438 7123-02	Printed circuit board	Circuit imprimé	1,2	7G01, 1 I/O-card Dutch
	1	438 7123-03	Printed circuit board	Circuit imprimé	1,2	7G01, 1 I/O-card English
	1	438 7123-04	Printed circuit board	Circuit imprimé	1,2	7G02, 1 I/O-card GB English
	1	438 7123-05	Printed circuit board	Circuit imprimé	1,2	7G02, 1 I/O-card USA
	1	438 7123-16	Printed circuit board	Circuit imprimé	1,2	7G02, HW, 1 I/O-card USA
	1	438 7123-06	Printed circuit board	Circuit imprimé	1,2	7G01, 1 I/O-card Finnish
	1	438 7123-07	Printed circuit board	Circuit imprimé	1,2	7G01, 1 I/O-card French
	1	438 7123-08	Printed circuit board	Circuit imprimé	1,2	7G01, 1 I/O-card German
	1	438 7123-09	Printed circuit board	Circuit imprimé	1,2	7G01, 1 I/O-card Italian
	1	438 7123-10	Printed circuit board	Circuit imprimé	1,2	7G03, 1 I/O-card Japanese
	1	438 7123-11	Printed circuit board	Circuit imprimé	1,2	7G01, 1 I/O-card Norwegian
	1	438 7123-20	Printed circuit board	Circuit imprimé	1,2	7W01 2 I/O-cards Norwegian
	1	438 7123-12	Printed circuit board	Circuit imprimé	1,2	7G01, 1 I/O-card Polish
	1	438 7123-13	Printed circuit board	Circuit imprimé	1,2	7G01, 1 I/O-card Swedish
	1	438 7123-14	Printed circuit board	Circuit imprimé	1,2	7G01, 1 I/O-card Spanish
	1	438 7123-15	Printed circuit board	Circuit imprimé	1,2	7W01 2 I/O-cards Finnish
	1	438 7123-16	Printed circuit board	Circuit imprimé	1,2	7G02, HW, 1 I/O-card USA
	1	438 7123-17	Printed circuit board	Circuit imprimé	1,2	7G01, HW, 1 I/O-card French
	1	438 7123-18	Printed circuit board	Circuit imprimé	1,2	7G01, 1 I/O-card Czech
	1	438 7123-19	Printed circuit board	Circuit imprimé	1,2	7W01 2 I/O-cards English
5	4	438 0299-01	Spacer	Entretoise	3	
6	1	438 9555-11	Control unit	Organe de direction	1,2	230V
	1	438 9555-12	Control unit	Organe de direction	1,2	120V
7	Rq	471 7958-02	Support	Support	3	
8	1	471 8792-01	Transformer	Transformateur	3	
9	1	471 8750-11	•Fuse	•Porte-fusible	1,2	1,25A
10	1	472 9913-43	Clamp	Bride de fixation	3	Kit 25 pcs
11	1	471 8861-01	Level guard	Limiteur de niveau	1,2	
12	1	432 2161-01	Cover	Couvercle	3	
13	1	471 8995-01	Printed circuit board	Circuit imprimé	1,2	I/O-card Configured
14	1	471 8995-02	Printed circuit board	Circuit imprimé	1,2	I/O-card Configured
15	1	471 8793-01	Card reader	Lecteur de carte	1	
16	1	432 0150-01	Bracket	Pièce de retenue	3	
17	1	432 0149-01	Rubber cap	Capuchon caoutchouc	3	
18	1	432 2162-02	Protective cover	Couvercle de protection	3	
* 19	1	432 3086-92	Cable set	Jeu de câbles	3	A11X5
20	4		Plug	Fiche	3	Ø3,5
21	4		Plug	Bonde	3	Ø6,5
22	1	432 3087-92	Cable set	Jeu de câbles	3	A1X6-A2X6
23	1	432 3085-15	Cable set	Jeu de câbles	3	A11X2-A1X5
24	1	432 3084-40	Cable set	Jeu de câbles	3	A1X1-Temp. sensor
25	1	432 3082-77	Cable set	Jeu de câbles	3	A1X1-Temp. sensor
26	1	432 2981-01	Cable set	Jeu de câbles	3	
27	1	432 3087-75	Cable set	Jeu de câbles	3	A11X3-X172
28	1	432 3082-41	Cable set	Jeu de câbles	3	X91-X178
29	1	432 3082-59	Cable set	Jeu de câbles	3	A11X4-X92
30	1	432 3082-48	Cable set	Jeu de câbles	3	X90-X45
31	1	432 3082-21	Cable set	Jeu de câbles	3	X94-X304
32	1	432 3182-93	Cable set	Jeu de câbles	3	X93
33	1	432 3082-56	Cable set	Jeu de câbles	3	X13-X12
34	1	432 3083-30	Cable set	Jeu de câbles	3	A11X7-X49
35	1	432 3082-15	Cable set	Jeu de câbles	3	A11X8-X47
36	1	432 3087-20	Cable set	Jeu de câbles	3	A11X9-X48
37	1	432 3082-49	Cable set	Jeu de câbles	3	A11X10-X302



Issue	Month	Year
03	05	02

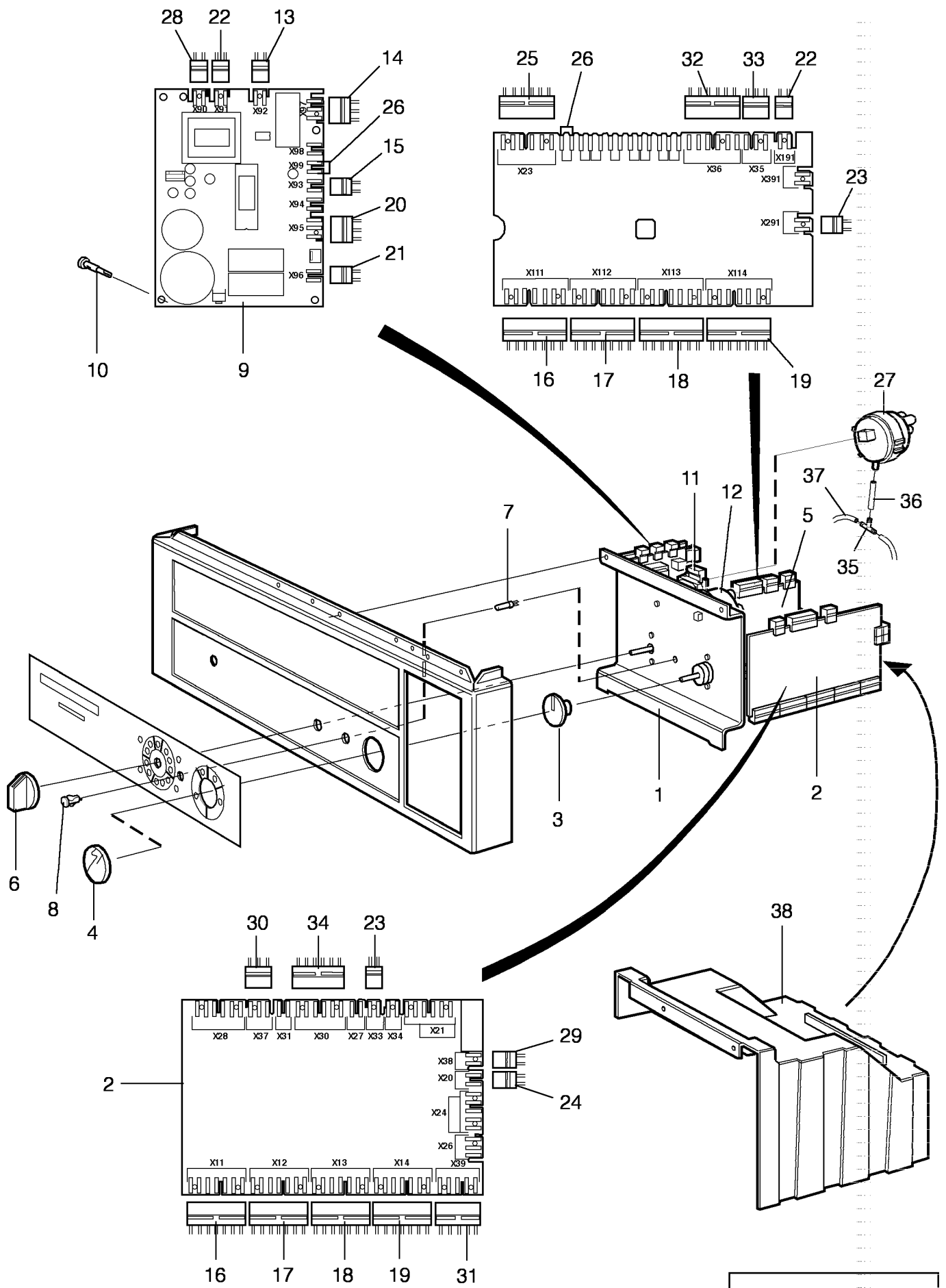
**E630,W630,W630c,W630s**

**Electrical components Clarus**

**Composants électriques Clarus**

Illustration Issue Month Year  
Schéma Issue Month Year  
**101765/3 8 6 2003**

Item Article	Qua. Qua.	Art.No Réf. article	Description	Description	Info Info	Notes Remarques
38	1	432 3082-43	Cable set	Jeu de câbles	3	A11X11-X42
39	1	432 3085-25	Cable set	Jeu de câbles	3	A11X14-X43
40	1	432 3084-16	Cable set	Jeu de câbles	3	A11X15-X41
41	1	432 3082-18	Cable set	Jeu de câbles	3	A11X16:3-X40
42	4	438 0299-01	Spacer	Entretoise	3	
* 43	1	432 3082-90	Cable set	Jeu de câbles	3	X96
44	1	432 3085-04	Cable set	Jeu de câbles	3	A11X1-A12X2
45	1	432 3082-07	Cable set	Jeu de câbles	3	A12X4-X63
46	1	432 3082-33	Cable set	Jeu de câbles	3	A12X6-X69
47	1	432 3083-18	Cable set	Jeu de câbles	3	A12X7-X66
48	1	432 3082-08	Cable set	Jeu de câbles	3	A12X8-X65
49	1	432 3088-18	Cable set	Jeu de câbles	3	A12X9-X62
50	1	432 3182-02	Cable set	Jeu de câbles	3	A11X11-A12X10
51	1	432 3085-12	Cable set	Jeu de câbles	3	A12X14-X61
52	1	432 3084-13	Cable set	Jeu de câbles	3	A12X15-X60



Issue	Month	Year
02	08	01

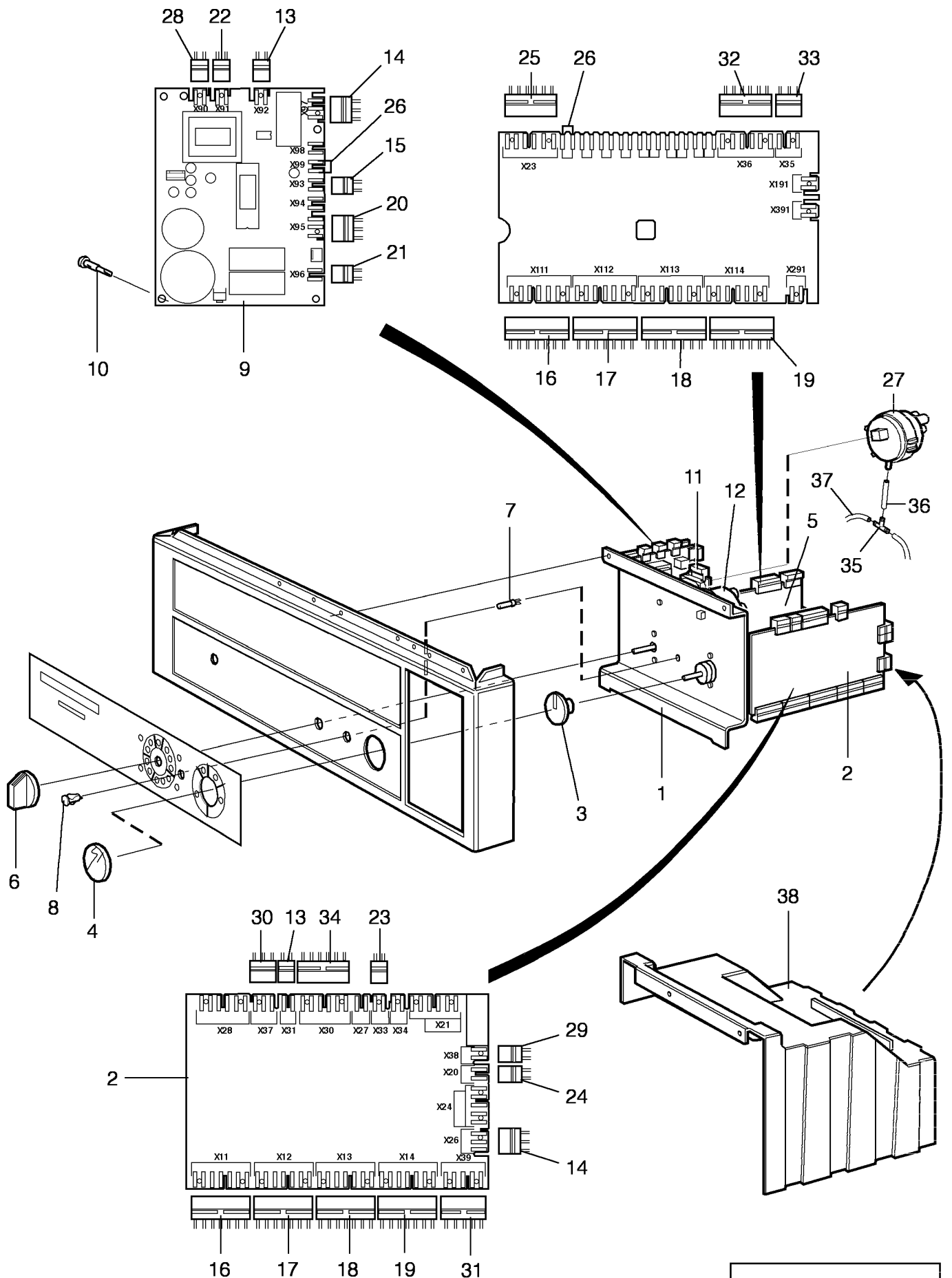
**E630,W630,W630c,W630s**

**Electric components Classic OG01**

**Composants électriques Classic OG01**

Illustration Issue Month Year  
Schéma Issue Month Year  
**101926/2 4 6 2003**

Item Article	Qua. Qua.	Art.No Réf. article	Description	Description	Info Info	Notes Remarques
1	1	432 2168-01	Mounting plate	Plaque de montage	3	
2	1	438 8981-03	Timer	Minuterie	1,2	230V 50Hz Complete
	1	438 8981-02	Timer	Minuterie	1,2	240V 60Hz Complete
	1	438 8981-01	Timer	Minuterie	1,2	110V 60Hz Complete
3	1	472 6082-02	Pointer	Indicateur	1,2	
4	1	438 0040-01	Safety glass	Verre de sécurité	3	
5	1	438 9643-01	Rotary switch	Commutateur rotatif	1,2	OG01 Complete
6	1	438 0076-02	Knob	Bouton	1,2	
7	1	471 9652-02	Pilot lamp	Lampe témoin	1,2	230V
8	1	438 9650-01	Lens	Lentille	3	
9	1	438 9555-11	Control unit	Organe de direction	1,2	230V
	1	438 9555-12	Control unit	Organe de direction	1,2	120V
10	4	471 7958-02	Support	Support	3	
11	1	438 8803-01	Thermostat	Thermostat	1,2	
12	1	471 8859-13	Level guard	Limiteur de niveau	1,2	
13	1	432 3082-58	Cable set	Jeu de câbles	3	X31-X92
14	1	432 3083-13	Cable set	Jeu de câbles	3	X26-X97
15	1	432 3182-94	Cable set	Jeu de câbles	3	X93
16	1	432 3087-06	Cable set	Jeu de câbles	3	X11-X111
17	1	432 3087-07	Cable set	Jeu de câbles	3	X12-X112
18	1	432 3087-08	Cable set	Jeu de câbles	3	X13-X113
19	1	432 3087-09	Cable set	Jeu de câbles	3	X14-X114
20	1	432 3083-35	Cable set	Jeu de câbles	3	X95-X195
21	1	432 3082-99	Cable set	Jeu de câbles	3	X96
22	1	432 3082-52	Cable set	Jeu de câbles	3	X91-X191
23	1	432 3082-53	Cable set	Jeu de câbles	3	X291-X33
24	1	432 3082-65	Cable set	Jeu de câbles	3	X20
25	1	432 3086-14	Cable set	Jeu de câbles	3	X23-X123
26	1	472 9913-43	Clamp	Bride de fixation	3	Kit 25 pcs
27	1	471 8861-01	Level guard	Limiteur de niveau	1,2	
28	1	432 3082-35	Cable set	Jeu de câbles	3	X90-X45/X378
29	1	432 3082-45	Cable set	Jeu de câbles	3	X38-X42
30	1	432 3083-14	Cable set	Jeu de câbles	3	X37-X49
31	1	432 3085-30	Cable set	Jeu de câbles	3	X39-X43
32	1	432 3086-16	Cable set	Jeu de câbles	3	X36-X48
33	1	432 3083-81	Cable set	Jeu de câbles	3	X35-X47
34	1	432 3086-89	Cable set	Jeu de câbles	3	X30
35	1	471 2265-69	T-pipe	Tube en T	3	
36	1	471 2440-36	Hose	Flexible	1	L=90
37	1	471 2464-18	Hose	Flexible	1	L=280
38	1	432 2171-01	Protective cover	Couvercle de protection	3	



Issue	Month	Year
02	08	01

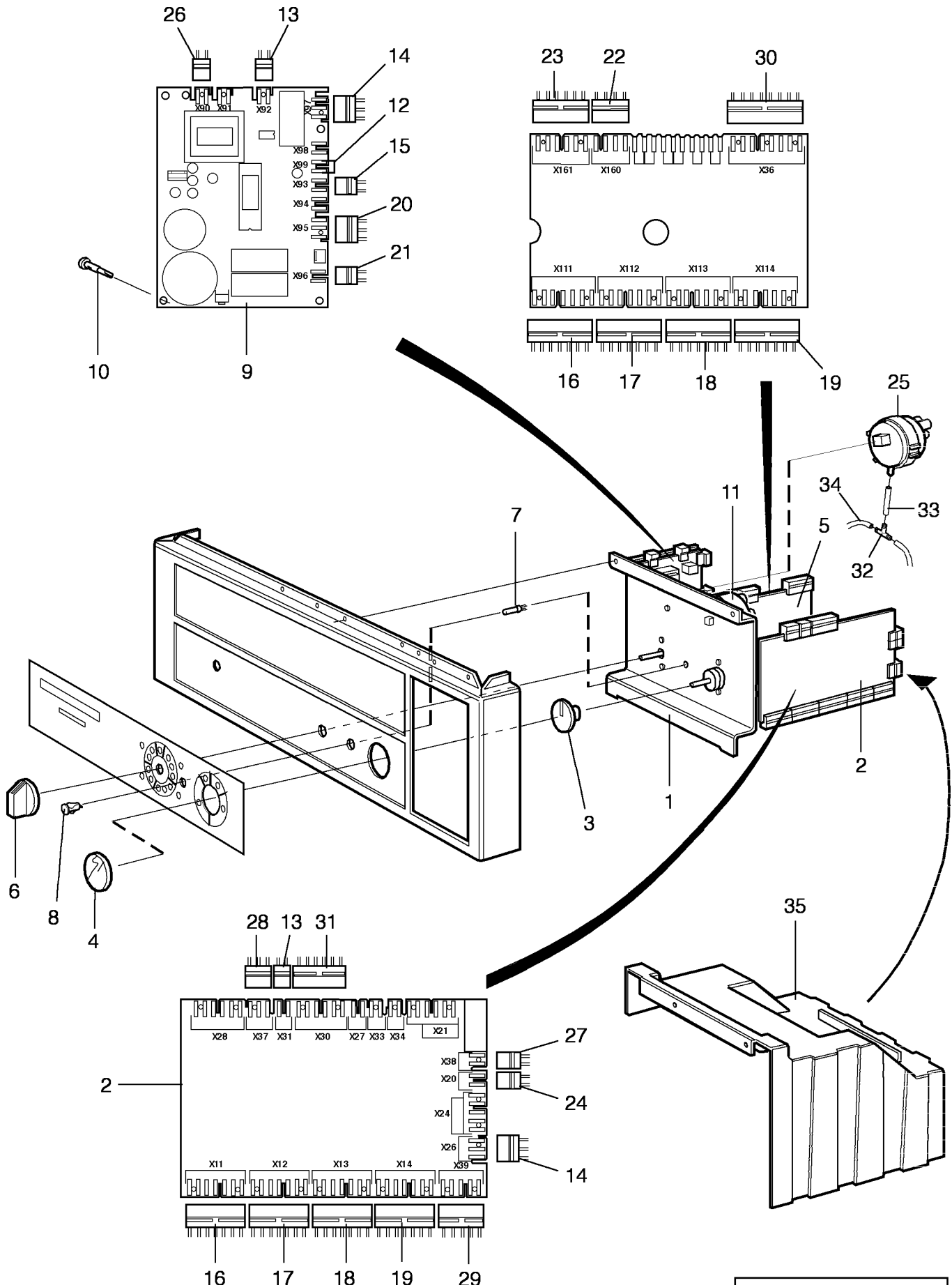
**E630,W630,W630c,W630s**

**Electric components Classic OL02**

**Composants électriques Classic OL02**

Illustration Issue Month Year  
Schéma Issue Month Year  
**101937/2 4 6 2003**

Item Article	Qua. Qua.	Art.No Réf. article	Description	Description	Info Info	Notes Remarques
1	1	432 2168-01	Mounting plate	Plaque de montage	3	
2	1	438 8981-03	Timer	Minuterie	1,2	230V 50Hz Complete
	1	438 8981-02	Timer	Minuterie	1,2	240V 60Hz Complete
	1	438 8981-01	Timer	Minuterie	1,2	110V 60Hz Complete
3	1	472 6082-02	Pointer	Indicateur	1,2	
4	1	438 0040-01	Safety glass	Verre de sécurité	3	
5	1	438 9644-01	Rotary switch	Commutateur rotatif	1,2	OL02 Complete
6	1	438 0076-02	Knob	Bouton	1,2	
7	1	471 9652-02	Pilot lamp	Lampe témoin	1,2	230V
8	1	438 9650-01	Lens	Lentille	3	
9	1	438 9555-11	Control unit	Organe de direction	1,2	230V
	1	438 9555-12	Control unit	Organe de direction	1,2	120V
10	4	471 7958-02	Support	Support	3	
11	1	438 8803-01	Thermostat	Thermostat	1,2	
12	1	471 8859-13	Level guard	Limiteur de niveau	1,2	
13	1	432 3082-58	Cable set	Jeu de câbles	3	X31-X92
14	1	432 3083-13	Cable set	Jeu de câbles	3	X26-X97
15	1	432 3182-94	Cable set	Jeu de câbles	3	X93
16	1	432 3087-06	Cable set	Jeu de câbles	3	X11-X111
17	1	432 3087-07	Cable set	Jeu de câbles	3	X12-X112
18	1	432 3087-08	Cable set	Jeu de câbles	3	X13-X113
19	1	432 3087-09	Cable set	Jeu de câbles	3	X14-X114
20	1	432 3083-35	Cable set	Jeu de câbles	3	X95-X195
21	1	432 3082-99	Cable set	Jeu de câbles	3	X96
22	1	432 3082-52	Cable set	Jeu de câbles	3	X91-X191
23	1	432 3082-53	Cable set	Jeu de câbles	3	X291-X33
24	1	432 3082-65	Cable set	Jeu de câbles	3	X20
25	1	432 3086-14	Cable set	Jeu de câbles	3	X23-X123
26	Rq	472 9913-43	Clamp	Bride de fixation	3	Kit 25 pcs
27	1	471 8861-01	Level guard	Limiteur de niveau	1,2	
28	1	432 3082-35	Cable set	Jeu de câbles	3	X90-X45/X378
29	1	432 3082-45	Cable set	Jeu de câbles	3	X38-X42
30	1	432 3083-14	Cable set	Jeu de câbles	3	X37-X49
31	1	432 3085-30	Cable set	Jeu de câbles	3	X39-X43
32	1	432 3086-16	Cable set	Jeu de câbles	3	X36-X48
33	1	432 3083-81	Cable set	Jeu de câbles	3	X35-X47
34	1	432 3086-89	Cable set	Jeu de câbles	3	X30
35	1	471 2265-69	T-pipe	Tube en T	2	
36	1	471 2440-36	Hose	Flexible	1	L=90
37	1	471 2464-18	Hose	Flexible	1	L=280
38	1	432 2171-01	Protective cover	Couvercle de protection	3	



Issue	Month	Year
02	08	01



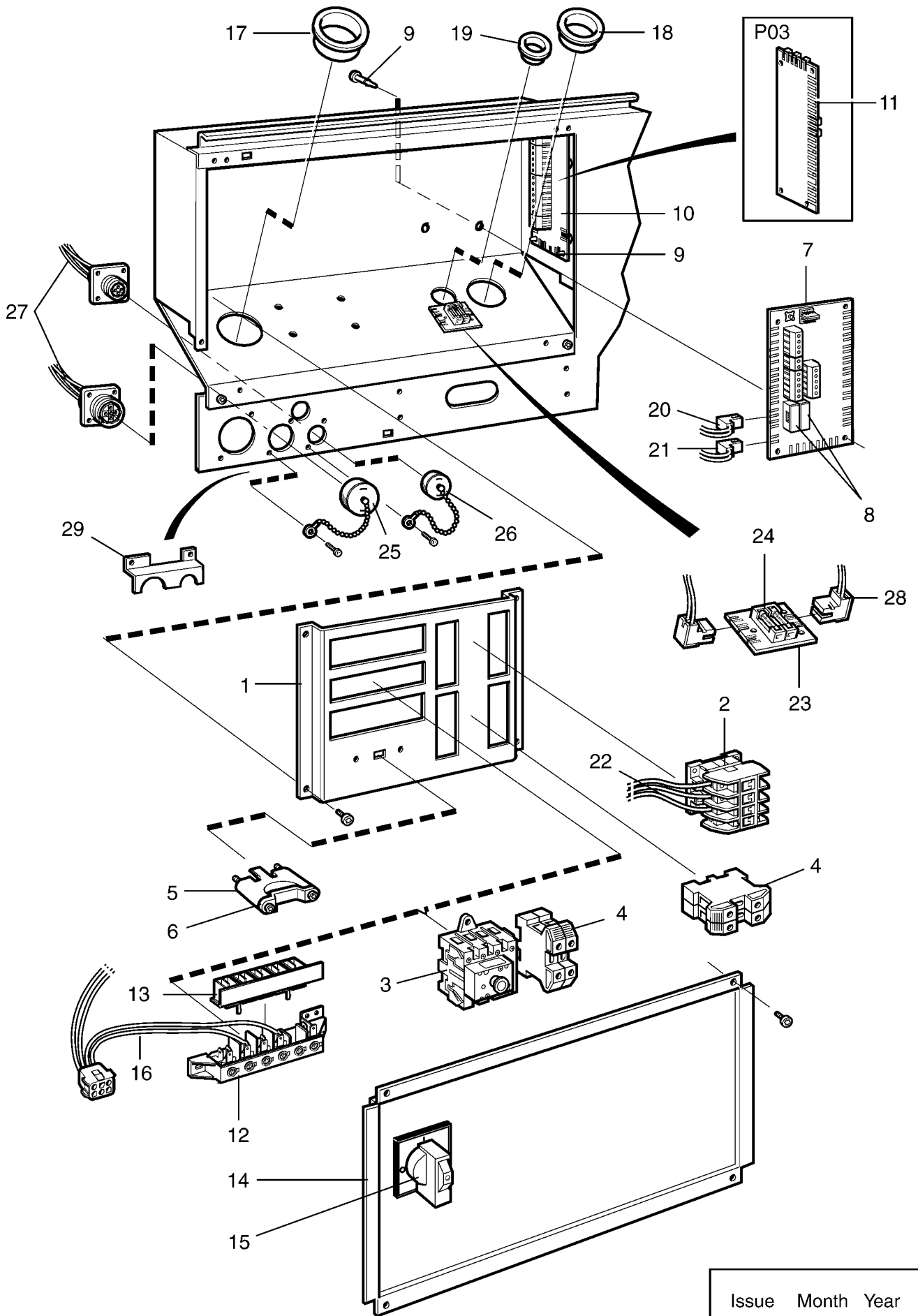
**E630,W630,W630c,W630s**

**Electric components Classic OL03**

**Composants électriques Classic OL03**

Illustration Issue Month Year  
Schéma Issue Month Year  
**101938/2 4 7 2003**

Item Article	Qua. Qua.	Art.No Réf. article	Description	Description	Info Info	Notes Remarques
1	1	432 2168-01	Mounting plate	Plaque de montage	3	
2	1	438 8981-03	Timer	Minuterie	1,2	230V 50Hz Complete
	1	438 8981-02	Timer	Minuterie	1,2	240V 60Hz Complete
	1	438 8981-01	Timer	Minuterie	1,2	110V 60Hz Complete
3	1	472 6082-02	Pointer	Indicateur	1,2	
4	1	438 0040-01	Safety glass	Verre de sécurité	3	
5	1	438 9645-01	Rotary switch	Commutateur rotatif	1,2	OL03 Complete
6	1	438 0076-02	Knob	Bouton	1,2	
7	1	471 9652-02	Pilot lamp	Lampe témoin	1,2	230V
	1	471 9652-01	Pilot lamp	Lampe témoin	1,2	110V
8	1	438 9650-01	Lens	Lentille	3	
9	1	438 9555-11	Control unit	Organe de direction	1,2	230V
	1	438 9555-12	Control unit	Organe de direction	1,2	120V
10	4	471 7958-02	Support	Support	3	
11	1	471 8859-10	Level guard	Limiteur de niveau	1,2	
12	Rq	472 9913-43	Clamp	Bride de fixation	3	Kit 25 pcs
13	1	432 3082-58	Cable set	Jeu de câbles	3	X31-X92
14	1	432 3083-13	Cable set	Jeu de câbles	3	X26-X97
15	1	432 3182-94	Cable set	Jeu de câbles	3	X93
16	1	432 3087-06	Cable set	Jeu de câbles	3	X11-X111
17	1	432 3087-07	Cable set	Jeu de câbles	3	X12-X112
18	1	432 3087-08	Cable set	Jeu de câbles	3	X13-X113
19	1	432 3087-09	Cable set	Jeu de câbles	3	X14-X114
20	1	432 3083-35	Cable set	Jeu de câbles	3	X95-X195
21	1	432 3082-99	Cable set	Jeu de câbles	3	X96
22	1	432 3084-28	Cable set	Jeu de câbles	3	X160-X260
23	1	432 3086-12	Cable set	Jeu de câbles	3	X161-X261
24	1	432 3082-65	Cable set	Jeu de câbles	3	X20
25	1	471 8861-01	Level guard	Limiteur de niveau	1,2	
26	1	432 3082-35	Cable set	Jeu de câbles	3	X90-X45
27	1	432 3082-45	Cable set	Jeu de câbles	3	X38-X42
28	1	432 3083-14	Cable set	Jeu de câbles	3	X37-X49
29	1	432 3085-30	Cable set	Jeu de câbles	3	X39-X43
30	1	432 3088-14	Cable set	Jeu de câbles	3	X36-X48
31	1	432 3086-89	Cable set	Jeu de câbles	3	X30
32	1	471 2265-69	T-pipe	Tube en T	3	
33	1	471 2440-36	Hose	Flexible	1	L=90
34	1	471 2464-18	Hose	Flexible	1	L=280
35	1	432 2171-01	Protective cover	Couvercle de protection	3	

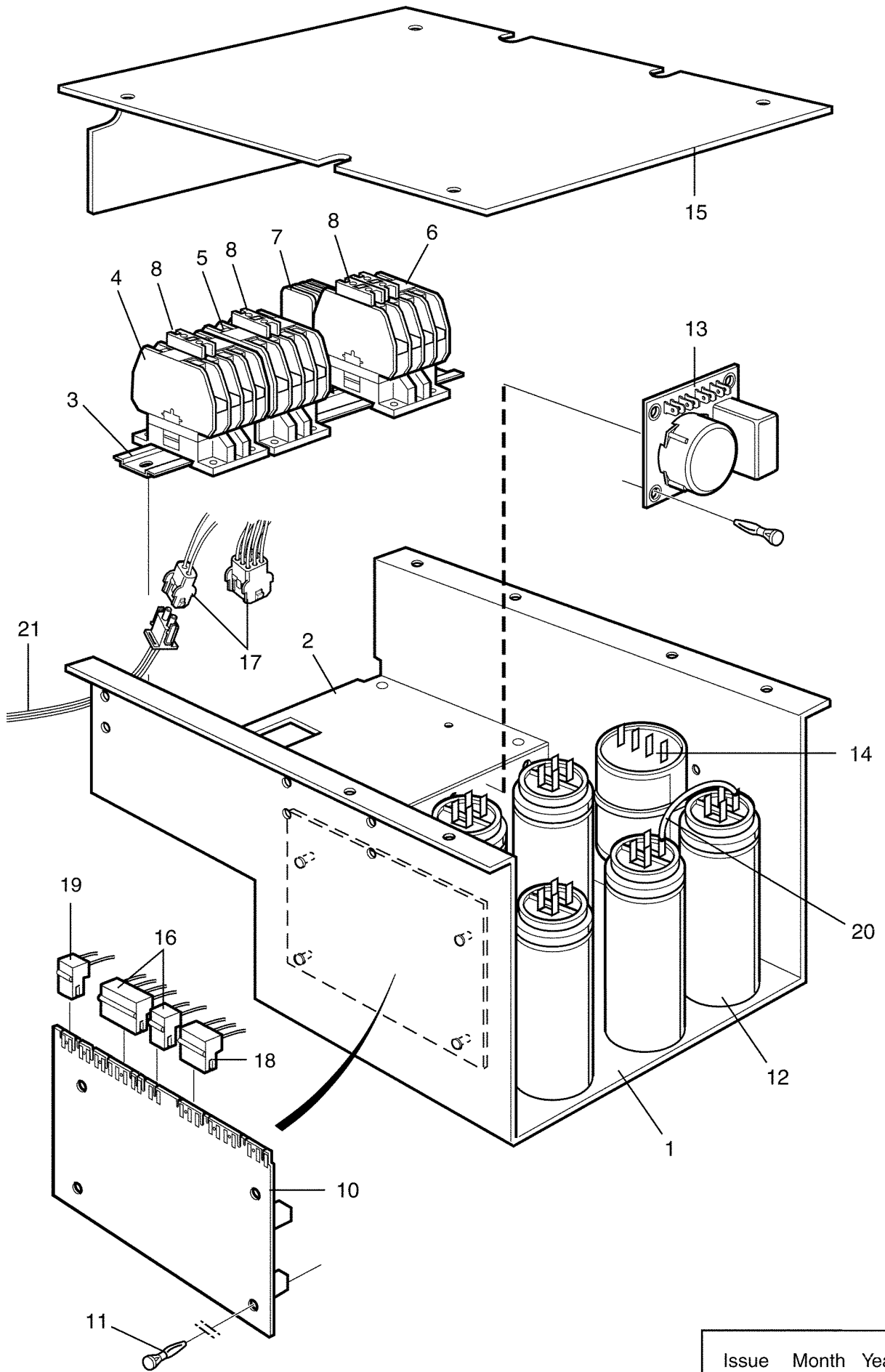


Issue	Month	Year
03	02	04

**E630,W630,W630c,W630s****Electric components connection****Composants électriques raccordement électrique**

Illustration	Issue	Month	Year
Schéma	Issue	Month	Year
<b>101947/2</b>	<b>5</b>	<b>2</b>	<b>2004</b>

Item Article	Qua. Qua.	Art.No Réf. article	Description	Description	Info Info	Notes Remarques
1	1	432 2154-01	Mounting plate	Plaque de montage	3	
2	1	471 9635-11	Contacteur	Relais	1,2	50Hz
	1	471 9635-10	Contacteur	Relais	1,2	60Hz
3	1	438 9678-01	Main switch	Main switch	3	3-pole, 30A
	1	438 9678-11	Main switch	Main switch	3	4-pole, 30A
	1	438 9678-12	Main switch	Main switch	3	4-pole, 40A
4	2	471 8767-01	Block	Bloc de connexion	3	
5	1	471 7859-12	Clamp	Attache	3	Lower part
6	1	471 7859-16	Clamp	Attache	3	Upper part
7	1	438 8785-02	Printed circuit board	Circuit imprimé	1,2	Exacta
	1	438 8786-02	Printed circuit board	Circuit imprimé	1,2	Clarus
	1	438 8788-01	Printed circuit board	Circuit imprimé	1,2	Classic OG01, OL02, OL03
8	2	471 8750-11	•Fuse	•Porte-fusible	1,2	1,25A
9	Rq	471 7958-02	Support	Support	3	
10	1	438 8787-01	Printed circuit board	Circuit imprimé	1,2	Clarus
11	1	438 8789-01	Printed circuit board	Circuit imprimé	1,2	Classic OL03
12	1	471 8759-01	Block	Cale	3	
13	1	471 8759-51	Cover	Couvercle	3	
14	1	432 2156-01	Cover	Couvercle	3	With hole
	1	432 2156-02	Cover	Couvercle	3	Without hole
15	1	471 9678-94	Knob	Bouton	1	
16	1	432 2986-01	Cable set	Jeu de câbles	3	
17	1	762 1215-10	Grommet	Oeillet	3	Ø48/35mm
18	1	762 1215-10	Grommet	Oeillet	3	Ø48/35mm
19	1	762 1182-10	Grommet	Oeillet	3	Ø22,2MM
20	1	432 3082-86	Cable set	Jeu de câbles	3	X44-L1, N/L2
21	1	432 3182-52	Cable set	Jeu de câbles	3	X46
22	3	432 2954-01	Cable set	Jeu de câbles	3	400V 3AC
	3	432 2954-02	Cable set	Jeu de câbles	3	230V 3AC
	4	432 2954-02	Cable set	Jeu de câbles	3	230V 1AC
23	1	438 8797-01	Printed circuit board	Circuit imprimé	1,2	
24	2	471 8750-11	•Fuse	•Porte-fusible	1,2	1,25A
25	1	438 7950-02	Cover washer	Rondelle protection	3	14-pole
26	1	438 7950-01	Cover washer	Rondelle protection	3	4-pole
27	1	432 2945-01	Cables	Câble	3	
28	1	432 3082-25	Cable set	Jeu de câbles	3	X44-X144
29	1	432 1220-01	Cover	Couvercle	3	



Issue	Month	Year
02	05	03

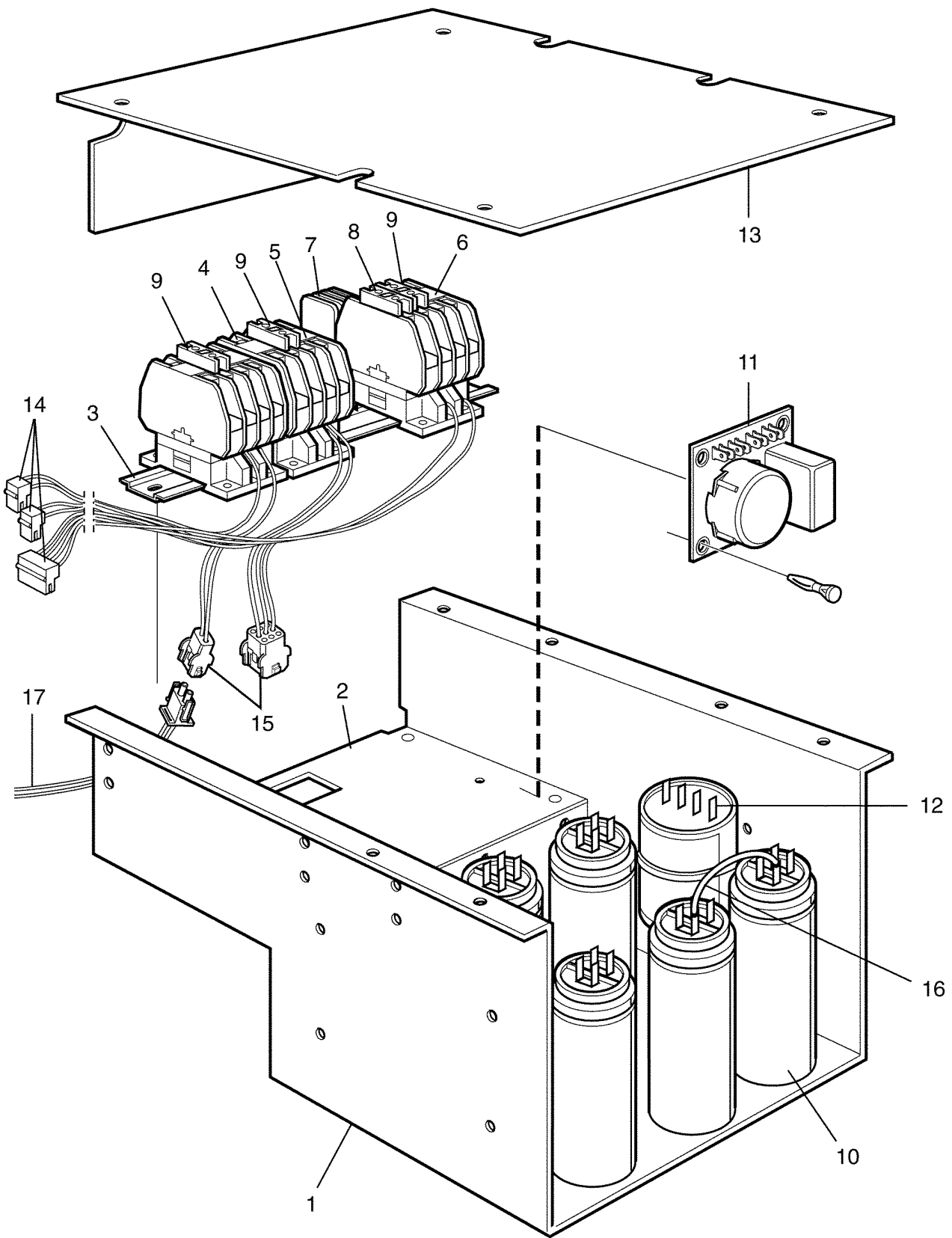
**E630,W630,W630c,W630s**

**Electric components 1AC**

**Composants électriques 1AC**

Illustration Issue Month Year  
Schéma Issue Month Year  
**101941/2 3 7 2003**

Item Article	Qua. Qua.	Art.No Réf. article	Description	Description	Info Info	Notes Remarques
1	1	432 2169-01	Component plate	Plaque composants	3	
2	1	432 2196-01	Mounting plate	Plaque d'assemblage	3	
3	1	471 7182-26	Rail	Support	3	
4	1	438 9636-03	Contacteur	Relais	1,2	60Hz
5	1	438 9636-03	Contacteur	Relais	1,2	60Hz
6	1	438 9636-03	Contacteur	Relais	1,2	60Hz
7	1	471 9604-01	Mains current breaker	Disjoncteur	1	9,75±0,25A
8	1	767 5102-92	Auxiliary contact	Contact de secours	1	HN01 Red
9	-					Not used
10	1	471 8992-13	Printed circuit board	Circuit imprimé	1,2	RDC
11	4	471 7958-02	Support	Support	3	
12	-		Capacitor	Condensateur		See illustr. 101943
13	1	471 9501-02	LC-filter	Filtre LC	1	
14	1	471 9566-05	Sinpac	Sinpac	1,2	208-240V SINPAC
15	1	432 2172-01	Cover	Couvercle	3	
16	1	432 2971-03	Cable set	Jeu de câbles	3	RDC
17	1	432 2964-02	Cable set	Jeu de câbles	3	With filter
	1	432 2964-03	Cable set	Jeu de câbles	3	Without filter
	1	432 2964-02	Cable set	Jeu de câbles	3	With filter With Sinpac
	1	432 2964-03	Cable set	Jeu de câbles	3	Without filter With Sinpac
18	1	432 3182-30	Cable set	Jeu de câbles	3	
19	1	432 3082-37	Cable set	Jeu de câbles	3	X97-X295
20	1	432 2966-01	Cable set	Jeu de câbles	3	
21	1	432 2960-04	Cable set	Jeu de câbles	3	1AC X1-X311, Terminal block
	1	432 2960-01	Cable set	Jeu de câbles	3	X1-X311, Main switch



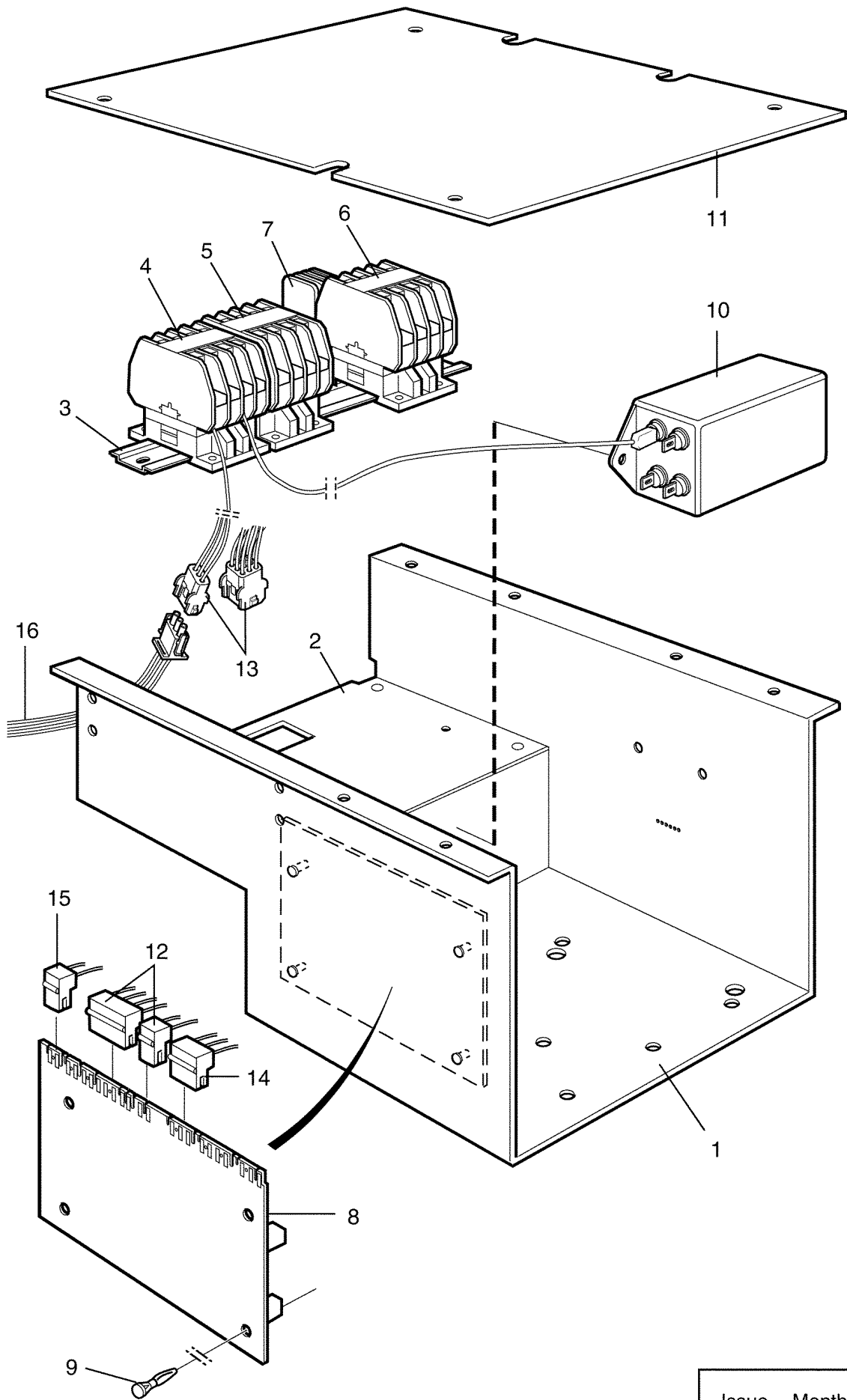
**E630,W630,W630c,W630s**

**Electric components Classic 1AC**

**Composants électriques Classic 1AC**

Illustration Issue Month Year  
Schéma Issue Month Year  
**101940/2 3 5 2003**

Item Article	Qua. Qua.	Art.No Réf. article	Description	Description	Info Info	Notes Remarques
<b>1</b>	1	<b>432 2169-01</b>	Component plate	Plaque composants	3	
<b>2</b>	1	<b>432 2196-01</b>	Mounting plate	Plaque d'assemblage	3	
<b>3</b>	1	<b>471 7182-26</b>	Rail	Support	3	
<b>4</b>	1	<b>438 9636-03</b>	Contacteur	Relais	1,2	60Hz
<b>5</b>	1	<b>438 9636-03</b>	Contacteur	Relais	1,2	60Hz
<b>6</b>	1	<b>438 9636-03</b>	Contacteur	Relais	1,2	60Hz
<b>7</b>	-					Not used
<b>8</b>	2	<b>767 5102-92</b>	Auxiliary contact	Contact de secours	1	HN01 Red
<b>9</b>	4	<b>767 5101-92</b>	Auxiliary contact	Contact de secours	1	HN10 Green
<b>10</b>	-		Capacitor	Condensateur	1	See illustr. 101943
<b>11</b>	1	<b>471 9501-02</b>	LC-filter	Filtre LC	1	
<b>12</b>	1	<b>471 9566-05</b>	Sinpac	Sinpac	1,2	208-240V SINPAC
<b>13</b>	1	<b>432 2172-01</b>	Cover	Couvercle	3	
<b>14</b>	1	<b>432 2972-01</b>	Cable set	Jeu de câbles	3	
<b>15</b>	1	<b>432 2962-02</b>	Cable set	Jeu de câbles	3	With filter Without Sinpac
	1	<b>432 2962-03</b>	Cable set	Jeu de câbles	3	Without filter Without Sinpac
	1	<b>432 2964-02</b>	Cable set	Jeu de câbles	3	With filter With Sinpac
	1	<b>432 2964-03</b>	Cable set	Jeu de câbles	3	Without filter With Sinpac
<b>16</b>	Rq	<b>432 2966-01</b>	Cable set	Jeu de câbles	3	
<b>17</b>	1	<b>432 2960-04</b>	Cable set	Jeu de câbles	3	1AC X1-X311, Terminal block
	1	<b>432 2960-01</b>	Cable set	Jeu de câbles	3	X1-X311, Main switch



Issue	Month	Year
03	05	03



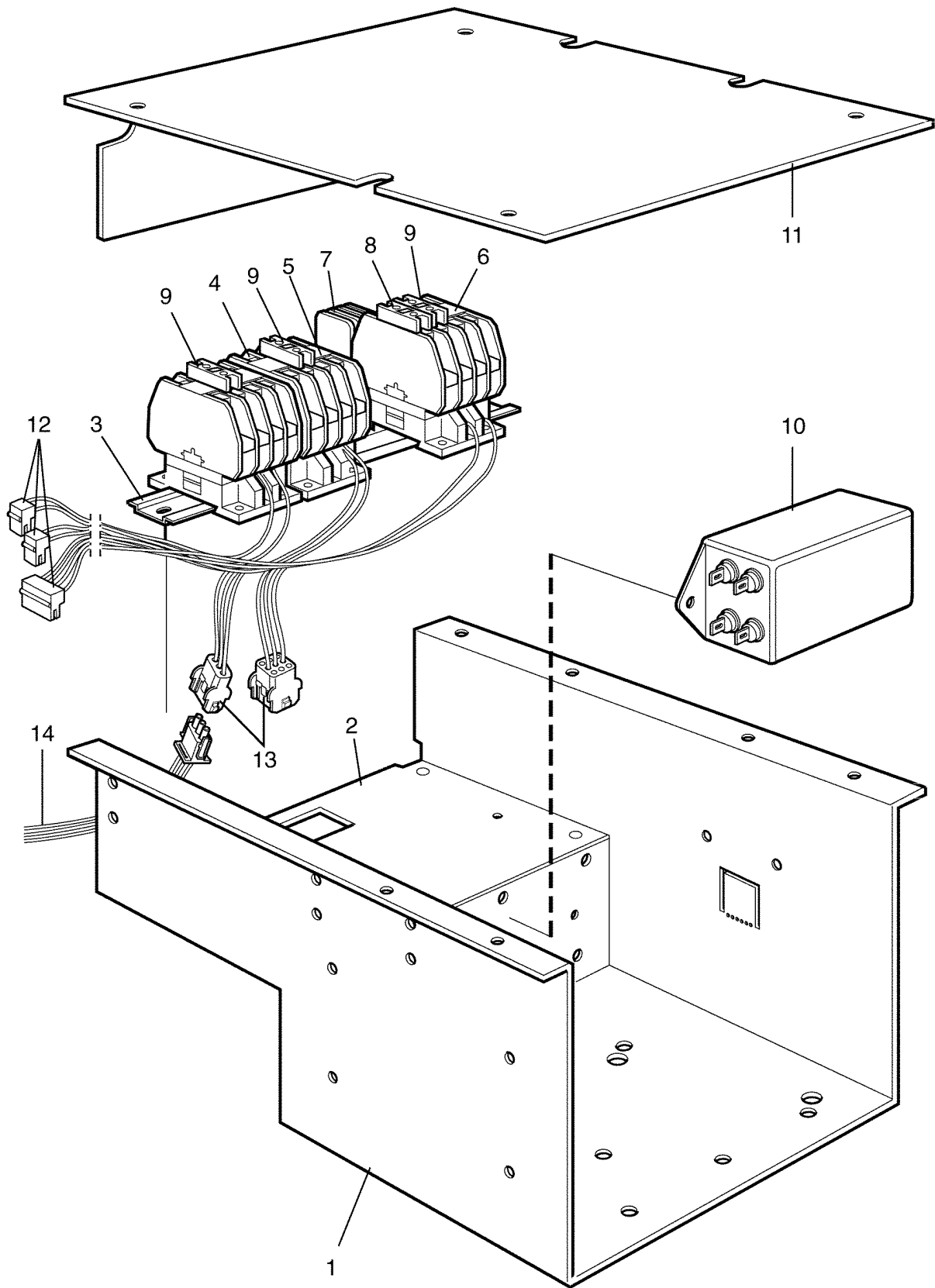
**E630,W630,W630c,W630s**

**Electric components Classic 3AC**

**Composants électriques Classic 3AC**

Illustration Issue Month Year  
Schéma Issue Month Year  
**101939/3 3 7 2003**

Item Article	Qua. Qua.	Art.No Réf. article	Description	Description	Info Info	Notes Remarques
1	1	432 2169-01	Component plate	Plaque composants	3	
2	1	432 2196-01	Mounting plate	Plaque d'assemblage	3	
3	1	471 7182-26	Rail	Support	3	
4	1	438 9636-02	Contacteur	Relais	1,2	50Hz
	1	438 9636-03	Contacteur	Relais	1,2	60Hz
5	1	438 9636-02	Contacteur	Relais	1,2	50Hz
	1	438 9636-03	Contacteur	Relais	1,2	60Hz
6	1	438 9636-02	Contacteur	Relais	1,2	50Hz
	1	438 9636-03	Contacteur	Relais	1,2	60Hz
7	-					NOT USED
8	1	471 8992-13	Printed circuit board	Circuit imprimé	1,2	RDC
9	4	471 7958-02	Support	Support	3	
10	1	471 9529-05	LC-filter	Filtre LC	1	
11	1	432 2172-01	Cover	Couvercle	3	
12	1	432 2971-01	Cable set	Jeu de câbles	3	RDC
13	1	432 2963-02	Cable set	Jeu de câbles	3	With filter
	1	432 2963-03	Cable set	Jeu de câbles	3	Without filter
14	1	432 3182-30	Cable set	Jeu de câbles	3	X97-X295
15	1	432 3082-37	Cable set	Jeu de câbles	3	X278-X45
16	1	432 2961-02	Cable set	Jeu de câbles	3	3AC X1-X311, Terminal block
	1	432 2961-01	Cable set	Jeu de câbles	3	3AC X1-X311, Main switch



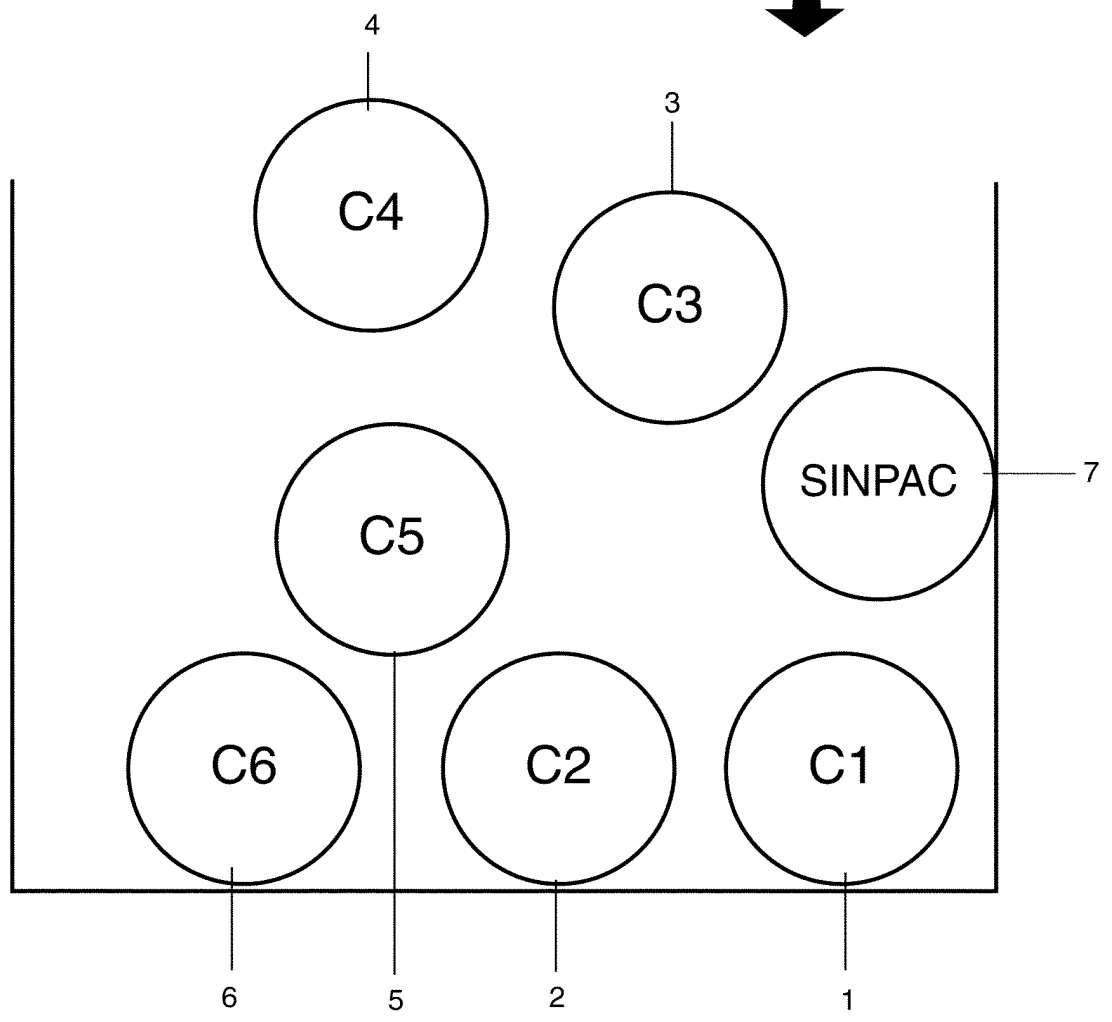
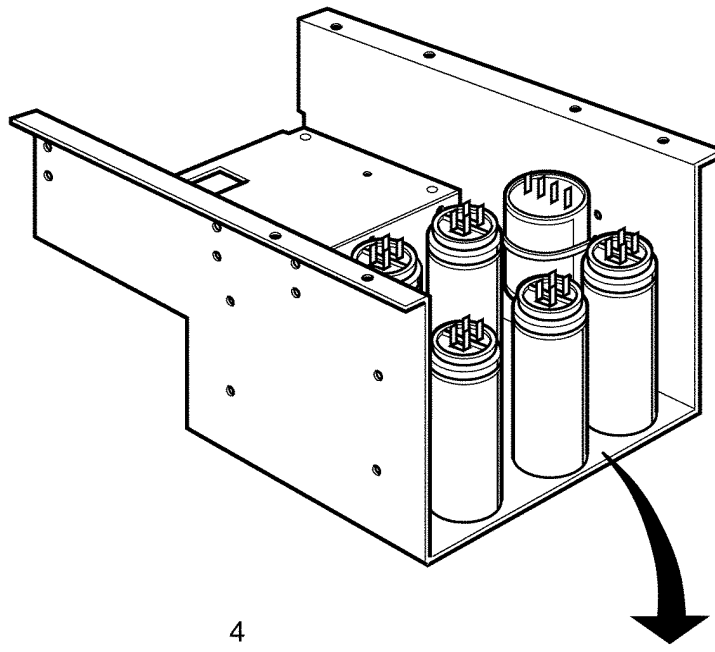
**E630,W630,W630c,W630s**

**Electric components Classic 3AC**

**Composants électriques Classic 3AC**

Illustration Issue Month Year  
Schéma Issue Month Year  
**101942/2 3 7 2003**

Item Article	Qua. Qua.	Art.No Réf. article	Description	Description	Info Info	Notes Remarques
<b>1</b>	1	<b>432 2169-01</b>	Component plate	Plaque composants	3	
<b>2</b>	1	<b>432 2196-01</b>	Mounting plate	Plaque d'assemblage	3	
<b>3</b>	1	<b>471 7182-26</b>	Rail	Support	3	
<b>4</b>	1	<b>438 9636-02</b>	Contacteur	Relais	1,2	50Hz
	1	<b>438 9636-03</b>	Contacteur	Relais	1,2	60Hz
<b>5</b>	1	<b>438 9636-02</b>	Contacteur	Relais	1,2	50Hz
	1	<b>438 9636-03</b>	Contacteur	Relais	1,2	60Hz
<b>6</b>	1	<b>438 9636-02</b>	Contacteur	Relais	1,2	50Hz
	1	<b>438 9636-03</b>	Contacteur	Relais	1,2	60Hz
<b>7</b>	-					NOT USED
<b>8</b>	1	<b>767 5102-92</b>	Auxiliary contact	Contact de secours	1	HN01 Red
<b>9</b>	4	<b>767 5101-92</b>	Auxiliary contact	Contact de secours	1	HN10 Green
<b>10</b>	1	<b>471 9529-05</b>	LC-filter	Filtre LC	1	
<b>11</b>	1	<b>432 2172-01</b>	Cover	Couvercle	3	
<b>12</b>	1	<b>432 2972-01</b>	Cable set	Jeu de câbles	3	
<b>13</b>	1	<b>432 2963-02</b>	Cable set	Jeu de câbles	3	With filter
	1	<b>432 2963-03</b>	Cable set	Jeu de câbles	3	Without filter



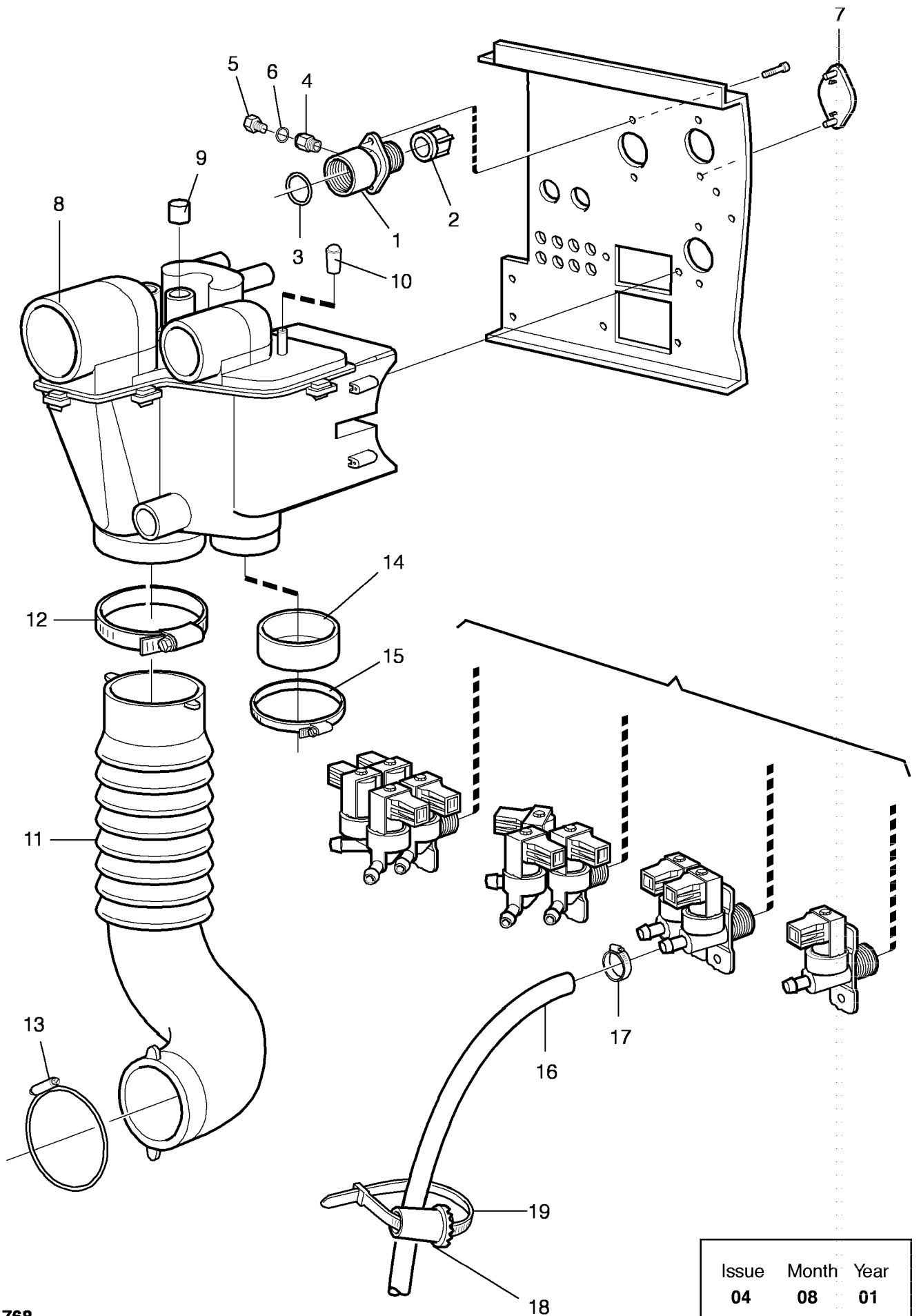
**E630,W630,W630c,W630s**

**Capacitor**

**Condensateur**

Illustration Issue Month Year  
Schéma Issue Month Year  
**101943/1 3 3 2004**

Item Article	Qua. Qua.	Art.No Réf. article	Description	Description	Info Info	Notes Remarques
<b>1</b>	1	<b>471 9525-31</b>	Capacitor	Condensateur	1	35MF
* <b>2</b>	-					Not used
* <b>3</b>	1	<b>471 9525-25</b>	Capacitor	Condensateur	1	130MF
<b>4</b>	-					Not used
* <b>5</b>	1	<b>471 9525-27</b>	Capacitor	Condensateur	1	30MF
* <b>6</b>	1	<b>471 9525-24</b>	Capacitor	Condensateur	1	40MF
<b>6</b>	-					NOT USED
* <b>7</b>	1	<b>471 9566-05</b>	Sinpac	Sinpac	1	208-240V



101768

Issue	Month	Year
04	08	01

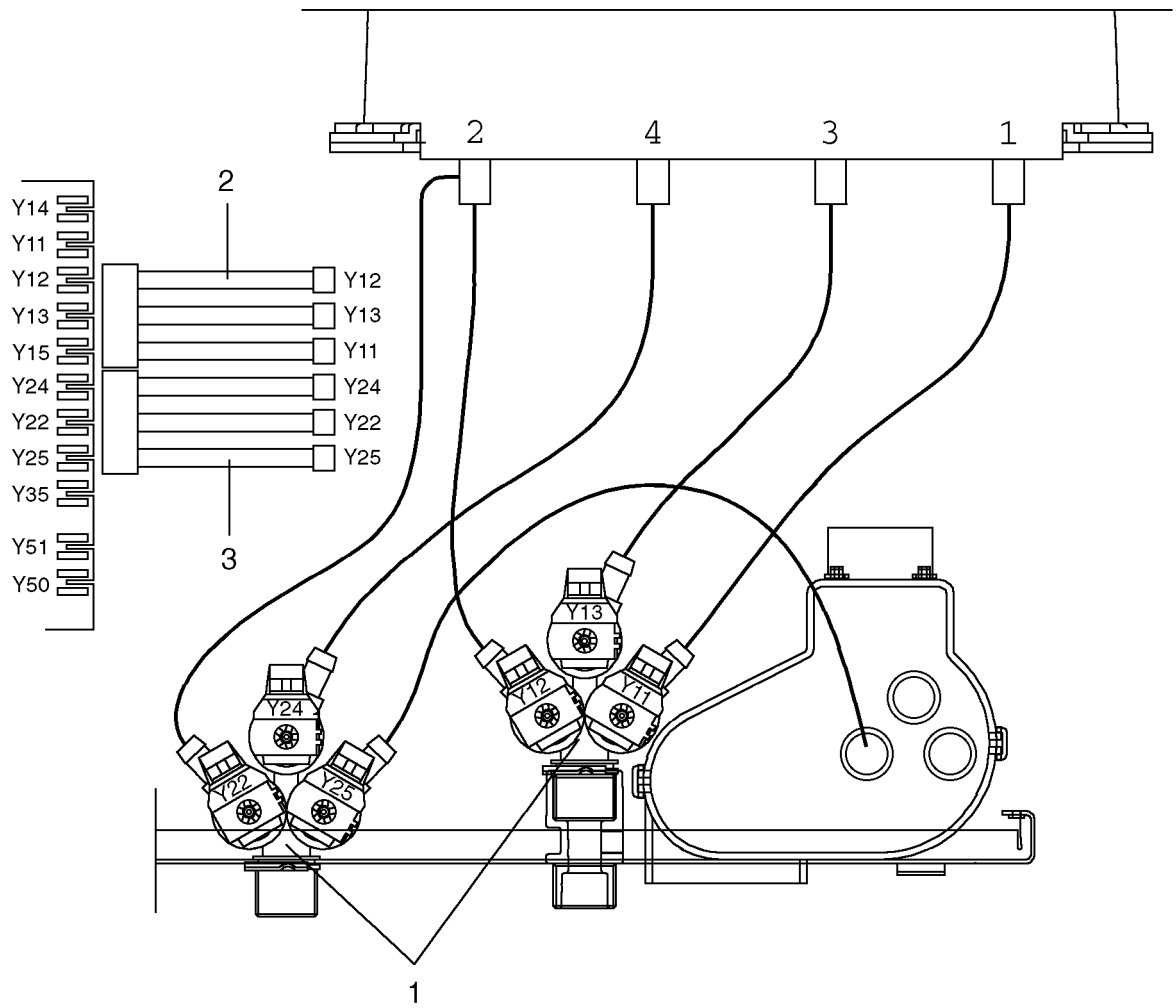
**E630,W630,W630c,W630s**

**Water connections**

**Raccords d'eau**

Illustration Issue Month Year  
Schéma Issue Month Year  
**101768/4 5 7 2003**

Item Article	Qua. Qua.	Art.No Réf. article	Description	Description	Info Info	Notes Remarques
1	1	438 0056-03	Nipple	Raccord	3	Black, 3/4"
	1	438 0056-04	Nipple	Raccord	3	White, 3/4", USA
2	1	471 8693-21	Filter	Filtre	3	
3	1	471 8199-01	Gasket	Joint	3	
4	1	471 8688-13	Nipple	Raccord	3	1/8"
5	1	741 5109-25	Plug	Fiche	3	El-drain
6	1	740 4206-00	O-ring	Joint torique	3	El-drain
7	Rq	472 6761-01	Cover washer	Rondelle protection	3	
8	1	432 2301-01	Siphon breaker	Rupteur de siphon	3	
9	Rq	471 8175-01	Plug	Fiche	3	
10	1	471 8644-02	Plug	Fiche	3	
11	1	432 2305-01	Hose	Flexible	1	
12	1	736 2846-51	Hose clamp	Attache flexible	3	Ø73-83
13	1	471 7871-08	Hose clamp	Attache flexible	3	
14	-					Not used
15	-					Not used
16	Rq	877 5211-08	Hose	Flexible	1	Per 1 m
17	Rq	736 2816-51	Hose clamp	Attache flexible	3	Ø13-19
18	1	471 4792-01	Tool	Outil	1	
19	1	762 9102-05	Cable tie	Collier de serrage	3	





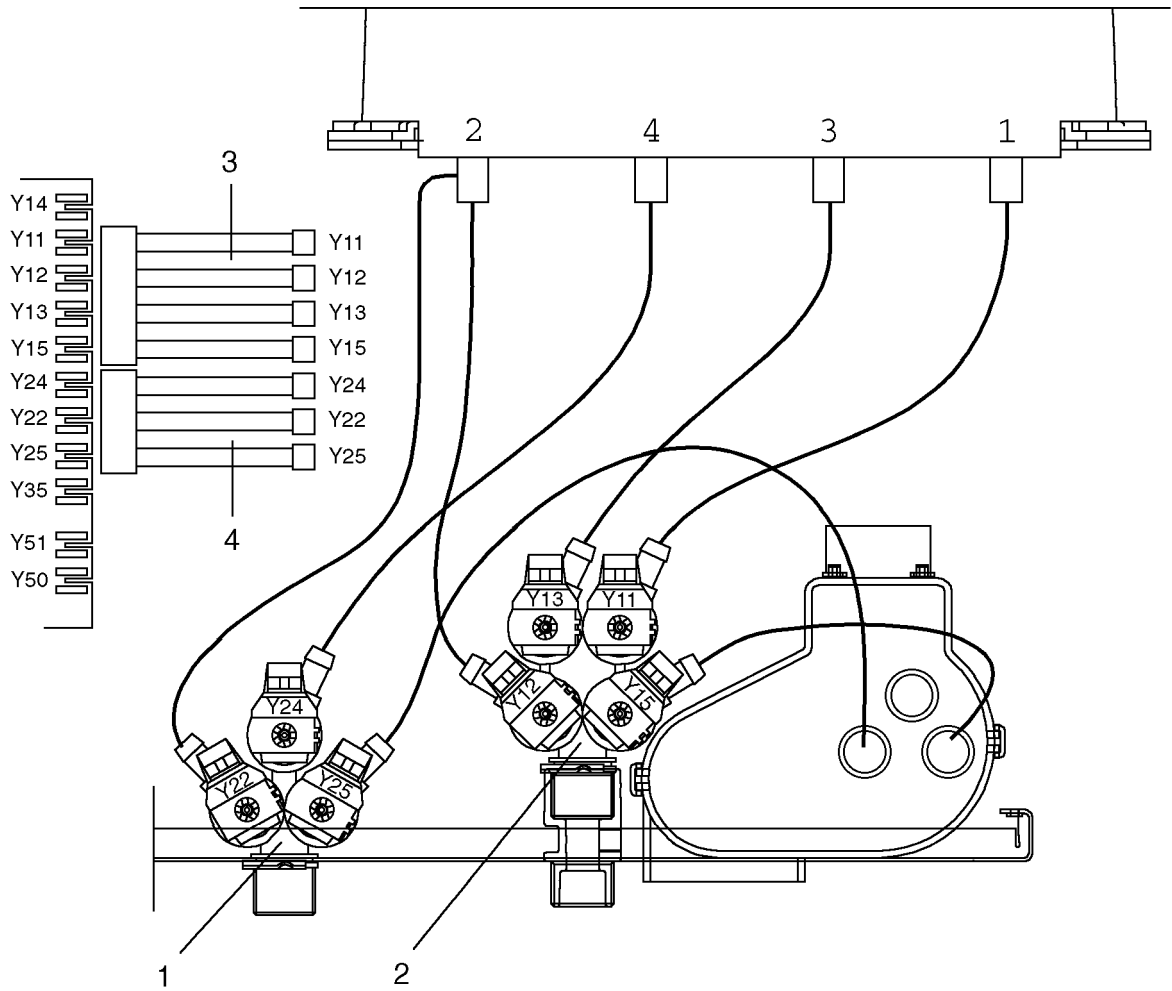
**E630,W630,W630c,W630s**

**Inlet valves and cable set**

**Inlet valves and cable set**

Illustration Issue Month Year  
Schéma Issue Month Year  
**101779/2 4 7 2003**

Item Article	Qua. Qua.	Art.No Réf. article	Description	Description	Info Info	Notes Remarques
<b>1</b>	2	<b>471 8236-76</b>	Valve	Soupape	1,2	3-way
	2	<b>471 8236-78</b>	Valve	Soupape	1,2	3-way US
	2	<b>471 6860-18</b>	•Coil	•Bobine	1,2	Green
	2	<b>471 6860-19</b>	•Coil	•Bobine	1,2	Orange
	2	<b>471 6860-20</b>	•Coil	•Bobine	3	White
<b>2</b>	1	<b>432 3086-81</b>	Cable set	Jeu de câbles	3	X53:F-
<b>3</b>	1	<b>432 3086-60</b>	Cable set	Jeu de câbles	3	X53:H-



Issue	Month	Year
02	02	01

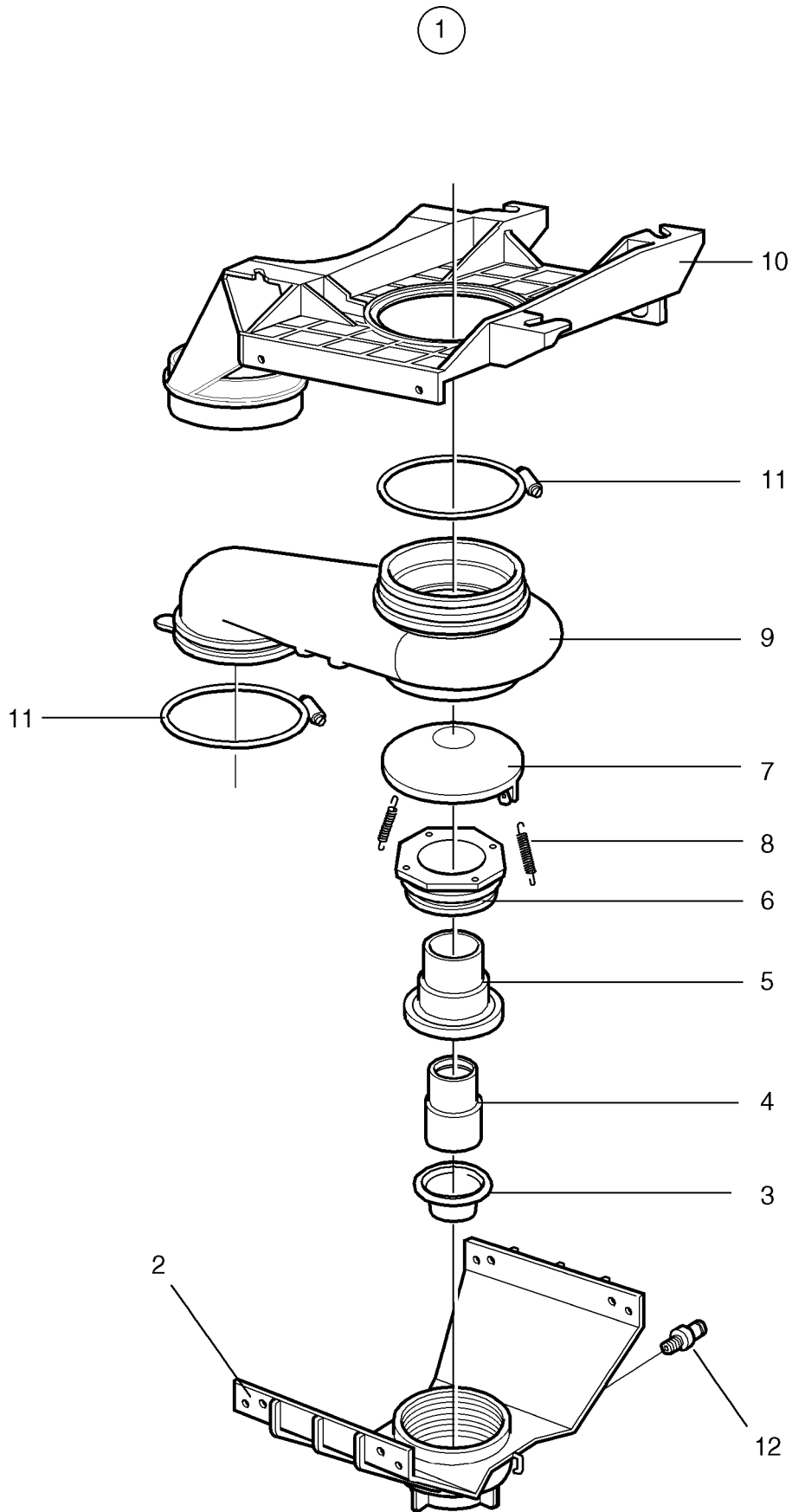
**E630,W630,W630c,W630s**

**Inlet valves and cable set**

Illustration Issue Month Year  
Schéma Issue Month Year  
**101780/2 4 7 2003**

**Inlet valves and cable set**

Item Article	Qua. Qua.	Art.No Réf. article	Description	Description	Info Info	Notes Remarques
<b>1</b>	1	<b>471 8236-76</b>	Valve	Soupape	1,2	3-way
	1	<b>471 8236-78</b>	Valve	Soupape	1,2	3-way US
	1	<b>471 6860-18</b>	•Coil	•Bobine	1,2	Green
	1	<b>471 6860-19</b>	•Coil	•Bobine	1,2	Orange
	1	<b>471 6860-20</b>	•Coil	•Bobine	1,2	White
<b>2</b>	1	<b>471 8240-64</b>	Valve	Soupape	1,2	4-way
	1	<b>471 8240-68</b>	Valve	Soupape	1,2	4-way US
	1	<b>471 6860-18</b>	•Coil	•Bobine	1,2	Green
	1	<b>471 6860-19</b>	•Coil	•Bobine	1,2	Orange
	1	<b>471 6860-20</b>	•Coil	•Bobine	1,2	White
<b>3</b>	1	<b>471 8240-91</b>	•Coil	•Bobine	1,2	Grey
	1	<b>432 3088-81</b>	Cable set	Jeu de câbles	3	X53:F-
<b>4</b>	1	<b>432 3086-60</b>	Cable set	Jeu de câbles	3	X53:H-



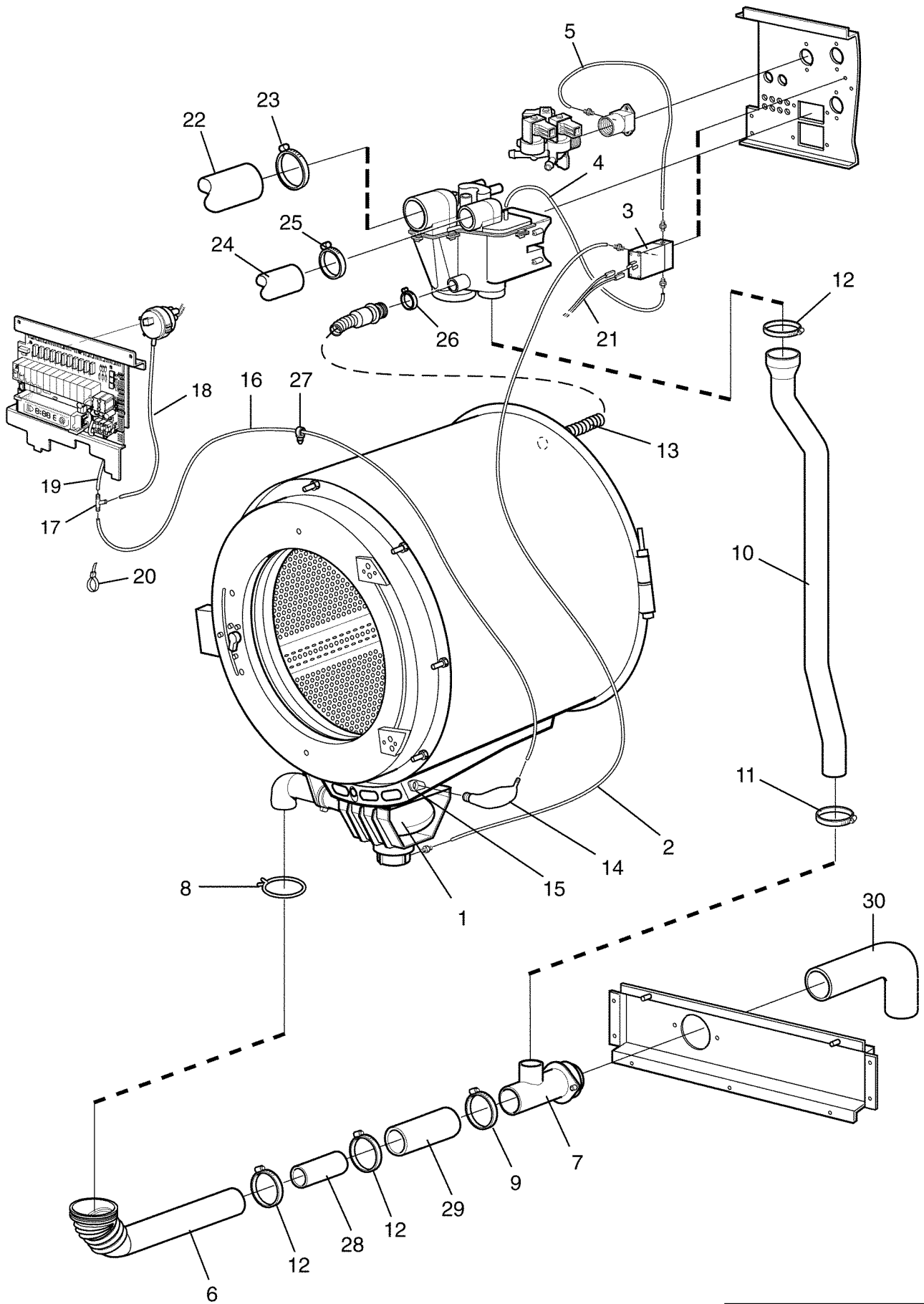
**E630,W630,W630c,W630s**

**Drain valve**

**Purgeur**

Illustration Issue Month Year  
Schéma Issue Month Year  
**101772/2 1 1 2000**

Item Article	Qua. Qua.	Art.No Réf. article	Description	Description	Info Info	Notes Remarques
<b>1</b>	1	<b>432 2502-01</b>	Drain valve	Purgeur	1,2	
<b>2</b>	1	<b>438 0051-01</b>	•Lower frame	•Châssis inférieur	3	
<b>3</b>	1	<b>471 8195-01</b>	•Diaphragm	•Diaphragme	1,2	
<b>4</b>	1	<b>438 0054-01</b>	•Piston	•Piston	3	
<b>5</b>	1	<b>438 0053-01</b>	•Housing	•Logement	3	
<b>6</b>	1	<b>438 0055-01</b>	•Gland	•Presse-étoupe	3	
<b>7</b>	1	<b>438 0052-01</b>	•Cover	•Couvercle	3	
<b>8</b>	2	<b>471 7801-07</b>	•Spring	•Ressort	1	
<b>9</b>	1	<b>432 2505-01</b>	•Hose housing	•Logement de flexible	1,2	
<b>10</b>	1	<b>432 2501-01</b>	•Upper frame	•Partie supérieure	3	
<b>11</b>	2	<b>471 7871-04</b>	•Hose clamp	•Attache flexible	3	
<b>12</b>	1	<b>471 8688-13</b>	•Nipple	•Raccord	1	1/8"



Issue	Month	Year
03	12	02

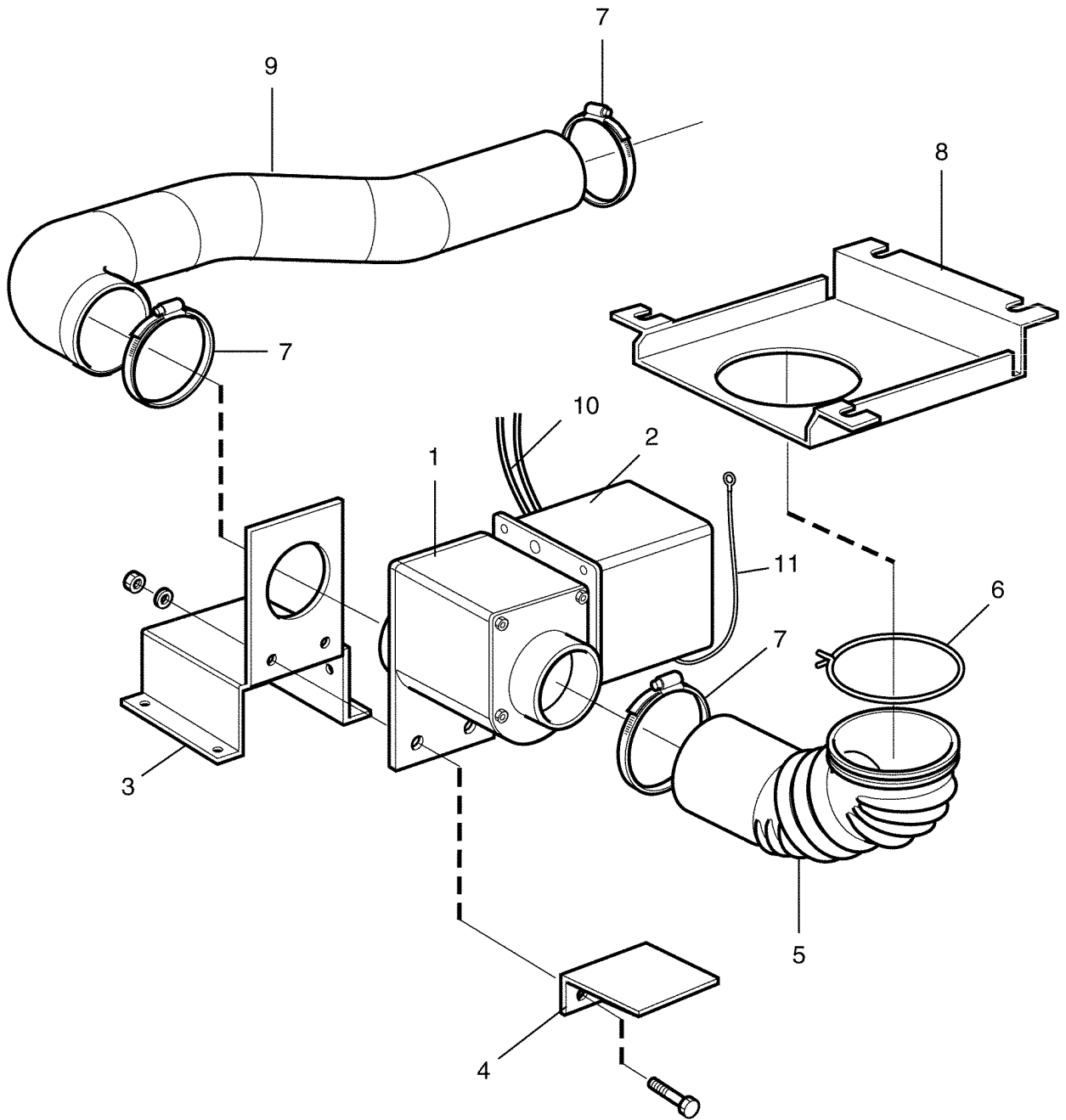
**E630,W630,W630c,W630s**

**Drain valve and hoses**

**Purgeur et flexible**

Illustration Issue Month Year  
Schéma Issue Month Year  
**101930/2 5 2 2004**

Item Article	Qua. Qua.	Art.No Réf. article	Description	Description	Info Info	Notes Remarques
1	1	432 2502-01	Drain valve	Purgeur	1,2	
2	1	471 8139-11	Hose	Flexible	1,2	L=1900
3	1	471 8243-04	Solenoid valve	Electrovanne	1,2	230V 50Hz -595/7939
	1	471 8243-05	Solenoid valve	Electrovanne	1,2	208-240V 60Hz -595/7939
	1	471 8243-06	Solenoid valve	Electrovanne	1,2	120V 60Hz -595/7939
	1	471 8243-07	Solenoid valve	Électrovanne	1,2	230V 50Hz 595/7940-
	1	471 8243-08	Solenoid valve	Électrovanne	1,2	208-240V 60Hz 595/7940-
	1	471 8243-09	Solenoid valve	Électrovanne	1,2	120V 60Hz 595/7940-
4	1	471 8139-01	Hose	Flexible	1,2	L=330 -595/7939
	1	438 8102-06	Hose	Flexible	1,2	L=330 595/7940-
5	1	471 8139-01	Hose	Flexible	1,2	L=330
6	1	432 2515-01	Hose	Flexible	1	-595/14090
	1	432 2519-04	Hose	Flexible	1	595/14091-
7	1	432 2510-01	Drain pipe connection	Raccord de vidange	3	-595/14090
	1	432 2511-01	Drain pipe connection	Raccord de vidange	3	595/14091-
8	1	471 7871-07	Hose clamp	Attache flexible	3	-595/14090
	1	736 2846-51	Hose clamp	Attache flexible	3	Ø73-83 595/14091-
9	1	736 2837-51	Hose clamp	Attache flexible	3	Ø48-54 -595/14090
	1	736 2846-51	Hose clamp	Attache flexible	3	Ø73-83 595/14091-
10	1	432 2521-05	Hose	Flexible	1	
11	1	736 2831-51	Hose clamp	Attache flexible	3	Ø36-42 -595/14090
12	3	736 2837-51	Hose clamp	Attache flexible	3	Ø48-54 -595/14090
13	1	432 2508-01	Hose	Flexible	1	
14	1	432 2507-01	Air tube	Tube coudé	1	
15	1	432 2506-01	Connection	Connexion	3	
16	1	471 2433-14	Hose	Flexible	1,2	L=940
17	1	471 2265-69	T-pipe	Tube en T	3	
18	1	471 2442-42	Hose	Flexible	1	L=120 Clarus
	1	471 2449-95	Hose	Flexible	1	L=100 Exacta
19	1	471 2464-18	Hose	Flexible	1	L=280 Clarus
	1	471 8118-02	Hose	Flexible	1	L=60 Exacta
20	1	471 7873-02	Cable tie	Collier de serrage	3	
21	1	432 3182-41	Cable set	Jeu de câbles	3	X50
22	1	471 8128-64	Hose	Flexible	1	
23	1	736 2840-51	Hose clamp	Attache flexible	3	Ø50-63
24	1	471 8124-03	Hose	Flexible	1	
25	2	736 2831-51	Hose clamp	Attache flexible	3	Ø36-42
26	1	736 2825-51	Hose clamp	Attache flexible	3	Ø32
27						Not used
28	1	471 8613-05	Tube	Tube	3	Ø50, L=80
29	1	471 8128-41	Hose	Flexible	1	L=90, 1 1/2"
30	1	471 4835-01	Drain hose	Flexible de vidange	1	Ø75





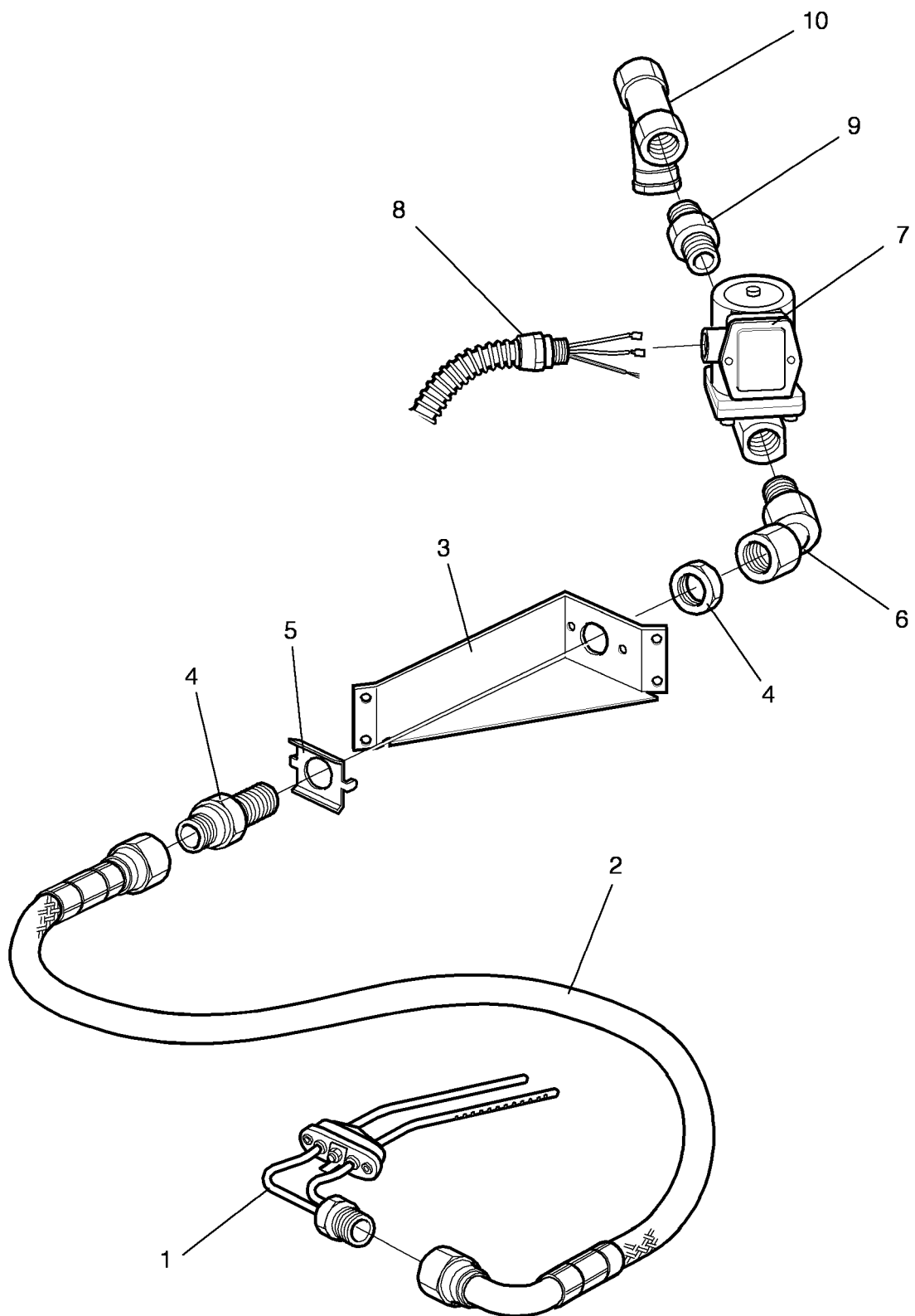
**E630,W630,W630c,W630s**

**Drain valve, electrical**

Illustration Issue Month Year  
Schéma Issue Month Year  
**101921/2 6 2 2004**

**Drain valve, electrical**

Item Article	Qua. Qua.	Art.No Réf. article	Description	Description	Info Info	Notes Remarques
<b>1</b>	1	<b>471 9219-65</b>	Drain valve	Purgeur	1,2	50/60Hz
	1	<b>471 8215-01</b>	Drain valve	Purgeur	1,2	50/60Hz
<b>2</b>	1	<b>432 2548-01</b>	Cover	Couvercle	3	
<b>3</b>	1	<b>432 2530-01</b>	Mounting plate	Plaque de montage	3	
	1	<b>432 2531-02</b>	Mounting plate	Plaque de montage	3	
<b>4</b>	1	<b>432 2536-01</b>	Support	Support	3	
	1	<b>432 2537-01</b>	Support	Support	3	
<b>5</b>	1	<b>432 2515-02</b>	Hose	Flexible	1	
	1	<b>432 2516-04</b>	Hose	Flexible	1	
<b>6</b>	1	<b>471 7871-07</b>	Hose clamp	Attache flexible	3	
<b>7</b>	3	<b>736 2837-51</b>	Hose clamp	Attache flexible	3	Ø48-54
	3	<b>736 2846-51</b>	Hose clamp	Attache flexible	3	Ø73-83
<b>8</b>	1	<b>432 2534-01</b>	Mounting plate	Plaque de montage	3	
<b>9</b>	1	<b>432 2517-02</b>	Hose	Flexible	1	
	1	<b>432 2518-02</b>	Hose	Flexible		
<b>10</b>	1	<b>432 2903-01</b>	Cable set	Jeu de câbles	3	
<b>11</b>	1	<b>432 2982-10</b>	Ground cable	Câble mise terre	3	



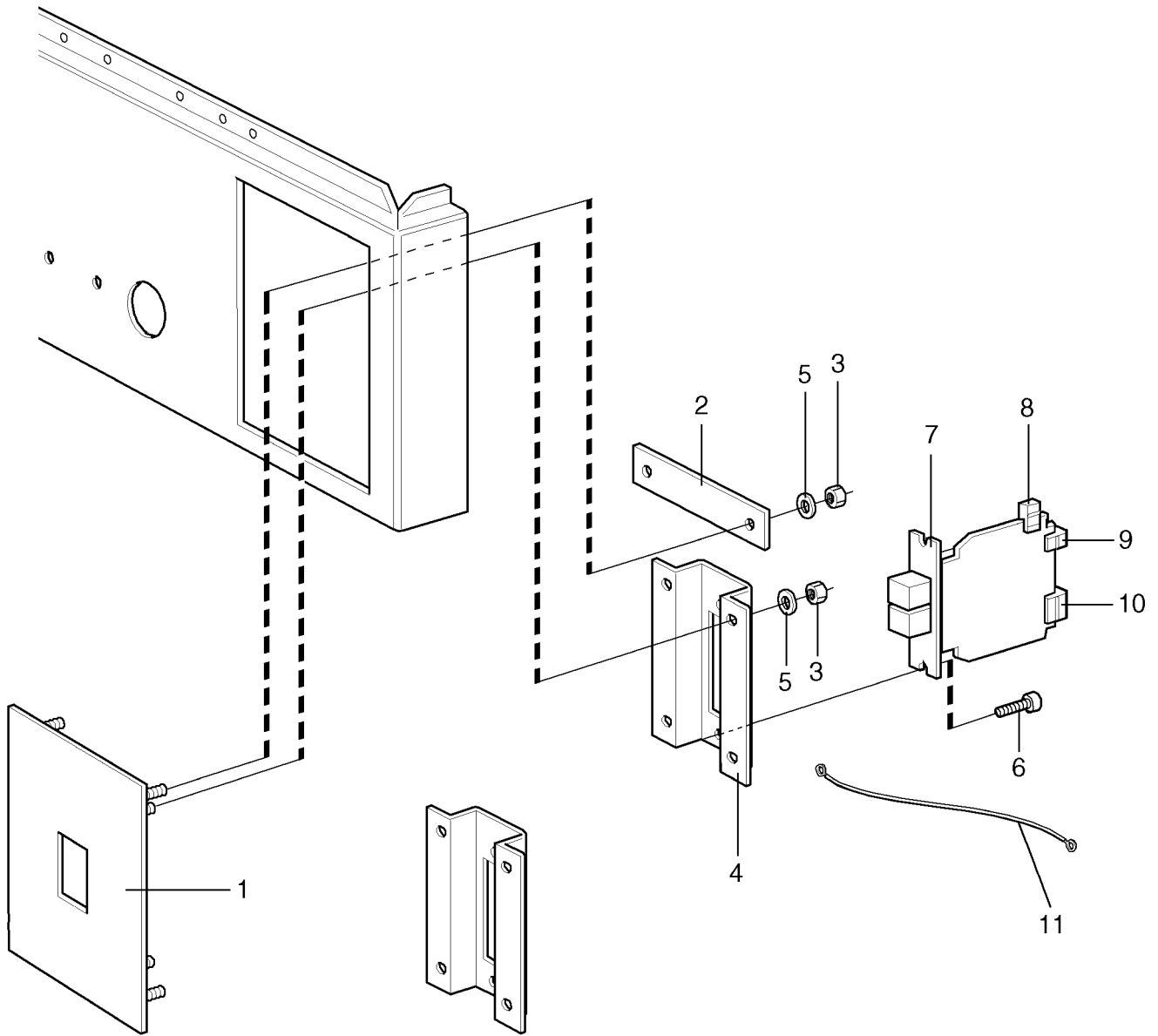
**E630,W630,W630c,W630s**

**Steam components**

Illustration Issue Month Year  
Schéma Issue Month Year  
**101918/1 3 7 2003**

**Composants**

Item Article	Qua. Qua.	Art.No Réf. article	Description	Description	Info Info	Notes Remarques
<b>1</b>	1	<b>432 1631-01</b>	Steam injector	Injecteur de vapeur	3	
<b>2</b>	1	<b>471 8126-27</b>	Steam hose	Tuyau flexible de vapeur	1	
<b>3</b>	1	<b>432 1673-01</b>	Bracket	Pupitre	3	
<b>4</b>	1	<b>471 8695-01</b>	Nipple	Raccord	3	
<b>5</b>	1	<b>471 2937-01</b>	Bracket	Support	3	
<b>6</b>	1	<b>471 8697-01</b>	Adapter	Adaptateur	3	
<b>7</b>	1	<b>471 8279-03</b>	Valve	Soupape	1,2	50/60 Hz
	1	<b>471 8279-08</b>	•Repair kit	•Kit de réparation	1,2	
<b>8</b>	1	<b>432 2958-01</b>	Cable set	Jeu de câbles	3	
<b>9</b>	1	<b>471 8624-01</b>	Nipple	Raccord	3	
<b>10</b>	1	<b>744 3113-06</b>	Filter	Filtre	3	1/2"



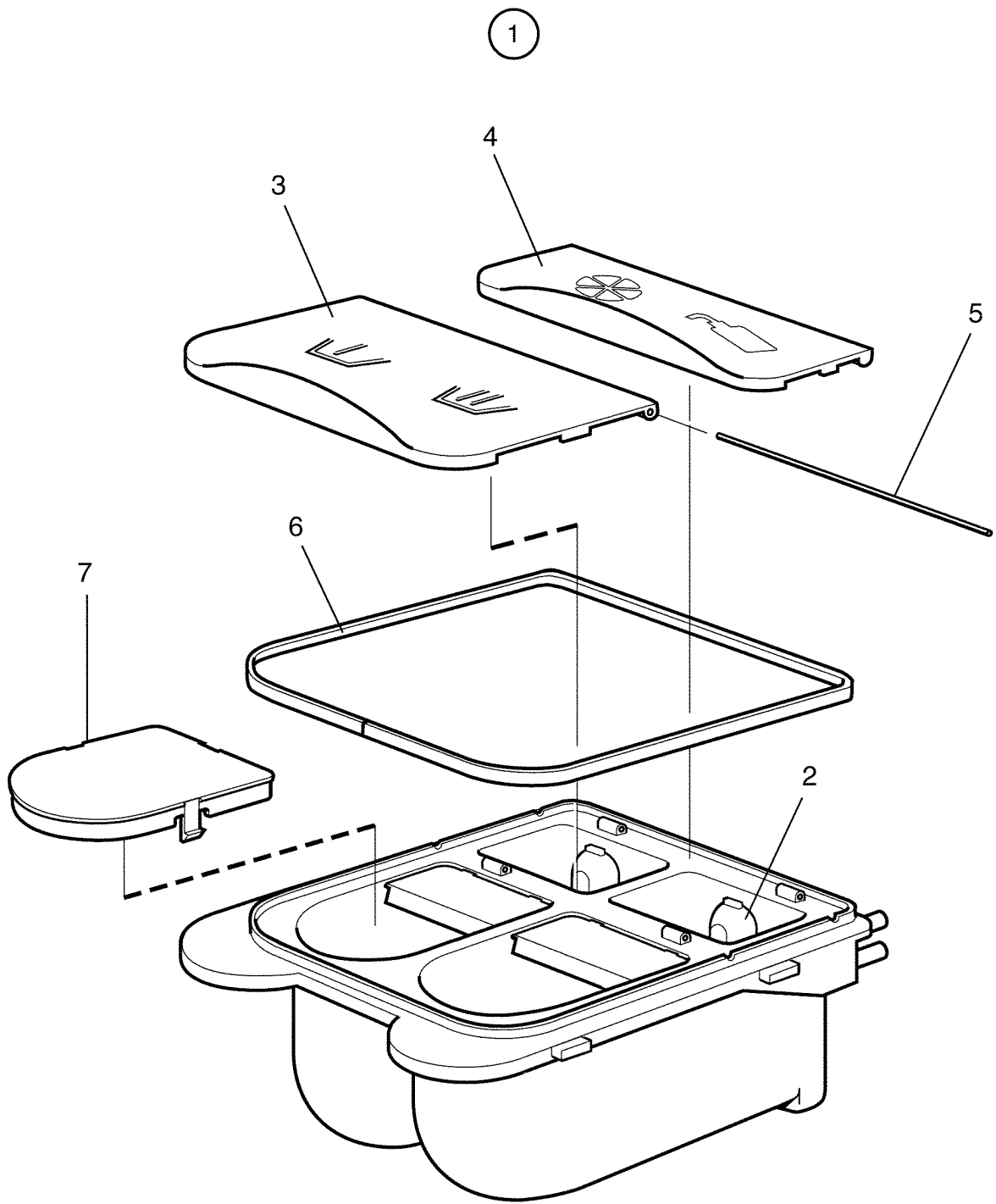
**E630,W630,W630c,W630s**

**Manual starter unit, Classic**

**Sans monnayeur unité de démarrage, Classic**

Illustration Issue Month Year  
Schéma Issue Month Year  
**101991/1 1 11 2001**

Item Article	Qua. Qua.	Art.No Réf. article	Description	Description	Info Info	Notes Remarques
<b>1</b>	1	<b>432 2150-06</b>	Cover plate	Couvercle	3	2-button
	1	<b>432 2150-07</b>	Cover plate	Couvercle	3	1-button
<b>2</b>	2	<b>432 2181-01</b>	Lock washer	Rondelle d'arrêt	3	
<b>3</b>	8	<b>732 2112-01</b>	Locking nut	Contre-écrou	3	M4
<b>4</b>	1	<b>471 4904-02</b>	Bracket	Pupitre	3	
<b>5</b>	8	<b>735 2136-01</b>	Lock washer	Rondelle d'arrêt	3	AZ 4,3
<b>6</b>	2	<b>725 2289-61</b>	Screw	Vis	3	M4X10
<b>7</b>	1	<b>438 9648-01</b>	Pushbutton pad	Rang bouton-poussoir	1,2	2-button
	1	<b>438 9648-02</b>	Pushbutton pad	Rang bouton-poussoir	1,2	1-button
<b>8</b>	1	<b>432 3082-40</b>	Cable set	Jeu de câbles	3	X91-X191
<b>9</b>	1	<b>432 3082-44</b>	Cable set	Jeu de câbles	3	X291-X33
<b>10</b>	1	<b>432 3084-06</b>	Cable set	Jeu de câbles	3	X21-X121
<b>11</b>	1	<b>432 2982-20</b>	Cable set	Jeu de câbles	3	Ground



Issue	Month	Year
03	04	03

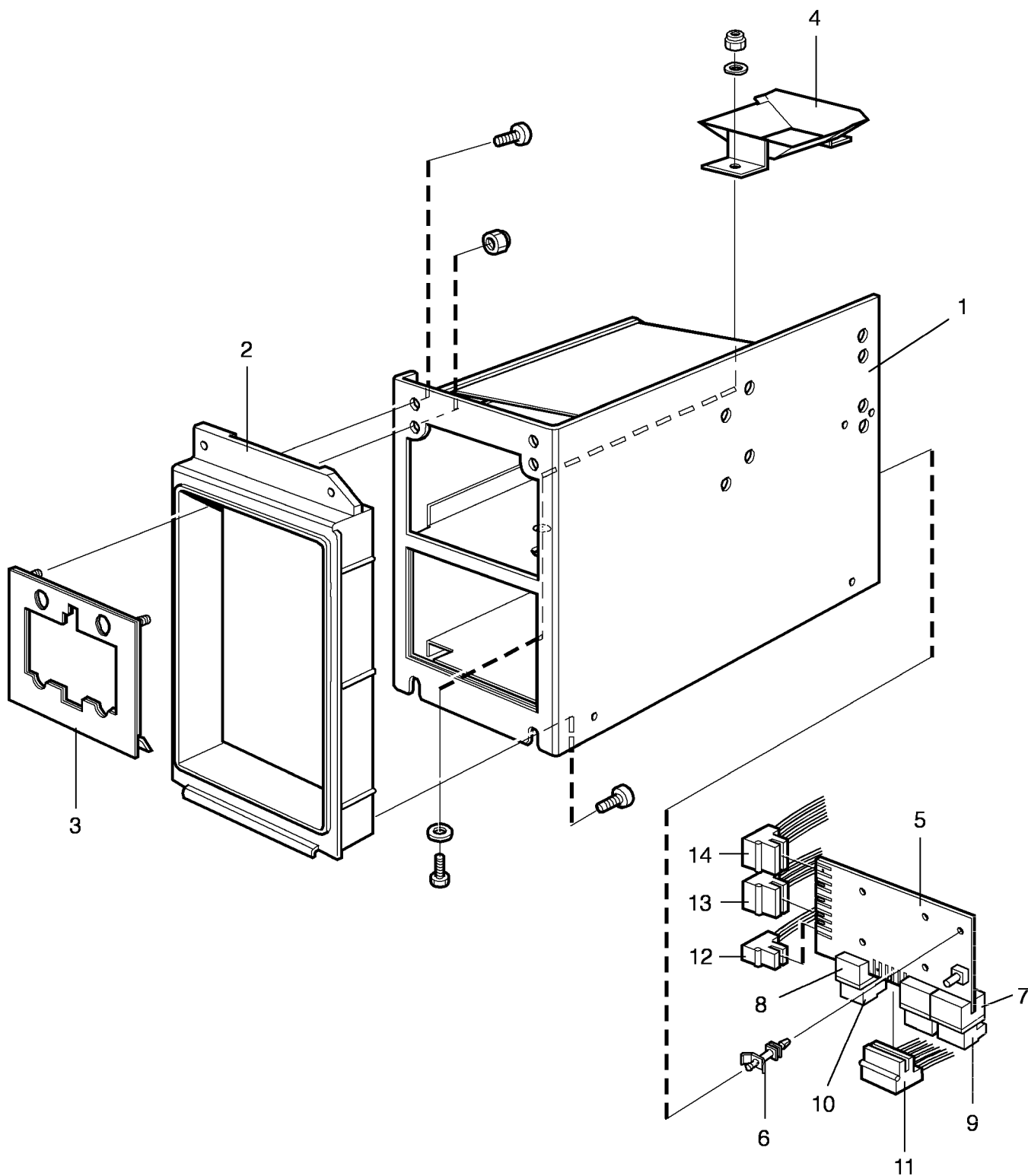
**E630,W630,W630c,W630s**

**Detergent container**

**Compartment à savon**

Illustration Issue Month Year  
Schéma Issue Month Year  
**101771/2 5 4 2003**

Item Article	Qua. Qua.	Art.No Réf. article	Description	Description	Info Info	Notes Remarques
<b>1</b>	1	<b>432 2401-01</b>	Detergent container	Compartment à savon	1,2	
<b>2</b>	2	<b>432 2404-01</b>	•Siphon	•Siphon	1,2	
<b>3</b>	1	<b>432 2405-01</b>	•Cover	•Couvercle	1,2	
<b>4</b>	1	<b>432 2406-01</b>	•Cover	•Couvercle	1,2	
<b>5</b>	2	<b>432 2407-01</b>	•Shaft	•Arbre	3	
<b>6</b>	1	<b>438 8103-01</b>	•Seal	•Joint	1,2	
<b>7</b>	1	<b>432 2409-01</b>	Cover	Couvercle	3	



Issue	Month	Year
01	10	01



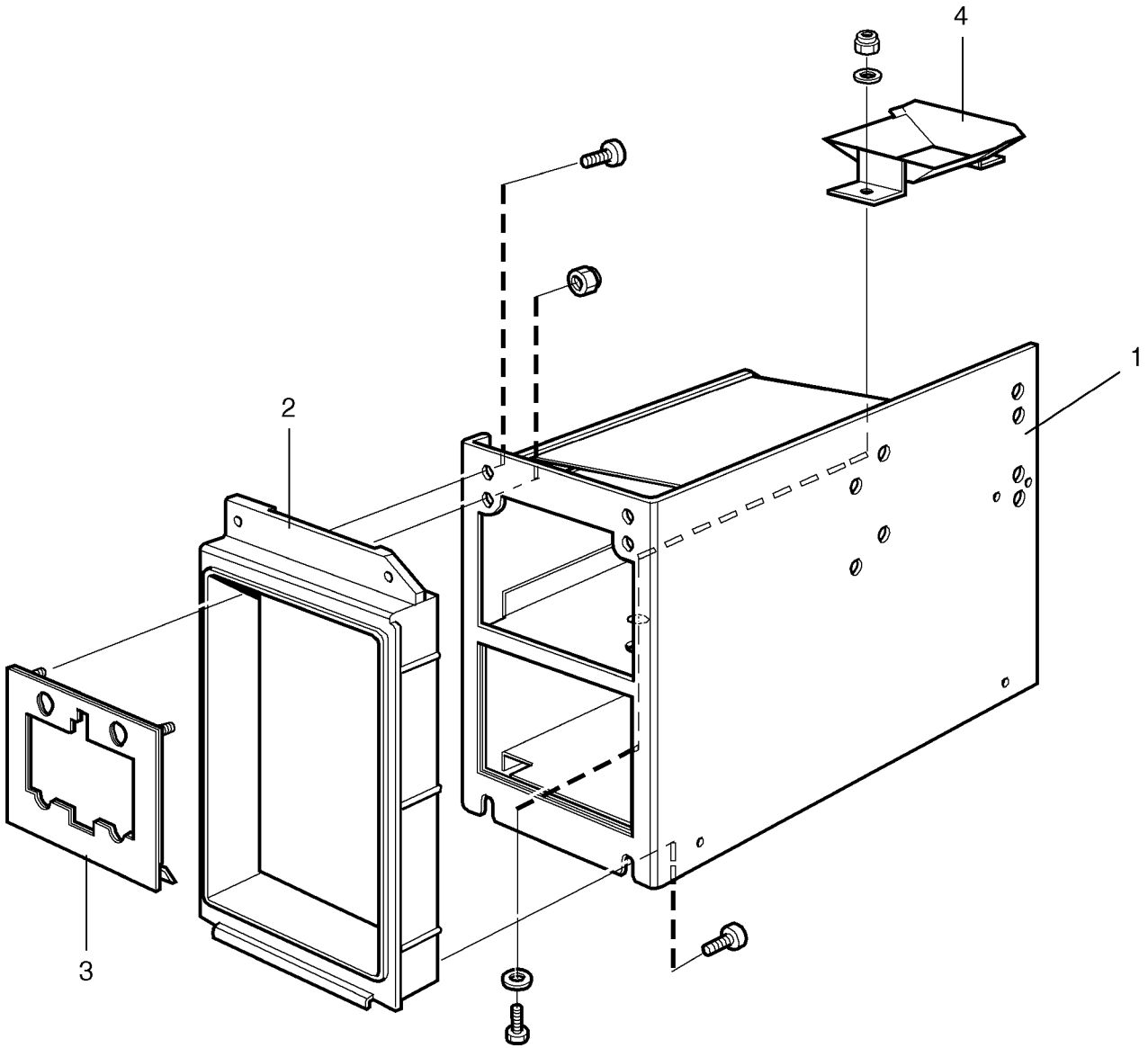
**E630,W630,W630c,W630s**

**Coin meter USA**

**Monnayeur USA**

Illustration Issue Month Year  
Schéma Issue Month Year  
**101979/1 1 10 2001**

Item Article	Qua. Qua.	Art.No Réf. article	Description	Description	Info Info	Notes Remarques
1	1	432 2208-01	Cassette	Cassette	3	
2	1	432 2173-01	Frame	Châssis	3	
3	1	438 4086-01	Cover plate	Couvercle	3	
4	1	472 8604-01	Guide plate	Tôle de guidage	3	
5	1	438 8790-01	Printed circuit board	Circuit imprimé	1,2	
6	4	471 7960-02	Support	Support	3	
7	2	438 8701-02	Frame	Châssis	3	
8	1	438 8701-04	Frame	Châssis	3	
9	2	438 8701-01	Multistik	Multi-grippe	3	
10	1	438 8701-03	Multistik	Multi-grippe	3	
11	1	432 3086-15	Cable set	Jeu de câbles	3	
12	1	432 3082-55	Cable set	Jeu de câbles	3	
13	1	432 3082-23	Cable set	Jeu de câbles	3	
14	1	432 3084-01	Cable set	Jeu de câbles	3	X32-X132



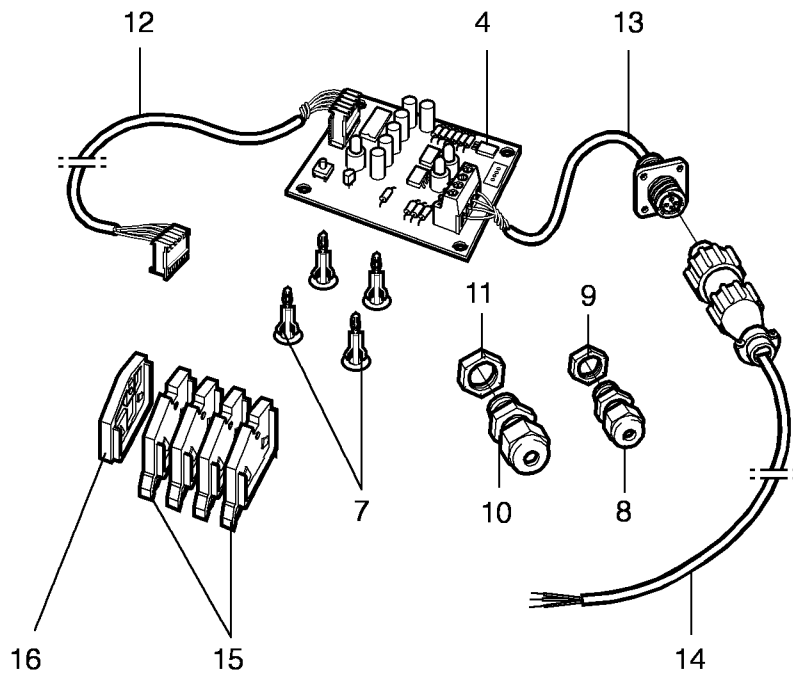
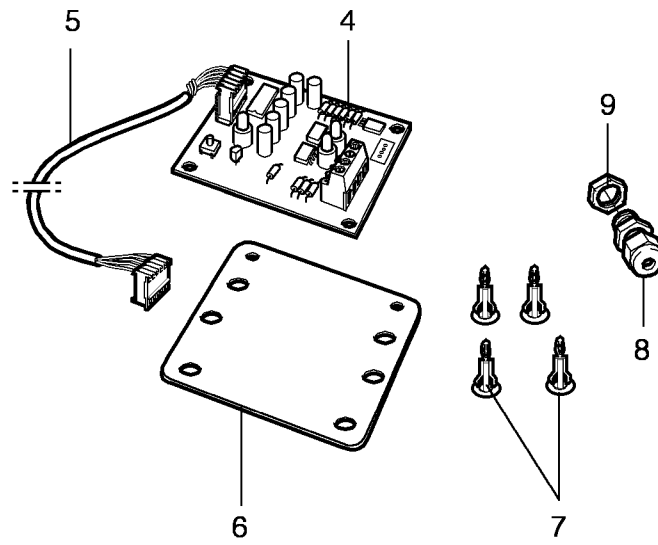
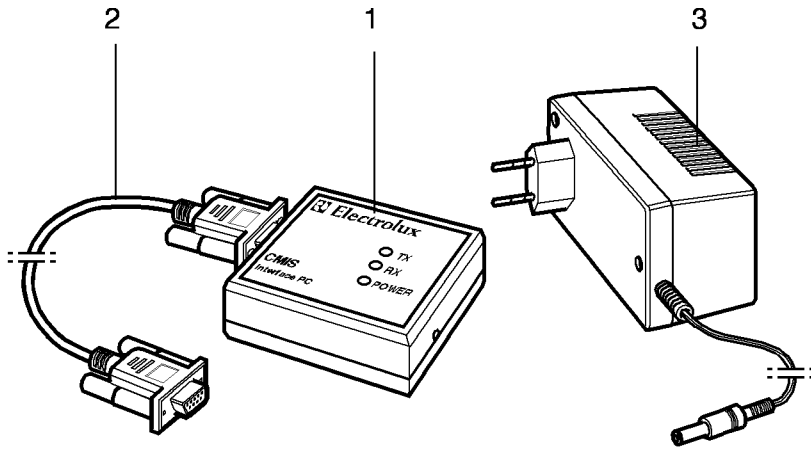
**E630,W630,W630c,W630s**

**Coin meter USA Classic**

**Monnayeur USA Classic**

Illustration	Issue	Month	Year
Schéma	Issue	Month	Year
<b>102128/1</b>	<b>1</b>	<b>1</b>	<b>2002</b>

Item Article	Qua. Qua.	Art.No Réf. article	Description	Description	Info Info	Notes Remarques
<b>1</b>	1	<b>432 2208-01</b>	Cassette	Cassette	3	
<b>2</b>	1	<b>432 2173-01</b>	Frame	Châssis	3	
<b>3</b>	1	<b>438 4086-01</b>	Cover plate	Couvercle	3	
<b>4</b>	1	<b>472 8604-01</b>	Guide plate	Tôle de guidage	3	



Issue	Month	Year
01	12	01

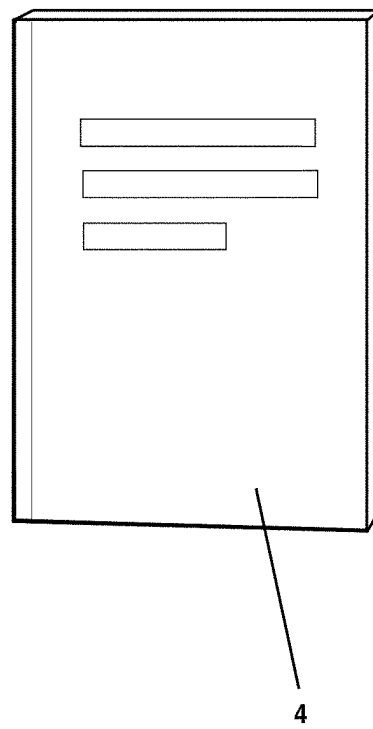
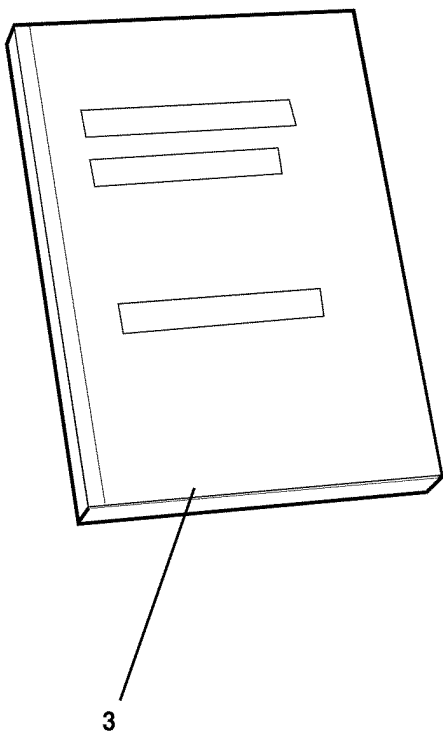
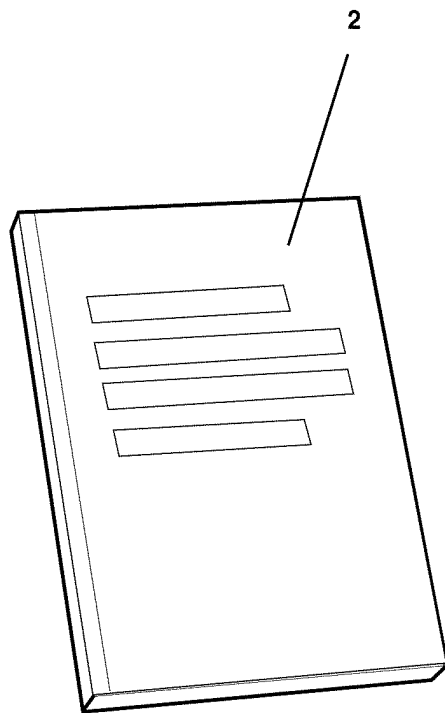
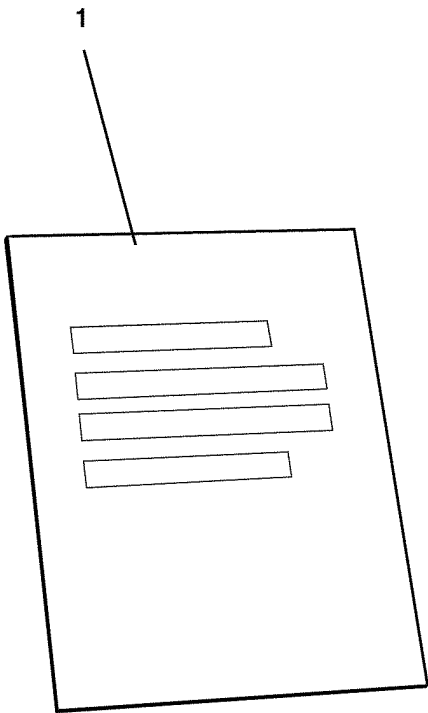
**E630,W630,W630c,W630s**

**CMIS**

**CMIS**

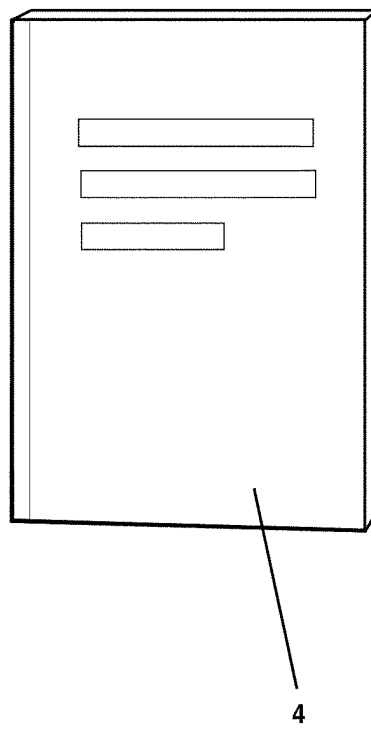
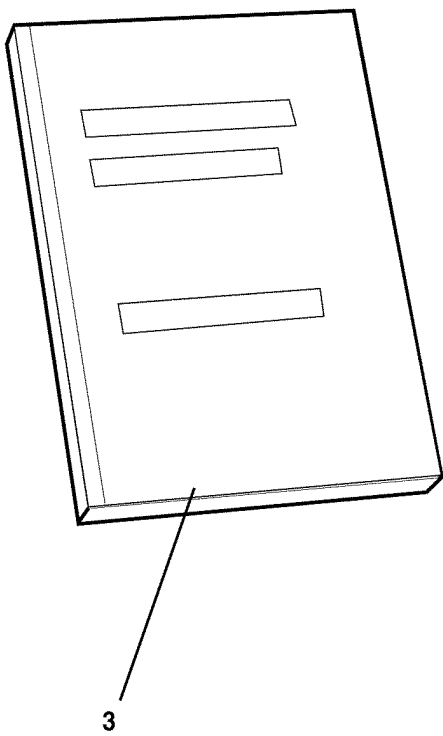
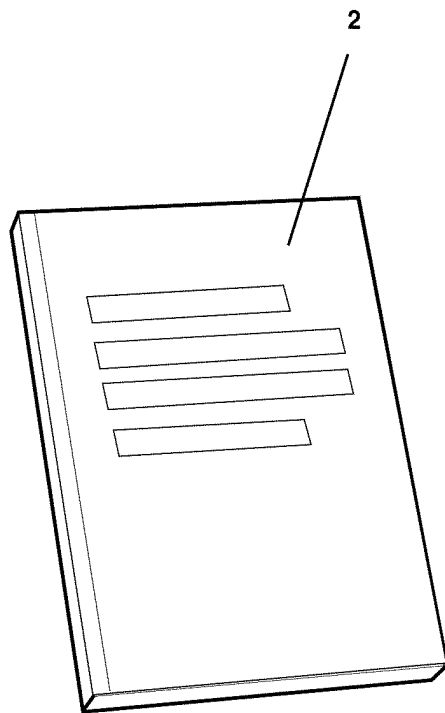
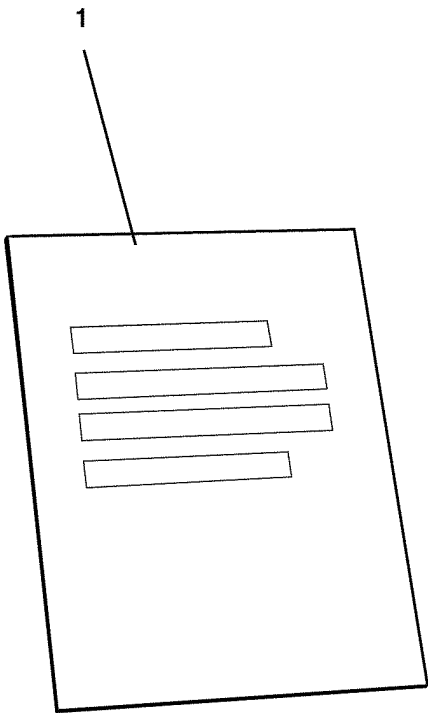
Illustration Issue Month Year  
Schéma Issue Month Year  
**102107/1 1 12 2001**

Item Article	Qua. Qua.	Art.No Réf. article	Description	Description	Info Info	Notes Remarques
1	1	438 8796-01	Interface PC	Interface PC	1	Complete
2	1	438 8793-01	Cable	Câble	3	Complete
3	1	471 9680-01	Battery eliminator	Battery eliminator	3	24V
4	1	438 8791-01	CMIS Interface	CMIS Interface	1	
5	1	432 2933-03	Cable set	Jeu de câbles	3	
6	1	471 4601-01	Bracket	Pupitre	3	
7	4	471 7958-02	Support	Support	3	
8	1	471 8780-01	Screw fitting	Vis de raccord	3	15,2
9	1	471 8780-31	Nut	Écrou	3	15
10	1	471 8780-02	Screw fitting	Vis de raccord	3	18,2
11	1	471 8780-32	Nut	Écrou	3	18
12	1	432 2933-02	Cable set	Jeu de câbles	3	
13	1	438 7300-87	Cable set	Jeu de câbles	3	
14	1	438 7300-88	Cable set	Jeu de câbles	3	
15	4	471 8781-02	Block	Cale	3	Orange
16	1	471 8781-11	Block	Cale	3	



**E630,W630,W630c,W630s****Technical documentation**Illustration    Issue    Month    Year  
Schéma    Issue    Month    Year**Documentation technique****101969/1    1    5    1**

Item Article	Qua. Qua.	Art.No Réf. article	Description	Description	Info Info	Notes Remarques	
1	1	438 9200-20	Installation instructions	Instructions installation	1	Exacta/Clarus Swedish	
	1	438 9200-21	Installation instructions	Instructions installation	1	Exacta/Clarus English	
	1	438 9200-22	Installation instructions	Instructions installation	1	Exacta/Clarus German	
	1	438 9200-23	Installation instructions	Instructions installation	1	Exacta/Clarus French	
	1	438 9200-24	Installation instructions	Instructions installation	1	Exacta/Clarus Spanish	
	1	438 9200-25	Installation instructions	Instructions installation	1	Exacta/Clarus Danish	
	1	438 9200-26	Installation instructions	Instructions installation	1	Exacta/Clarus Finnish	
	1	438 9200-27	Installation instructions	Instructions installation	1	Exacta/Clarus Norwegian	
	1	438 9200-28	Installation instructions	Instructions installation	1	Exacta/Clarus Dutch	
	1	438 9200-29	Installation instructions	Instructions installation	1	Exacta/Clarus Italian	
	1	438 9200-30	Installation instructions	Instructions installation	1	Exacta/Clarus Portuguese	
	1	438 9200-31	Installation instructions	Instructions installation	1	Exacta/Clarus Japanese	
	2	1	438 9200-50	User instructions	Instruction de fonctionnement	1	Exacta Swedish
		1	438 9200-51	User instructions	Instruction de fonctionnement	1	Exacta English
		1	438 9200-52	User instructions	Instruction de fonctionnement	1	Exacta German
		1	438 9200-53	User instructions	Instruction de fonctionnement	1	Exacta French
		1	438 9200-54	User instructions	Instruction de fonctionnement	1	Exacta Spanish
		1	438 9200-55	User instructions	Instruction de fonctionnement	1	Exacta Danish
		1	438 9200-56	User instructions	Instruction de fonctionnement	1	Exacta Finnish
		1	438 9200-57	User instructions	Instruction de fonctionnement	1	Exacta Norwegian
		1	438 9200-58	User instructions	Instruction de fonctionnement	1	Exacta Dutch
		1	438 9200-59	User instructions	Instruction de fonctionnement	1	Exacta Italian
		1	438 9200-60	User instructions	Instruction de fonctionnement	1	Exacta Portuguese
		1	438 9200-61	User instructions	Instruction de fonctionnement	1	Exacta Japanese
		1	438 9201-00	User instructions	Instruction de fonctionnement	1	Clarus Swedish
		1	438 9201-01	User instructions	Instruction de fonctionnement	1	Clarus English
		1	438 9201-02	User instructions	Instruction de fonctionnement	1	Clarus German
		1	438 9201-03	User instructions	Instruction de fonctionnement	1	Clarus French
		1	438 9201-04	User instructions	Instruction de fonctionnement	1	Clarus Spanish
		1	438 9201-05	User instructions	Instruction de fonctionnement	1	Clarus Danish
		1	438 9201-06	User instructions	Instruction de fonctionnement	1	Clarus Finnish
1		438 9201-07	User instructions	Instruction de fonctionnement	1	Clarus Norwegian	
1		438 9201-08	User instructions	Instruction de fonctionnement	1	Clarus Dutch	
1		438 9201-09	User instructions	Instruction de fonctionnement	1	Clarus Italian	
1		438 9201-11	User instructions	Instruction de fonctionnement	1	Clarus Japanese	
1		438 9200-70	User instructions	Instruction de fonctionnement	1	Classic Swedish	
1		438 9200-71	User instructions	Instruction de fonctionnement	1	Classic English	
1		438 9200-72	User instructions	Instruction de fonctionnement	1	Classic German	
1		438 9200-73	User instructions	Instruction de fonctionnement	1	Classic French	
1		438 9200-74	User instructions	Instruction de fonctionnement	1	Classic Spanish	
1		438 9200-75	User instructions	Instruction de fonctionnement	1	Classic Danish	
1		438 9200-76	User instructions	Instruction de fonctionnement	1	Classic Finnish	
1	438 9200-77	User instructions	Instruction de fonctionnement	1	Classic Norwegian		
1	438 9200-78	User instructions	Instruction de fonctionnement	1	Classic Dutch		
1	438 9200-79	User instructions	Instruction de fonctionnement	1	Classic Italian		
1	438 9200-80	User instructions	Instruction de fonctionnement	1	Classic Portuguese		
1	438 9200-81	User instructions	Instruction de fonctionnement	1	Classic Japanese		
3	1	438 9201-50	Service manual	Manuel d'entretien	1	Clarus Swedish	
	1	438 9201-51	Service manual	Manuel d'entretien	1	Clarus English	
	1	438 9201-52	Service manual	Manuel d'entretien	1	Clarus German	
	1	438 9201-53	Service manual	Manuel d'entretien	1	Clarus French	
	1	438 9201-54	Service manual	Manuel d'entretien	1	Clarus Spanish	
	1	438 9201-59	Service manual	Manuel d'entretien	1	Clarus Italian	
	1	438 9201-61	Service manual	Manuel d'entretien	1	Clarus Japanese	
	1	438 9201-80	Service manual	Manuel d'entretien	1	Exacta Swedish	
1	438 9201-81	Service manual	Manuel d'entretien	1	Exacta English		
1	438 9201-82	Service manual	Manuel d'entretien	1	Exacta German		
1	438 9201-83	Service manual	Manuel d'entretien	1	Exacta French		
1	438 9201-84	Service manual	Manuel d'entretien	1	Exacta Spanish		





**E630,W630,W630c,W630s**

**Technical documentation**

**Documentation technique**

Illustration	Issue	Month	Year
Schéma	Issue	Month	Year
<b>101969/1</b>	<b>1</b>	<b>5</b>	<b>1</b>

Item Article	Qua. Qua.	Art.No Réf. article	Description	Description	Info Info	Notes Remarques
<b>4</b>	1	<b>438 9201-89</b>	Service manual	Manuel d'entretien	1	Exacta Italian
	1	<b>438 9201-91</b>	Service manual	Manuel d'entretien	1	Exacta Japanese
	1	<b>438 9050-50</b>	Programming	Programmation	1	Clarus Swedish
	1	<b>438 9050-51</b>	Programming	Programmation	1	Clarus English
	1	<b>438 9050-52</b>	Programming	Programmation	1	Clarus German
	1	<b>438 9050-53</b>	Programming	Programmation	1	Clarus French
	1	<b>438 9050-54</b>	Programming	Programmation	1	Clarus Spanish
	1	<b>438 9050-55</b>	Programming	Programmation	1	Clarus Danish
	1	<b>438 9050-56</b>	Programming	Programmation	1	Clarus Finnish
	1	<b>438 9050-57</b>	Programming	Programmation	1	Clarus Norwegian
	1	<b>438 9050-58</b>	Programming	Programmation	1	Clarus Dutch
1	<b>438 9050-59</b>	Programming	Programmation	1	Clarus Italian	



## Numerical index/Numerical index

Art.No/Réf. article	Page/Page	Art.No/Réf. article	Page/Page	Art.No/Réf. article	Page/Page	Art.No/Réf. article	Page/Page
432 0149-01	33	432 2168-01	39	432 2603-15	25	432 2650-38	21
432 0150-01	33	432 2168-01	41	432 2603-16	25	432 2650-39	21
432 1210-06	17	432 2169-01	45	432 2603-20	25	432 2650-40	21
432 1210-07	17	432 2169-01	47	432 2603-20	27	432 2650-41	21
432 1220-01	43	432 2169-01	49	432 2603-20	29	432 2650-42	21
432 1451-01	7	432 2169-01	51	432 2620-01	13	432 2650-43	21
432 1453-01	7	432 2171-01	37	432 2620-02	13	432 2650-44	21
432 1455-01	17	432 2171-01	39	432 2620-04	13	432 2650-45	21
432 1463-01	17	432 2171-01	41	432 2620-07	13	432 2650-46	21
432 1465-01	17	432 2172-01	45	432 2620-08	13	432 2650-47	21
432 1472-01	17	432 2172-01	47	432 2630-01	29	432 2650-48	21
432 1474-01	17	432 2172-01	49	432 2630-02	29	432 2650-49	21
432 1477-01	7	432 2172-01	51	432 2630-03	29	432 2650-50	21
432 1501-11	11	432 2173-01	73	432 2630-04	29	432 2650-51	21
432 1501-12	11	432 2173-01	75	432 2630-05	29	432 2650-52	21
432 1541-01	11	432 2180-01	9	432 2630-06	29	432 2650-53	21
432 1546-01	11	432 2181-01	25	432 2630-07	29	432 2650-54	21
432 1551-01	11	432 2181-01	69	432 2630-08	29	432 2650-55	21
432 1561-01	11	432 2182-02	9	432 2630-09	29	432 2650-56	21
432 1566-01	11	432 2196-01	45	432 2630-10	29	432 2650-57	21
432 1571-11	11	432 2196-01	47	432 2649-03	19	432 2650-58	21
432 1571-12	11	432 2196-01	49	432 2649-04	19	432 2650-59	21
432 1571-13	11	432 2196-01	51	432 2649-05	19	432 2650-60	21
432 1606-21	11	432 2198-02	7	432 2649-06	19	432 2650-61	21
432 1606-22	11	432 2200-31	9	432 2649-07	19	432 2650-62	21
432 1631-01	67	432 2200-32	9	432 2649-20	19	432 2650-63	21
432 1653-01	7	432 2200-33	9	432 2649-21	19	432 2650-64	21
432 1654-01	7	432 2200-34	9	432 2649-22	19	432 2650-65	21
432 1673-01	67	432 2200-35	9	432 2649-23	19	432 2650-66	21
432 1826-01	13	432 2200-36	9	432 2649-24	19	432 2650-67	21
432 1841-01	13	432 2200-40	9	432 2649-25	19	432 2650-68	21
432 1856-01	13	432 2208-01	73	432 2649-26	19	432 2650-69	21
432 1871-01	13	432 2208-01	75	432 2649-27	19	432 2650-70	21
432 1886-01	13	432 2301-01	55	432 2649-28	19	432 2650-71	21
432 1950-01	13	432 2305-01	55	432 2650-02	19	432 2650-72	21
432 1951-01	13	432 2401-01	71	432 2650-03	19	432 2650-73	21
432 1955-01	13	432 2404-01	71	432 2650-04	19	432 2650-74	21
432 1956-01	13	432 2405-01	71	432 2650-05	19	432 2650-75	21
432 1960-01	15	432 2406-01	71	432 2650-06	19	432 2650-76	21
432 1961-01	13	432 2407-01	71	432 2650-07	19	432 2650-77	21
432 2011-02	19	432 2409-01	71	432 2650-08	19	432 2650-78	21
432 2013-02	19	432 2501-01	61	432 2650-09	19	432 2650-79	21
432 2014-02	27	432 2502-01	61	432 2650-10	19	432 2650-80	23
432 2021-02	29	432 2502-01	63	432 2650-11	19	432 2650-81	23
432 2041-01	9	432 2505-01	61	432 2650-12	19	432 2650-82	23
432 2041-02	9	432 2506-01	63	432 2650-13	19	432 2650-83	23
432 2041-10	9	432 2507-01	63	432 2650-14	19	432 2650-84	23
432 2072-02	9	432 2508-01	63	432 2650-16	19	432 2650-85	23
432 2073-01	9	432 2510-01	63	432 2650-17	19	432 2650-86	23
432 2103-02	9	432 2511-01	63	432 2650-18	19	432 2650-87	23
432 2120-01	9	432 2515-01	63	432 2650-19	19	432 2650-88	23
432 2130-05	9	432 2515-02	65	432 2650-20	19	432 2650-89	23
432 2130-06	9	432 2516-04	65	432 2650-22	19	432 2650-90	23
432 2150-01	25	432 2517-02	65	432 2650-25	19	432 2650-91	23
432 2150-06	69	432 2518-02	65	432 2650-26	19	432 2650-92	23
432 2150-07	69	432 2519-04	63	432 2650-27	19	432 2650-93	23
432 2154-01	43	432 2521-05	63	432 2650-28	19	432 2650-94	23
432 2155-01	9	432 2530-01	65	432 2650-29	19	432 2650-95	23
432 2156-01	43	432 2531-02	65	432 2650-30	21	432 2650-96	23
432 2156-02	43	432 2534-01	65	432 2650-31	21	432 2650-97	23
432 2159-01	33	432 2536-01	65	432 2650-32	21	432 2650-98	23
432 2160-01	33	432 2537-01	65	432 2650-33	21	432 2652-05	23
432 2161-01	33	432 2548-01	65	432 2650-34	21	432 2652-06	23
432 2162-02	33	432 2603-10	29	432 2650-35	21	432 2652-07	23
432 2167-01	31	432 2603-13	25	432 2650-36	21	432 2652-08	23
432 2168-01	37	432 2603-14	25	432 2650-37	21	432 2652-09	23

## Numerical index/Numerical index

Art.No/Réf. article	Page/Page	Art.No/Réf. article	Page/Page	Art.No/Réf. article	Page/Page	Art.No/Réf. article	Page/Page
432 2652-10	23	432 2851-43	27	432 3082-35	41	432 3086-12	41
432 2652-11	23	432 2851-44	27	432 3082-36	31	432 3086-14	37
432 2652-12	23	432 2851-46	27	432 3082-37	45	432 3086-14	39
432 2652-13	23	432 2851-47	27	432 3082-37	49	432 3086-15	73
432 2652-14	23	432 2851-49	27	432 3082-40	69	432 3086-16	37
432 2652-15	23	432 2851-50	27	432 3082-41	33	432 3086-16	39
432 2652-16	23	432 2851-52	27	432 3082-42	31	432 3086-60	57
432 2652-17	23	432 2851-53	27	432 3082-43	35	432 3086-60	59
432 2652-18	23	432 2851-54	27	432 3082-44	69	432 3086-81	57
432 2652-19	23	432 2851-55	27	432 3082-45	37	432 3086-89	31
432 2652-20	23	432 2851-80	27	432 3082-45	39	432 3086-89	37
432 2652-21	23	432 2851-81	27	432 3082-45	41	432 3086-89	39
432 2652-22	23	432 2851-85	27	432 3082-48	33	432 3086-89	41
432 2652-23	23	432 2851-86	27	432 3082-49	33	432 3086-92*	33
432 2652-24	23	432 2903-01	65	432 3082-52	37	432 3087-05	31
432 2652-25	23	432 2905-01	15	432 3082-52	39	432 3087-06	37
432 2652-26	23	432 2933-02	77	432 3082-53	37	432 3087-06	39
432 2652-27	23	432 2933-03	77	432 3082-53	39	432 3087-06	41
432 2652-28	23	432 2945-01	43	432 3082-55	73	432 3087-07	37
432 2652-29	23	432 2950-01	7	432 3082-56	33	432 3087-07	39
432 2652-30	23	432 2951-01	7	432 3082-58	31	432 3087-07	41
432 2652-31	23	432 2953-02	7	432 3082-58	37	432 3087-08	37
432 2652-32	23	432 2954-01	43	432 3082-58	39	432 3087-08	39
432 2652-33	23	432 2954-02	43	432 3082-58	41	432 3087-08	41
432 2652-34	23	432 2958-01	67	432 3082-59	33	432 3087-09	37
432 2652-35	23	432 2960-01	45	432 3082-65	37	432 3087-09	39
432 2652-36	25	432 2960-01	47	432 3082-65	39	432 3087-09	41
432 2652-37	25	432 2960-04	45	432 3082-65	41	432 3087-16	31
432 2652-38	25	432 2960-04	47	432 3082-74	7	432 3087-20	33
432 2652-39	25	432 2961-01	49	432 3082-75	31	432 3087-75	33
432 2652-40	25	432 2961-02	49	432 3082-77	33	432 3087-92	33
432 2652-41	25	432 2962-02	47	432 3082-86	43	432 3088-14	31
432 2720-01	19	432 2962-03	47	432 3082-90*	35	432 3088-14	41
432 2720-02	19	432 2963-02	49	432 3082-99	31	432 3088-18	35
432 2720-03	19	432 2963-02	51	432 3082-99	37	432 3088-81	59
432 2720-04	19	432 2963-03	49	432 3082-99	39	432 3182-02	35
432 2720-05	19	432 2963-03	51	432 3082-99	41	432 3182-11	31
432 2720-06	19	432 2964-02	45	432 3083-13	37	432 3182-30	45
432 2720-08	19	432 2964-02	47	432 3083-13	39	432 3182-30	49
432 2720-09	19	432 2964-03	45	432 3083-13	41	432 3182-41	63
432 2720-10	19	432 2964-03	47	432 3083-14	37	432 3182-52	43
432 2720-11	19	432 2966-01	45	432 3083-14	39	432 3182-61	29
432 2720-12	19	432 2966-01	47	432 3083-14	41	432 3182-72	29
432 2720-13	19	432 2971-01	49	432 3083-18	35	432 3182-78	29
432 2720-14	19	432 2971-03	45	432 3083-30	33	432 3182-93	33
432 2720-15	19	432 2972-01	47	432 3083-35	37	432 3182-94	31
432 2750-01	29	432 2972-01	51	432 3083-35	39	432 3182-94	37
432 2802-01	27	432 2981-01	33	432 3083-35	41	432 3182-94	39
432 2802-40	27	432 2982-10	65	432 3083-36	17	432 3182-94	41
432 2802-80	27	432 2982-20	69	432 3083-81	37	432 3901-01	17
432 2844-01	9	432 2985-01	7	432 3083-81	39	432 3905-01	17
432 2851-01	27	432 2986-01	43	432 3084-01	73	432 3907-01	31
432 2851-02	27	432 2992-01	17	432 3084-06	69	432 3908-01	31
432 2851-04	27	432 3082-04	31	432 3084-13	35	432 3909-01	31
432 2851-05	27	432 3082-07	35	432 3084-16	35	432 3910-01	31
432 2851-07	27	432 3082-08	35	432 3084-28	41	432 3911-01	31
432 2851-08	27	432 3082-15	33	432 3084-31	31	432 4112-01	13
432 2851-10	27	432 3082-18	35	432 3084-40	33	432 4115-52	7
432 2851-11	27	432 3082-21	33	432 3085-04	35	438 0013-01	17
432 2851-13	27	432 3082-23	73	432 3085-12	35	438 0016-11	17
432 2851-14	27	432 3082-25	43	432 3085-15	33	438 0040-01	37
432 2851-16	27	432 3082-26	31	432 3085-25	35	438 0040-01	39
432 2851-17	27	432 3082-33	35	432 3085-30	37	438 0040-01	41
432 2851-19	27	432 3082-35	31	432 3085-30	39	438 0051-01	61
432 2851-40	27	432 3082-35	37	432 3085-30	41	438 0052-01	61
432 2851-41	27	432 3082-35	39	432 3086-10	31	438 0053-01	61

Numerical index/Numerical index

Art.No/Réf. article	Page/Page	Art.No/Réf. article	Page/Page	Art.No/Réf. article	Page/Page	Art.No/Réf. article	Page/Page
438 0054-01	61	438 8981-03	39	438 9201-80	79	471 6860-20	57
438 0055-01	61	438 8981-03	41	438 9201-81	79	471 6860-20	59
438 0056-03	55	438 9050-50	81	438 9201-82	79	471 7182-26	45
438 0056-04	55	438 9050-51	81	438 9201-83	79	471 7182-26	47
438 0076-02	37	438 9050-52	81	438 9201-84	79	471 7182-26	49
438 0076-02	39	438 9050-53	81	438 9201-89	81	471 7182-26	51
438 0076-02	41	438 9050-54	81	438 9201-91	81	471 7565-21	9
438 0299-01	33	438 9050-55	81	438 9555-11	31	471 7711-08	17
438 0299-01	35	438 9050-56	81	438 9555-11	33	471 7801-07	61
438 4062-01	13	438 9050-57	81	438 9555-11	37	471 7807-02	7
438 4086-01	73	438 9050-58	81	438 9555-11	39	471 7826-10	9
438 4086-01	75	438 9050-59	81	438 9555-11	41	471 7826-20	9
438 4118-00	7	438 9200-20	79	438 9555-12	31	471 7859-12	43
438 5109-02	9	438 9200-21	79	438 9555-12	33	471 7859-16	43
438 5335-01	9	438 9200-22	79	438 9555-12	37	471 7867-01	17
438 7123-01	33	438 9200-23	79	438 9555-12	39	471 7871-04	61
438 7123-02	33	438 9200-24	79	438 9555-12	41	471 7871-07	63
438 7123-03	33	438 9200-25	79	438 9561-01	15	471 7871-07	65
438 7123-04	33	438 9200-26	79	438 9636-02	49	471 7871-08	55
438 7123-05	33	438 9200-27	79	438 9636-02	51	471 7873-02	63
438 7123-06	33	438 9200-28	79	438 9636-03	45	471 7958-02	31
438 7123-07	33	438 9200-29	79	438 9636-03	47	471 7958-02	33
438 7123-08	33	438 9200-30	79	438 9636-03	49	471 7958-02	37
438 7123-09	33	438 9200-31	79	438 9636-03	51	471 7958-02	39
438 7123-10	33	438 9200-50	79	438 9643-01	37	471 7958-02	41
438 7123-11	33	438 9200-51	79	438 9644-01	39	471 7958-02	43
438 7123-12	33	438 9200-52	79	438 9645-01	41	471 7958-02	45
438 7123-13	33	438 9200-53	79	438 9648-01	69	471 7958-02	49
438 7123-14	33	438 9200-54	79	438 9648-02	69	471 7958-02	77
438 7123-15	33	438 9200-55	79	438 9650-01	37	471 7960-02	73
438 7123-16	33	438 9200-56	79	438 9650-01	39	471 7967-02	9
438 7123-17	33	438 9200-57	79	438 9650-01	41	471 7977-03	9
438 7123-18	33	438 9200-58	79	438 9678-01	43	471 8118-02	63
438 7123-19	33	438 9200-59	79	438 9678-11	43	471 8124-03	63
438 7123-20	33	438 9200-60	79	438 9678-12	43	471 8126-27	67
438 7300-87	77	438 9200-61	79	438 9700-31	17	471 8128-41	63
438 7300-88	77	438 9200-70	79	438 9700-32	17	471 8128-64	63
438 7950-01	43	438 9200-71	79	438 9700-37	17	471 8139-01	63
438 7950-02	43	438 9200-72	79	438 9709-31	17	471 8139-11	63
438 8102-06	63	438 9200-73	79	438 9709-32	17	471 8175-01	55
438 8103-01	71	438 9200-74	79	438 9709-33	17	471 8192-01	7
438 8111-02	13	438 9200-75	79	438 9709-34	17	471 8195-01	61
438 8155-02	11	438 9200-76	79	471 2265-69	37	471 8196-01	9
438 8701-01	73	438 9200-77	79	471 2265-69	39	471 8199-01	55
438 8701-02	73	438 9200-78	79	471 2265-69	41	471 8215-01	65
438 8701-03	73	438 9200-79	79	471 2265-69	63	471 8236-76	57
438 8701-04	73	438 9200-80	79	471 2433-14	63	471 8236-76	59
438 8785-02	43	438 9200-81	79	471 2440-36	37	471 8236-78	57
438 8786-02	43	438 9201-00	79	471 2440-36	39	471 8236-78	59
438 8787-01	43	438 9201-01	79	471 2440-36	41	471 8240-64	59
438 8788-01	43	438 9201-02	79	471 2442-42	63	471 8240-68	59
438 8789-01	43	438 9201-03	79	471 2449-95	63	471 8240-91	59
438 8790-01	73	438 9201-04	79	471 2464-18	37	471 8243-04	63
438 8791-01	77	438 9201-05	79	471 2464-18	39	471 8243-05	63
438 8793-01	77	438 9201-06	79	471 2464-18	41	471 8243-06	63
438 8796-01	77	438 9201-07	79	471 2464-18	63	471 8243-07	63
438 8797-01	43	438 9201-08	79	471 2937-01	67	471 8243-08	63
438 8803-01	37	438 9201-09	79	471 4601-01	77	471 8243-09	63
438 8803-01	39	438 9201-11	79	471 4672-67	9	471 8279-03	67
438 8981-01	37	438 9201-50	79	471 4792-01	55	471 8279-08	67
438 8981-01	39	438 9201-51	79	471 4835-01	63	471 8319-02	17
438 8981-01	41	438 9201-52	79	471 4904-02	69	471 8323-01	11
438 8981-02	37	438 9201-53	79	471 6860-18	57	471 8328-02	11
438 8981-02	39	438 9201-54	79	471 6860-18	59	471 8342-47	15
438 8981-02	41	438 9201-59	79	471 6860-19	57	471 8344-36	13
438 8981-03	37	438 9201-61	79	471 6860-19	59	471 8404-02	13

## Numerical index/Numerical index

Art.No/Réf. article	Page/Page	Art.No/Réf. article	Page/Page	Art.No/Réf. article	Page/Page	Art.No/Réf. article	Page/Page
471 8458-02	9	471 9652-01	41	767 5101-92	51		
471 8458-02	13	471 9652-02	37	767 5102-92	45		
471 8471-01	13	471 9652-02	39	767 5102-92	47		
471 8502-10	17	471 9652-02	41	767 5102-92	51		
471 8502-14	11	471 9678-94	43	877 5211-08	55		
471 8502-24	17	471 9679-01	15				
471 8613-05	63	471 9680-01	77				
471 8624-01	67	471 9821-11	7				
471 8641-02	9	471 9821-12	7				
471 8644-02	55	471 9821-13	7				
471 8688-13	55	471 9821-14	7				
471 8688-13	61	471 9821-15	7				
471 8693-21	55	471 9821-99	7				
471 8695-01	67	471 9823-11	7				
471 8697-01	67	471 9823-12	7				
471 8748-01	17	472 6082-02	37				
471 8748-03	17	472 6082-02	39				
471 8750-11	33	472 6082-02	41				
471 8750-11	43	472 6761-01	55				
471 8759-01	43	472 8604-01	73				
471 8759-51	43	472 8604-01	75				
471 8767-01	43	472 9913-01	13				
471 8780-01	77	472 9913-13	11				
471 8780-02	77	472 9913-22	7				
471 8780-31	77	472 9913-43	31				
471 8780-32	77	472 9913-43	33				
471 8781-02	77	472 9913-43	37				
471 8781-11	77	472 9913-43	39				
471 8792-01	33	472 9913-43	41				
471 8793-01	33	472 9913-72	15				
471 8859-10	41	472 9915-17	9				
471 8859-13	37	472 9915-18	9				
471 8859-13	39	472 9915-19	9				
471 8861-01	31	472 9915-20	9				
471 8861-01	33	472 9915-67	9				
471 8861-01	37	472 9915-68	9				
471 8861-01	39	472 9915-69	9				
471 8861-01	41	472 9915-70	9				
471 8988-11	31	725 2289-61	69				
471 8992-13	45	725 2366-61	13				
471 8992-13	49	725 2465-71	7				
471 8993-01	33	725 2538-51	17				
471 8995-01	33	728 8362-11	13				
471 8995-02	33	732 2112-01	25				
471 8997-02	33	732 2112-01	69				
471 9219-65	65	732 2118-01	7				
471 9222-59	11	732 2118-01	11				
471 9501-02	45	735 2136-01	69				
471 9501-02	47	735 3139-00	11				
471 9525-24*	53	735 9501-01	11				
471 9525-25*	53	736 2816-51	55				
471 9525-27*	53	736 2825-51	63				
471 9525-31	53	736 2831-51	63				
471 9529-05	49	736 2837-51	63				
471 9529-05	51	736 2837-51	65				
471 9550-44	7	736 2840-51	63				
471 9550-49	7	736 2846-51	55				
471 9558-12	31	736 2846-51	63				
471 9566-05	45	736 2846-51	65				
471 9566-05	47	740 4206-00	55				
471 9566-05*	53	741 5109-25	55				
471 9604-01	45	744 3113-06	67				
471 9628-32	29	762 1182-10	43				
471 9628-33	29	762 1215-10	43				
471 9635-10	43	762 9102-05	55				
471 9635-11	43	767 5101-92	47				



## **WASCOMAT**

461 Doughty Blvd., Inwood, L.I., N.Y. 11096-0338

Telephone: 516-371-4400

Parts and Service FAX: 516-371-4029

Sales and Administration FAX: 516-371-4204