

WASCOMAT

Factory Parts Catalog

Product No.	WE16M4	WE16N4
Series	Wascomat	Wascomat
Market	North America	North America
Color	white	white
Volts	120	120
Wiring Diagram	134578300	134578300
Installation Instructions	134129100	134129100

 **Electrolux**

Electrolux Major Appliances
North & Latin America
P.O. BOX 212378
AUGUSTA, GA 30917

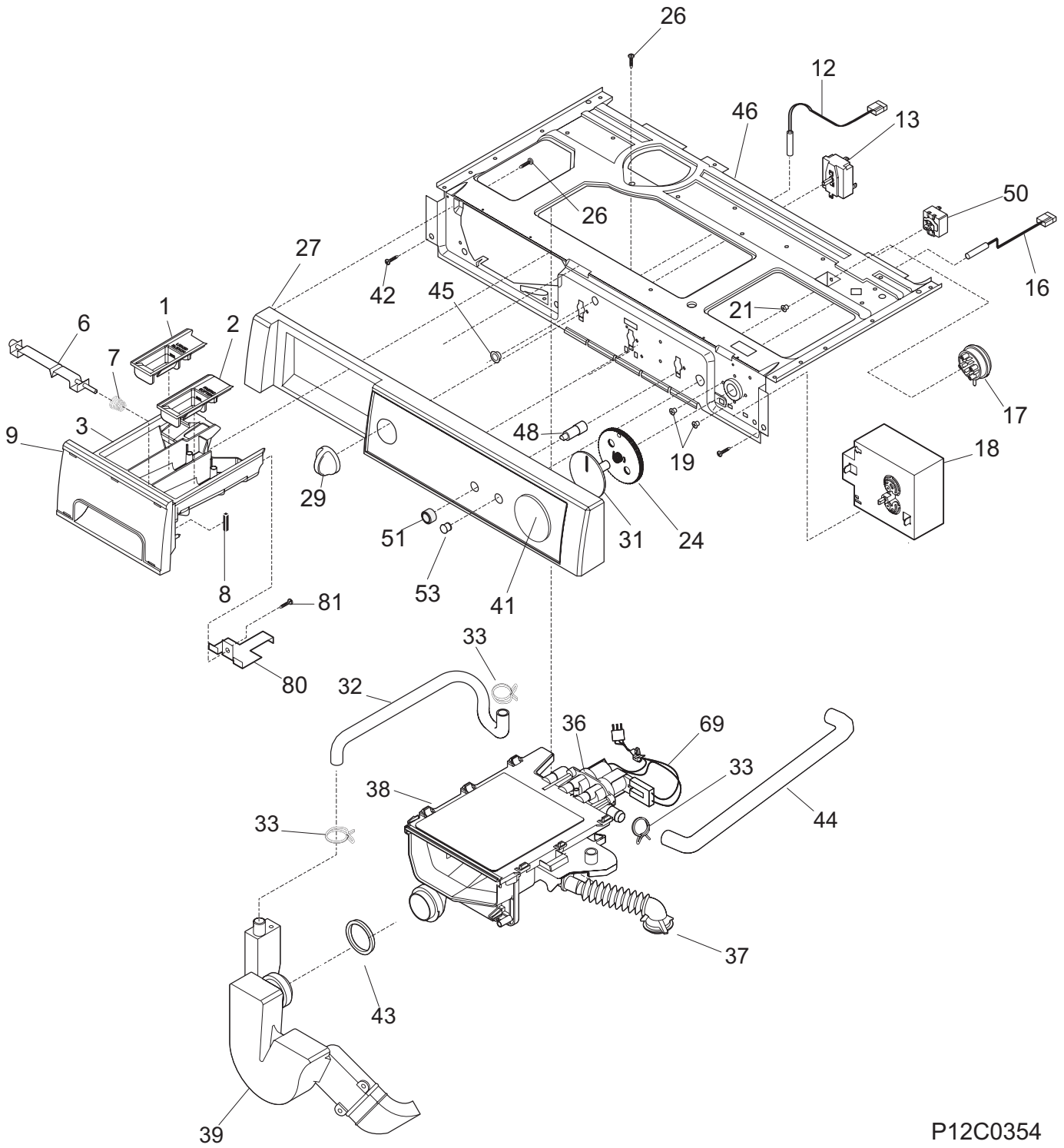
Publication No.
5995450961
05/10/11
(EN/SERVICE/KC)
361

**FRONT-LOAD
WASHING MACHINE**

Model No.
WE16

Copyright © 2005 Electrolux Home Products, Inc.
All rights reserved.

CONTROL PANEL



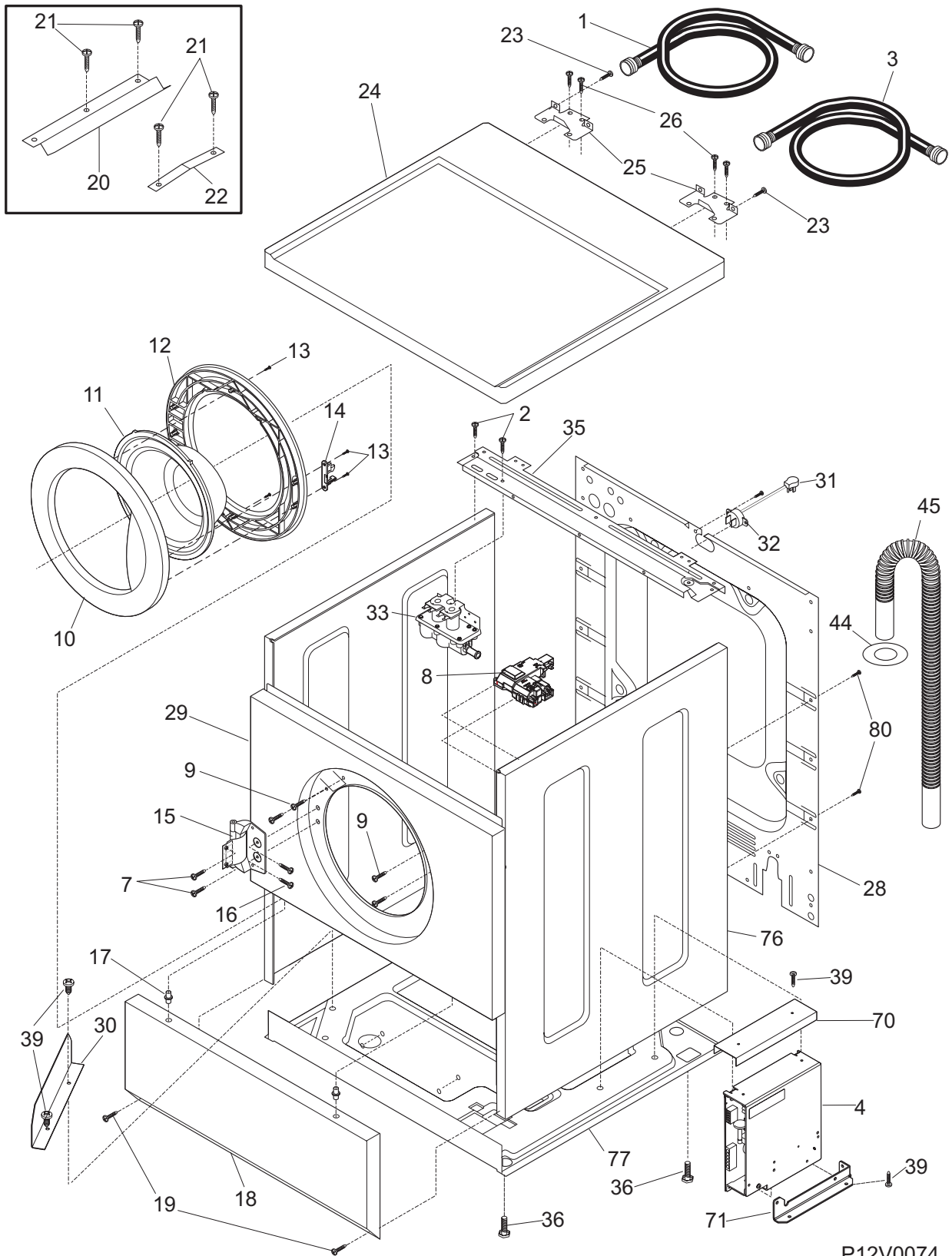
P12C0354

CONTROL PANEL

Model Index: A WE16 (WE16M4)
 B WE16 (WE16N4)

POS. NO	PART NO.		DESCRIPTION
1	131272100	A B	Cover, bleach
2	131272000	A B	Cover, softener
3	131271910	A B	Drawer, dispenser
6	131374500	A B	Latch, disp drawer hdl
7	131427500	A B	Spring
8	131373800	A B	Magnet
9	131691212	A B	Handle, disp drawer, with trim
12 #	131505901	A B	Switch, reed
13 #	131656600	A B	Switch, water temp.
16	131724700	A B	Lamp, status light
17 #	134433701	A B	Switch, pressure
18 #	134568800	A B	Timer
19	131243800	A B	Screw, pan hd locking, 8-32CA x 0.375, cup point
21	131243700	A B	Screw, pan head, 8-18AB x 0.375, cr/sq drive
24	134549100	A B	Cam, timer
26	131823400	A B	Screw, 8-18 x 2.00
27	131691030	A B	Console, frame/trim assy
29	131264500	A B	Knob, rotary, white
31	134549200	A B	Dial, timer indicator
32	131786100	A B	Hose, siphon/valve
33	131306216	A B	Clamp
36 #	131974700	A B	Valve, dispenser, w/seal
37	131271600	A B	Hose, tub
38	131803710	A B	Dispenser Assy
39	131863300	A B	Siphon
39*	131307900	A B	Clamp, siphon/bellows
41	131696601	A B	Lens, timer pointer
42	131168200	A B	Screw, pan head, 8-18B x 0.31
43	131749200	A B	Gasket, seal
44	131786000	A B	Hose, dispenser
45	5303321107	A B	Bushing, idler
46	134191412	A B	Panel, control mtg., wing bend
48	131686000	A B	Extension, switch shaft, push-to-start
50 #	131048000	A B	Switch, push-to-start
51	131970200	A B	Button, push/start, white
53	131724800	A B	Lens, status light, clear
69 #	134578500	A B	Wiring Harness, main
80	131734300	A B	Catch, drawer
81	131302800	A B	Screw, 10-16AB x 0.375

CABINET/TOP



P12V0074

CABINET/TOP

Model Index: A WE16 (WE16M4)
B WE16 (WE16N4)

POS. NO	PART NO.		DESCRIPTION
1	131279602	A B	Hose, water inlet, cold
2	131168200	A B	Screw, pan head, 8-18B x 0.31
3	131279603	A B	Hose, water inlet, hot
4 #	134149200	A B	Controller Assy, speed, w/base & shield
7	131205300	A B	Screw, 10-16 x 0.750
8 #	131763200	A B	Door Lock/Switch Assy
9	131303300	A B	Screw, pan head, 10-16AB x 0.500, locking
10	131278700	A B	Frame, outer door, white
11	131278800	A B	Panel, door glass
12	131278900	A B	Frame, inner door, white
13	131302901	A B	Screw, 10-16 x 0.750
14	131763310	A B	Striker, door/lock/sw
15	134264600	A B	Hinge, door
16	131696300	A B	Screw, quad pan head, 10-16 x 0.312
17	131346400	A B	Pin, panel locator
18	131279300	A B	Panel, service, white, kick plate
19	131358400	A B	Screw, hex washer hd, 8-18AB x 1.125
20	131460900	A B	Bracket, top panel mtg., front
21	131243700	A B	Screw, pan head, 8-18AB x 0.375, cr/sq drive
22	131279500	A B	Retainer, spring steel
23	131243800	A B	Screw, pan hd locking, 8-32CA x 0.375, cup point
24	134086852	A -	Panel, white, top, coin-op
24	134086842	- B	Panel, white, top
*	131698300	A B	Nameplate
25	131668200	A B	Bracket, top panel mtg.
26	131662200	A B	Screw, 8-18AB x 0.500, 6 lobe
28	131978500	A B	Panel, back
29	131752030	A B	Panel, cabinet front, white
30	131859600	A B	Shield, overflow
31 #	134501000	A B	Power Cord, electric svce
32	5303209428	A B	Bushing, power cord
33 #	5303207418	A B	Valve, water
35	131732902	A B	Bracket, reinforcement, top rear
36	131841600	A B	Leveling Leg Assy, bolt, pad & nut
39	134178901	A B	Screw, 8-18AB x 0.455
44	131707800	A B	Ring, drain hose
45	134049200	A B	Hose, drain
70	134048600	A B	Shield, drip protector
71	134048400	A B	Base, controller mtg
76	134390701	A B	Panel, side, white, RS/LS, (2)
77	131458240	A B	Base Plate
80	134547800	A B	Screw, 10-16AB x 0.375
*	5303937142	A B	Shipping Brace Kit

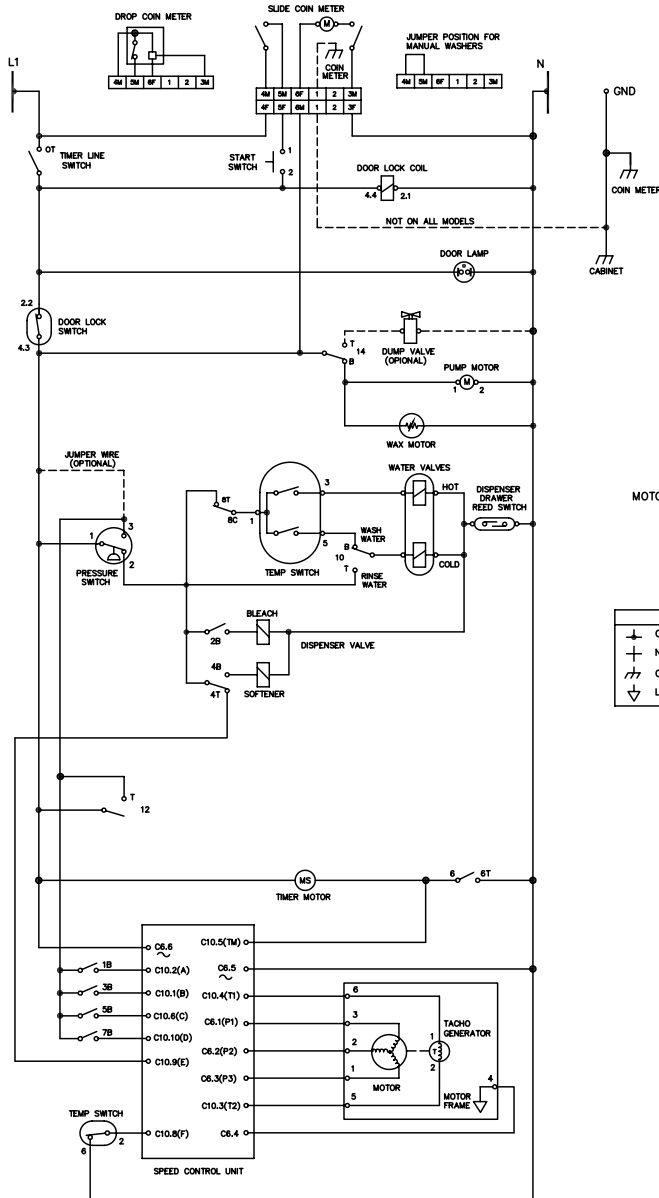
MOTOR/TUB

Model Index: A WE16 (WE16M4)
B WE16 (WE16N4)

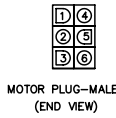
POS. NO	PART NO.		DESCRIPTION
3	131793302	A B	Bolt, carriage, 1/4-20 x 4.00
6	131975300	A B	Counterweight, one piece
7	131277300	A B	Spring, boot retainer
8	134177600	A B	Bellows, door boot
10	131304700	A B	Nut, hex, 1/4-20 UNC-2B, (2)
11	131276900	A B	Washer, Bellville, spring steel
12	131793500	A B	Plate, counterweight
13	131618600	A B	Shell, outer tub, front
14	134144700	A B	Spring Assy, suspension, w/sleeves
14*	131592200	A B	Sleeve, protector, upr spring hook
14*	131560000	A B	Sleeve, protector, lwr spring hook
15	131303900	A B	Screw, hex washer head, 1/4-10A x 2.165
16	131618500	A B	Drum Assy, spin basket
17	131274600	A B	Vane
18	131302800	A B	Screw, 10-16AB x 0.375
19 #	131770600	A B	Motor
20	131303500	A B	Screw, hex washer head, 12-14AB x 1.50, motor mtg.
21	134146100	A B	O-ring, tub
22	131462800	A B	Shell, outer tub, rear, with bearing
23	134125900	A B	Counterweight, drum rear
25 #	134051000	A B	Belt, drive, 6-rib
26 #	131883400	A B	Pulley, drum drive, large, rear
27	131304400	A B	Washer, 0.41 x 1.50, 0.12 thick
28	131304500	A B	Washer, lock, 3/8
29	131303700	A B	Screw, pulley mtg., m10 x 0.92, metric
30	131268200	A B	Shock Absorber, air, stabilizer
31	131268300	A B	Pin, shock mtg.
32	131268100	A B	Bracket, shock mtg.
33	134532200	A B	Screw, 10-16AB x 0.500
35 #	134051100	A B	Pump, drain
41	134044200	A B	Coin Trap
42	131333101	A B	Clamp
43	131277500	A B	Chamber, air
44	131277600	A B	Hose, air pressure
45	131306202	A B	Clamp, hose
48	131306234	A B	Clamp, pump to trap
49	134266500	A B	Clamp, bellows/boot, 0.059 OD wire, spring held
58	134160900	A B	Screw, quadrex, 10-16AB X 0.750

WIRING DIAGRAM

CIRCUIT	TERMINAL	WASH	RINSE	RINSE	RINSE	RINSE	SPIN & FLUFF
WASHING POWER	0 2 1						
CODE A	1 23 24						
SOLENOID 2	2 5 1						
CODE B	3 23 24						
CODE C	4 5 1						
SOLENOID 1	4 5 1						
CODE D	5 23 24						
NO DIRECT	6 11 12						
CODE E	7 23 24						
WASH WATER	8 14 1						
RINSE WATER	10 17 1						
SPIN MOTOR	12 20 1						
DUMP VALVE	14 20 1						
EVENT TIME (MINUTES)		0	1.8	3.0	2.0	1.8	2.5
INTERVAL NO.		1	5	10	15	20	25
INTERVAL TIME = 30 SECONDS							
∇ = DETENT							

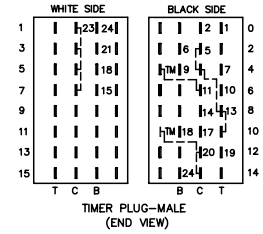
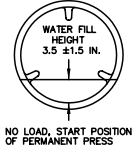


ELECTRICAL COMPONENT	RESISTANCE Ω
WATER VALVE SOLENOIDS	880 ±10%
DOOR LOCK SOLENOID	380 ±10%
TIMER MOTOR	2425 ±8%
PUMP MOTOR	15 ±7%
DISPENSER VALVE SOLENOIDS	1100 ±7%
MOTOR	
M1 TO M2	2.6 ±7%
M2 TO M3	2.6 ±7%
M1 TO M3	2.6 ±7%
M5 TO M6	184 ±7%



CIRCUIT	WASH	COLD	WARM	DELIC	HOT
1-3	X	X	X	X	X
1-5	X	X	X	X	X
2-6	X	X	X	X	X

+	CONNECTION
+	NO CONNECTION
⏏	CABINET GROUND
⏏	LOCAL GROUND



WARNING TO REDUCE THE RISK OF ELECTRICAL SHOCK DISCONNECT THIS APPLIANCE FROM THE POWER SUPPLY BEFORE ATTEMPTING ANY USER MAINTENANCE. TURNING THE CONTROLS TO THE OFF POSITION DOES NOT DISCONNECT THIS APPLIANCE FROM THE POWER SUPPLY.

WIRING DIAGRAM PART NO. 134578300

WIRING DIAGRAM

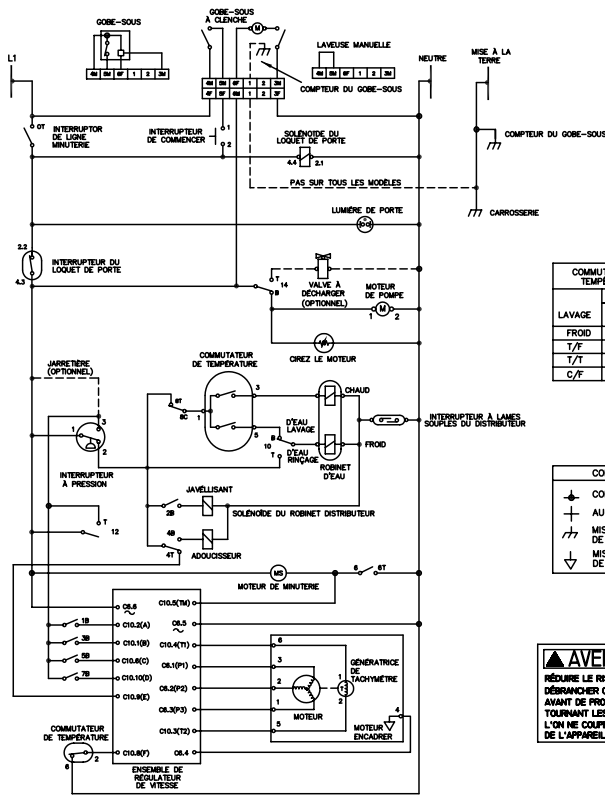


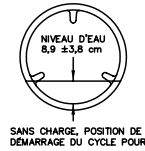
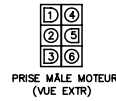
TABLEAU DE RESISTANCE DES COMPOSANTS

COMPOSANT ELECTRIQUE	RESISTANCE Ω @ (25° C)	
SOLENOÏDE DU ROBINET D'EAU	880 ±10%	
SOLENOÏDE DU LOQUET DE PORTE	380 ±10%	
MOTEUR DE MINUTERIE	2425 ±8%	
MOTEUR DE POMPE	15 ±7%	
SOLENOÏDE DU ROBINET DISTRIBUTEUR	1100 ±7%	
MOTEUR	M1 VERS M2	2.6 ±7%
	M2 VERS M3	2.6 ±7%
	M1 VERS M3	2.6 ±7%
	M5 VERS M6	184 ±7%
	M5 VERS M6	184 ±7%

COMMANDEUR DE TEMPÉRATURE

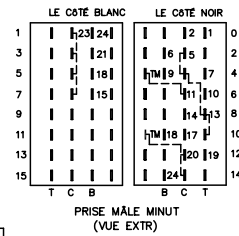
	CIRCUIT
LAVAGE	1-3 1-5 2-6
FROID	X
T/F	X X
T/T	X X X
C/F	X

X=FERMÉ



CODES DE CÂBLAGE

- ⊥ CONNEXION
- + AUCUNE CONNEXION
- ⌋ MISE À LA TERRE DE CARROSSERIE
- ⌋ MISE À LA TERRE DE LOCAL



AVERTISSEMENT POUR RÉDUIRE LE RISQUE DE CHOC ÉLECTRIQUE, DÉBRANCHER CET APPAREIL DE L'ALIMENTATION AVANT DE PROCÉDER À L'ENTRETIEN. EN TOURNANT LES COMMANDES À LA POSITION ARRÊT, L'ON NE COUPE PAS L'ALIMENTATION ÉLECTRIQUE DE L'APPAREIL.

SCHEMA DE CÂBLAGE NO. DE PIÈCE 134578300

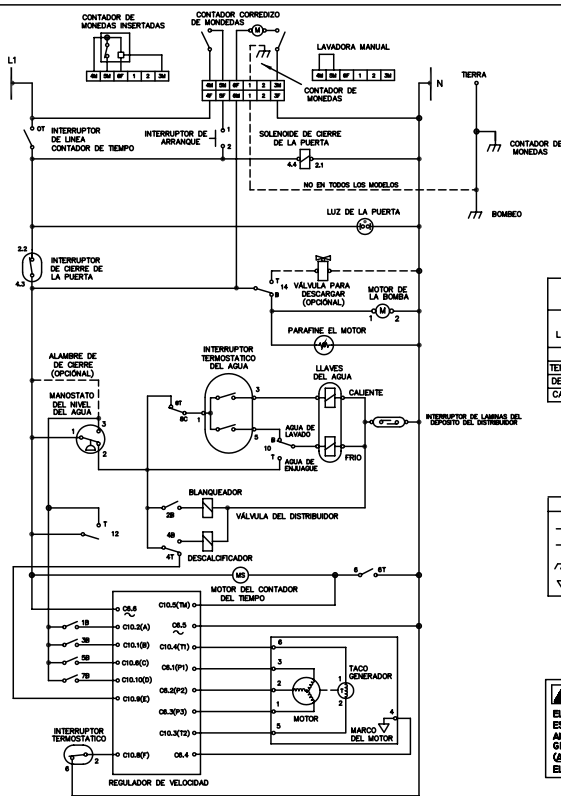


TABLA DE RESISTENCIA DE LOS COMPONENTES

COMPONENTE ELÉCTRICO	RESISTENCIA Ω @ 25° C	
SOLENOÏDE DE LA VÁLVULA DEL AGUA	880 ±10%	
SOLENOÏDE DE CIERRE DE LA PUERTA	380 ±10%	
MOTOR DE CONTADOR DE TIEMPO	2425 ±8%	
BOMBA DE MOTOR	15 ±7%	
SOLENOÏDE DE LA VÁLVULA DEL DISTRIBUIDOR	1100 ±7%	
MOTOR	M1 A M2	2.6 ±7%
	M2 A M3	2.6 ±7%
	M1 A M3	2.6 ±7%
	M5 A M6	184 ±7%
	M5 A M6	184 ±7%

INTER interruptor TERMOSTÁTICO DEL AGUA

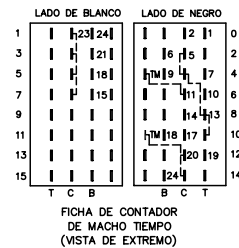
	CIRCUITO
LAVADO	1-3 1-5 2-6
FRIO	X
TEMPERADO	X X
DELICADO	X X X
CALENTE	X

X=CERRADO



CODIGOS DEL CABLEADO

- ⊥ CONNEXION
- + SIN CONNEXION
- ⌋ PUESTA A TIERRA DE CAJA
- ⌋ PUESTA A TIERRA DE LOCAL



ADVERTENCIA PARA REDUCIR EL RIESGO DE CHOQUE ELÉCTRICO, DESENCHUFE ESTE APARATO DE LA ALIMENTACIÓN ELÉCTRICA ANTES DE EFECTUAR EL MANTENIMIENTO. AL GIRAR LOS CONTROLES A LA POSICIÓN DE (APAGADO) NO SE CORTA LA ALIMENTACIÓN ELÉCTRICA AL ARTEFACTO.

DIAGRAMA DE CONEXIONES NO. DE PIÉZA 134578300