

WE55, WE55MP, WE56MP

---



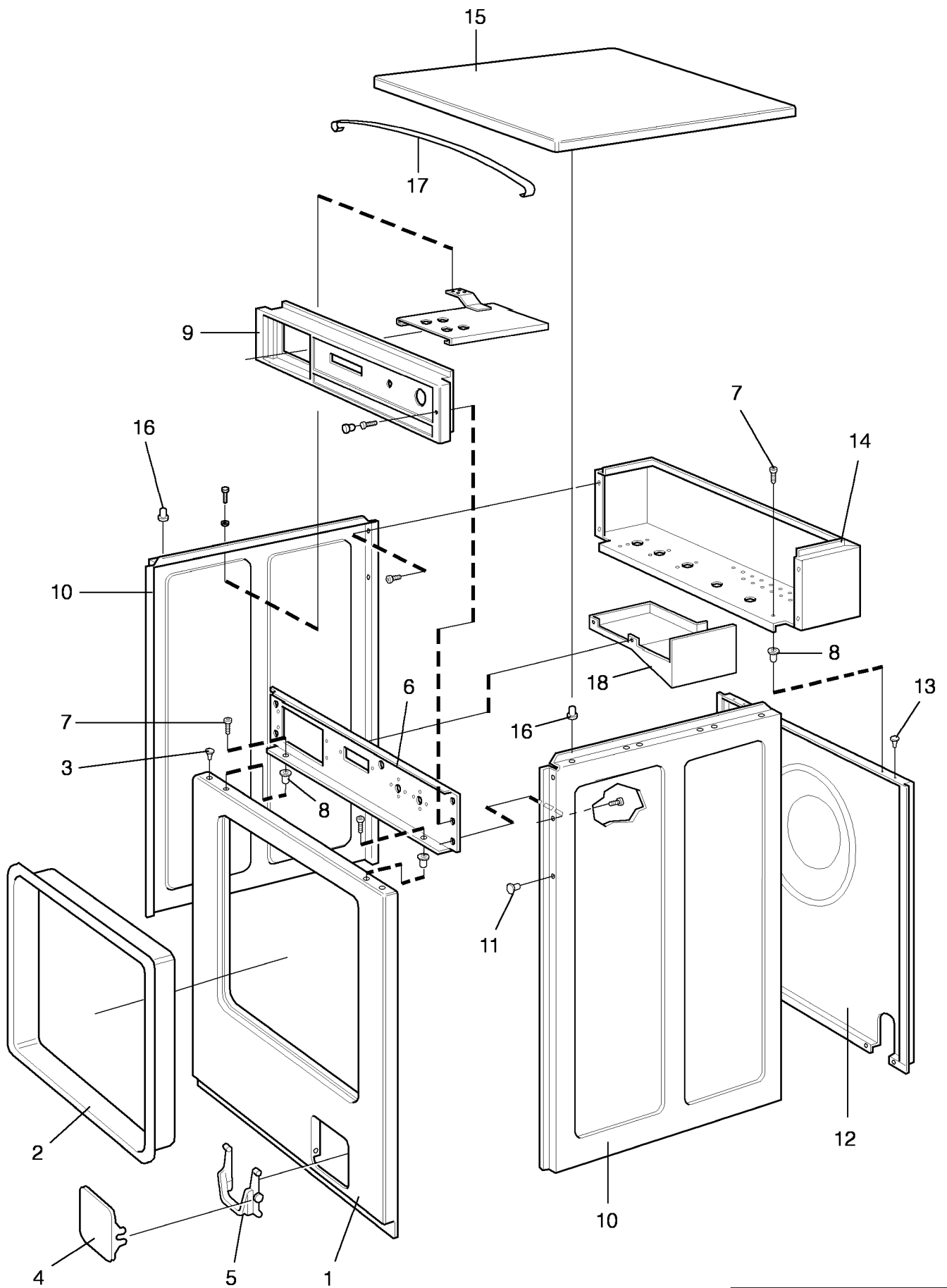
**WE55,WE55MP,HS 255,HS 255E,451E,WE56MP,452E**

Illustration	Page	Table of contents
100666	59	Electronic coin meter
100786	63	Coin meter
100797	55	Inlet valve 3/4", 3-way
100798	53	Inlet valve 3/4", 2-way
100799	51	Inlet valve 3/4", 1-way
101075	7	Panels
101076	13	Frame
101077	25	Outer and inner drum
101078	15	Door and door lock
101079	19	Control panel
101080	27	Electric components
101081	35	Hoses
101082	39	Drain valve
101083	31	Cables
101084	37	Water alternatives
101085	41	Detergent container
101091	21	Control panel
101092	29	Electric components
101093	33	Cables
101178	45	Electric drain valve
101194	43	Detergent container
101195	57	Tilt protection
101328	47	Detergent container and hoses
101488	17	Door and door lock
101499	11	Panels
101611	23	Control panel
101906	49	Electrical drain valve



## **WE55,WE55MP,HS 255,HS 255E,451E,WE56MP,452E**

Table of contents	Innehållsförteckning	Page/Sida
Panels	Plåtar	7
Panels	Plåtar	11
Frame	Stativ	13
Door and door lock	Lucka och lucklås	15
Door and door lock	Lucka och lucklås	17
Control panel	Manöverpanel	19
Control panel	Manöverpanel	21
Control panel	Manöverpanel	23
Outer and inner drum	Ytter- och innertrumma	25
Electric components	Eldetaljer	27
Electric components	Eldetaljer	29
Cables	Kablage	31
Cables	Kablage	33
Hoses	Slangar	35
Water alternatives	Vattenalternativ	37
Drain valve	Avloppsventil	39
Detergent container	Tvättmedelslåda	41
Detergent container	Tvättmedelslåda	43
Electric drain valve	El. avloppsventil	45
Detergent container and hoses	Tvättmedelslåda och slangar	47
Electrical drain valve	Elektrisk avloppsventil	49
Inlet valve 3/4", 1-way	Tilloppsventil 3/4", 1-vägs	51
Inlet valve 3/4", 2-way	Tilloppsventil 3/4", 2-vägs	53
Inlet valve 3/4", 3-way	Tilloppsventil 3/4", 3-vägs	55
Tilt protection	Tippskydd	57
Electronic coin meter	Elektronisk myntmätare	59
Coin meter	Myntmätare	63



Issue	Month	Year
03	12	01

## WE55,WE55MP,HS 255,HS 255E,451E

## Panels

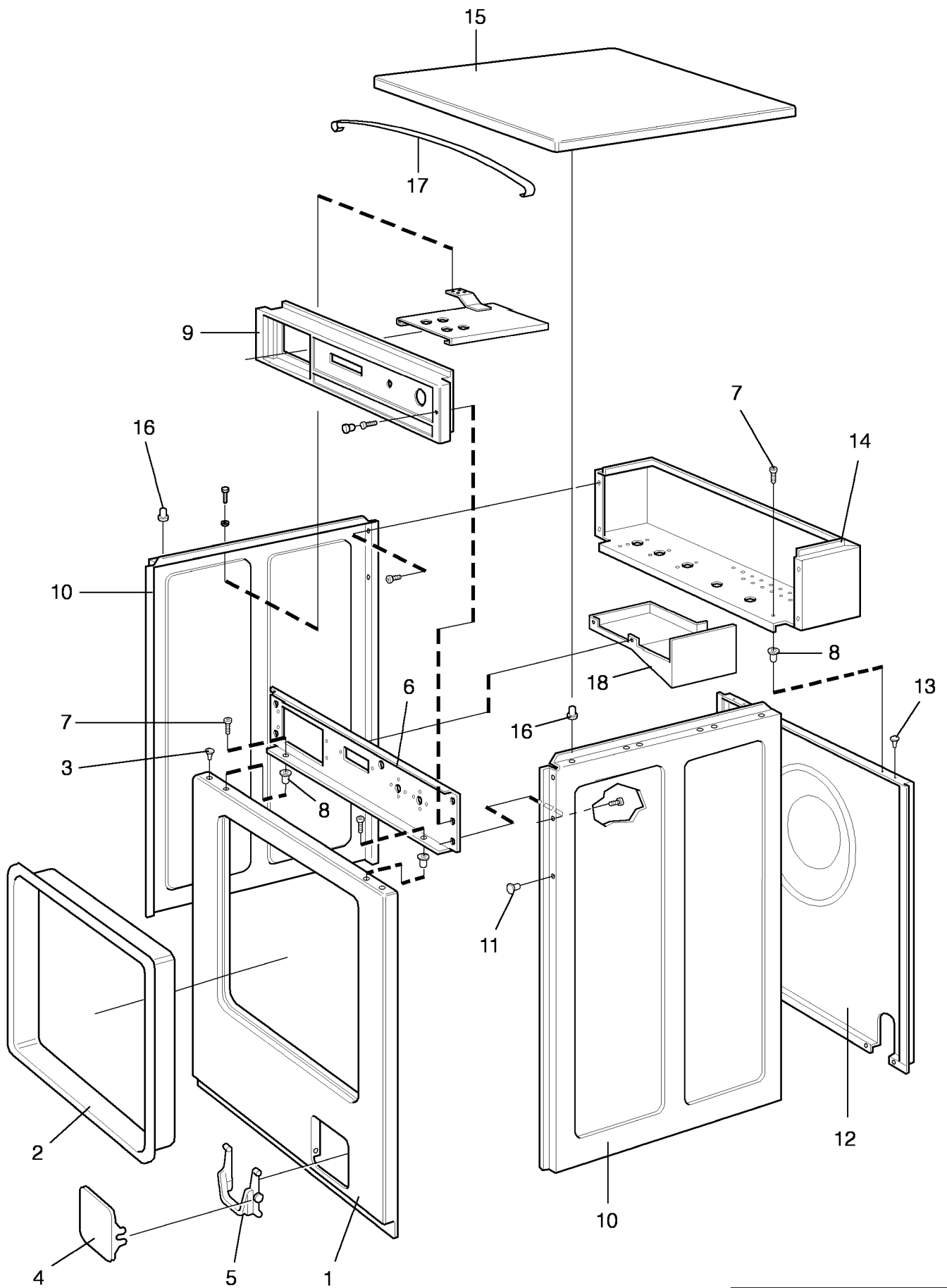
Illustration Issue Month Year

Illustration Utgåva Månad År

## Plåtar

**101075 14 12 2001**

Item Pos.	Qua Ant.	Art.No Art.nr	Description	Benämning	Info Info	Notes Anmärkning
1	1	472 9903-01	Front panel	Frontplåt	1	YELLOW GREY STRIP, COMPL.
	1	472 9903-06	Front panel	Frontplåt	1	Yellow black strip, compl.
	1	472 9903-02	Front panel	Frontplåt	1	WHITE GREY STRIP, COMPL.
	1	472 9903-07	Front panel	Frontplåt	1	WHITE BLACK STRIP Complete
	1	472 9903-03	Front panel	Frontplåt	1	RED GREY STRIP, COMPL.
	1	472 9903-08	Front panel	Frontplåt	1	RED BLACK STRIP, COMPL.
	1	472 9903-04	Front panel	Frontplåt	1	BEIGE GREY STRIP, COMPL.
	1	472 9903-09	Front panel	Frontplåt	1	BEIGE BLACK STRIP, COMPL.
	1	472 9903-83	Front panel	Frontpanel	1	Stainless, grey strip, compl.
	1	472 9903-05	Front panel	Frontplåt	1	BLUE GREY STRIP, COMPL.
	1	472 9903-10	Front panel	Frontplåt	1	BLUE BLACK STRIP, COMPL.
	1	472 9903-40	Front panel	Frontplåt	1	GREY BLACK STRIP Complete
	1	472 9903-11	Front panel	Frontplåt	1	YELLOW GREY STRIP, COMPL. Pump
	1	472 9903-16	Front panel	Frontplåt	1	Yellow black strip, compl. Pump
	1	472 9903-12	Front panel	Frontplåt	1	WHITE GREY STRIP, COMPL. Pump
	1	472 9903-17	Front panel	Frontplåt	1	PUMP,WHITE BLACK STRIP, COMPL
	1	472 9903-13	Front panel	Frontplåt	1	BEIGE GREY STRIP, COMPL. Pump
	1	472 9903-18	Front panel	Frontplåt	1	BEIGE BLACK STRIP, COMPL. Pump
	1	472 9903-14	Front panel	Frontplåt	1	RED GREY STRIP, COMPL. Pump
	1	472 9903-19	Front panel	Frontplåt	1	RED BLACK STRIP, COMPL. Pump
1	472 9903-15	Front panel	Frontplåt	1	BLUE GREY STRIP, COMPL. Pump	
1	472 9903-20	Front panel	Frontplåt	1	BLUE BLACK STRIP, COMPL. Pump	
1	472 9903-84	Front panel	Frontpanel	1	Stainless, grey strip, compl., pump	
2	1	472 9901-43	•Strip	•List	3	Grey
	1	438 5108-03	•Strip	•List	3	Grey FOR 438 5100-10
	1	472 9901-50	•Strip	•List	3	Black
3	2	471 8196-01	•Plug	•Plugg	3	
	4	1	438 5081-11	•Door	•Lucka	1
1		438 5081-12	•Door	•Lucka	1	White
1		438 5081-13	•Door	•Lucka	1	Beige
1		438 5081-14	•Door	•Lucka	1	Red
1		438 5081-15	•Door	•Lucka	1	Blue
1		438 5081-02	•Door	•Lucka	1	Stainless steel
5		438 5114-01	•Hinged joint	•Gångled	1	
6		438 5105-01	Panel plate	Panelplåt	3	
7	471 8454-07	Rivet	Nit	3		
8	438 5109-02	Guide pin	Styrpinne	3		
9	1		Panel	3	Graphite grey See illustr. 101091	
10	2	472 9901-82	Side panel	Sidoplåt	3	White Complete
	2	472 9901-83	Side panel	Sidoplåt	1	Red Complete
	2	472 9901-84	Side panel	Sidoplåt	1	Yellow Complete
	2	472 9901-85	Side panel	Sidoplåt	1	Beige Complete
1	472 9901-86	Side panel	Sidoplåt	1	Blue Complete	
11	4	471 8196-01	•Plug	•Plugg	3	



Issue	Month	Year
03	12	01



## WE55,WE55MP,HS 255,HS 255E,451E

## Panels

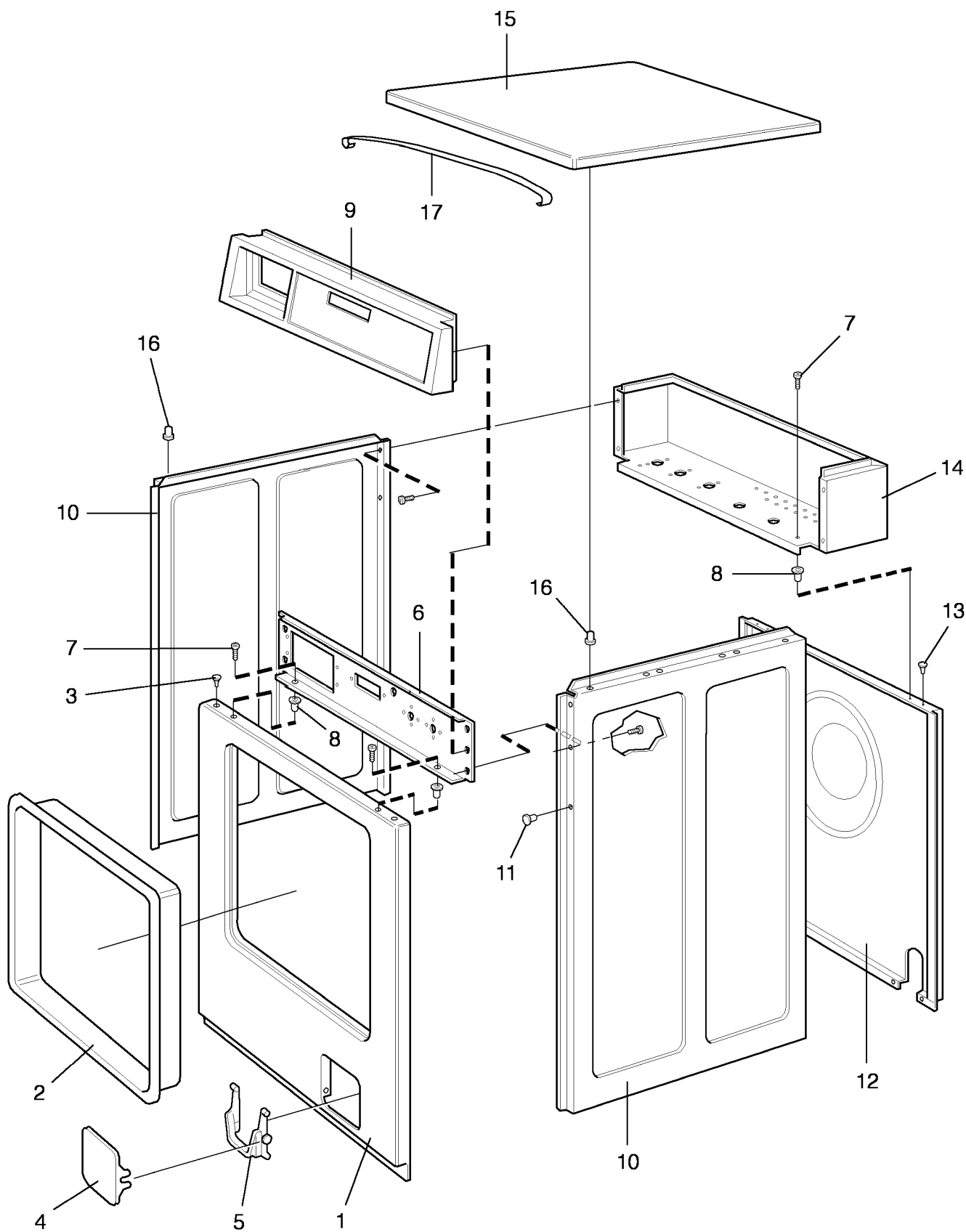
Illustration Issue Month Year

Illustration Utgåva Månad År

## Plåtar

**101075 14 12 2001**

Item Pos.	Qua Ant.	Art.No Art.nr	Description	Benämning	Info Info	Notes Anmärkning
<b>12</b>	1	<b>472 9901-87</b>	Rear panel	Bakstycke	3	Complete, white Complete
	1	<b>472 9901-88</b>	Rear panel	Bakstycke	3	Complete, red Complete
	1	<b>472 9901-89</b>	Rear panel	Bakstycke	3	Complete, yellow Complete
	1	<b>472 9901-90</b>	Rear panel	Bakstycke	3	Beige Complete
	1	<b>472 9901-91</b>	Rear panel	Bakstycke	3	Blue Complete
<b>13</b>	2	<b>471 8196-01</b>	•Plug	•Plugg	3	
<b>14</b>	1	<b>438 5163-01</b>	Brace bracket	Stagplåt	3	White
	1	<b>438 5163-02</b>	Brace bracket	Stagplåt	3	Red
	1	<b>438 5163-03</b>	Brace bracket	Stagplåt	3	Yellow
	1	<b>438 5163-04</b>	Brace bracket	Stagplåt	3	Beige
	1	<b>438 5163-05</b>	Brace bracket	Stagplåt	3	Blue
<b>15</b>	1	<b>438 5112-01</b>	Top panel	Topplack	3	Stainless steel
<b>16</b>	4	<b>472 9904-80</b>	Bracket	Hållare	3	
<b>17</b>	2	<b>438 5151-01</b>	Spring clip	Fjäderblad	3	
<b>18</b>	1	<b>438 5111-01</b>	Cover	Skydd	3	



Issue	Month	Year
03	12	01

## WE56MP,452E

## Panels

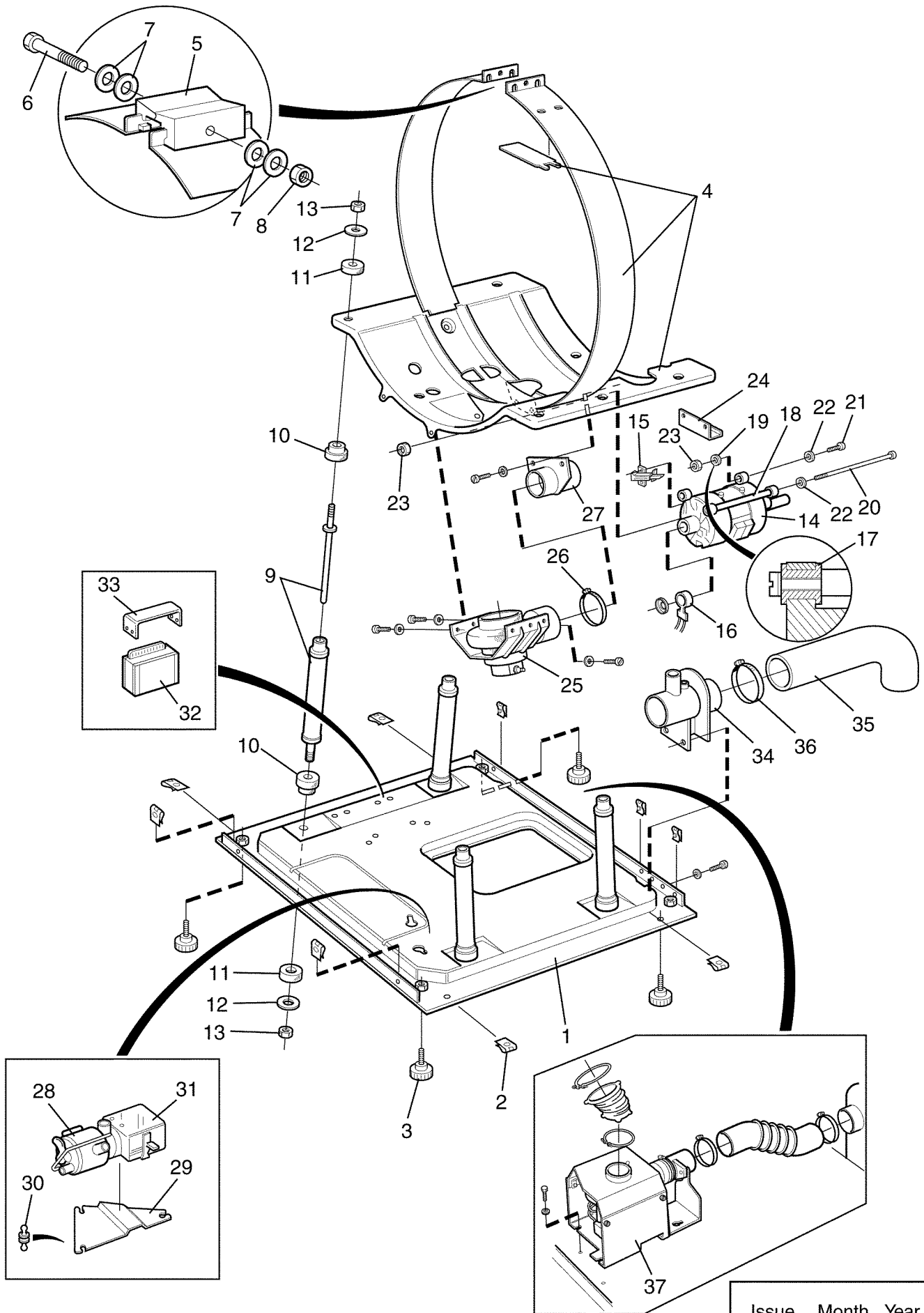
Illustration Issue Month Year

Illustration Utgåva Månad År

## Plåtar

**101499/3 5 12 2001**

Item Pos.	Qua Ant.	Art.No Art.nr	Description	Benämning	Info Info	Notes Anmärkning	
1	1	472 9904-12	Front panel	Frontplåt	1	Complete, yellow	
	1	472 9904-13	Front panel	Frontplåt	1	Complete, white	
	1	472 9904-14	Front panel	Frontplåt	1	WHITE BLACK STRIP	
	1	472 9904-15	Front panel	Frontplåt	1	Complete, red	
	1	472 9904-16	Front panel	Frontplåt	1	RED BLACK STRIP, COMPL.	
	1	472 9904-17	Front panel	Frontplåt	1	Complete, beige	
	1	472 9904-18	Front panel	Frontplåt	1	Complete, stainless steel	
	1	472 9904-19	Front panel	Frontplåt	1	Complete, blue	
	1	472 9904-20	Front panel	Frontplåt	1	Complete, yellow, pump	
	1	472 9904-21	Front panel	Frontplåt	1	Complete, white, pump Pump	
	1	472 9904-22	Front panel	Frontplåt	1	Complete, white Pump	
	1	472 9904-23	Front panel	Frontplåt	1	PUMP,WHITE BLACK STRIP, COMPL	
	1	472 9904-24	Front panel	Frontplåt	1	Complete, red, pump Pump	
	1	472 9904-25	Front panel	Frontplåt	1	Complete, red Pump	
	1	472 9904-26	Front panel	Frontplåt	1	RED BLACK STRIP, COMPL. Pump	
	2	1	472 9904-27	Front panel	Frontplåt	1	Complete, blue Pump
		1	472 9904-28	•Strip	•List	3	Grey
3	1	472 9904-29	•Side panel	•Sidoplåt	3	Complete, white	
	2	471 8196-01	•Plug	•Plugg	3		
4	1	438 5081-11	•Door	•Lucka	1	Yellow	
	1	438 5081-12	•Door	•Lucka	1	White	
	1	438 5081-13	•Door	•Lucka	1	Beige	
	1	438 5081-14	•Door	•Lucka	1	Red	
	1	438 5081-02	•Door	•Lucka	1	Stainless steel	
5	1	438 5081-15	•Door	•Lucka	1	Blue	
	1	438 5114-01	•Hinged joint	•Gångled	1		
6	1	438 5084-01	Panel plate	Panelplåt	3		
7	4	471 8454-07	Rivet	Nit	3		
8	4	438 5109-02	Guide pin	Styrpinne	3		
9	1	438 5083-10	Panel	Panel	3	Black	
	1	438 5083-11	Panel	Panel	3	Grey	
10	2	472 9904-30	Side panel	Sidoplåt	3	Complete, red	
	2	472 9904-31	Side panel	Sidoplåt	3	Complete, yellow	
	2	472 9904-32	Side panel	Sidoplåt	3	Complete, beige	
	2	472 9904-33	Side panel	Sidoplåt	3	Complete, blue	
	2	472 9904-29	Side panel	Sidoplåt	3	Complete, white	
11	4	471 8196-01	Plug	Plugg	3		
12	1	472 9901-87	Rear panel	Bakstycke	3	Complete, white	
	1	472 9901-88	Rear panel	Bakstycke	3	Complete, red	
	1	472 9901-89	Rear panel	Bakstycke	3	Complete, yellow	
13	2	471 8196-01	Plug	Plugg	3		
	1	438 5163-01	Brace bracket	Stagplåt	3	White	
14	1	438 5163-02	Brace bracket	Stagplåt	3	Red	
	1	438 5163-03	Brace bracket	Stagplåt	3	Yellow	
	1	438 5163-04	Brace bracket	Stagplåt	3	Beige	
	1	438 5163-05	Brace bracket	Stagplåt	3	Blue	
	1	438 5088-02	Top panel	Topplöck	3		
15	1	438 5088-02	Top panel	Topplöck	3		
16	2	472 9904-80	Bracket	Hållare	3		
17	2	438 5151-01	Spring clip	Fjäderblad	3		



Issue	Month	Year
04	04	94

## WE55,WE55MP,WE56MP,HS 255,HS 255E,451E,452E

## Frame

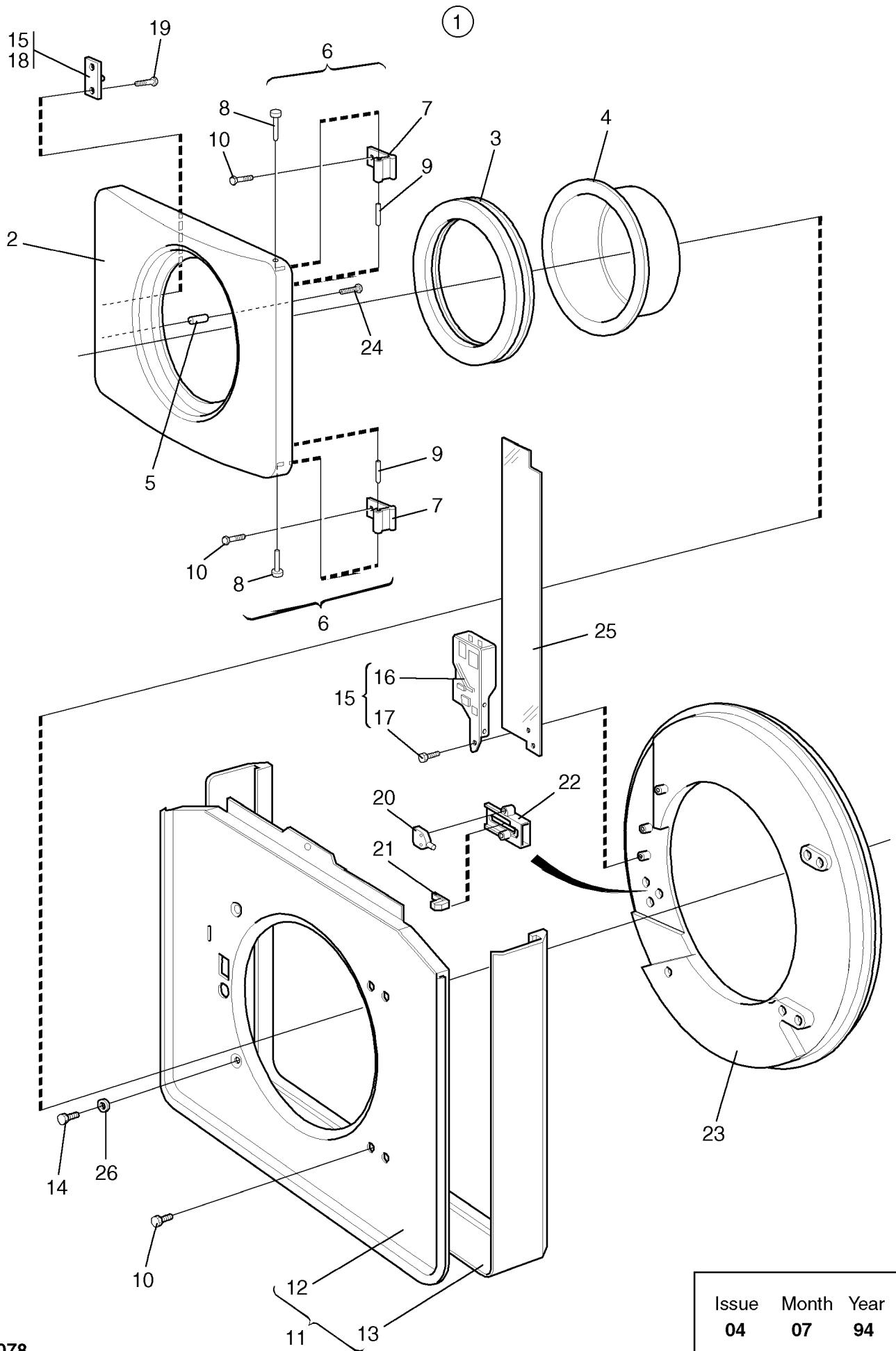
Illustration Issue Month Year

Illustration Utgåva Månad År

## Stativ

**101076 18 10 2002**

Item Pos.	Qua Ant.	Art.No Art.nr	Description	Benämning	Info Info	Notes Anmärkning
1	1	472 9901-81	Bottom plate	Bottenplatta	3	Incl. insulation
	1	438 5143-01	•Bottom plate	•Bottenplatta	3	
	1	438 5143-03	Bottom plate	Bottenplatta	3	El. drain valve
2	RQ	471 7864-02	Clip	Clips	3	M5
3	4	471 8194-01	Foot	Fot	1	
4	1	472 9901-26	Frame	Ram	3	Complete
5	2	438 0027-01	Tensioner	Spänne	3	
6	1	725 2463-71	Screw	Skruv	3	M6S 8X60
7	4	471 7807-02	Tension plate	Spännbricka	3	18x8,4x2
8	1	732 2118-01	Locking nut	Låsmutter	3	M8
9	1	472 9901-25	Spring strut	Fjäderben	1,2	Set of 4
10	8	471 8149-11	•Rubber buffer	•Gummibuffert	1	
11	8	471 8149-01	•Rubber buffer	•Gummibuffert	1	
12	12	471 8502-25	•Washer	•Bricka	3	
13	8	732 2120-01	Locking nut	Låsmutter	3	M10
* 14	1	472 9903-57	Motor	Motor	1,2	WE 55, -93/785
	1	472 9904-74	Motor	Motor	1,2	WE 55, 93/786-
*	1	472 9904-74	Motor	Motor	1,2	WE 55MP -99/32356
	1	472 9904-48	Motor	Motor	1,2	WE55MP, WE56MP 99/32357-
15	2	471 9740-51	•Brush kit	•Kolborstsats	1,2	Motor AEG
16	1	471 9740-52	Sensor	Sensor	1	MOTOR 4719740-01
	1	471 9740-53	Sensor	Sensor	1	Motor 471974011
17	3	438 5123-01	Bushing	Bussning	3	
18	1	438 5124-01	Spacer tube	Distansrör	3	L=187,5
19	1	438 5124-02	Spacer tube	Distansrör	3	L=22,5
20	1	471 8356-01	Screw	Skruv	3	M8X220
21	1	725 2461-51	Screw	Skruv	3	M8X50
22	6	471 8502-14	Washer	Bricka	3	BRB 8,4X17
23	2	732 2118-01	Locking nut	Låsmutter	3	M8
24	1	438 5146-01	Cover	Skydd	3	
25	1	438 0093-02	Drain valve	Avloppsventil	1,2	See illustr. 101082
26	1	736 2840-51	Hose clamp	Slangklämma	3	Ø50-63
27	1	438 5020-01	Distance piece	Mellanstycke	3	
28	1	471 8269-01	Pump	Pump	1,2	
29	1	438 5175-01	Bracket	Hållare	3	
30	3	438 5197-01	Rubber buffer	Gummibuffert	3	
31	1	438 5174-01	Cover	Skydd	3	
32	1	438 5478-03	Transformer	Transformator	1,2	100-120-200V/230V
	1	438 5478-11	Transformer	Transformator	1,2	380-400-440-480V/230V
33						Not used
34	1	438 5021-01	Connection	Anslutning	3	
35	1	438 5040-01	Drain hose	Avloppsslang	3	
36	1	736 2840-51	Hose clamp	Slangklämma	3	Ø50-63
37	1		Drain valve	Avloppsventil		See illustr. 101178



Issue	Month	Year
04	07	94

## WE55 -98/21604,WE55MP -98/21604,HS 255,HS 255E,451E

## Door and door lock

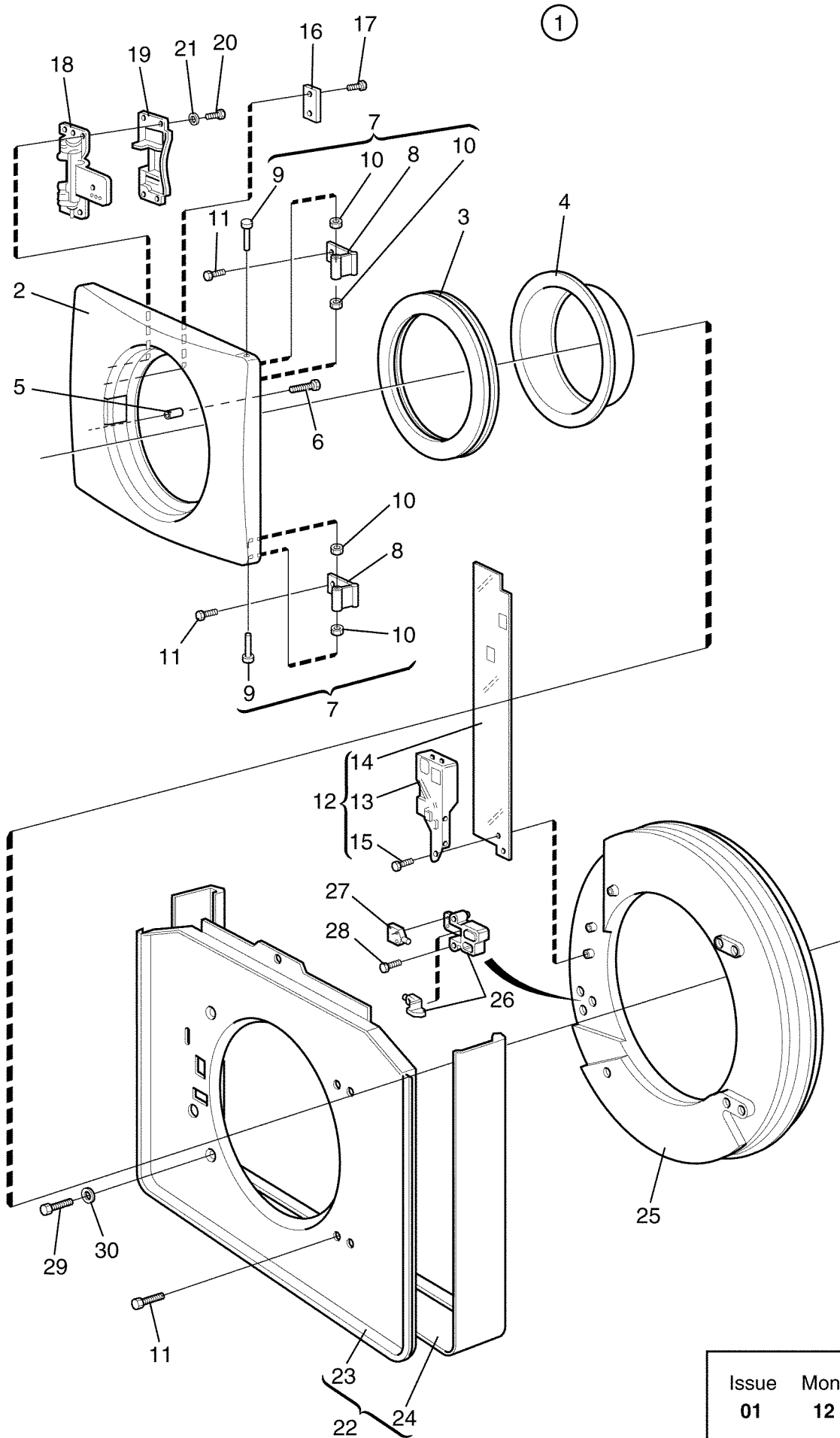
Illustration Issue Month Year

Illustration Utgåva Månad År

## Lucka och lucklås

101078 10 8 2002

Item Pos.	Qua Ant.	Art.No Art.nr	Description	Benämning	Info Info	Notes Anmärkning
1	1	472 9901-28	Door	Lucka	1	Complete
2	1	438 5054-01	•Door	•Lucka	3	
3	1	438 5052-01	•Gasket	•Packning	1,2	
4	1	438 5055-01	•Glass	•Glas	1,2	
	1	438 5055-02	•Glass	•Glas	1,2	BLÄSTRAT GLAS,BOTKYRKA
5	1	438 5063-01	•Pin	•Tapp	3	
6	2	472 9901-29	•Hinged joint	•Gångled	1,2	Complete
7	2	438 5053-01	••Hinged joint	••Gångled	1	
8	2	472 8762-01	••Shaft	••Axel	1	
9	2	438 4062-01	••Bushing	••Bussning	1	
10	4	471 8311-01	••Screw	••Skruv	3	M5X16
11	1	472 9901-80	Trim panel	Dekorplåt	3	Complete
	1	472 9901-79	Trim panel	Dekorplåt	3	COMPL. WITH INSULATION
12	1	438 5051-10	Trim panel	Dekorplåt	3	Stainless steel
	1	438 5051-01	•Trim panel	•Dekorplåt	3	
* 13	1	438 5042-11	•Rubber strip	•Gummilist	3	
14	3	471 8344-24	Screw	Skruv	3	M5X12
15	1	472 9901-77	Door locking device	Lucklås	1,2	Complete Complete
16	1	471 7835-01	•Door locking device	•Lucklås	1,2	
17	2	725 6297-01	•Screw	•Skruv	3	
18	1	472 9901-37	•Lock catch	•Låshake	1,2	
19	2	471 8326-01	•Screw	•Skruv	3	4X12
20	1	471 9654-03	Microswitch	Microbrytare	1,2	
21	1	438 5057-01	Slide	Slid	1	
22	1	438 5056-01	Bracket	Hållare	3	
23	1	438 5060-01	Balance weight	Balansvikt	3	
24	1	725 5337-01	Screw	Skruv	3	MC6S 5X35
25	1	438 5062-01	Cover	Skydd	3	
26	RQ	735 2146-01	Washer	Bricka	3	M5



101488

Issue	Month	Year
01	12	97



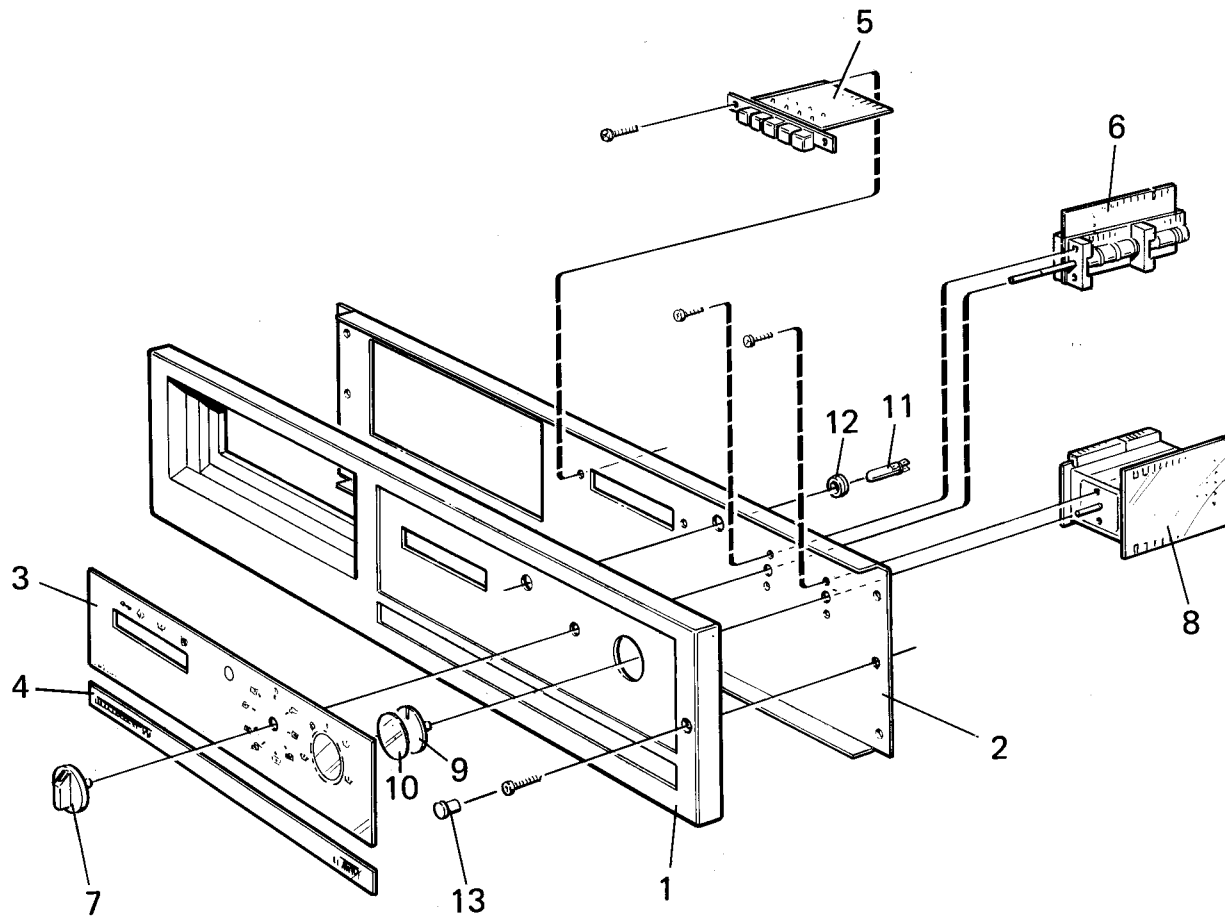
**WE55 98/21605-,WE55MP 98/21605-,WE56MP 98/21605-,HS 255,HS 255E,451E,452E****Door and door lock**

Illustration Issue Month Year

Illustration Utgåva Månad År

**Lucka och lucklås****101488****3****8****2002**

Item Pos.	Qua Ant.	Art.No Art.nr	Description	Benämning	Info Info	Notes Anmärkning
1	1	438 5067-03	Door	Lucka	1	Complete
	1	438 5067-04	Door	Lucka	1	COMPL. BLÄSTRAT GLAS
2	1	438 5054-02	•Door	•Lucka	3	
3	1	438 5052-01	•Gasket	•Packning	1,2	
4	1	438 5055-01	•Glass	•Glas	1,2	
	1	438 5055-02	•Glass	•Glas	1,2	BLÄSTRAT
5	1	438 5077-01	•Pin	•Tapp	3	
6	1	471 8327-02	•Screw	•Skruv	3	M5X20
7	2	472 9901-29	•Hinged joint	•Gångled	1,2	Complete
8	2	438 5053-01	••Hinged joint	••Gångled	1	
9	2	472 8762-01	••Shaft	••Axel	1	
10	4	472 8720-01	••Bushing	••Bussning	1	
11	4	471 8311-01	••Screw	••Skruv	3	M5X16
12	1	472 9901-77	Door locking device	Lucklås	1,2	Complete
13	1	471 7835-01	•Door locking device	•Lucklås	1,2	
14	1	438 5062-01	•Cover	•Skydd	3	
15	3	725 6297-01	•Screw	•Skruv	3	
16	1	472 9901-37	•Lock catch	•Låshake	1,2	
17	2	471 8326-01	••Screw	••Skruv	3	4X12
18	1	438 5075-01	Handle	Handtag	1	
19	1	438 5078-01	Cover	Skydd	3	
20	3	471 8344-24	Screw	Skruv	3	M5X12
21	3	734 1146-09	Washer	Bricka	3	BRB 5,3X10
22	1	472 9903-95	Trim panel	Dekorplåt	3	Complete
	1	472 9903-96	Trim panel	Dekorplåt	3	COMPL. WITH INSULATION
23	1	438 5051-51	Trim panel	Dekorplåt	3	
* 24	1	438 5042-11	Rubber strip	Gummiist	3	
25	1	438 5060-01	Balance weight	Balansvikt	1	Complete
26	1	438 5076-01	Bracket	Hållare	3	
27	1	471 9654-03	Microswitch	Microbrytare	1,2	
28	2	471 8341-15	Screw	Skruv	3	MRT 4X16
29	3	471 8344-24	Screw	Skruv	3	M5X12
30	RQ	735 2146-01	Washer	Bricka	3	M5



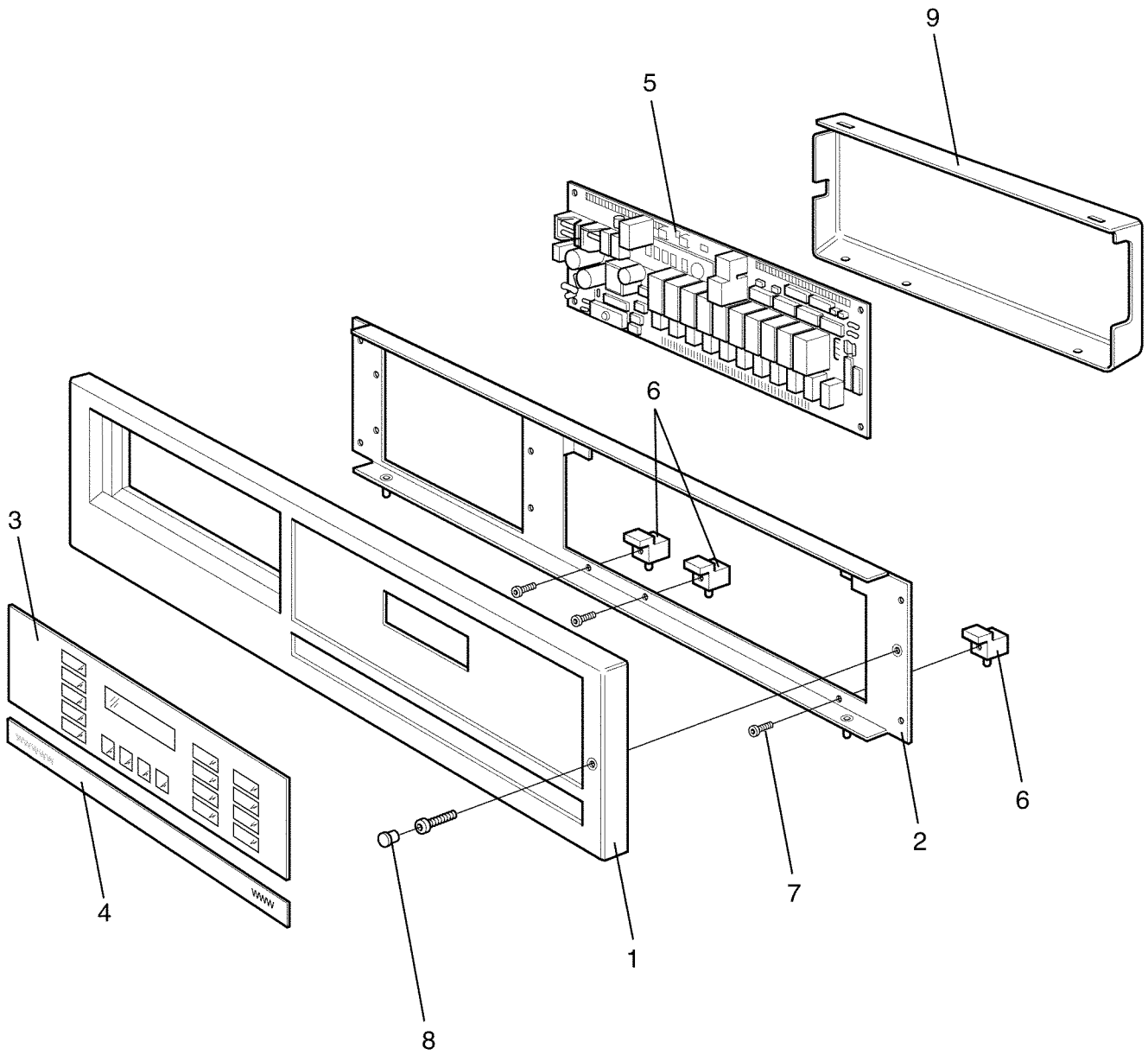
101079

Issue	Month	Year
02	06	93

**WE55,HS 255****Control panel****Manöverpanel**

Illustration	Issue	Month	Year
Illustration	Utgåva	Månad	År
<b>101079</b>	<b>8</b>	<b>9</b>	<b>1997</b>

Item Pos.	Qua Ant.	Art.No Art.nr	Description	Benämning	Info Info	Notes Anmärkning
<b>1</b>	1	<b>438 5104-01</b>	Panel	Panel	3	Graphite grey -94/3927
	1	<b>438 5104-02</b>	Panel	Panel	3	STEEL GREY -94/3927
	1	<b>438 5186-01</b>	Panel	Panel	3	Graphite grey 94/3928-
<b>2</b>	1	<b>438 5186-02</b>	Panel	Panel	3	STEEL GREY 94/3928-
	1	<b>438 5105-01</b>	Panel plate	Panelplåt	3	-94/3927
	1	<b>438 5073-01</b>	Panel plate	Panelplåt	3	94/3928-
<b>3</b>	1	<b>438 2920-01</b>	Panel sign	Panelskylt	3	P11,P61
	1	<b>438 2920-03</b>	Panel sign	Panelskylt	3	P01,P21,P31,P51
	1	<b>438 2921-01</b>	Panel sign	Panelskylt	3	P41,SCHWEIZ
	1	<b>438 2922-02</b>	Panel sign	Panelskylt	3	P02,FRANCE
<b>4</b>	1	<b>438 2922-01</b>	Panel sign	Panelskylt	3	P02,ENGLAND
	1	<b>438 2810-01</b>	Type plate	Typskylt	3	WE 55
	1	<b>438 2810-05</b>	Type plate	Typskylt	3	451
	1	<b>438 2810-03</b>	Type plate	Typskylt	3	HS 255
	1	<b>438 2810-07</b>	Type plate	Typskylt	3	LC 6
<b>5</b>	1	<b>438 2810-08</b>	Type plate	Typskylt	3	HS 255 MARYNEN
	1	<b>438 2810-09</b>	Type plate	Typskylt	3	HS 255 LINCOLN
	1	<b>471 9656-01</b>	Pushbutton pad	Tryckknappssats	1,2	2-BUTTONS
<b>6</b>	1	<b>471 9656-02</b>	Pushbutton pad	Tryckknappssats	1,2	4-BUTTONS
	1	<b>471 9656-03</b>	Pushbutton pad	Tryckknappssats	1,2	5-BUTTONS
	1	<b>471 9657-01</b>	Rotary switch	Vridomkopplare	1,2	PX1
<b>7</b>	1	<b>471 9657-02</b>	Rotary switch	Vridomkopplare	1,2	PX2
	1	<b>438 0076-01</b>	Knob	Vred	1	Nyborg Complete
<b>8</b>	1	<b>471 8986-01</b>	Program mechanism	Programverk	1,2	-94/3928
	1	<b>471 8986-02</b>	Program mechanism	Programverk	1,2	94/3929-
<b>9</b>	1	<b>472 6082-01</b>	Pointer	Visare	3	
<b>10</b>	1	<b>438 0040-01</b>	Safety glass	Skyddsglas	3	
<b>11</b>	1	<b>471 9652-02</b>	Pilot lamp	Signallampa	1,2	230V
<b>12</b>	1	<b>471 8164-00</b>	Grommet	Genomföring	3	D7
<b>13</b>	1	<b>438 5138-01</b>	Cover	Lock	1	Black
	1	<b>438 5138-02</b>	Cover	Lock	1	Grey



101091

Issue	Month	Year
01	04	93

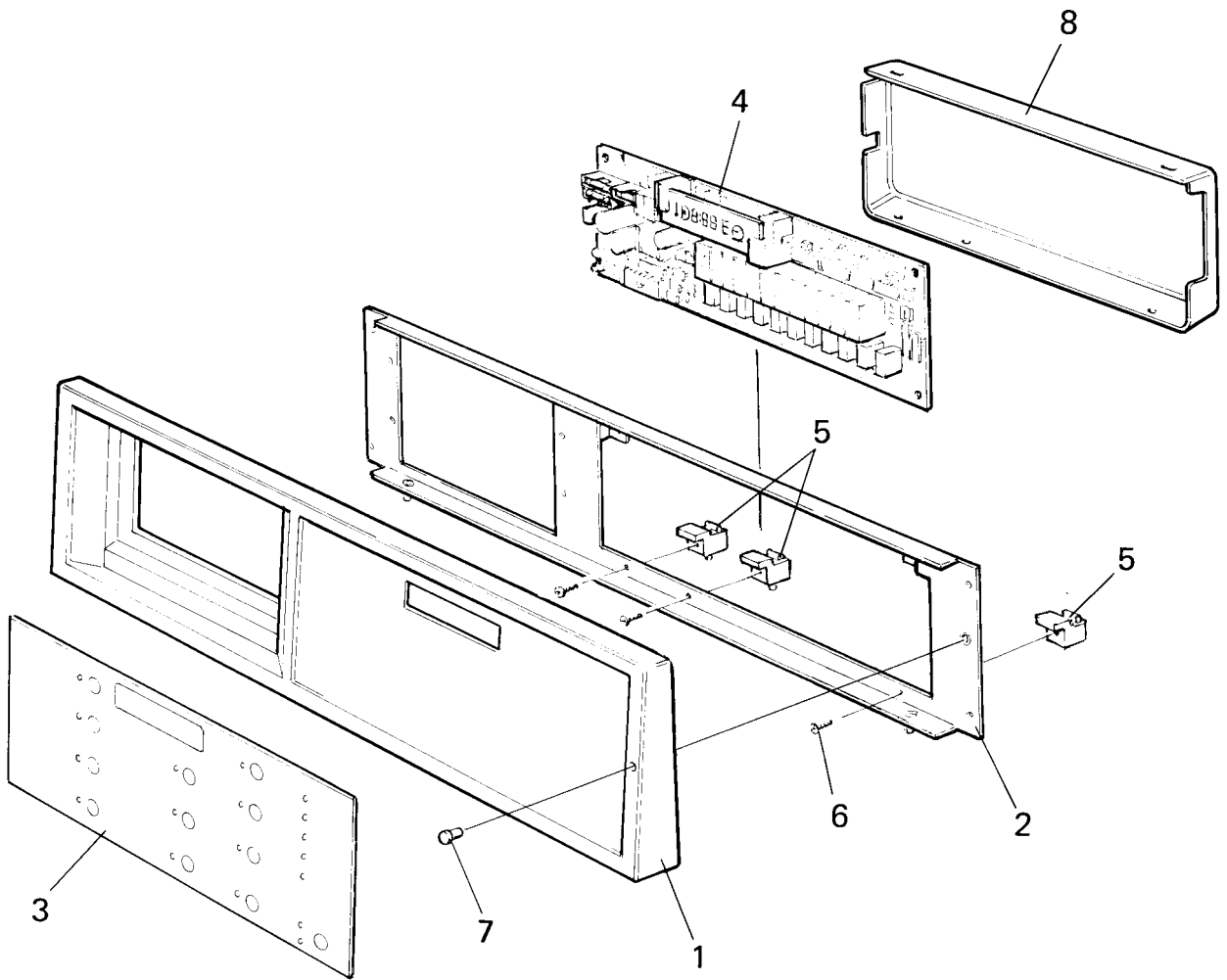
**WE55MP,HS 255E,451E****Control panel**

Illustration Issue Month Year

Illustration Utgåva Månad År

**Manöverpanel****101091 14 3 2001**

Item Pos.	Qua Ant.	Art.No Art.nr	Description	Benämning	Info Info	Notes Anmärkning
<b>1</b>	1	<b>438 5104-01</b>	Panel	Panel	3	Graphite grey -94/3927
	1	<b>438 5104-02</b>	Panel	Panel	3	STEEL GREY -94/3927
	1	<b>438 5186-01</b>	Panel	Panel	3	Graphite grey 94/3928-
	1	<b>438 5186-02</b>	Panel	Panel	3	STEEL GREY 94/3928-
<b>2</b>	1	<b>438 5152-01</b>	Panel plate	Panelplåt	3	-94/3927
	1	<b>438 5074-01</b>	Panel plate	Panelplåt	3	94/3928-
<b>3</b>	1	<b>472 5759-01</b>	Panel sign	Pannelskylt	1	PE01,PE41, WASCATOR
	1	<b>472 5758-07</b>	Panel sign	Pannelskylt	1	PE08,JAPAN
	1	<b>472 5759-02</b>	Panel sign	Pannelskylt	1	HE01,HE21
	1	<b>472 5758-05</b>	Panel sign	Pannelskylt	1	PE03, USA
	1	<b>472 5758-06</b>	Panel sign	Pannelskylt	1	MCDONALD
	1	<b>472 5758-02</b>	Panel sign	Pannelskylt	1	PE31 -94/3927
	1	<b>472 5758-01</b>	Panel sign	Pannelskylt	1	PE11,PE61,PE01 -94/3927
	1	<b>472 5758-03</b>	Panel sign	Pannelskylt	1	PE11,PE21,PE31 94/3928-
	1	<b>472 5760-01</b>	Panel sign	Pannelskylt	1	WE 55MP CAMPING
	<b>4</b>	1	<b>438 2810-02</b>	Type plate	Typskylt	3
1		<b>438 2810-06</b>	Type plate	Typskylt	3	451E
1		<b>438 2810-04</b>	Type plate	Typskylt	3	HS 255E
1		<b>438 2810-20</b>	Type plate	Typskylt	3	WE 61
1		<b>438 2810-21</b>	Type plate	Typskylt	3	WE 61MP
1		<b>438 2810-10</b>	Type plate	Typskylt	3	WE 55MP CAMPING
1		<b>438 2810-11</b>	Type plate	Typskylt	3	WASCATOR, WASHMASTER
1		<b>438 2810-12</b>	Type plate	Typskylt	3	NYBORG, EUROMASTER
<b>5</b>	1	<b>438 2810-13</b>	Type plate	Typskylt	3	NYBORG,LAR 6
	1	<b>438 2810-14</b>	Type plate	Typskylt	3	DUBIX,FAS 55WE
<b>6</b>	1	<b>471 8988-02</b>	Printed circuit board	Kretskort	1,2	
<b>7</b>	3	<b>438 5154-01</b>	Bracket	Hållare	3	
<b>8</b>	3	<b>471 8340-26</b>	Screw	Skruv	3	4,2x25
<b>9</b>	1	<b>438 5138-01</b>	Cover	Lock	3	Black
	1	<b>438 5138-02</b>	Cover	Lock	3	Grey NYBORG,OSBY
<b>9</b>	1	<b>438 5155-01</b>	Heat shield	Värmesköld	3	



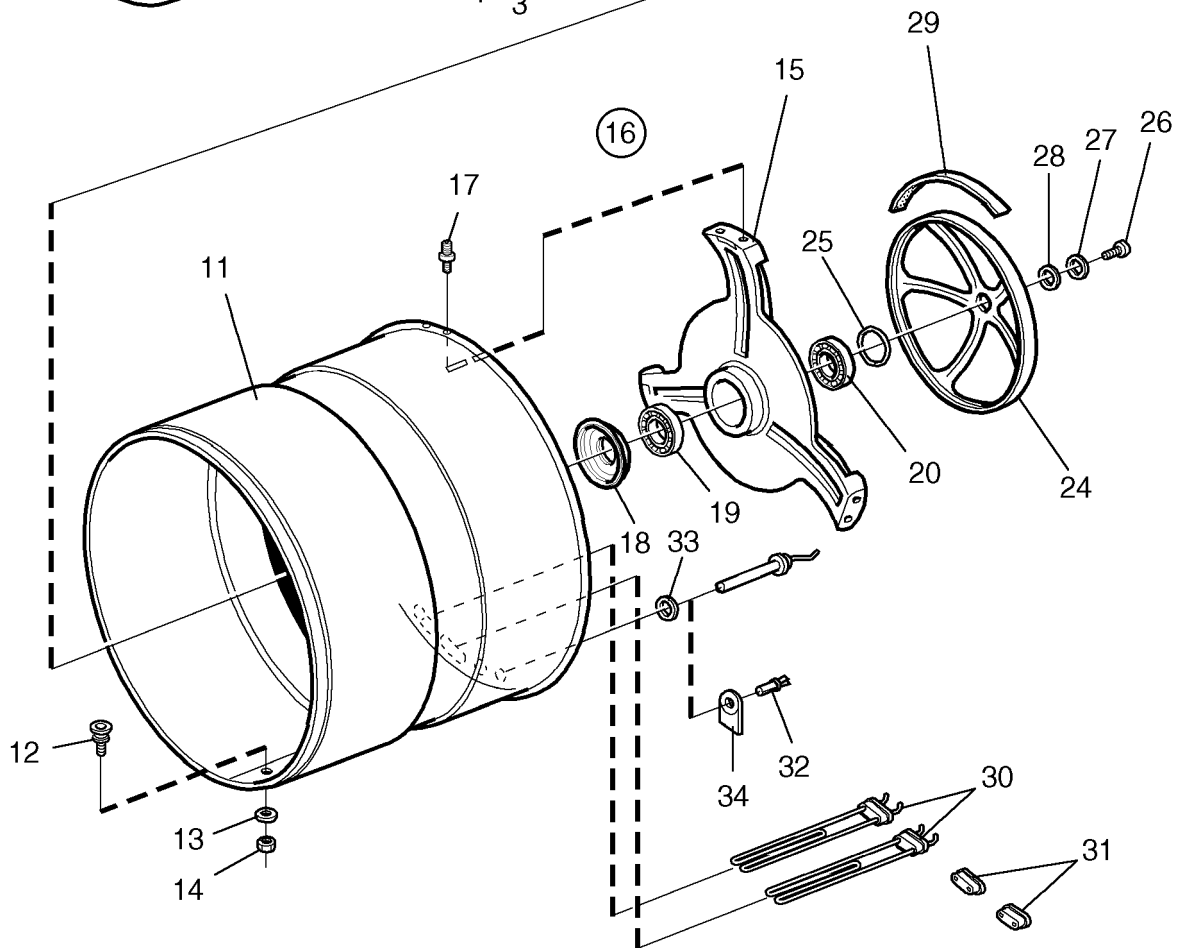
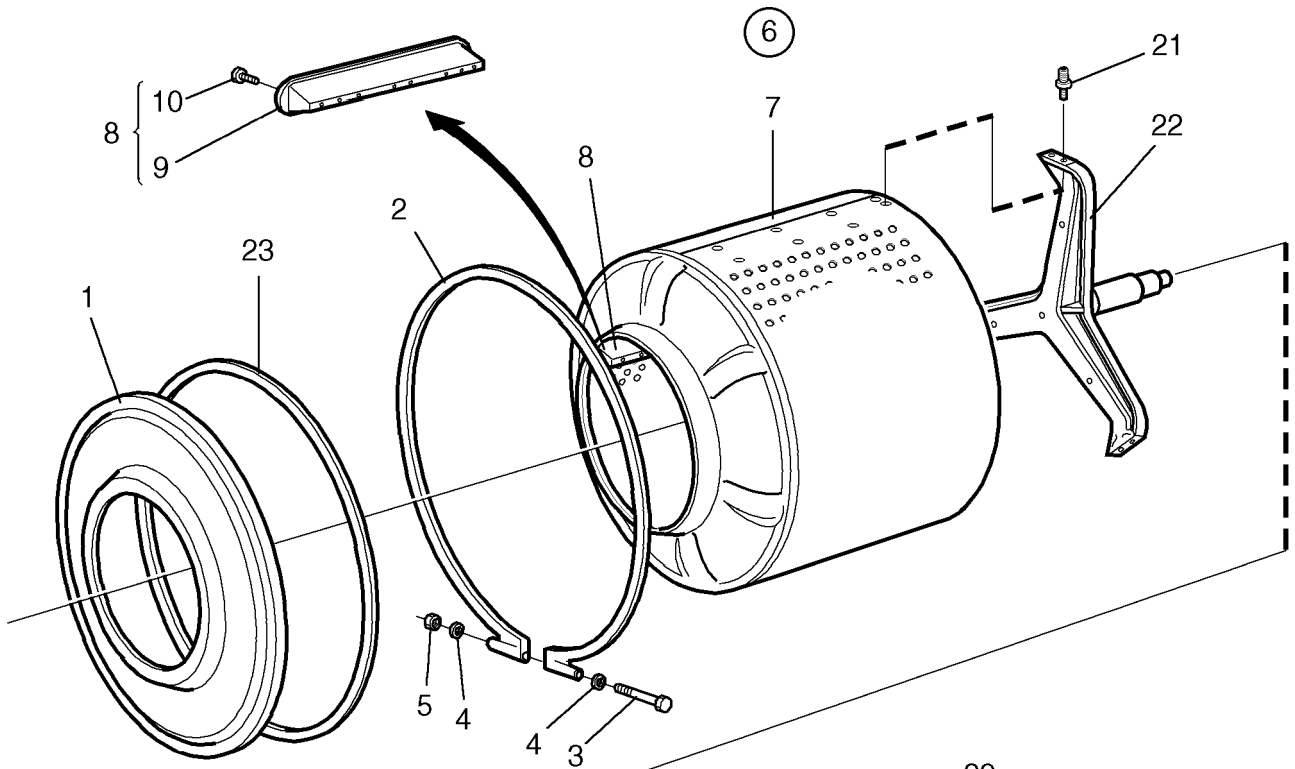
101611

Issue	Month	Year
01	12	97

**WE56MP,452E****Control panel****Manöverpanel**

Illustration	Issue	Month	Year
Illustration	Utgåva	Månad	År
<b>101611</b>	<b>1</b>	<b>5</b>	<b>1998</b>

Item Pos.	Qua Ant.	Art.No Art.nr	Description	Benämning	Info Info	Notes Anmärkning
<b>1</b>	1	<b>438 5083-10</b>	Panel	Panel	3	Black
	1	<b>438 5083-11</b>	Panel	Panel	3	Grey
<b>2</b>	1	<b>438 5084-01</b>	Panel plate	Panelplåt	3	
<b>3</b>	1	<b>472 5774-01</b>	Panel sign	Panelskylt	1	PE11,PE31
	1	<b>472 5774-02</b>	Panel sign	Panelskylt	1	PE11,PE31 QSR
	1	<b>472 5777-01</b>	Panel sign	Panelskylt	1	PE11 Camping
<b>4</b>	1	<b>471 8988-02</b>	Printed circuit board	Kretskort	1,2	
<b>5</b>	3	<b>438 5154-01</b>	Bracket	Hållare	3	
<b>6</b>	3	<b>471 8340-26</b>	Screw	Skruv	3	4,2x25
<b>7</b>	1	<b>438 5138-01</b>	Cover	Lock	3	Black
	1	<b>438 5138-02</b>	Cover	Lock	3	Grey
<b>8</b>	1	<b>438 5085-01</b>	Heat shield	Värmesköld	3	



Issue	Month	Year
06	02	02



## WE55,WE55MP,WE56MP,HS 255,HS 255E,451E,452E

## Outer and inner drum

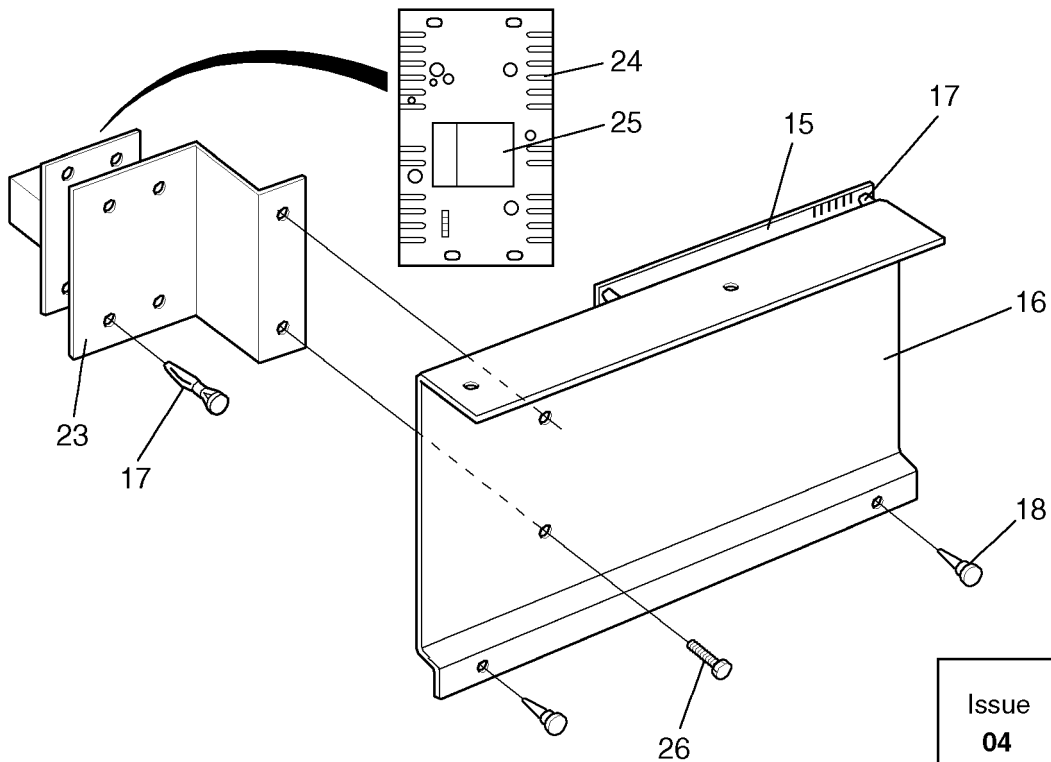
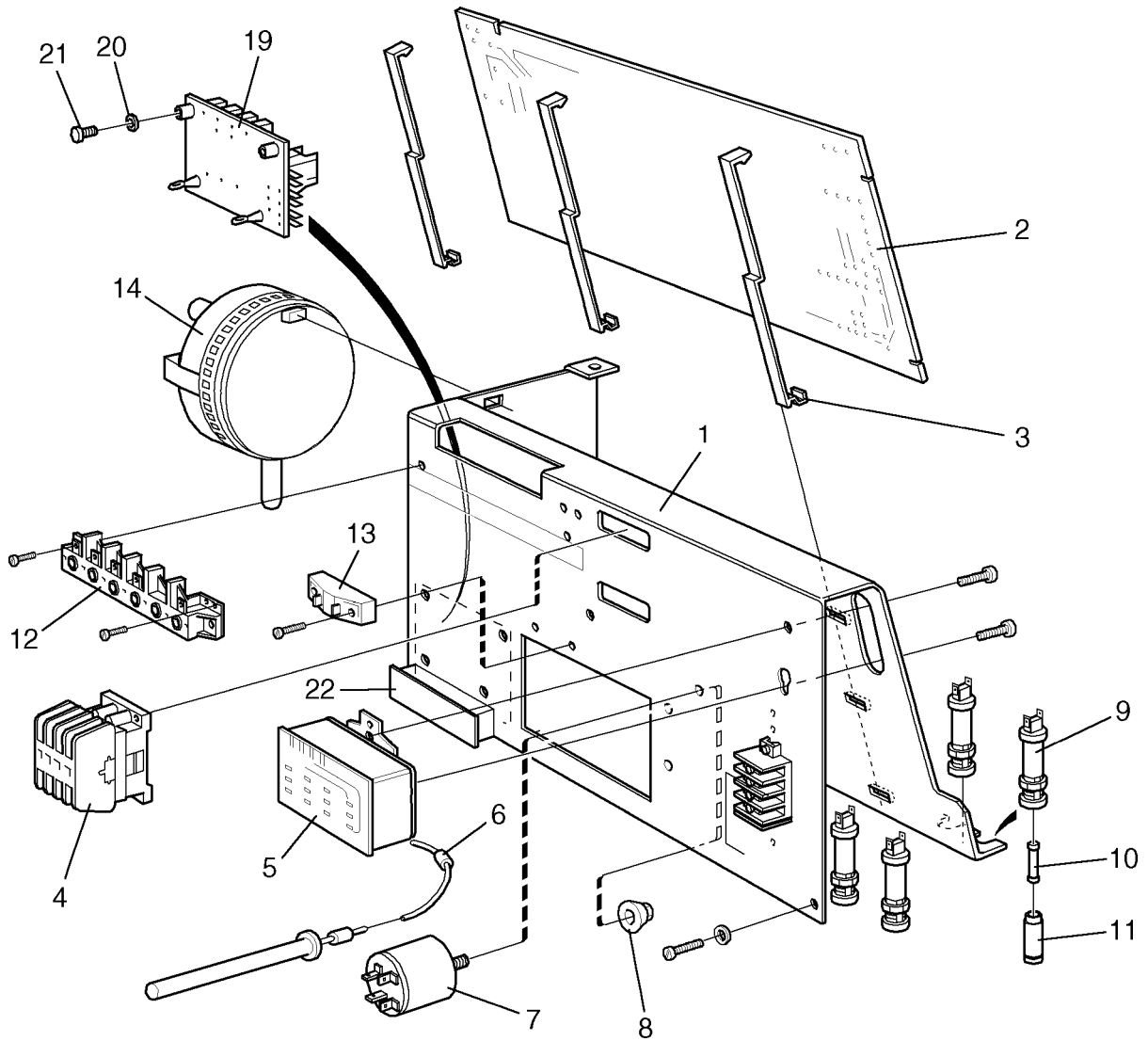
Illustration Issue Month Year

Illustration Utgåva Månad År

## Ytter- och innertrumma

101077 13 11 2002

Item Pos.	Qua Ant.	Art.No Art.nr	Description	Benämning	Info Info	Notes Anmärkning
1	1	438 5050-01	End piece	Gavel	3	
2	1	438 5058-01	Tension strap	Spännband	3	
3	1	471 9222-59	Screw	Skruv	3	M8X140
4	2	471 8502-14	Washer	Bricka	3	BRB 8,4X17
5	1	732 2118-01	Locking nut	Låsmutter	3	M8
6	1	472 9903-78	Drum	Trumma	1	Complete -94/3927
	1	472 9903-78	Drum	Trumma	1	Complete 94/3928-
7	1	438 5119-02	•Inner drum	•Innertrumma	1	
8	1	472 9901-42	••Lifter	••Valk	1	Kit
9	3	124 0069-22	•••Lifter	•••Valk	1	
10	6	471 8317-06	•••Screw	•••Skruv	3	
11	1	438 5137-02	•Outer drum	•Yttertrumma	3	Hot water -94/3927
*	1	472 9901-78	•Outer drum	•Yttertrumma	3	El. heated -94/3927
	1	438 5137-04	•Outer drum	•Yttertrumma	3	Hot water 94/3928-
*	1	472 9901-96	•Outer drum	•Yttertrumma	3	El. heated 94/3928-
12	2	438 5115-01	•Bracket	•Hållare	3	
13	2	438 5127-01	•Gasket	•Packning	3	
14	2	731 2316-42	•Nut	•Mutter	3	M6
15	1	438 5117-01	•Back plate	•Bakgavel	1	
16	1	472 9904-83	•Repair kit	•Renoveringssats	1,2	
17	6	471 8357-01	••Screw	••Skruv	3	
18	1		••Seal	••Tätning		
19	1		••Ball bearing	••Kullager		
20	1		••Ball bearing	••Kullager		
21	6	471 8367-01	••Screw	••Skruv	3	
22	1		••Shaft	••Axel		
23	1	438 5061-01	••Gasket	••Packning	1	
24	1	438 5118-01	•Pulley	•Remskiva	1	
25	1	471 8524-01	•Spring washer	•Fjäderbricka	3	
26	1	471 8358-01	•Screw	•Skruv	3	-94/4452
	1	471 8358-02	•Screw	•Skruv	3	94/4453-
27	1	471 8502-26	•Washer	•Bricka	3	
28	1	438 5176-01	Bushing	Bussning	3	
29	1	471 7700-12	V-belt	Kilrem	1,2	
30	2	471 9813-01	Heating element	Element	1,2	2,2kW 230V
31	2	471 4494-01	Blind flange	Blindfläns	1	Hot water
32	1	472 9913-22	Sensor	Givare	1,2	Complete
33	1	471 8192-01	•Bushing	•Bussning	1,2	
34	1	438 5160-01	Cover	Skydd	3	



Issue	Month	Year
04	01	98

## WE55,HS 255

## Electric components

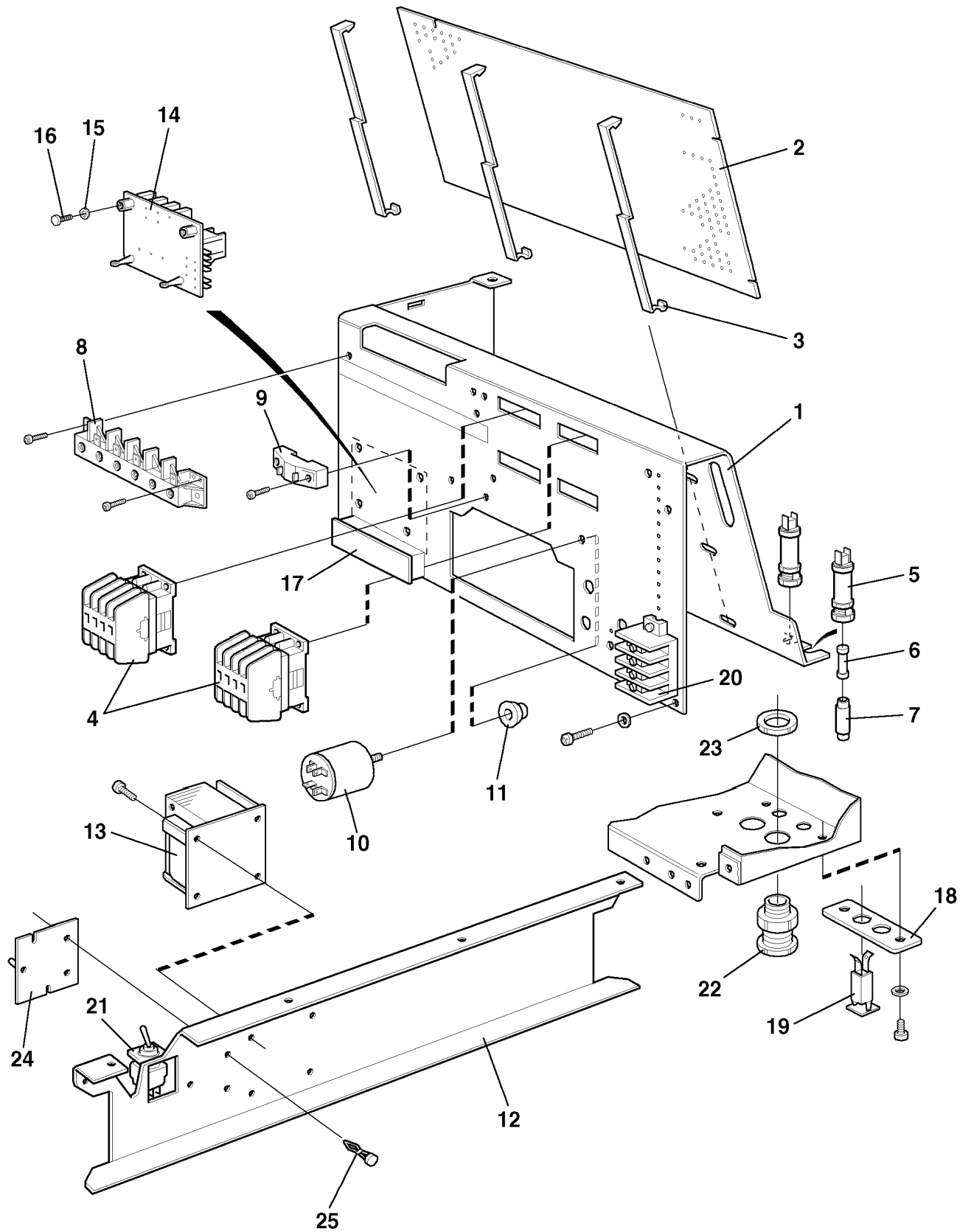
Illustration Issue Month Year

Illustration Utgåva Månad År

## Eldetaljer

101080 13 12 2001

Item Pos.	Qua Ant.	Art.No Art.nr	Description	Benämning	Info Info	Notes Anmärkning
1	1	438 5162-01	Component panel	Komponentplåt	3	
2	1	471 8987-03	Printed circuit board	Kretskort	1,2	-93/785
	1	471 8987-21	Printed circuit board	Kretskort	1,2	93/786-
3	3	472 8969-03	Bracket	Hållare	3	
4	1	438 9636-02	Contactactor	Kontaktor	1,2	50Hz, K3-10
	1	438 9636-03	Contactactor	Kontaktor	1,2	60Hz, K3-10
5	1	472 9901-35	Thermostat	Termostat	1,2	
6	2	438 5150-01	•Cover	•Skydd	1	
7	1	471 9529-11	LC-filter	LC-filter	1	Non-heated
8	1	471 9035-20	Nut	Mutter	3	M8 Non-heated
9	2	471 8756-01	Fuse holder	Säkringshållare	1	5X20 MM
10	2	471 8750-14	Fuse	Säkring	1,2	5A slow
	2	471 8750-07	Fuse	Säkring	1,2	5A slow, 60Hz
	2	471 8778-02	Circuit breaker	Automatsäkring	1,2	10A USA
11	1	471 8756-51	Insert	Insats	1	5X20MM
	1	471 8756-52	Insert	Insats	1	6,3X32MM,60Hz
12	1	471 8759-01	Block	Plint	3	
13	1	471 7865-03	Cable clip	Kabelhållare	3	
14	1	471 8859-53	Level control	Nivåkontroll	1,2	-94/3927
	1	471 8859-55	Level control	Nivåkontroll	1,2	94/3928-
15	1	438 5460-01	Printed circuit board	Kretskort	3	
16	1	438 5300-28	Bracket	Hållare	3	
17	10	471 7958-01	Support	Stöd	3	
18	2	471 8196-01	Plug	Plugg	3	
19	1	438 5465-01	RFI filter	Radiostörningsfilter	1	HEATED 93/786-
	1	438 5465-02	RFI filter	Radiostörningsfilter	1	440V
20	2	735 2136-01	Lock washer	Låsbricka	3	AZ 4,3 HEATED 93/786-
21	2	471 8341-11	Screw	Skruv	3	MRT 4X6 HEATED 93/786-
22	1	471 2437-15	Rubber cushion	Kuts	3	
23	1	438 5232-01	Bracket	Konsol	3	98/21605-
24	1	438 5462-01	Printed circuit board	Kretskort	1	98/21605-
25	1	471 9649-01	•Relay	•Relä	1,2	98/21605-
26	2	471 8342-13	Screw	Skruv	3	MRT-TT 4X10 98/21605-



101092

Issue	Month	Year
05	06	99

## WE55MP,WE56MP,HS 255E,451E,452E

## Electric components

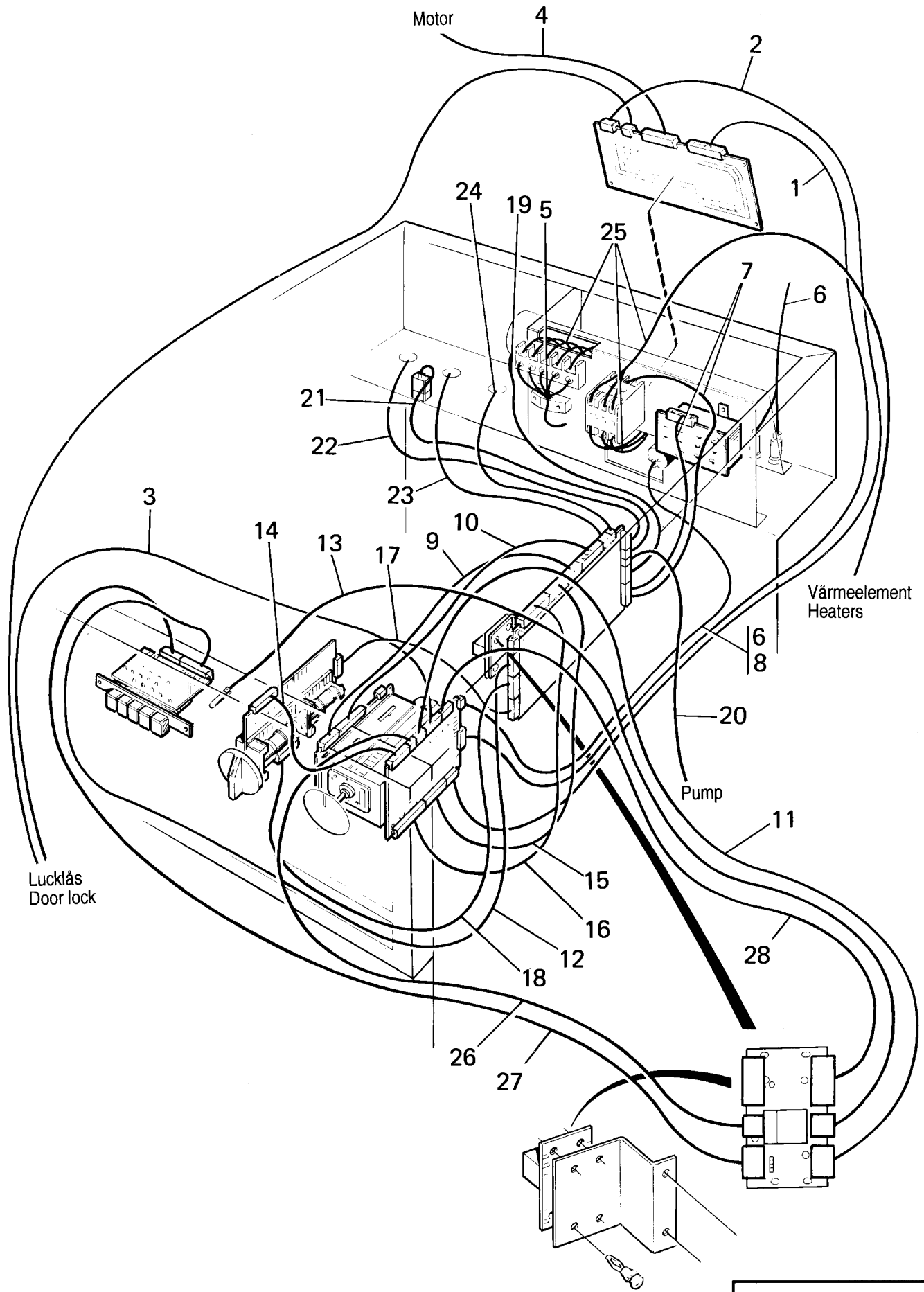
Illustration Issue Month Year

Illustration Utgåva Månad År

## Eldetaljer

101092 14 12 2001

Item Pos.	Qua Ant.	Art.No Art.nr	Description	Benämning	Info Info	Notes Anmärkning
1	1	438 5162-01	Component panel	Komponentplåt	3	
2	1	471 8987-22	Motor control	Motorstyrning	1,2	-99/32356
	1	472 9904-49	Motor control	Motorstyrning	1,2	99/32357-
3	3	472 8969-03	Bracket	Hållare	3	-99/32290
4	RQ	438 9636-02	Contacto	Kontaktor	1,2	50Hz, K3-10
	RQ	438 9636-03	Contacto	Kontaktor	1,2	60Hz, K3-10
5	2	471 8756-01	Fuse holder	Säkringshållare	1	5X20 MM
6	2	471 8750-14	Fuse	Säkring	1,2	5A slow
	2	471 8750-07	Fuse	Säkring	1,2	5A slow, 60Hz
	2	471 8778-02	Circuit breaker	Automatsäkring	1,2	10A USA
7	2	471 8756-51	Insert	Insats	1	5X20MM
	2	471 8756-52	Insert	Insats	1	6,3X32MM,60Hz
8	1	471 8759-01	Block	Plint	3	
9	1	471 7865-03	Cable clip	Kabelhållare	3	
10	1	471 9529-11	LC-filter	LC-filter	1	Non-heated
11	1	471 9035-20	Nut	Mutter	3	M8 Non-heated
12	1	438 5156-01	Component panel	Komponentplåt	3	
13	1	471 9558-11	Transformer	Transformator	1,2	
14	1	438 5465-01	RFI filter	Radiostörningsfilter	1	HEATED 93/592-
	1	438 5465-02	RFI filter	Radiostörningsfilter	1	440V
15	2	735 2136-01	Lock washer	Låsbricka	3	AZ 4,3 HEATED 93/592-
16	2	471 8341-11	Screw	Skruv	3	MRT 4X6 HEATED 93/592-
17	1	471 2437-15	Rubber cushion	Kuts	3	
18	1	438 5193-01	Plate	Plåt	3	
19	2	471 8778-01	Circuit breaker	Automatsäkring	1,2	6A
20	4	471 8760-01	Block	Plint	3	
21	1	471 9629-02	Switch	Brytare	1,2	
22	1	762 2109-05	Sealing ring	Tätningring	3	
23	1	471 8780-32	Nut	Mutter	3	18
24	1	471 9660-51	Printed circuit board	Kretskort	1	
25	3	471 7958-02	Support	Stöd	3	



Lucklås  
Door lock

Värmeelement  
Heaters

Pump

Issue	Month	Year
04	02	98

## WE55,HS 255

## Cables

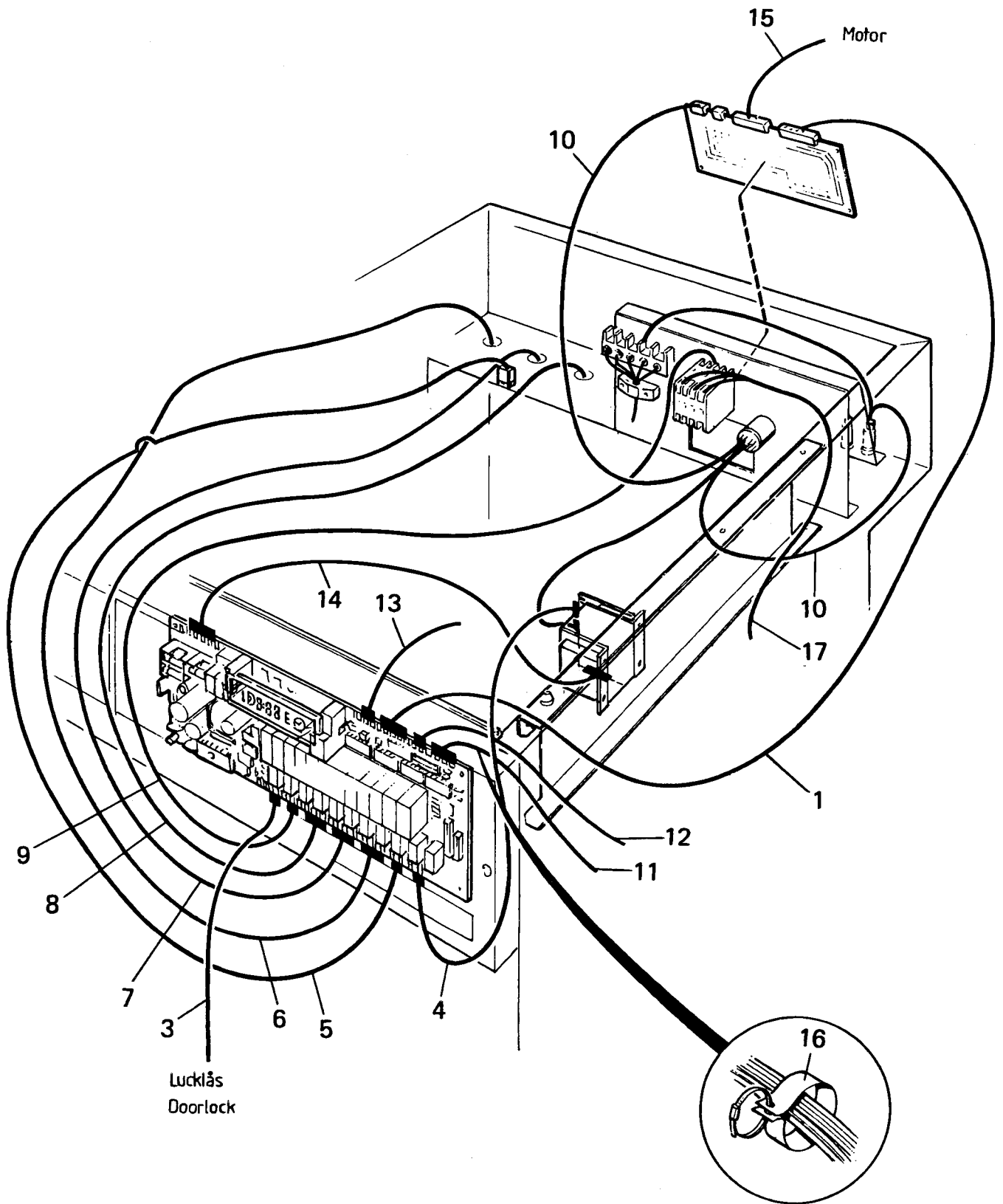
Illustration Issue Month Year

Illustration Utgåva Månad År

## Kablage

**101083 4 4 1998**

Item Pos.	Qua Ant.	Art.No Art.nr	Description	Benämning	Info Info	Notes Anmärkning
1	1	438 3087-04	Cables	Kablage	3	MOTOR CONTROL, X76-X94
2	1	438 3084-06	Cables	Kablage	3	MOTOR CONTROL, X77-X177
3	1	438 5450-20	Cables	Kablage	3	DOOR LOCK, X73
4	1	438 5450-40	Cables	Kablage	3	MOTOR, X94, -93/785
	1	438 5450-41	Cables	Kablage	3	MOTOR, X94, 93/786-
5	1	438 5450-01	Cables	Kablage	3	3NAC, 3AC
	1	438 5450-23	Cables	Kablage	3	1AC
6	1	438 5450-10	Cables	Kablage	3	FUSE, -93/785
	1	438 5450-17	Cables	Kablage	3	FUSE, 93/786-
	1	438 5450-11	Cables	Kablage	3	Fuse, transformer -93/785
	1	438 5450-16	Cables	Kablage	3	Fuse, transformer 93/786-
7	1	438 3088-04	Cables	Kablage	3	THERMOSTAT, X80-X180
8	1	438 5450-13	Cables	Kablage	3	TIMER, X75
9	1	438 3086-10	Cables	Kablage	3	X88-X188
10	1	438 3084-05	Cables	Kablage	3	X87-X187
11	1	438 3084-05	Cables	Kablage	3	TIMER, X72-X72B
12	1	438 3089-04	Cables	Kablage	3	X90-X190
13	1	438 3082-31	Cables	Kablage	3	X171
14	1	438 3089-05	Cables	Kablage	3	X70-X170
15	1	438 3088-02	Cables	Kablage	3	X78-X178
16	1	438 3092-01	Cables	Kablage	3	X79-X179
17	1	438 3086-11	Cables	Kablage	3	X92-X192
18	1	438 3088-03	Cables	Kablage	3	X91-X191
19	1	438 3089-06	Cables	Kablage	3	X81
20	1	438 5450-30	Cables	Kablage	3	PUMP, X82
21	1	438 3083-03	Cables	Kablage	3	X83
22	1	438 3086-12	Cables	Kablage	3	COLD WATER, X84
23	1	438 3084-07	Cables	Kablage	3	HOT WATER, X86
24	1	438 3082-16	Cables	Kablage	3	HARD WATER, X85
25	1	438 5450-51	Cables	Kablage	3	Heating
26	1	438 3030-42	Cables	Kablage	3	X71-X71B
27	1	438 3084-05	Cables	Kablage	3	X172-X172B
28	1	438 3086-11	Cables	Kablage	3	X74-X74B





## WE55MP,WE56MP,HS 255E,451E,452E

## Cables

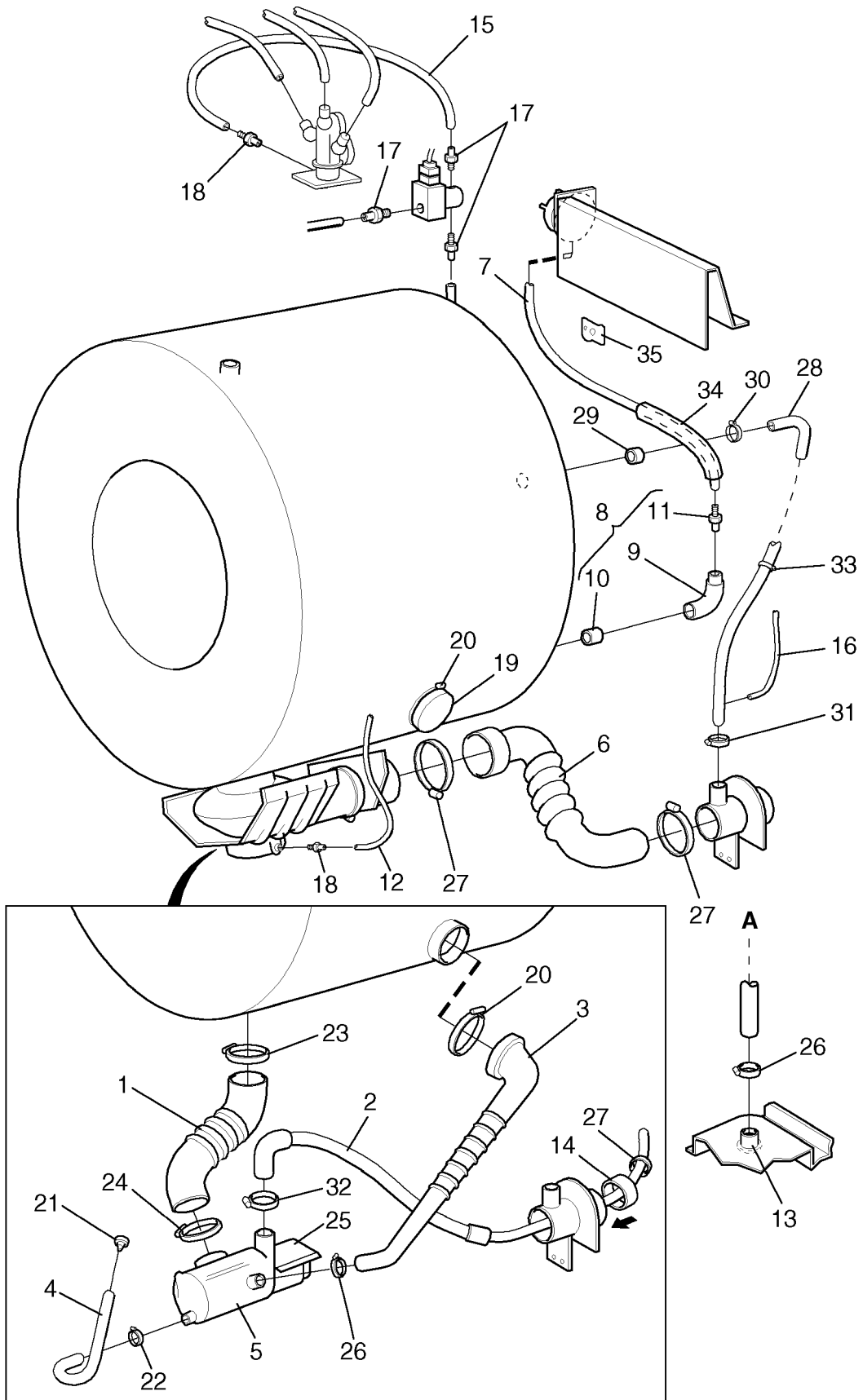
Illustration Issue Month Year

Illustration Utgåva Månad År

## Kablage

**101093 12 11 2000**

Item Pos.	Qua Ant.	Art.No Art.nr	Description	Benämning	Info Info	Notes Anmärkning
1	1	438 3084-06	Cables	Kablage	3	Motor control, X75-X94
2						Not used
3	1	438 5450-23	Cables	Kablage	3	Door lock, X71 -99/29138
	1	438 5450-25	Cables	Kablage	3	Door lock, X71 Door lock, X71 99/29139-99/32356
	1	438 5450-26	Cables	Kablage	3	Door lock, X71 99/32357-
4	1	438 3082-13	Cables	Kablage	3	2-pole trafo-trafo Transformer, X78
5	1	438 5450-32	Cables	Kablage	3	Drain, X79
6	1	438 3086-04	Cables	Kablage	3	Cold water, X80
7	1	438 3084-08	Cables	Kablage	3	Hot water, X81
8	1	438 3082-07	Cables	Kablage	3	Hard water, X82
9	1	438 3082-58	Cables	Kablage	3	Heating, X83
10	1	438 5450-18	Cables	Kablage	3	Fuse
	1	438 5450-19	Cables	Kablage	3	Fuse, transformer
11	1		Cables	Kablage	3	Coin-meter, X77
12	1		Cables	Kablage	3	O-price, X76
13	1	438 3082-07	Cables	Kablage	3	Temp. sensor, X74
14	1	438 3087-05	Cables	Kablage	3	Transformer, X72
15	1	438 5450-41	Cables	Kablage	3	Motor, X92
16	1	438 5157-01	Cover	Skydd	3	
17	1	438 5450-51	Cables	Kablage	3	Heating



Issue	Month	Year
06	09	94

## WE55,WE55MP,WE56MP,HS 255,HS 255E,451E,452E

## Hoses

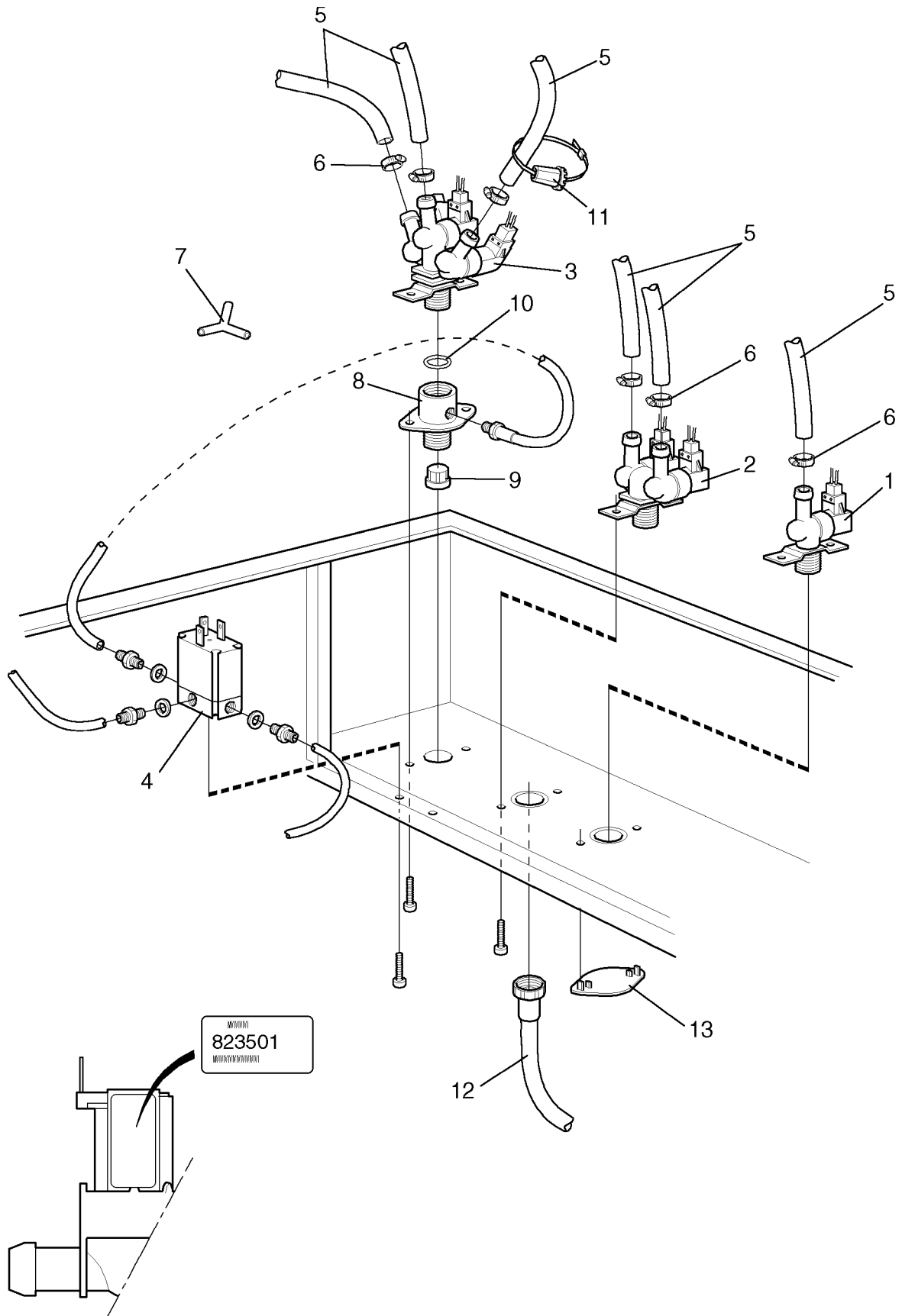
Illustration Issue Month Year

Illustration Utgåva Månad År

## Slangar

101081 9 6 1995

Item Pos.	Qua Ant.	Art.No Art.nr	Description	Benämning	Info Info	Notes Anmärkning
1	1	438 5018-01	Hose	Slang	1,2	Drum-pump
2	1	471 6858-82	Drain hose	Avloppsslang	1	Pump-drain
3	1	438 5032-01	Hose	Slang	1	Circulation
4	1	471 6858-85	Hose	Slang	1	
5	1	471 8269-01	Pump	Pump	1,2	
6	1	438 5025-01	Hose	Slang	1	Drum-Drain
7	1	471 2436-10	Hose	Slang	1	L=800
	1	471 2425-28	Hose	Slang	1	L=1500, MP
8	1	472 9903-72	Pressure chamber	Tryckkammare	1	Complete
9	1	438 5024-01	•Pressure chamber	•Tryckkammare	1	
10	1	438 5023-01	•Pipe	•Rör	3	
11	1	471 2401-52	•Nipple	•Nippel	3	
12	1	471 8139-03	Hose	Slang	1	
13	1	471 6858-68	Connection	Anslutning	3	
14	1	438 5022-01	Discharge	Avlastning	3	
15	1	471 8139-01	Hose	Slang	1	L=330 L=330
16	3	471 8139-09	Hose	Slang	1	L=1650
17	3	471 8688-13	Nipple	Nippel	1	1/8"
19	1	438 5026-01	Hood	Huv	3	
20	1	471 7871-05	Hose clamp	Slangklämna	3	No.5
21	1	471 6858-86	Plug	Plugg	3	
22	1	471 6858-84	Hose clamp	Slangklämna	3	
23	1	471 7871-07	Hose clamp	Slangklämna	3	
24	1	736 2837-51	Hose clamp	Slangklämna	3	Ø48-54
25	1	471 6859-66	Cover	Skydd	3	
26	2	736 2819-51	Hose clamp	Slangklämna	3	
27	4	736 2840-51	Hose clamp	Slangklämna	3	Ø50-63
28	1	438 5039-01	Hose	Slang	3	
29	1	438 5034-01	Cover	Skydd	3	
30	1	471 7871-06	Hose clamp	Slangklämna	3	
31	1	736 2828-51	Hose clamp	Slangklämna	3	
32	1	736 2825-51	Hose clamp	Slangklämna	3	Ø32
33	1	471 7872-02	Clamp	Klamma	3	
34	1	471 8142-03	Hose sleeve	Slanghylsa	3	L=250
35	2	471 7874-01	Clip	Clips	3	



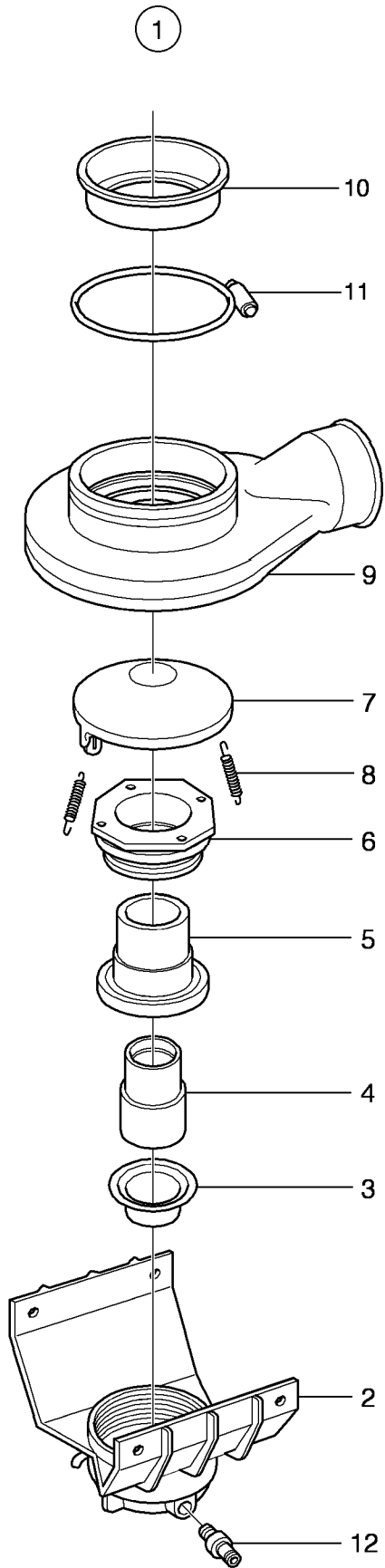
**WE55,WE55MP,WE56MP,HS 255,HS 255E,451E,452E****Water alternatives**

Illustration Issue Month Year

Illustration Utgåva Månad År

**Vattenalternativ****101084 7 12 1999**

Item Pos.	Qua Ant.	Art.No Art.nr	Description	Benämning	Info Info	Notes Anmärkning
1	1		Valve	Ventil	1,2	1-way See group 8115
2	1		Valve	Ventil	1,2	208-240V See group 8116
3	1		Valve	Ventil	1,2	208-240V See group 8117
4	1	<b>471 8243-04</b>	Solenoid valve	Magnetventil	1,2	220-240V 50Hz
	1	<b>471 8243-05</b>	Solenoid valve	Magnetventil	1,2	208-240V 60Hz
5	RQ	<b>877 5211-08</b>	Hose	Slang	1	Per 1 m PER 1M
6	RQ	<b>736 2816-51</b>	Hose clamp	Slangklämma	3	Ø13-19
7	1	<b>471 8628-21</b>	Y-pipe	Y-rör	3	
8	1	<b>438 0056-01</b>	Nipple	Nippel	3	
9	1	<b>471 8234-94</b>	Filter	Filter	3	
10	1	<b>471 8199-01</b>	Gasket	Packning	3	
11	1	<b>471 4792-01</b>	Tool	Verktyg	3	
12	2	<b>438 5031-01</b>	Hose	Slang	1	
13	RQ	<b>472 6761-01</b>	Cover washer	Täckbricka	3	



Issue	Month	Year
02	04	95

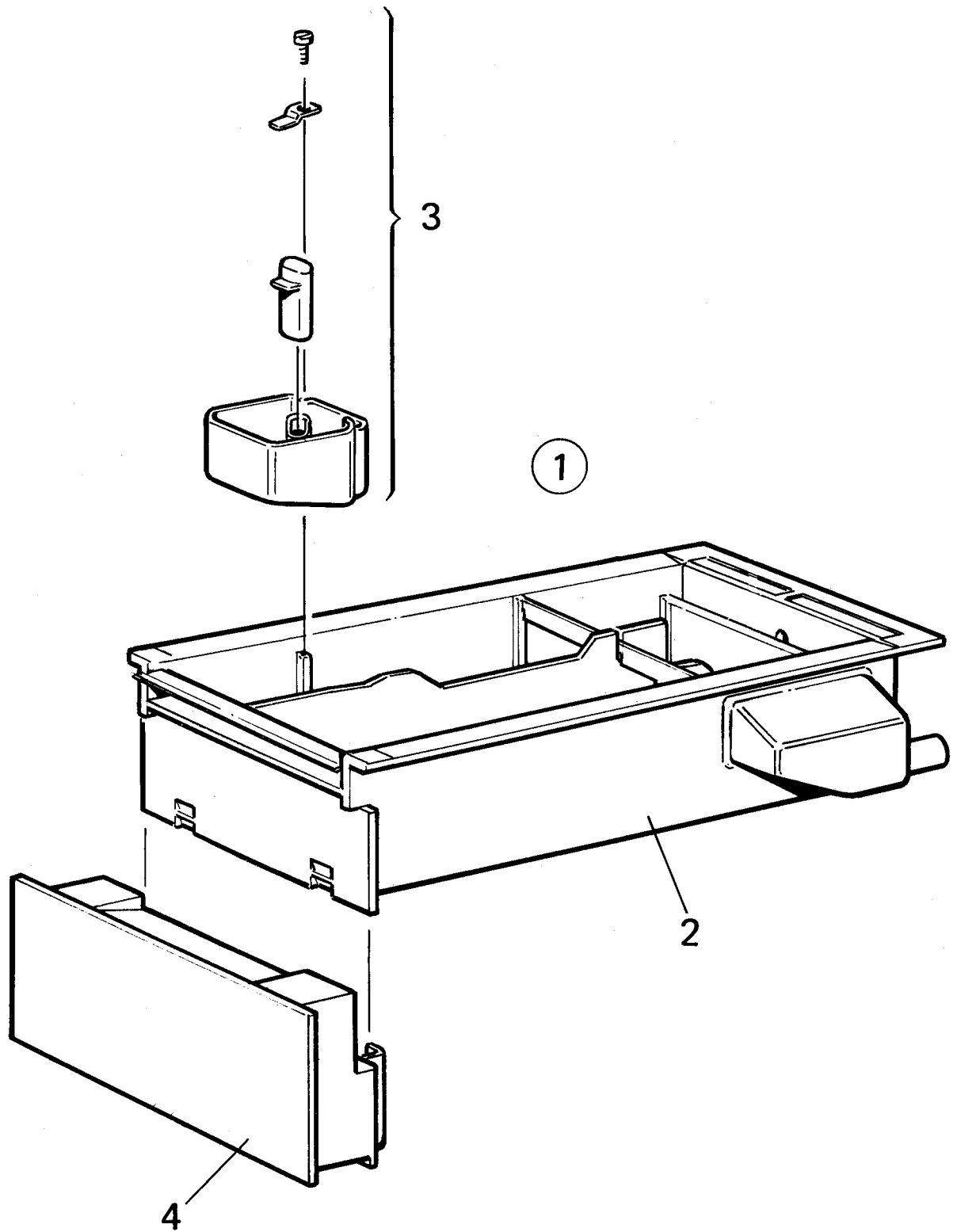
**WE55,WE55MP,WE56MP,HS 255,HS 255E,451E,452E****Drain valve**

Illustration Issue Month Year

Illustration Utgåva Månad År

**Avloppsventil****101082 5 10 1996**

Item Pos.	Qua Ant.	Art.No Art.nr	Description	Benämning	Info Info	Notes Anmärkning
1	1	472 9903-81	Drain valve	Avloppsventil	1,2	Complete -95/8668
	1	438 0093-02	Drain valve	Avloppsventil	1,2	Complete 95/8669-
2	1	472 9903-82	•Lower frame	•Underdel	1	-95/8668
	1	438 0051-01	•Lower frame	•Underdel	1	95/8669-
3	1	471 8195-01	•Diaphragm	•Membran	1	
4	1	438 0054-01	•Piston	•Kolv	3	
5	1	438 0053-01	•Housing	•Hus	3	
6	1	438 0055-01	•Gland	•Gland	3	
7	1	438 0052-01	•Cover	•Lock	3	
8	2	471 7801-07	•Spring	•Fjäder	1	
9	1	438 5017-01	•Hose	•Slang	1	
10	1	438 5016-01	•Rubber ring	•Manschett	1	
11	1	471 7871-02	Hose clamp	Slangklämma	3	
12	1	471 8688-13	Nipple	Nippel	1	1/8"





WE55 -94/3927,WE55MP -94/3927,HS 255,HS 255E,451E

Detergent container

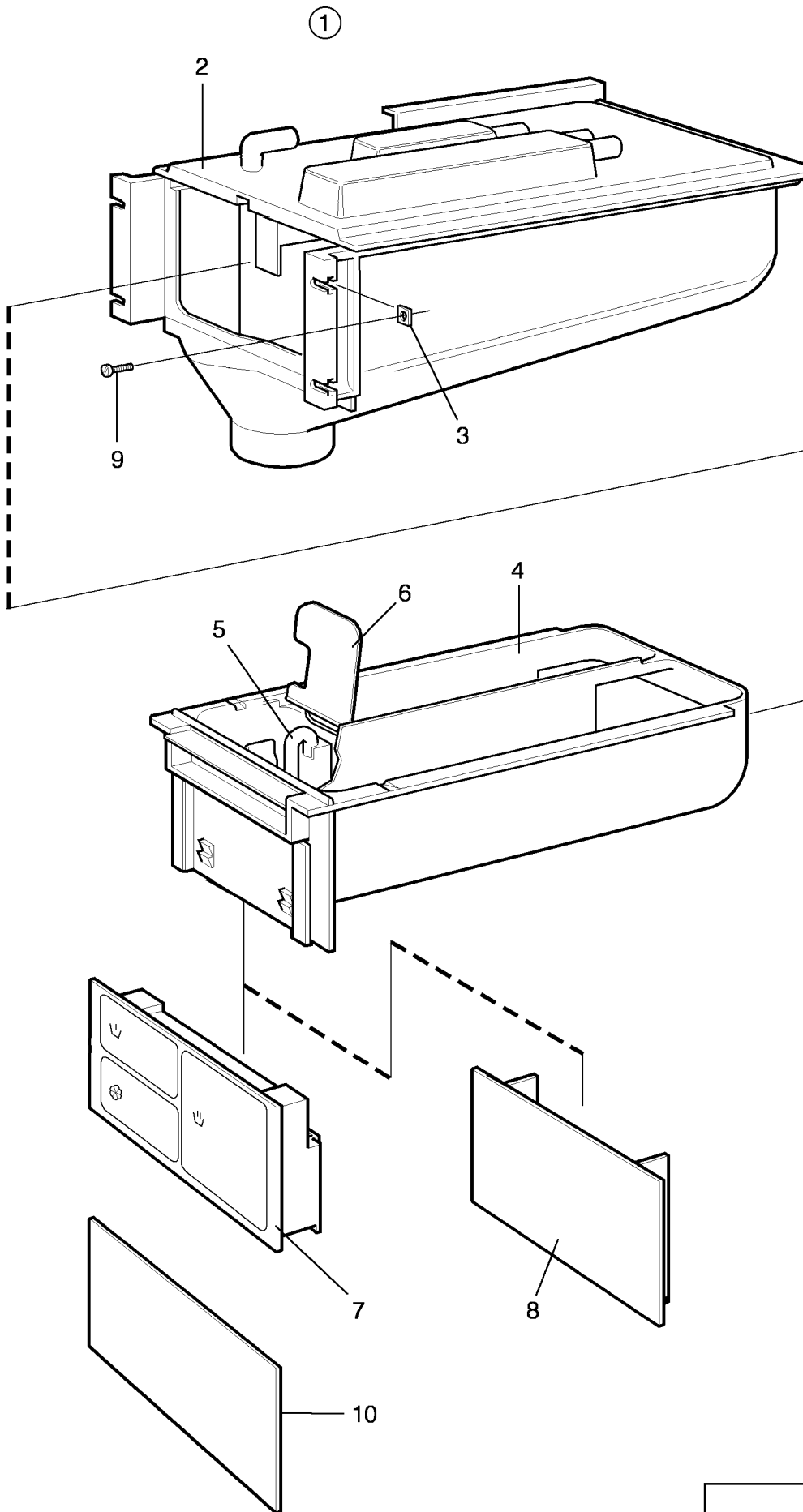
Illustration Issue Month Year

Illustration Utgåva Månad År

Tvättmedelslåda

**101085 4 10 1994**

Item Pos.	Qua Ant.	Art.No Art.nr	Description	Benämning	Info Info	Notes Anmärkning
1	1	438 5139-01	Detergent container	Tvättmedelsbehållare	1	COMPL., NO PUMP
	1	438 5139-02	Detergent container	Tvättmedelsbehållare	1	COMPL., PUMP
2	1	471 6858-64	•Detergent compartment	•Tvättmedelsfack	1	NO PUMP
	1	471 6858-65	•Detergent compartment	•Tvättmedelsfack	1	Pump
3	1	472 9901-34	•Rinse agent cup	•Sköljmedelskopp	1	Complete
4	1	438 5110-01	Handle	Handtag	1	



WE55 94/3928-,WE55MP 94/3928-,WE56MP 94/3928-,HS 255,HS 255E,451E,452E

## Detergent container

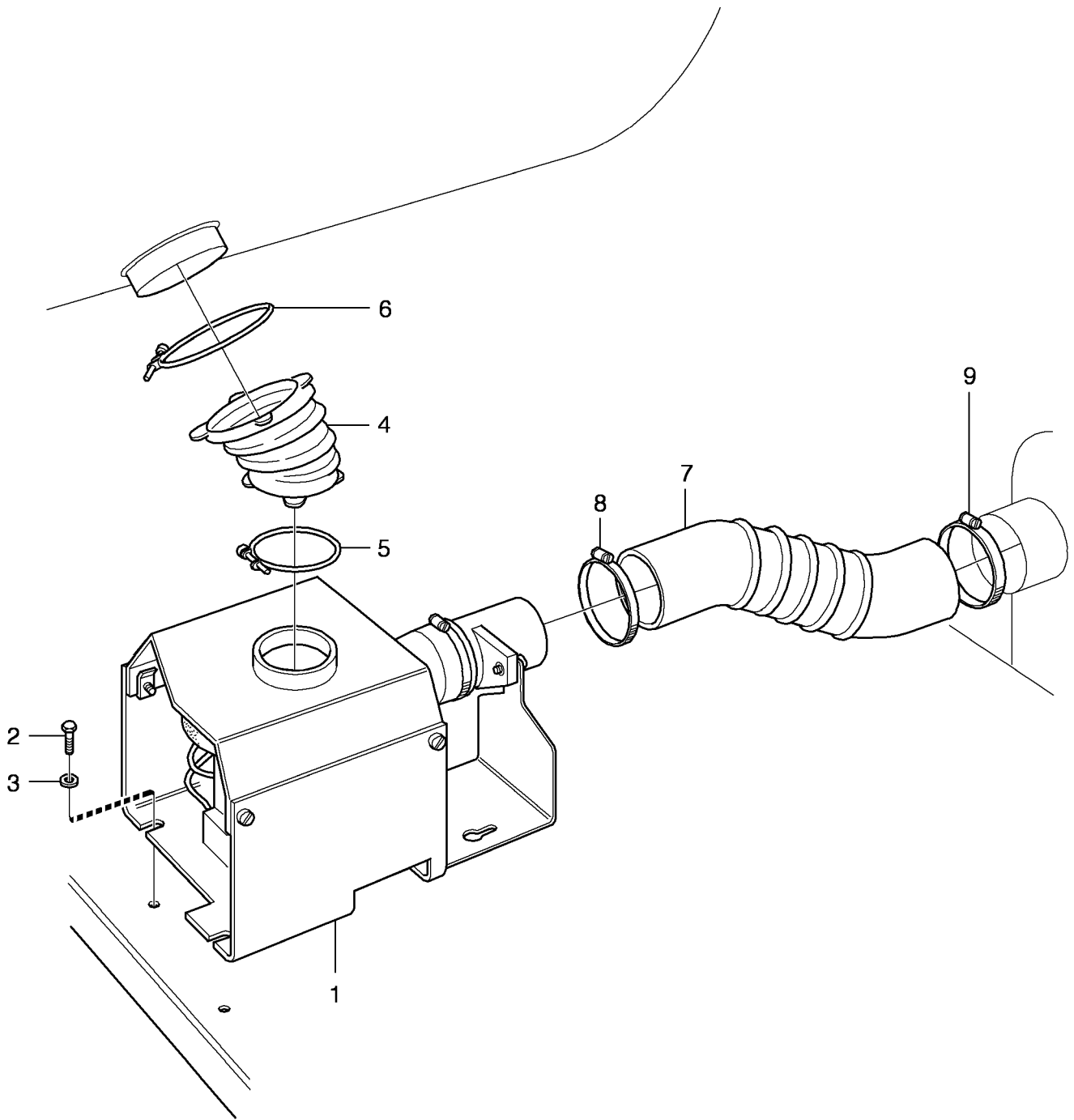
Illustration Issue Month Year

Illustration Utgåva Månad År

## Tvättmedelslåda

101194/4 8 12 2001

Item Pos.	Qua Ant.	Art.No Art.nr	Description	Benämning	Info Info	Notes Anmärkning
1	1	472 9903-46	Detergent container	Tvättmedelsbehållare	1	Complete
2	1		•Cabinet	•Ytterhölje	1	
3	4	471 8401-02	••Nut	••Mutter	3	
4	1	472 9903-45	•Box	•Låda	1	
5	1	472 6006-02	••Siphon	••Hävert	1	
6	1	438 5072-01	••Cover	••Lock	3	
7	1	438 5110-01	Handle	Handtag	1	WE55/MP
	1	438 5082-10	Handle	Handtag	1	WE56
	1	438 5082-05	Handle	Handtag	1	Wascator
	1	438 5082-06	Handle	Handtag	1	OSBY
8						Not used
9	4	471 8344-15	Screw	Skruv	3	
10	1	471 7593-01	Sign	Skytt	3	WE56MP



101178

Issue	Month	Year
01	05	94

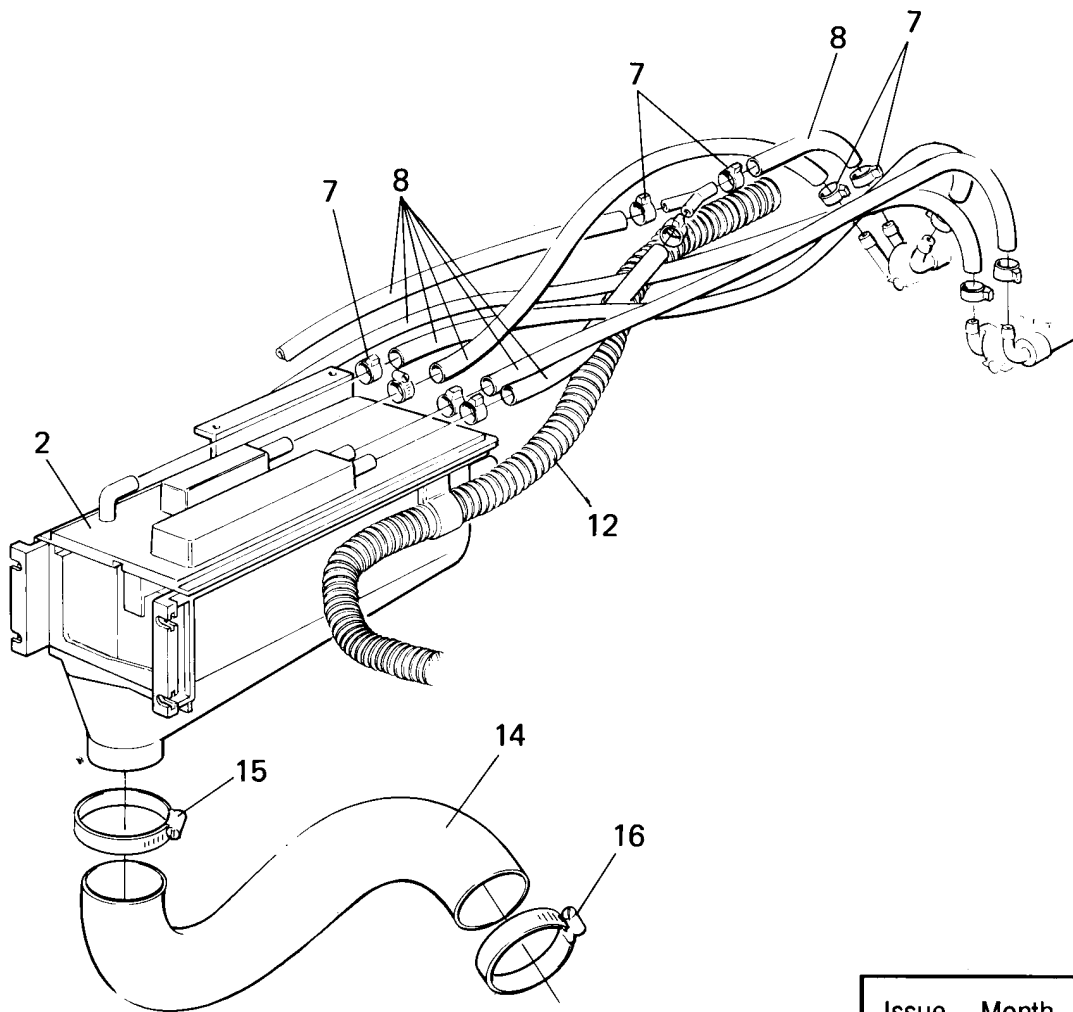
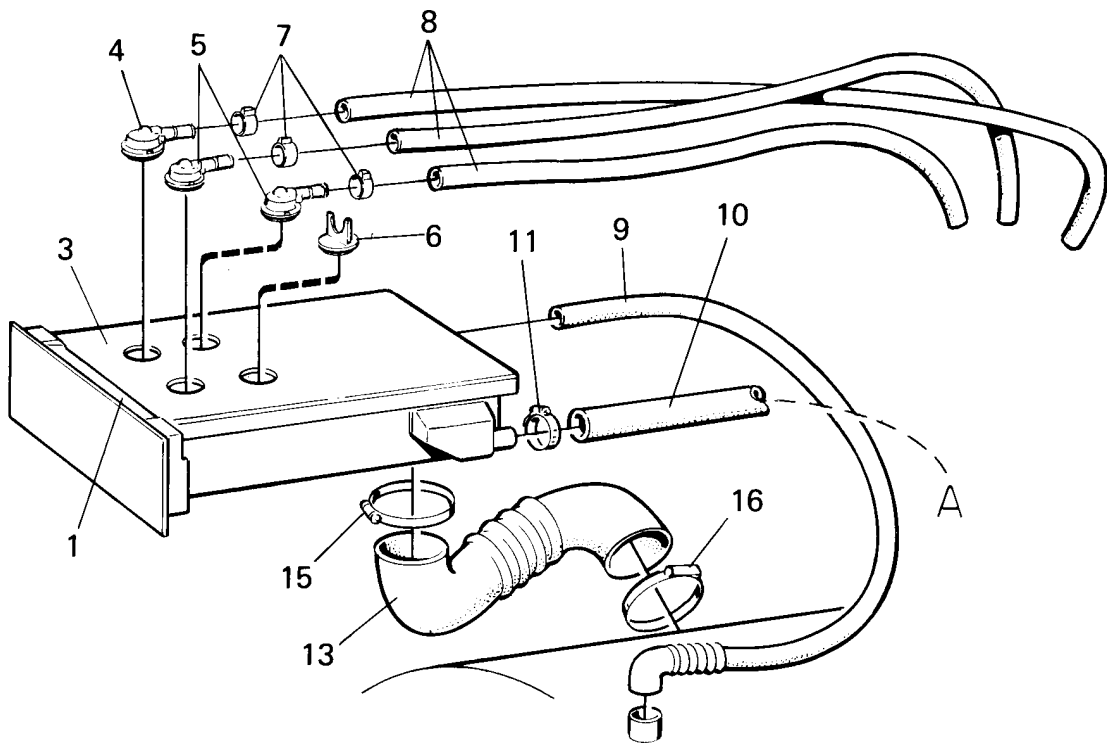
**WE55,WE55MP,WE56MP,HS 255,HS 255E,451E,452E****Electric drain valve**

Illustration Issue Month Year

Illustration Utgåva Månad År

**EI. avloppsventil****101178 5 12 2001**

Item Pos.	Qua Ant.	Art.No Art.nr	Description	Benämning	Info Info	Notes Anmärkning
<b>1</b>	1		Drain valve	Avloppsventil		See illustr. 101906
<b>2</b>	3	<b>725 2327-61</b>	Screw	Skruv	3	M6SF 5X12
<b>3</b>	2	<b>735 2146-01</b>	Washer	Bricka	3	M5
<b>4</b>	1	<b>438 5177-01</b>	Hose	Slang	1	
<b>5</b>	1	<b>471 7871-05</b>	Hose clamp	Slangklämma	3	
<b>6</b>	1	<b>471 7871-04</b>	Hose clamp	Slangklämma	3	
<b>7</b>	1	<b>438 5184-01</b>	Hose	Slang	1	
<b>8</b>	1	<b>736 2840-51</b>	Hose clamp	Slangklämma	3	Ø50-63
<b>9</b>	1	<b>736 2837-51</b>	Hose clamp	Slangklämma	3	Ø48-54



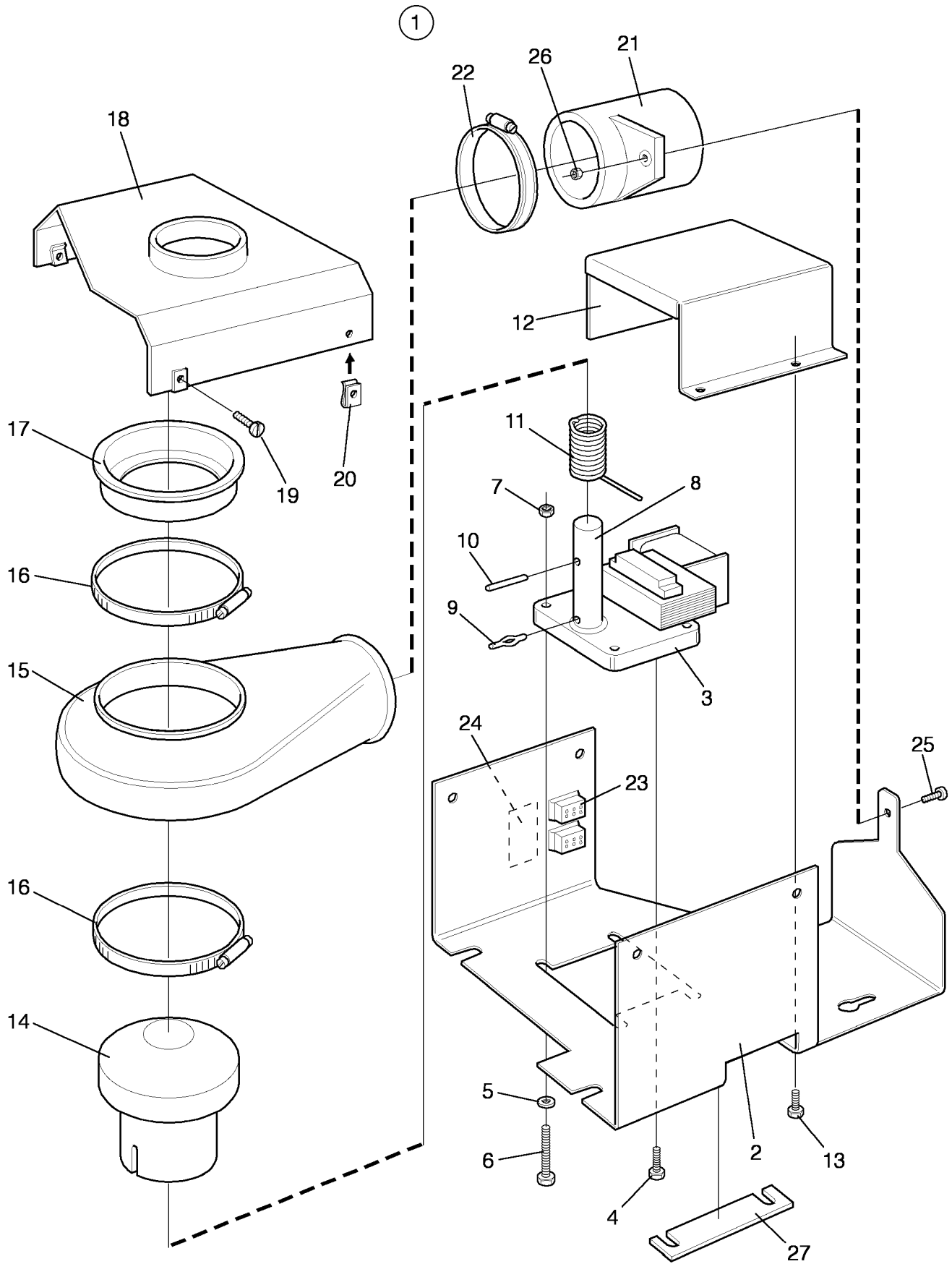
**WE55,WE55MP,WE56MP,HS 255,HS 255E,451E,452E****Detergent container and hoses**

Illustration Issue Month Year

Illustration Utgåva Månad År

**Tvättmedelslåda och slangar****101328 3 3 1995**

Item Pos.	Qua Ant.	Art.No Art.nr	Description	Benämning	Info Info	Notes Anmärkning
1	1		Detergent container	Tvättmedelsbehållare		-94/3927
2	1		Detergent container	Tvättmedelsbehållare		94/3928-
3	1	<b>438 5036-01</b>	Cover	Lock	3	-94/3927
4	RQ	<b>438 5129-01</b>	Spray head	Spridare	3	Black -94/3927
5	RQ	<b>438 5133-01</b>	Spray head	Spridare	3	White -94/3927
6	1	<b>471 6858-53</b>	Cover	Lock	3	-94/3927
7	RQ	<b>736 2816-51</b>	Hose clamp	Slangklämma	3	Ø13-19
8	RQ	<b>877 5211-08</b>	Hose	Slang	1	Per 1 m PER 1M
9	1	<b>438 5030-01</b>	Hose	Slang	1	-94/3927
10	1	<b>471 8141-01</b>	Hose	Slang	1	-94/3927
11	1	<b>736 2819-51</b>	Hose clamp	Slangklämma	3	-94/3927
12	1	<b>438 5191-01</b>	Hose	Slang	1	
13	1	<b>438 5038-01</b>	Hose	Slang	1	-94/3927
14	1	<b>438 5187-01</b>	Hose	Slang	1	94/3928-
15	1	<b>736 2843-51</b>	Hose clamp	Slangklämma	3	Ø63-73
16	1	<b>471 7871-08</b>	Hose clamp	Slangklämma	3	



101906

Issue	Month	Year
01	07	00



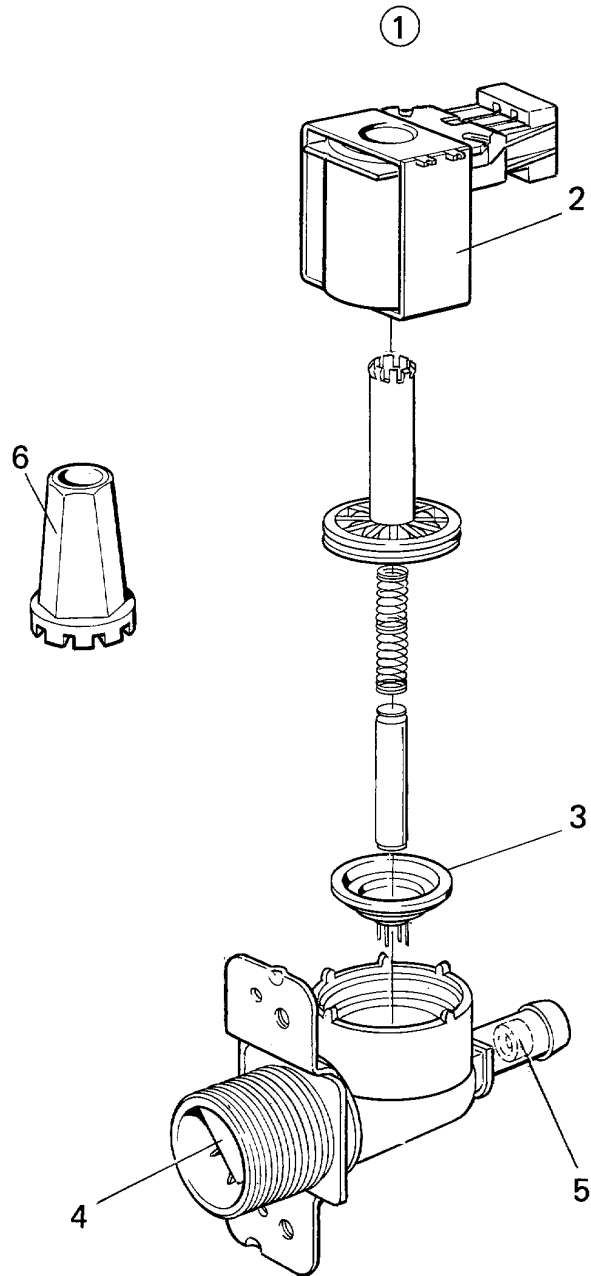
**WE55,WE55MP,WE56MP,HS 255,HS 255E,451E,452E**

**Electrical drain valve**

**Elektrisk avloppsventil**

Illustration Issue Month Year  
Illustration Utgåva Månad År  
**101906/1 4 11 1997**

Item Pos.	Qua Ant.	Art.No Art.nr	Description	Benämning	Info Info	Notes Anmärkning
1	1	472 8754-20	Drain valve	Avloppsventil	1,2	-95/8668
	1	472 8754-21	Drain valve	Avloppsventil	1,2	95/8669-
2	1	438 5181-01	•Bracket	•Konsol	3	-95/8668
	1	438 5181-02	•Bracket	•Konsol	3	95/8669-
3	1	471 9727-01	•Motor	•Motor	1,2	220V 50/60Hz
4	3	471 8341-22	•Screw	•Skruv	3	MRT 5X8
	4	471 8341-24	•Screw	•Skruv	3	M5X12
5	2	735 2146-01	•Washer	•Bricka	3	M5
6	1	471 8341-19	•Screw	•Skruv	3	M4X40
7	1	731 2312-01	•Nut	•Mutter	3	M4
8	1	472 6016-00	•Piston	•Kolvstång	1	
9	1	721 1252-35	•Pin	•Pinne	3	
10	1	472 6017-00	•Shaft	•Axel	3	
11	1	471 7804-01	•Torsion spring	•Vridfjäder	1	
12	1	438 5182-01	•Cover	•Skydd	3	-95/8668
	1	438 5182-02	•Cover	•Skydd	3	95/8669-
13	2	471 8340-12	•Screw	•Skruv	3	RTS 3,5X9,5
14	1	472 6015-00	•Piston	•Kolv	1	
15	1	472 6013-00	•Hose	•Slang	1	
16	2	736 2849-51	•Hose clamp	•Slangklämma	3	Ø77-93
17	1	472 6012-00	•Rubber ring	•Manschett	1,2	
18	1	438 5189-01	•Hose connection	•Slanganslutning	3	
19	4	471 8341-24	•Screw	•Skruv	3	M5X12
20	4	471 7864-02	•Clip	•Clips	3	M5
21	1	438 5020-02	•Distance piece	•Mellanstycke	3	
22	1	736 2840-51	•Hose clamp	•Slangklämma	3	Ø50-63
23	2	762 3131-01	•Insulator	•Isolator	3	
24	1	471 7691-01	•Sign	•Skylt	3	
25	1	471 8341-24	•Screw	•Skruv	3	M5X12
26	1	732 2114-01	•Locking nut	•Låsmutter	3	M5
27	4	438 5199-01	Washer	Mellanlägg	3	95/8669-



100799

Issue	Month	Year
01	12	89

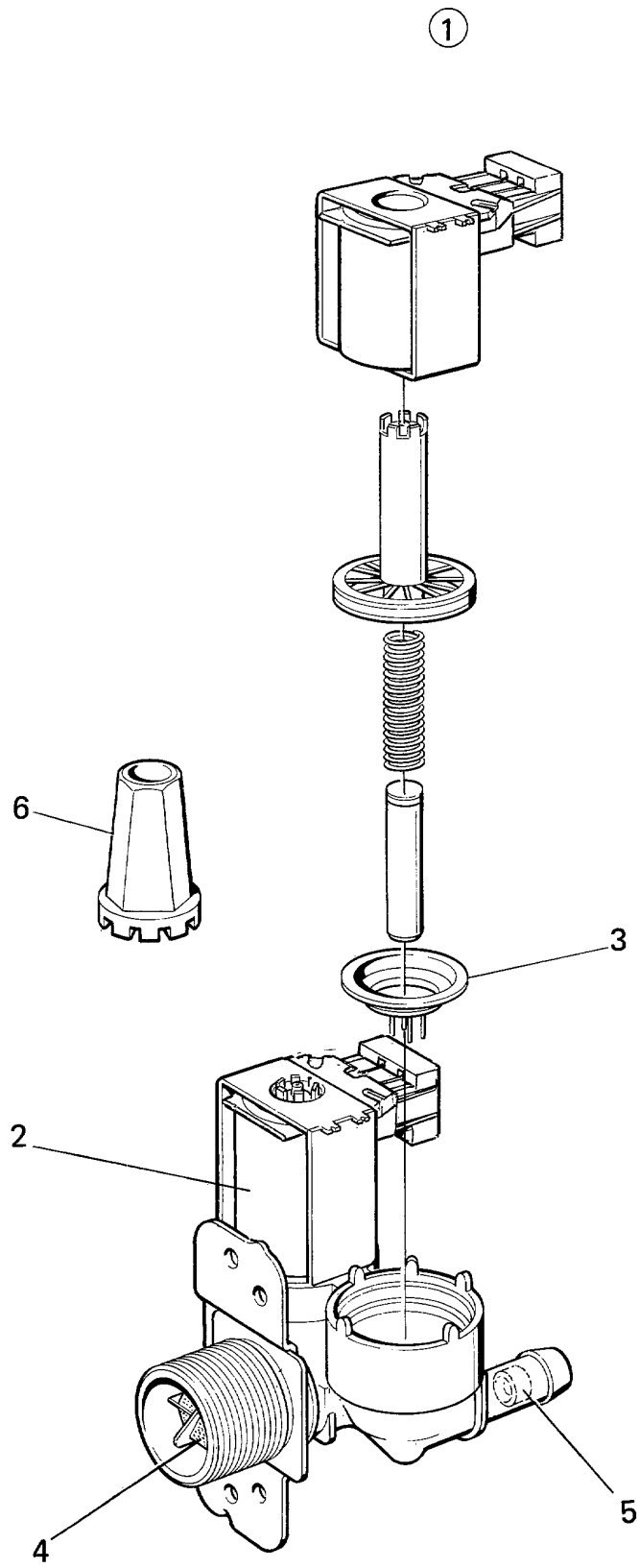
**WE55,WE55MP,WE56MP,HS 255,HS 255E,451E,452E**

**Inlet valve 3/4", 1-way**

**Tilloppsventil 3/4",1-vägs**

Illustration Issue Month Year  
Illustration Utgåva Månad År  
**100799/1 5 10 2002**

Item Pos.	Qua Ant.	Art.No Art.nr	Description	Benämning	Info Info	Notes Anmärkning
* 1	1	<b>471 8234-51</b>	Valve	Ventil	1,2	208-240V Restriction 5,5l/min
*	1	<b>471 8234-52</b>	Valve	Ventil	1,2	208-240V 60Hz
	1	<b>471 8234-53</b>	Valve	Ventil	1,2	120V 60Hz
*	1	<b>471 8234-56</b>	Valve	Ventil	1,2	208-240V Restriction 10l/min
*	1	<b>471 8234-58</b>	Valve	Ventil	1,2	208-240V
2	1	<b>471 6860-15</b>	•Coil	•Spole	1,2	120V Green
	1	<b>471 6860-16</b>	•Coil	•Spole	1,2	120V Orange
	1	<b>471 6860-17</b>	•Coil	•Spole	1,2	120V White
	1	<b>471 6860-18</b>	•Coil	•Spole	1,2	Green
	1	<b>471 6860-19</b>	•Coil	•Spole	1,2	Orange
	1	<b>471 6860-20</b>	•Coil	•Spole	1,2	White
3	1	<b>471 8234-98</b>	•Diaphragm	•Membran	1,2	NITRIL
	1	<b>471 8234-92</b>	•Diaphragm	•Membran	1,2	EPDM
4	1	<b>471 8234-94</b>	•Filter	•Filter	1	
5	1	<b>471 8234-95</b>	•Restrictor	•Strypbricka	3	2,5l/min
	1	<b>471 8234-96</b>	•Restrictor	•Strypbricka	3	5,5l/min
6	1	<b>471 4792-01</b>	Tool	Verktyg	3	



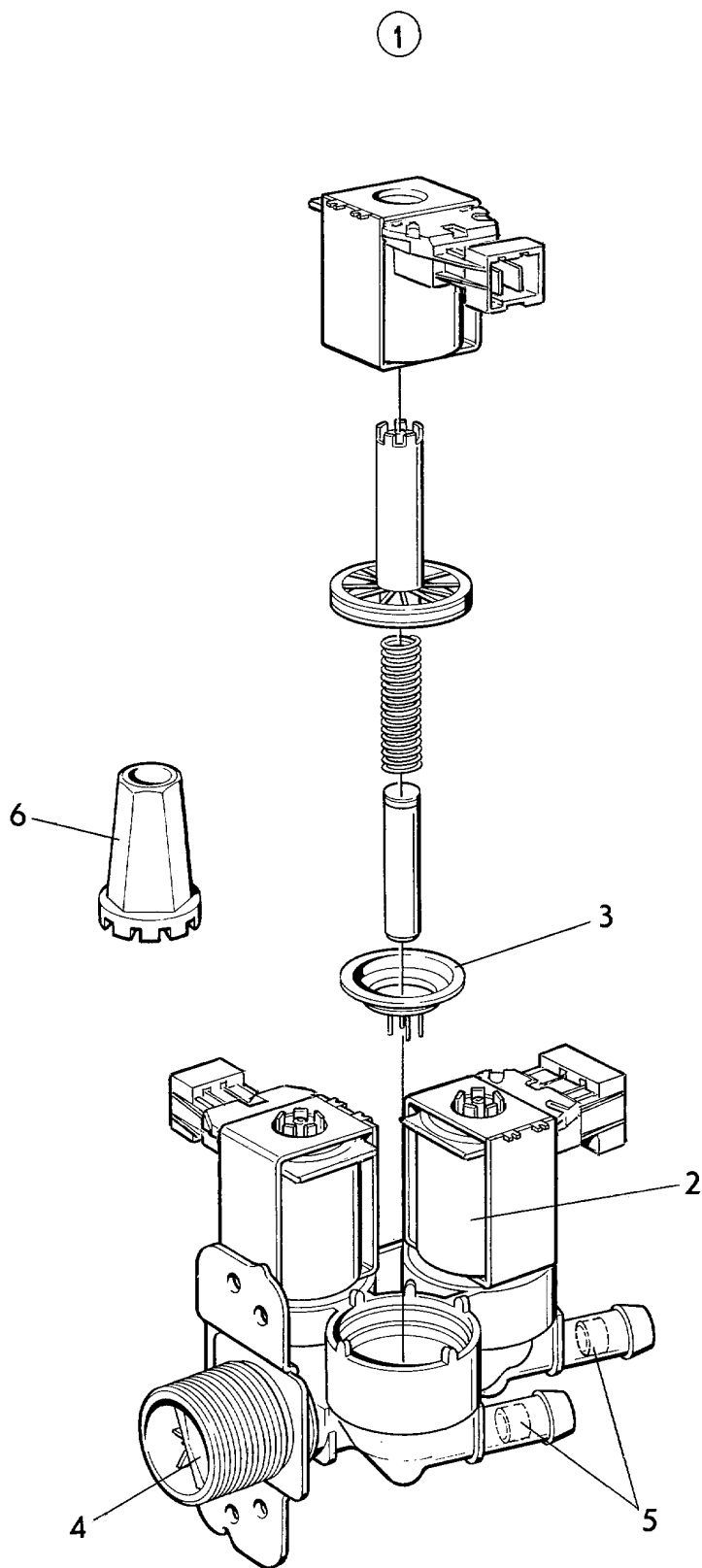
**WE55,WE55MP,WE56MP,HS 255,HS 255E,451E,452E**

**Inlet valve 3/4", 2-way**

**Tilloppsventil 3/4",2-vägs**

Illustration Issue Month Year  
Illustration Utgåva Månad År  
**100798/1 6 10 2002**

Item Pos.	Qua Ant.	Art.No Art.nr	Description	Benämning	Info Info	Notes Anmärkning
* 1	1	471 8235-51	Valve	Ventil	1,2	208-240V
	1	471 8235-54	Valve	Ventil	1,2	240V 60Hz 2-way USA
	1	471 8235-57	Valve	Ventil	1,2	120V 60Hz 2-way USA
	1	471 8235-59	Valve	Ventil	1,2	EPDM 208-240V 60Hz 2-way USA
*	1	471 8235-58	Valve	Ventil	1,2	208-240V
*	1	471 8235-60	Valve	Ventil	1,2	208-240V
*	1	471 8235-62	Valve	Ventil	1,2	208-240V
2	1	471 6860-15	•Coil	•Spole	1,2	120V Green
	1	471 6860-16	•Coil	•Spole	1,2	120V Orange
	1	471 6860-17	•Coil	•Spole	1,2	120V White
	1	471 6860-18	•Coil	•Spole	1,2	Green
	1	471 6860-19	•Coil	•Spole	1,2	Orange
	1	471 6860-20	•Coil	•Spole	1,2	White
3	1	471 8234-98	•Diaphragm	•Membran	1,2	NITRIL
	1	471 8234-92	•Diaphragm	•Membran	1,2	EPDM
4	1	471 8234-94	•Filter	•Filter	1	
5	1	471 8234-95	•Restrictor	•Strypbricka	3	2,5l/min
	1	471 8234-96	•Restrictor	•Strypbricka	3	5,5l/min
6	1	471 4792-01	Tool	Verktyg	3	



**WE55,WE55MP,WE56MP,HS 255,HS 255E,451E,452E**

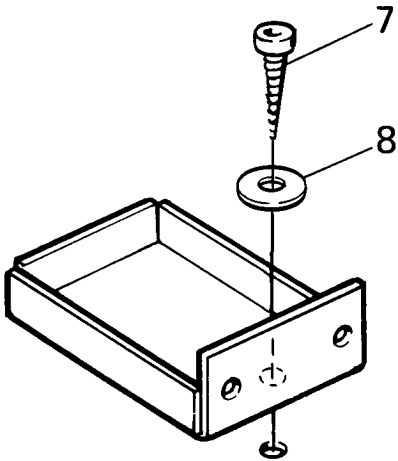
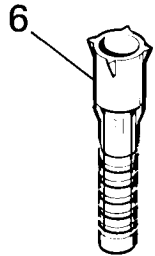
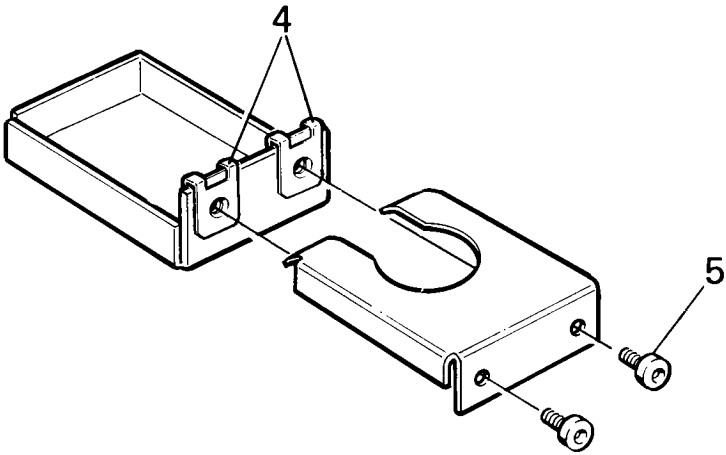
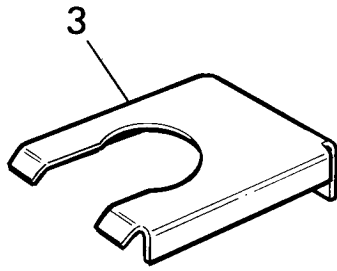
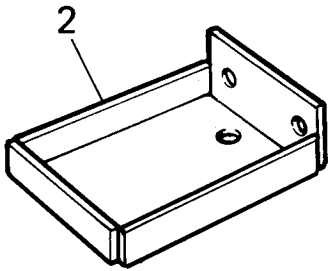
**Inlet valve 3/4", 3-way**

**Tilloppsventil 3/4",3-vägs**

Illustration Issue Month Year  
Illustration Utgåva Månad År  
**100797/1 7 10 2002**

Item Pos.	Qua Ant.	Art.No Art.nr	Description	Benämning	Info Info	Notes Anmärkning
* 1	1	471 8236-52	Valve	Ventil	1,2	208-240V Restriction 5,5/-/l/min
*	1	471 8236-56	Valve	Ventil	1,2	208-240V
*	1	471 8236-60	Valve	Ventil	1,2	208-240V Restriction 5,5/10/10 l/min
*	1	471 8236-62	Valve	Ventil	1,2	208-240V Restriction 5,5/8/8 l/min
*	1	471 8236-64	Valve	Ventil	1,2	208-240V Restriction -/5,5 l/min
*	1	471 8236-57	Valve	Ventil	1,2	208-240V
*	1	471 8236-68	Valve	Ventil	1,2	208-240V IN 20L/MIN,OUT 2,5L/MIN
	1	471 8236-66	Valve	Ventil	1,2	EPDM 2, 120V 60Hz 3-way
	1	471 8236-65	Valve	Ventil	1,2	EPDM 2, 240V 60Hz 3-way
2	1	471 6860-15	•Coil	•Spole	1,2	120V Green
	1	471 6860-16	•Coil	•Spole	1,2	120V Orange
	1	471 6860-17	•Coil	•Spole	1,2	120V White
	1	471 6860-18	•Coil	•Spole	1,2	Green
	1	471 6860-19	•Coil	•Spole	1,2	Orange
	1	471 6860-20	•Coil	•Spole	1,2	White
3	1	471 8234-98	•Diaphragm	•Membran	1,2	NITRIL
	1	471 8234-92	•Diaphragm	•Membran	1,2	EPDM USA
4	1	471 8234-94	•Filter	•Filter	1	
5	1	471 8234-95	•Restrictor	•Strypbricka	3	2,5l/min
	1	471 8234-96	•Restrictor	•Strypbricka	3	5,5l/min
6	1	471 4792-01	Tool	Verktyg	3	

1





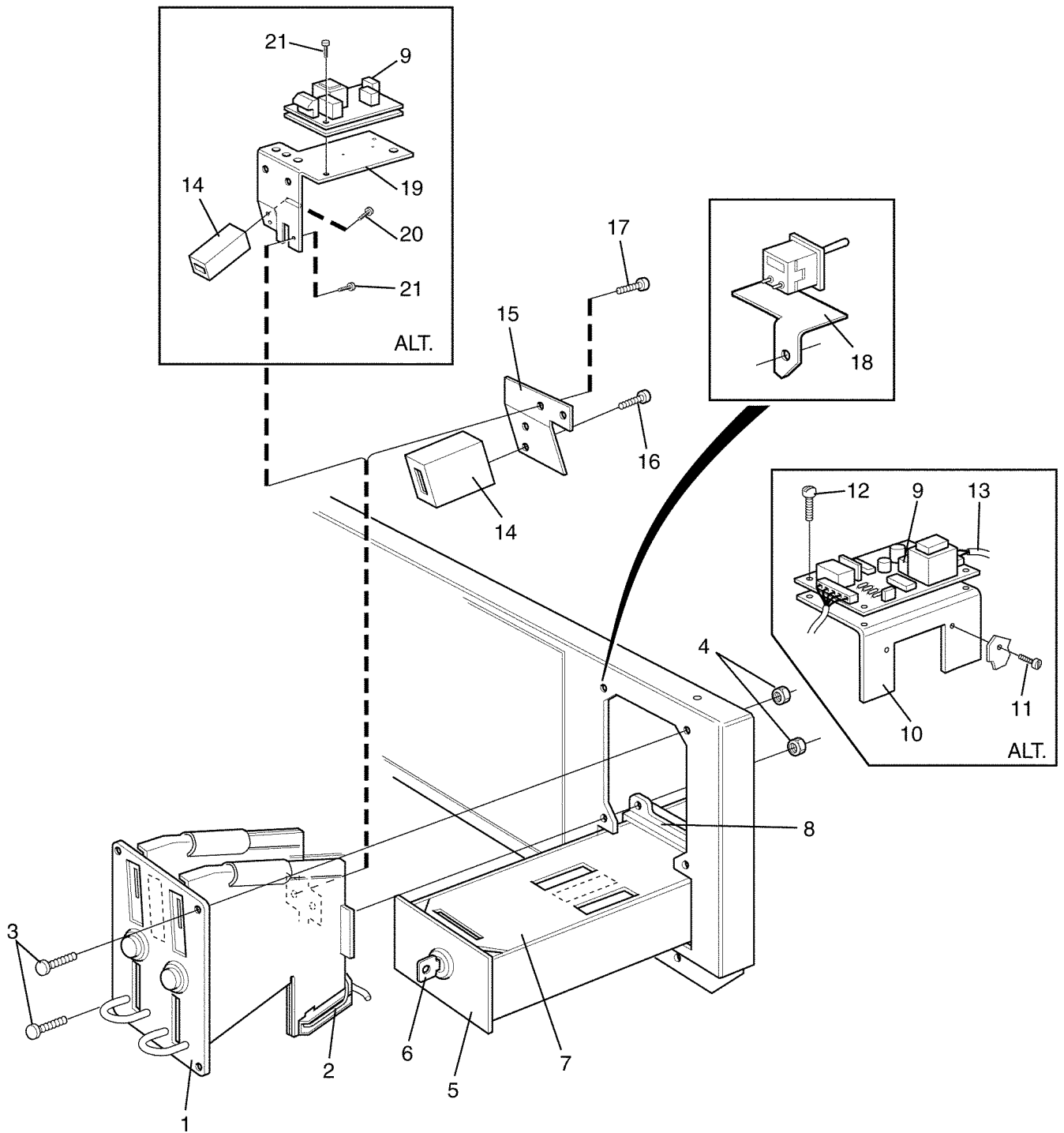
**WE55,WE55MP,WE56MP,HS 255,HS 255E,451E,452E**

**Tilt protection**

**Tippskydd**

Illustration Issue Month Year  
Illustration Utgåva Månad År  
**101195 2 1 1995**

Item Pos.	Qua Ant.	Art.No Art.nr	Description	Benämning	Info Info	Notes Anmärkning
<b>1</b>	1	<b>472 9903-42</b>	Kit	Kit	1	
<b>2</b>	4	<b>438 5172-01</b>	•Cup	•Kopp	3	
<b>3</b>	2	<b>438 5171-01</b>	•Cover	•Skydd	3	
<b>4</b>	4	<b>471 7864-02</b>	•Clip	•Clips	3	M5
<b>5</b>	4	<b>471 8344-24</b>	•Screw	•Skruv	3	M5X12
<b>6</b>	4	<b>471 8370-02</b>	•Plug	•Plugg	3	
<b>7</b>	4	<b>471 8340-59</b>	•Screw	•Skruv	3	RTS 6,3X50
<b>8</b>	4	<b>734 1153-09</b>	•Washer	•Bricka	3	BRB 6,4X12



100666

Issue	Month	Year
02	04	00

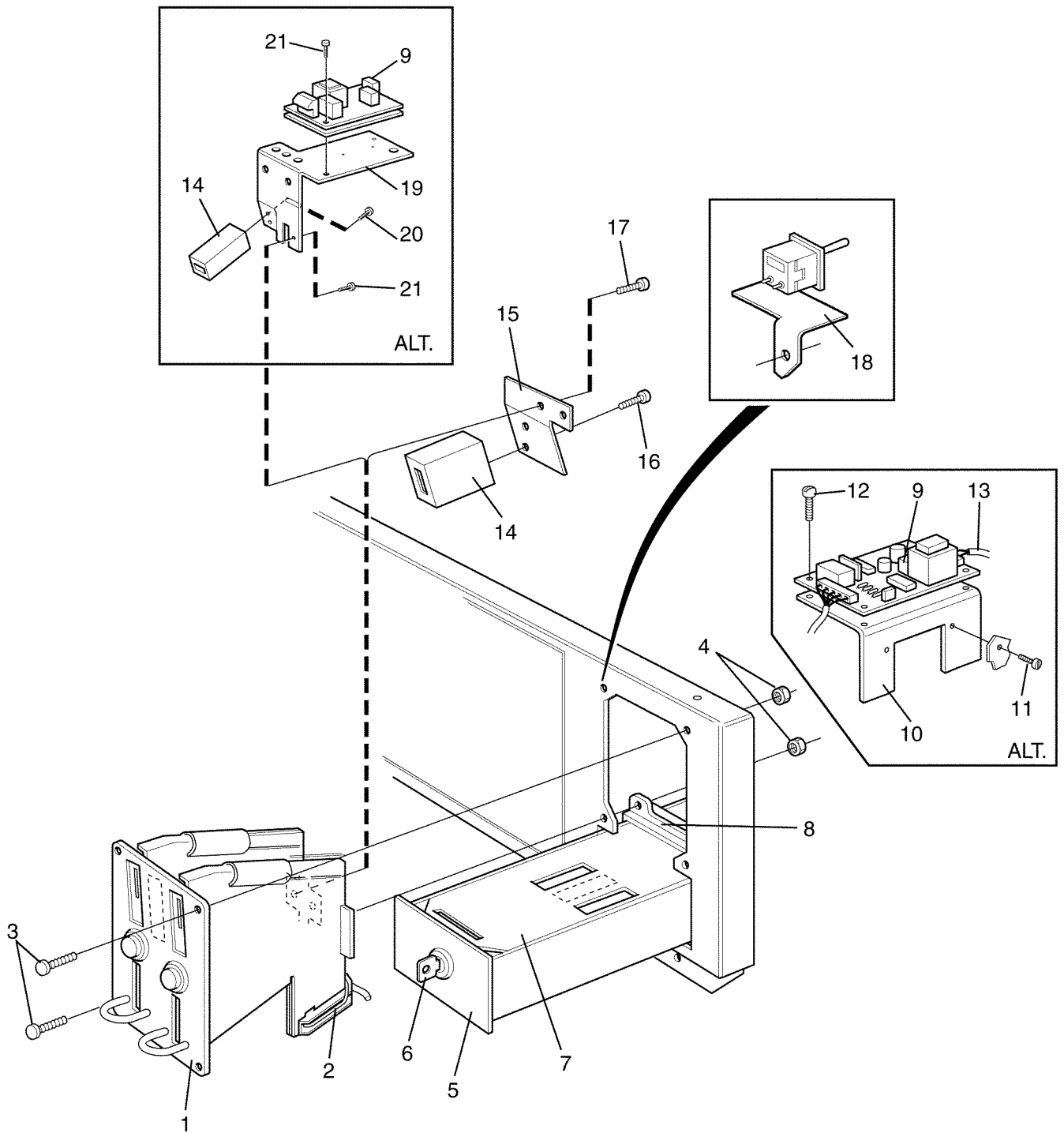
**WE55,WE55MP,WE56MP,HS 255,HS 255E,451E,452E**

**Electronic coin meter**

**Elektronisk myntmätare**

Illustration Issue Month Year  
Illustration Utgåva Månad År  
**100666/2 10 11 2002**

Item Pos.	Qua Ant.	Art.No Art.nr	Description	Benämning	Info Info	Notes Anmärkning
<b>1</b>	1	<b>471 8910-02</b>	Coin meter	Myntmätare	3	1 COIN, 1 SEK/NKR
	1	<b>471 8910-03</b>	Coin meter	Myntmätare	3	1 COIN, 1 DKR
	1	<b>471 8910-04</b>	Coin meter	Myntmätare	3	1 COIN, 5 NKR
	1	<b>471 8910-07</b>	Coin meter	Myntmätare	3	1 COIN, 100 YEN
	1	<b>471 8910-08</b>	Coin meter	Myntmätare	3	1 TOKEN 22,5X1,5 MM
	1	<b>471 8910-09</b>	Coin meter	Myntmätare	3	1 TOKEN, 22,35X1,6 MM
	1	<b>471 8910-11</b>	Coin meter	Myntmätare	3	1 TOKEN, 26,0X2,1 MM
	1	<b>471 8910-12</b>	Coin meter	Myntmätare	3	1 COIN, 10 DKR
	1	<b>471 8910-17</b>	Coin meter	Myntmätare	3	1 TOKEN, 19,0X1,0 MM
	1	<b>471 8910-20</b>	Coin meter	Myntmätare	3	1 TOKEN, 25,7X1,6 MM
	1	<b>471 8910-21</b>	Coin meter	Myntmätare	3	1 TOKEN, 24,3X1,5 MM
	1	<b>471 8910-26</b>	Coin meter	Myntmätare	3	1 TOKEN, 24,4X1,7 MM
	1	<b>471 8910-25</b>	Coin meter	Myntmätare	3	1 TOKEN, 19,0X1,5 MM
	1	<b>471 8910-89</b>	Coin meter	Myntmätare	3	1 TOKEN, NYBORG 22,5X2,0
	1	<b>471 8910-06</b>	Coin meter	Myntmätare	3	1 BATAK P
	1	<b>471 8910-27</b>	Coin meter	Myntmätare	3	5 DKR
	1	<b>471 8910-85</b>	Coin meter	Myntmätare	3	5 DKR NEW
	1	<b>471 8910-29</b>	Coin meter	Myntmätare	3	50 CENT MALAYSIA
	1	<b>471 8910-33</b>	Coin meter	Myntmätare	3	1 RAND
	1	<b>471 8910-35</b>	Coin meter	Myntmätare	3	1 IKR
	1	<b>471 8910-36</b>	Coin meter	Myntmätare	3	5 SEK
	1	<b>471 8910-37</b>	Coin meter	Myntmätare	3	50 NEW CENT SINGAPORE
	1	<b>471 8910-38</b>	Coin meter	Myntmätare	3	25 CENT US
	1	<b>471 8910-58</b>	Coin meter	Myntmätare	3	1 DOLLAR MACAU
	1	<b>471 8910-62</b>	Coin meter	Myntmätare	3	1 WON KOREA
	1	<b>471 8910-70</b>	Coin meter	Myntmätare	3	25 CENT CDN
	1	<b>471 8910-73</b>	Coin meter	Myntmätare	3	5 DOLLAR HONG KONG
	1	<b>471 8910-74</b>	Coin meter	Myntmätare	3	10 DOLLAR TAIWAN
	1	<b>471 8910-79</b>	Coin meter	Myntmätare	3	10 DKR
	1	<b>471 8910-10</b>	Coin meter	Myntmätare	3	1 TOKEN, 24,3X1,5 MM
	1	<b>471 8910-13</b>	Coin meter	Myntmätare	3	1 TOKEN, 28,8X1,9 MM
	1	<b>471 8910-14</b>	Coin meter	Myntmätare	3	1 TOKEN, 23,5X1,7 MM
	1	<b>471 8910-15</b>	Coin meter	Myntmätare	3	1 TOKEN, 27,4X1,6 MM
	1	<b>471 8910-16</b>	Coin meter	Myntmätare	3	1 TOKEN, 25,8X1,7 MM
	1	<b>471 8910-22</b>	Coin meter	Myntmätare	3	1 TOKEN 22,0X1,5 MM
	1	<b>471 8910-30</b>	Coin meter	Myntmätare	3	1 TOKEN 21,0X1,85 MM
	1	<b>471 8910-31</b>	Coin meter	Myntmätare	3	1 TOKEN 23,1X1,1 MM EL-COIN
	1	<b>471 8910-34</b>	Coin meter	Myntmätare	3	1 TOKEN 24,3X1,5 MM SPORRONG
	1	<b>471 8910-39</b>	Coin meter	Myntmätare	3	1 TOKEN 23,7X1,6 MM
	1	<b>471 8910-57</b>	Coin meter	Myntmätare	3	1 TOKEN, MÜLLER, 25,2 MM
	1	<b>471 8910-59</b>	Coin meter	Myntmätare	3	1 TOKEN, MICROMATIC 24, 4X1,8
	1	<b>471 8910-92</b>	Coin meter	Myntmätare	3	1 TOKEN 25,0X1,85 MM EL-COIN 2KWH
	1	<b>471 8910-93</b>	Coin meter	Myntmätare	3	1 TOKEN 23,8X1,8 MM EL-COIN 1KWH
	1	<b>471 8910-24</b>	Coin meter	Myntmätare	3	1 TOKEN 25,0X1,8 MM SAB
	1	<b>471 8910-41</b>	Coin meter	Myntmätare	3	2 COINS, 10+25 CENT US
	1	<b>471 8910-42</b>	Coin meter	Myntmätare	3	2 COINS, 10+50 NEW PENCE GB
	1	<b>471 8910-43</b>	Coin meter	Myntmätare	3	2 COINS 1+5 DKR
	1	<b>471 8910-86</b>	Coin meter	Myntmätare	3	2 COINS 1+5 DKR NEW
	1	<b>471 8910-44</b>	Coin meter	Myntmätare	3	2 COINS, 1+5 NKR
	1	<b>471 8910-45</b>	Coin meter	Myntmätare	3	2 COINS, 1+10 NKR
	1	<b>471 8910-48</b>	Coin meter	Myntmätare	3	2 COINS, 25+25 CENT US
1	<b>471 8910-49</b>	Coin meter	Myntmätare	3	2 COINS 5+10 NKR	
1	<b>471 8910-51</b>	Coin meter	Myntmätare	3	2 COINS, 50+10 YEN	



100666

Issue	Month	Year
02	04	00

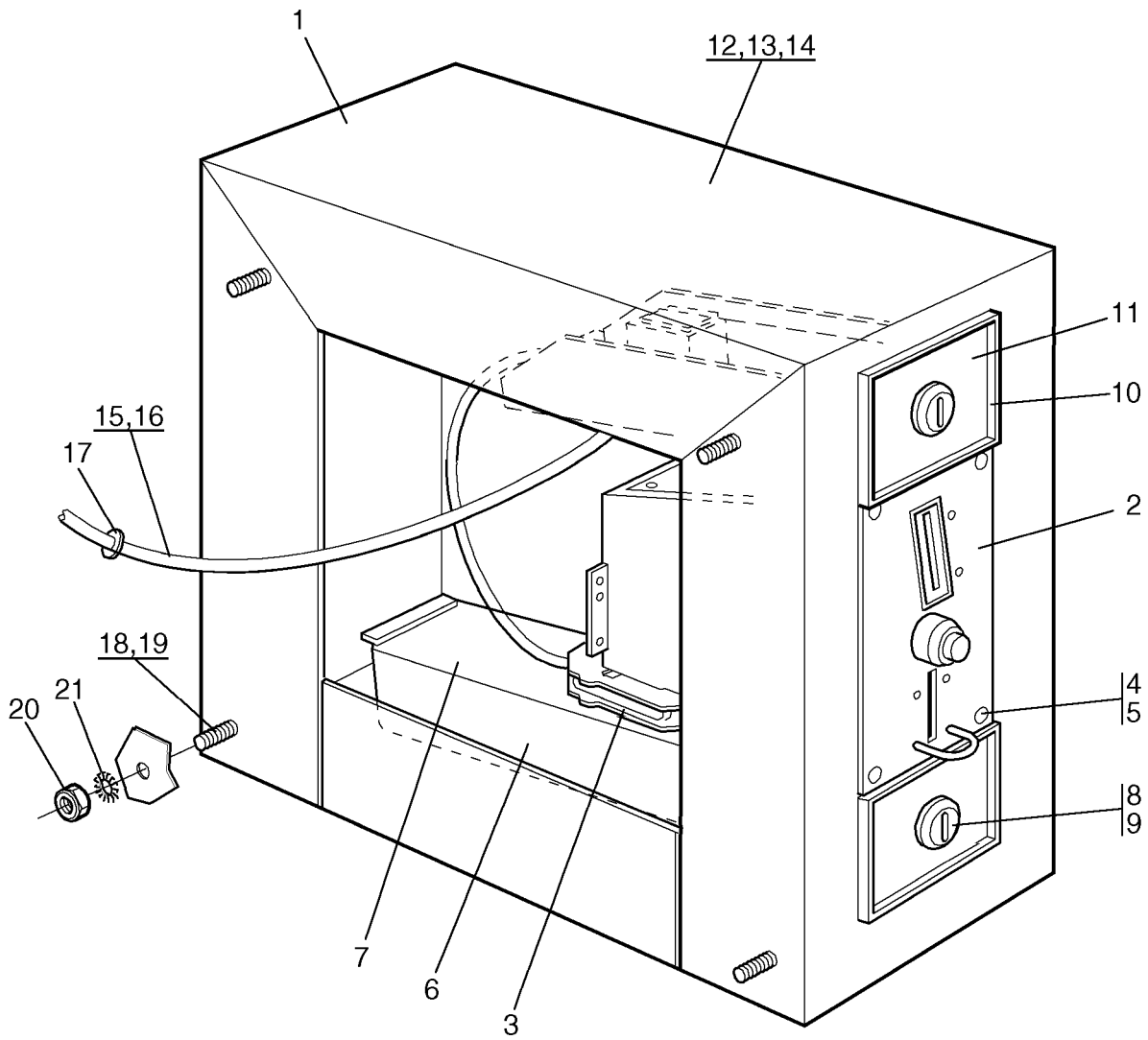
**WE55,WE55MP,WE56MP,HS 255,HS 255E,451E,452E**

**Electronic coin meter**

**Elektronisk myntmätare**

Illustration Issue Month Year  
Illustration Utgåva Månad År  
**100666/2 10 11 2002**

Item Pos.	Qua Ant.	Art.No Art.nr	Description	Benämning	Info Info	Notes Anmärkning
	1	<b>471 8910-54</b>	Coin meter	Myntmätare	3	2 COINS, 1+5 SEK
	1	<b>471 8910-55</b>	Coin meter	Myntmätare	3	2 COINS, 10 PENCE+1£ GB
	1	<b>471 8910-56</b>	Coin meter	Myntmätare	3	2 COINS, 20+50 PENCE GB
	1	<b>471 8910-66</b>	Coin meter	Myntmätare	3	2 COINS, 20 PENCE+1£ GB
	1	<b>471 8910-75</b>	Coin meter	Myntmätare	3	50 PENCE+1£ GB
	1	<b>471 8910-77</b>	Coin meter	Myntmätare	3	2 COINS, 5+10 DKR
	1	<b>471 8910-87</b>	Coin meter	Myntmätare	3	2 COINS 5+10 DKR NEW
	1	<b>471 8910-81</b>	Coin meter	Myntmätare	3	2 COINS, 1+10 DKR
	1	<b>471 8910-82</b>	Coin meter	Myntmätare	3	2 COINS 5+10 NKR
*	1	<b>471 8910-84</b>	Coin meter	Myntmätare	3	2 COINS, 100+500 YEN
*	1	<b>471 8919-01</b>	Coin meter	Myntmätare	3	2 coins, 100+500 Yen
<b>2</b>	2	<b>471 8910-91</b>	Sensor	Avkännare	1,2	
<b>3</b>	4	<b>471 8910-90</b>	Screw	Skruv	3	
<b>4</b>	4	<b>731 2312-01</b>	Nut	Mutter	3	M4
<b>5</b>	1	<b>471 4591-01</b>	Coin box	Myntlåda	3	Complete
<b>6</b>	1	<b>471 7829-01</b>	Lock	Lås	1	
<b>7</b>	1	<b>471 4592-01</b>	Cover	Lock	3	
	1	<b>471 4592-02</b>	Cover	Lock	3	
<b>8</b>	1	<b>471 4596-01</b>	Frame	Ram	3	
<b>9</b>	1	<b>471 8966-01</b>	Counter	Räkneenhet	1	1 Coin
	1	<b>471 8966-02</b>	Counter	Räkneenhet	1	2 Coins
	1	<b>471 8966-03</b>	Counter	Räkneenhet	1	120V ET-1311, 1 COIN
	1	<b>471 8966-04</b>	Counter	Räkneenhet	1	120V ET-1312, 2 COINS
	1	<b>471 8966-05</b>	Counter	Räkneenhet	1	220V ET-1312/2, 2 COINS
	1	<b>471 8966-06</b>	Counter	Räkneenhet	1	120V ET-1312/2, 2 COINS
	1	<b>471 8966-07</b>	Counter	Räkneenhet	1	220V ET-1312/3, 2 COINS
<b>10</b>	1	<b>471 4707-01</b>	Bracket	Konsol	3	OLD DESIGN
<b>11</b>	2	<b>725 2289-61</b>	Screw	Skruv	3	M4X10
<b>12</b>	1	<b>471 4878-26</b>	Cable set	Ledningssats	3	1 COIN
	1	<b>471 4878-24</b>	Cable set	Ledningssats	3	2 COINS
<b>13</b>	1	<b>471 4878-25</b>	Connection	Anslutning	3	
<b>14</b>	1	<b>472 7744-01</b>	Coin counter	Mynträknare	1	220V
<b>15</b>	1	<b>471 4763-01</b>	Bracket	Fäste	3	
<b>16</b>	2	<b>724 1218-01</b>	Screw	Skruv	3	MRX 3X4
<b>17</b>	2	<b>729 5225-01</b>	Screw	Skruv	3	RXS B4X9,5
<b>18</b>	1	<b>471 4766-01</b>	Switch	Brytare	3	COMPL.GEN II
	1	<b>471 4766-02</b>	Switch	Brytare	3	COMPL.GEN III
<b>19</b>	1	<b>438 0286-01</b>	Bracket	Konsol	3	
<b>20</b>	2	<b>724 1218-01</b>	Screw	Skruv	3	MRX 3X4
<b>21</b>	3	<b>724 1226-61</b>	Screw	Skruv	3	M3X12



100786

Issue	Month	Year
01	12	89

**WE55,WE55MP,WE56MP,HS 255,HS 255E,451E,452E**

**Coin meter**

**Myntmätare**

Illustration Issue Month Year  
Illustration Utgåva Månad År  
**100786 2 6 1995**

Item Pos.	Qua Ant.	Art.No Art.nr	Description	Benämning	Info Info	Notes Anmärkning
<b>1</b>	1	<b>438 4016-05</b>	Coin cassette	Myntkassett	3	Red MP
	1	<b>438 4016-06</b>	Coin cassette	Myntkassett	3	Yellow MP
	1	<b>438 4016-07</b>	Coin cassette	Myntkassett	3	Beige MP
	1	<b>438 4016-08</b>	Coin cassette	Myntkassett	3	White MP
	1	<b>438 4016-01</b>	Coin cassette	Myntkassett	3	Red
	1	<b>438 4016-02</b>	Coin cassette	Myntkassett	3	Yellow
	1	<b>438 4016-03</b>	Coin cassette	Myntkassett	3	Beige
<b>2</b>	1		Coin meter	Myntmätare	3	See group 8511
<b>3</b>	1	<b>471 8910-91</b>	Sensor	Avkännare	1,2	
<b>4</b>	4	<b>471 8910-90</b>	Screw	Skruv	3	
<b>5</b>	4	<b>731 2312-01</b>	Nut	Mutter	3	M4
<b>6</b>	1	<b>471 4592-01</b>	Cover	Lock	3	
<b>7</b>	1	<b>471 4592-01</b>	Cover	Lock	3	
<b>8</b>	2	<b>471 7829-01</b>	Lock	Lås	1	
<b>9</b>	2	<b>471 7826-99</b>	Nut	Mutter	3	
<b>10</b>	2	<b>471 4596-01</b>	Frame	Ram	3	
<b>11</b>	1	<b>472 6723-01</b>	Box	Box	3	
<b>12</b>	1	<b>471 8966-11</b>	Counter	Räkneenhet	1	1 Coin
	1	<b>471 8966-12</b>	Counter	Räkneenhet	1	2 Coins
	1	<b>471 8966-15</b>	Counter	Räkneenhet	1	220V ET-1312/2, 2 COINS
<b>13</b>	2	<b>724 1224-01</b>	Screw	Skruv	3	MRX 3X10
<b>14</b>	2	<b>732 2110-01</b>	Locking nut	Låsmutter	3	M3
<b>15</b>	1	<b>438 5450-72</b>	Cables	Kablage	3	MP
<b>16</b>	1	<b>762 9102-05</b>	Cable tie	Buntband	3	
<b>17</b>	1	<b>471 8164-02</b>	Grommet	Kabelgenomföring	3	
<b>18</b>	3	<b>725 2449-51</b>	Screw	Skruv	3	M8X16
<b>19</b>	3	<b>735 1164-01</b>	Spring washer	Fjäderbricka	3	
<b>20</b>	3	<b>732 2118-01</b>	Locking nut	Låsmutter	3	M8
<b>21</b>	3	<b>735 2164-01</b>	Washer	Bricka	3	AZ 8,4





Numerical index/Nummerregister

Art.No/Art.nr	Page/Sida	Art.No/Art.nr	Page/Sida	Art.No/Art.nr	Page/Sida	Art.No/Art.nr	Page/Sida
124 0069-22	25	438 4062-01	15	438 5082-05	43	438 5163-03	11
438 0027-01	13	438 5016-01	39	438 5082-06	43	438 5163-04	9
438 0040-01	19	438 5017-01	39	438 5082-10	43	438 5163-04	11
438 0051-01	39	438 5018-01	35	438 5083-10	11	438 5163-05	9
438 0052-01	39	438 5020-01	13	438 5083-10	23	438 5163-05	11
438 0053-01	39	438 5020-02	49	438 5083-11	11	438 5171-01	57
438 0054-01	39	438 5021-01	13	438 5083-11	23	438 5172-01	57
438 0055-01	39	438 5022-01	35	438 5084-01	11	438 5174-01	13
438 0056-01	37	438 5023-01	35	438 5084-01	23	438 5175-01	13
438 0076-01	19	438 5024-01	35	438 5085-01	23	438 5176-01	25
438 0093-02	13	438 5025-01	35	438 5088-02	11	438 5177-01	45
438 0093-02	39	438 5026-01	35	438 5104-01	19	438 5181-01	49
438 0286-01	61	438 5030-01	47	438 5104-01	21	438 5181-02	49
438 2810-01	19	438 5031-01	37	438 5104-02	19	438 5182-01	49
438 2810-02	21	438 5032-01	35	438 5104-02	21	438 5182-02	49
438 2810-03	19	438 5034-01	35	438 5105-01	7	438 5184-01	45
438 2810-04	21	438 5036-01	47	438 5105-01	19	438 5186-01	19
438 2810-05	19	438 5038-01	47	438 5108-03	7	438 5186-01	21
438 2810-06	21	438 5039-01	35	438 5109-02	7	438 5186-02	19
438 2810-07	19	438 5040-01	13	438 5109-02	11	438 5186-02	21
438 2810-08	19	438 5042-11*	15	438 5110-01	41	438 5187-01	47
438 2810-09	19	438 5042-11*	17	438 5110-01	43	438 5189-01	49
438 2810-10	21	438 5050-01	25	438 5111-01	9	438 5191-01	47
438 2810-11	21	438 5051-01	15	438 5112-01	9	438 5193-01	29
438 2810-12	21	438 5051-10	15	438 5114-01	7	438 5197-01	13
438 2810-13	21	438 5051-51	17	438 5114-01	11	438 5199-01	49
438 2810-14	21	438 5052-01	15	438 5115-01	25	438 5232-01	27
438 2810-20	21	438 5052-01	17	438 5117-01	25	438 5300-28	27
438 2810-21	21	438 5053-01	15	438 5118-01	25	438 5450-01	31
438 2920-01	19	438 5053-01	17	438 5119-02	25	438 5450-10	31
438 2920-03	19	438 5054-01	15	438 5123-01	13	438 5450-11	31
438 2921-01	19	438 5054-02	17	438 5124-01	13	438 5450-13	31
438 2922-01	19	438 5055-01	15	438 5124-02	13	438 5450-16	31
438 2922-02	19	438 5055-01	17	438 5127-01	25	438 5450-17	31
438 3030-42	31	438 5055-02	15	438 5129-01	47	438 5450-18	33
438 3082-07	33	438 5055-02	17	438 5133-01	47	438 5450-19	33
438 3082-13	33	438 5056-01	15	438 5137-02	25	438 5450-20	31
438 3082-16	31	438 5057-01	15	438 5137-04	25	438 5450-23	31
438 3082-31	31	438 5058-01	25	438 5138-01	19	438 5450-23	33
438 3082-58	33	438 5060-01	15	438 5138-01	21	438 5450-25	33
438 3083-03	31	438 5060-01	17	438 5138-01	23	438 5450-26	33
438 3084-05	31	438 5061-01	25	438 5138-02	19	438 5450-30	31
438 3084-06	31	438 5062-01	15	438 5138-02	21	438 5450-32	33
438 3084-06	33	438 5062-01	17	438 5138-02	23	438 5450-40	31
438 3084-07	31	438 5063-01	15	438 5139-01	41	438 5450-41	31
438 3084-08	33	438 5067-03	17	438 5139-02	41	438 5450-41	33
438 3086-04	33	438 5067-04	17	438 5143-01	13	438 5450-51	31
438 3086-10	31	438 5072-01	43	438 5143-03	13	438 5450-51	33
438 3086-11	31	438 5073-01	19	438 5146-01	13	438 5450-72	63
438 3086-12	31	438 5074-01	21	438 5150-01	27	438 5460-01	27
438 3087-04	31	438 5075-01	17	438 5151-01	9	438 5462-01	27
438 3087-05	33	438 5076-01	17	438 5151-01	11	438 5465-01	27
438 3088-02	31	438 5077-01	17	438 5152-01	21	438 5465-01	29
438 3088-03	31	438 5078-01	17	438 5154-01	21	438 5465-02	27
438 3088-04	31	438 5081-02	7	438 5154-01	23	438 5465-02	29
438 3089-04	31	438 5081-02	11	438 5155-01	21	438 5478-03	13
438 3089-05	31	438 5081-11	7	438 5156-01	29	438 5478-11	13
438 3089-06	31	438 5081-11	11	438 5157-01	33	438 9636-02	27
438 3092-01	31	438 5081-12	7	438 5160-01	25	438 9636-02	29
438 4016-01	63	438 5081-12	11	438 5162-01	27	438 9636-03	27
438 4016-02	63	438 5081-13	7	438 5162-01	29	438 9636-03	29
438 4016-03	63	438 5081-13	11	438 5163-01	9	471 2401-52	35
438 4016-05	63	438 5081-14	7	438 5163-01	11	471 2425-28	35
438 4016-06	63	438 5081-14	11	438 5163-02	9	471 2436-10	35
438 4016-07	63	438 5081-15	7	438 5163-02	11	471 2437-15	27
438 4016-08	63	438 5081-15	11	438 5163-03	9	471 2437-15	29

Numerical index/Nummerregister

Art.No/Art.nr	Page/Sida	Art.No/Art.nr	Page/Sida	Art.No/Art.nr	Page/Sida	Art.No/Art.nr	Page/Sida
471 4494-01	25	471 7871-07	35	471 8317-06	25	471 8910-14	59
471 4591-01	61	471 7871-08	47	471 8326-01	15	471 8910-15	59
471 4592-01	61	471 7872-02	35	471 8326-01	17	471 8910-16	59
471 4592-01	63	471 7874-01	35	471 8327-02	17	471 8910-17	59
471 4592-02	61	471 7958-01	27	471 8340-12	49	471 8910-20	59
471 4596-01	61	471 7958-02	29	471 8340-26	21	471 8910-21	59
471 4596-01	63	471 8139-01	35	471 8340-26	23	471 8910-22	59
471 4707-01	61	471 8139-03	35	471 8340-59	57	471 8910-24	59
471 4763-01	61	471 8139-09	35	471 8341-11	27	471 8910-25	59
471 4766-01	61	471 8141-01	47	471 8341-11	29	471 8910-26	59
471 4766-02	61	471 8142-03	35	471 8341-15	17	471 8910-27	59
471 4792-01	37	471 8149-01	13	471 8341-19	49	471 8910-29	59
471 4792-01	51	471 8149-11	13	471 8341-22	49	471 8910-30	59
471 4792-01	53	471 8164-00	19	471 8341-24	49	471 8910-31	59
471 4792-01	55	471 8164-02	63	471 8342-13	27	471 8910-33	59
471 4878-24	61	471 8192-01	25	471 8344-15	43	471 8910-34	59
471 4878-25	61	471 8194-01	13	471 8344-24	15	471 8910-35	59
471 4878-26	61	471 8195-01	39	471 8344-24	17	471 8910-36	59
471 6858-53	47	471 8196-01	7	471 8344-24	57	471 8910-37	59
471 6858-64	41	471 8196-01	9	471 8356-01	13	471 8910-38	59
471 6858-65	41	471 8196-01	11	471 8357-01	25	471 8910-39	59
471 6858-68	35	471 8196-01	27	471 8358-01	25	471 8910-41	59
471 6858-82	35	471 8199-01	37	471 8358-02	25	471 8910-42	59
471 6858-84	35	471 8234-51*	51	471 8367-01	25	471 8910-43	59
471 6858-85	35	471 8234-52*	51	471 8370-02	57	471 8910-44	59
471 6858-86	35	471 8234-53	51	471 8401-02	43	471 8910-45	59
471 6859-66	35	471 8234-56*	51	471 8454-07	7	471 8910-48	59
471 6860-15	51	471 8234-58*	51	471 8454-07	11	471 8910-49	59
471 6860-15	53	471 8234-92	51	471 8502-14	13	471 8910-51	59
471 6860-15	55	471 8234-92	53	471 8502-14	25	471 8910-54	61
471 6860-16	51	471 8234-92	55	471 8502-25	13	471 8910-55	61
471 6860-16	53	471 8234-94	37	471 8502-26	25	471 8910-56	61
471 6860-16	55	471 8234-94	51	471 8524-01	25	471 8910-57	59
471 6860-17	51	471 8234-94	53	471 8628-21	37	471 8910-58	59
471 6860-17	53	471 8234-94	55	471 8688-13	35	471 8910-59	59
471 6860-17	55	471 8234-95	51	471 8688-13	39	471 8910-62	59
471 6860-18	51	471 8234-95	53	471 8750-07	27	471 8910-66	61
471 6860-18	53	471 8234-95	55	471 8750-07	29	471 8910-70	59
471 6860-18	55	471 8234-96	51	471 8750-14	27	471 8910-73	59
471 6860-19	51	471 8234-96	53	471 8750-14	29	471 8910-74	59
471 6860-19	53	471 8234-96	55	471 8756-01	27	471 8910-75	61
471 6860-19	55	471 8234-98	51	471 8756-01	29	471 8910-77	61
471 6860-20	51	471 8234-98	53	471 8756-51	27	471 8910-79	59
471 6860-20	53	471 8234-98	55	471 8756-51	29	471 8910-81	61
471 6860-20	55	471 8235-51*	53	471 8756-52	27	471 8910-82	61
471 7593-01	43	471 8235-54	53	471 8756-52	29	471 8910-84*	61
471 7691-01	49	471 8235-57	53	471 8759-01	27	471 8910-85	59
471 7700-12	25	471 8235-58*	53	471 8759-01	29	471 8910-86	59
471 7801-07	39	471 8235-59	53	471 8760-01	29	471 8910-87	61
471 7804-01	49	471 8235-60*	53	471 8778-01	29	471 8910-89	59
471 7807-02	13	471 8235-62*	53	471 8778-02	27	471 8910-90	61
471 7826-99	63	471 8236-52*	55	471 8778-02	29	471 8910-90	63
471 7829-01	61	471 8236-56*	55	471 8780-32	29	471 8910-91	61
471 7829-01	63	471 8236-57*	55	471 8859-53	27	471 8910-91	63
471 7835-01	15	471 8236-60*	55	471 8859-55	27	471 8910-92	59
471 7835-01	17	471 8236-62*	55	471 8910-02	59	471 8910-93	59
471 7864-02	13	471 8236-64*	55	471 8910-03	59	471 8919-01*	61
471 7864-02	49	471 8236-65	55	471 8910-04	59	471 8966-01	61
471 7864-02	57	471 8236-66	55	471 8910-06	59	471 8966-02	61
471 7865-03	27	471 8236-68*	55	471 8910-07	59	471 8966-03	61
471 7865-03	29	471 8243-04	37	471 8910-08	59	471 8966-04	61
471 7871-02	39	471 8243-05	37	471 8910-09	59	471 8966-05	61
471 7871-04	45	471 8269-01	13	471 8910-10	59	471 8966-06	61
471 7871-05	35	471 8269-01	35	471 8910-11	59	471 8966-07	61
471 7871-05	45	471 8311-01	15	471 8910-12	59	471 8966-11	63
471 7871-06	35	471 8311-01	17	471 8910-13	59	471 8966-12	63

Numerical index/Nummerregister

Art.No/Art.nr	Page/Sida	Art.No/Art.nr	Page/Sida	Art.No/Art.nr	Page/Sida	Art.No/Art.nr	Page/Sida
471 8966-15	63	472 9901-37	15	472 9904-20	11	736 2843-51	47
471 8986-01	19	472 9901-37	17	472 9904-21	11	736 2849-51	49
471 8986-02	19	472 9901-42	25	472 9904-22	11	762 2109-05	29
471 8987-03	27	472 9901-43	7	472 9904-23	11	762 3131-01	49
471 8987-21	27	472 9901-50	7	472 9904-24	11	762 9102-05	63
471 8987-22	29	472 9901-77	15	472 9904-25	11	877 5211-08	37
471 8988-02	21	472 9901-77	17	472 9904-26	11	877 5211-08	47
471 8988-02	23	472 9901-78*	25	472 9904-27	11		
471 9035-20	27	472 9901-79	15	472 9904-28	11		
471 9035-20	29	472 9901-80	15	472 9904-29	11		
471 9222-59	25	472 9901-81	13	472 9904-30	11		
471 9529-11	27	472 9901-82	7	472 9904-31	11		
471 9529-11	29	472 9901-83	7	472 9904-32	11		
471 9558-11	29	472 9901-84	7	472 9904-33	11		
471 9629-02	29	472 9901-85	7	472 9904-48	13		
471 9649-01	27	472 9901-86	7	472 9904-49	29		
471 9652-02	19	472 9901-87	9	472 9904-74	13		
471 9654-03	15	472 9901-87	11	472 9904-80	9		
471 9654-03	17	472 9901-88	9	472 9904-80	11		
471 9656-01	19	472 9901-88	11	472 9904-83	25		
471 9656-02	19	472 9901-89	9	472 9913-22	25		
471 9656-03	19	472 9901-89	11	721 1252-35	49		
471 9657-01	19	472 9901-90	9	724 1218-01	61		
471 9657-02	19	472 9901-91	9	724 1224-01	63		
471 9660-51	29	472 9901-96*	25	724 1226-61	61		
471 9727-01	49	472 9903-01	7	725 2289-61	61		
471 9740-51	13	472 9903-02	7	725 2327-61	45		
471 9740-52	13	472 9903-03	7	725 2449-51	63		
471 9740-53	13	472 9903-04	7	725 2461-51	13		
471 9813-01	25	472 9903-05	7	725 2463-71	13		
472 5758-01	21	472 9903-06	7	725 5337-01	15		
472 5758-02	21	472 9903-07	7	725 6297-01	15		
472 5758-03	21	472 9903-08	7	725 6297-01	17		
472 5758-05	21	472 9903-09	7	729 5225-01	61		
472 5758-06	21	472 9903-10	7	731 2312-01	49		
472 5758-07	21	472 9903-11	7	731 2312-01	61		
472 5759-01	21	472 9903-12	7	731 2312-01	63		
472 5759-02	21	472 9903-13	7	731 2316-42	25		
472 5760-01	21	472 9903-14	7	732 2110-01	63		
472 5774-01	23	472 9903-15	7	732 2114-01	49		
472 5774-02	23	472 9903-16	7	732 2118-01	13		
472 5777-01	23	472 9903-17	7	732 2118-01	25		
472 6006-02	43	472 9903-18	7	732 2118-01	63		
472 6012-00	49	472 9903-19	7	732 2120-01	13		
472 6013-00	49	472 9903-20	7	734 1146-09	17		
472 6015-00	49	472 9903-40	7	734 1153-09	57		
472 6016-00	49	472 9903-42	57	735 1164-01	63		
472 6017-00	49	472 9903-45	43	735 2136-01	27		
472 6082-01	19	472 9903-46	43	735 2136-01	29		
472 6723-01	63	472 9903-57*	13	735 2146-01	15		
472 6761-01	37	472 9903-72	35	735 2146-01	17		
472 7744-01	61	472 9903-78	25	735 2146-01	45		
472 8720-01	17	472 9903-81	39	735 2146-01	49		
472 8754-20	49	472 9903-82	39	735 2164-01	63		
472 8754-21	49	472 9903-83	7	736 2816-51	37		
472 8762-01	15	472 9903-84	7	736 2816-51	47		
472 8762-01	17	472 9903-95	17	736 2819-51	35		
472 8969-03	27	472 9903-96	17	736 2819-51	47		
472 8969-03	29	472 9904-12	11	736 2825-51	35		
472 9901-25	13	472 9904-13	11	736 2828-51	35		
472 9901-26	13	472 9904-14	11	736 2837-51	35		
472 9901-28	15	472 9904-15	11	736 2837-51	45		
472 9901-29	15	472 9904-16	11	736 2840-51	13		
472 9901-29	17	472 9904-17	11	736 2840-51	35		
472 9901-34	41	472 9904-18	11	736 2840-51	45		
472 9901-35	27	472 9904-19	11	736 2840-51	49		

Numerical index/Nummerregister

Art.No/Art.nr	Page/Sida	Art.No/Art.nr	Page/Sida	Art.No/Art.nr	Page/Sida	Art.No/Art.nr	Page/Sida



 **Electrolux**  

---

**Wascator**

Electrolux Wascator AB, Spare Parts Division, 341 80 Ljungby, Sweden  
Phone +46 372 661 00. Fax +46 372 861 75. E-mail: [spare.parts@wascator.electrolux.se](mailto:spare.parts@wascator.electrolux.se)